

# Installation & Assembly

## IMPORTANT!!! BEFORE YOU BEGIN

1. Inspect the product immediately upon receipt for transit damage, missing parts or manufacturing faults.
2. Handle the product with care and protect against knocks to all sides and edges of the glass.
3. Fixings supplied are for use in solid walls, hollow or stud walls will require specialist fixings available from your hardware supplier
4. Make sure that you have all the tools you need to complete the job (SEE BELOW)
5. Ensure there are no hidden pipes or cables in the wall before drilling.
6. If drilling holes in ceramic tiles use a piece of masking tape on the tile to stop the drill bit from slipping.

## ERECTING TOOL



## IMPORTANT

Bathrooms is subject to the appropriate building code Regulations. This product is NOT suitable for outside zones. It is also NOT suitable for installation in saunas, steam rooms or shower cubicles. This product is only suitable for permanent installation

## INSTALLATION CARE & SAFETY

Wear suitable eye protection when drilling. Take care when using power tools. Beware of hidden cables or pipes. Take care if drilling on tiled surfaces in case the drill slips. A piece of masking tape applied to the wall before marking out the fixing holes will stop the drill from wandering.

## AFTERCARE INSTRUCTIONS

1. Do not touch the mirror with wet hands or wipe the mirror with a damp cloth to avoid increasing the moisture pouring in;
2. Keep the mirror away from salt, grease and acid, which can corrode the mirror;
3. The mirror should be wiped with soft dry cloth or cotton to prevent the mirror from being brushed;
4. Use soft cloth or emery cloth, dip in some kerosene or wax to wipe;
5. Wipe the mirror and picture frame with a rag dipped in milk to make it clear and bright.

## IMPORTANT!!!

DO NOT strike glass components with hard or pointed items. DO NOT place very hot or very cold items against or in close proximity to glass surfaces unless an adequately thick insulation material is used to prevent such items coming in contact with the glass. The nominal thickness of the mirror glass used in this product is 1/8" and is film backed for safety. If the glass becomes chipped or broken replace immediately.

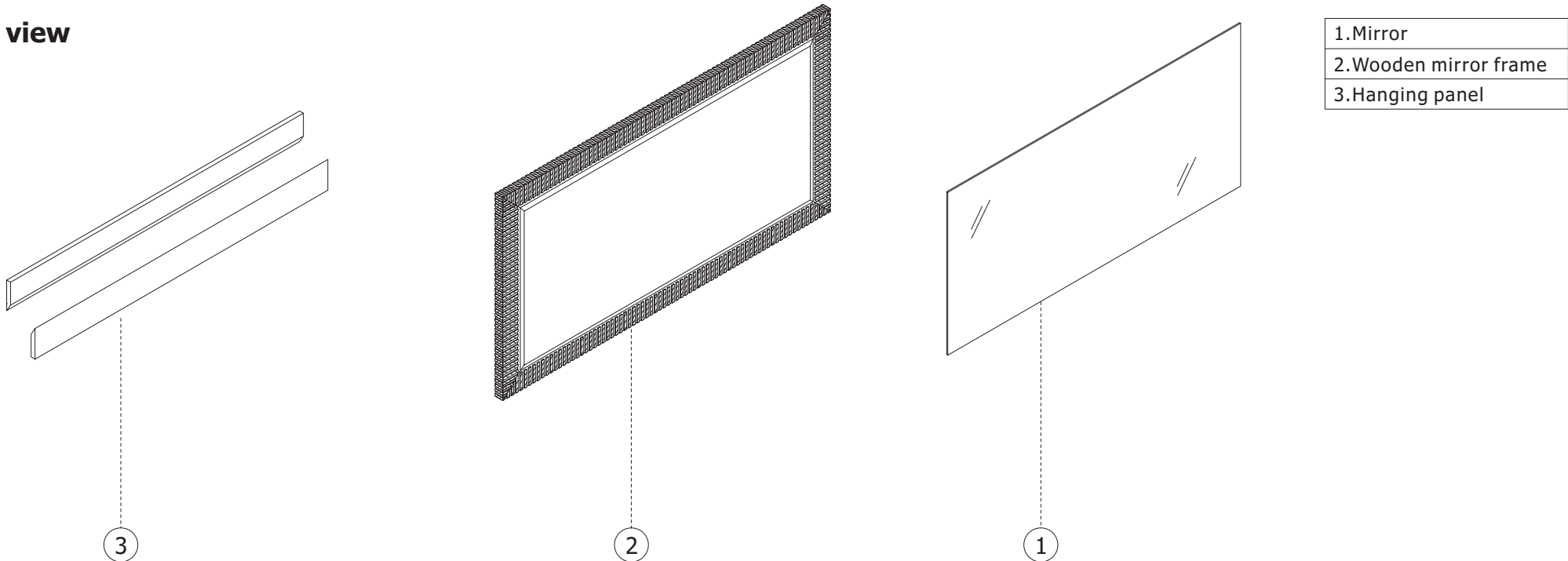
## CLEANING

Wash with a soft, dry, non-ground cloth. Do not use cleaners or abrasive materials on any type of surface.

## INSTALLATION INSTRUCTIONS

1. Using the template, mark the wall with a pencil.
2. Ensure that the mirror cabinet is level and check there are no hidden pipes or cables before drilling.
3. Wearing suitable eye protection, drill 4 holes using a 6mm drill bit and fix the screws in place leaving the end of the screw head protruding from the wall.
4. Carefully hang the mirror.

## Exploded view

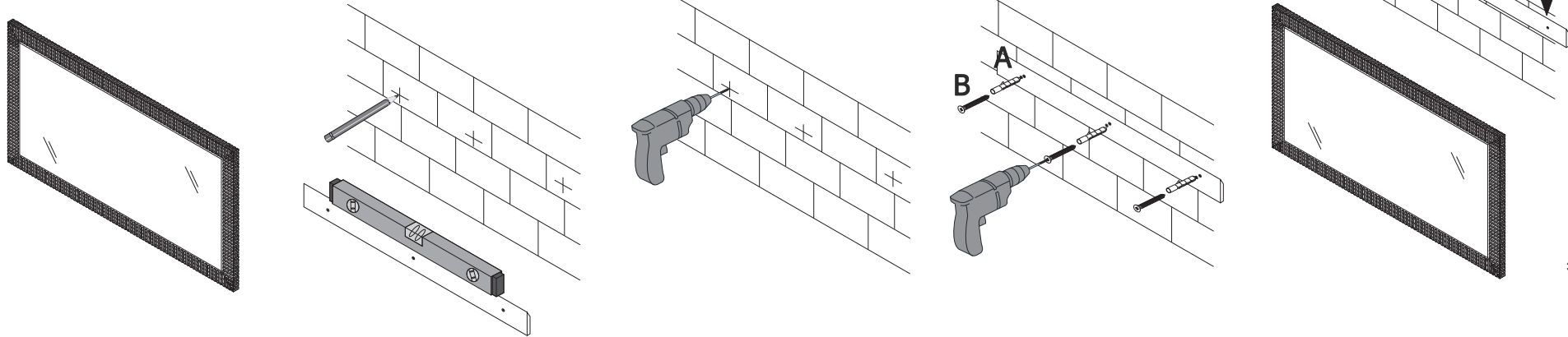


# INSTALLATION INSTRUCTIONS

**\*It IS HIGHLY RECOMMENDED THAT TWO PEOPLE INSTALL THE CASE TOGETHER\***

## Installation Instructions:

1. Measure the hook position and mark the wall with a pen.
2. Drill holes in the wall with a drill bit.
3. Secure the hanger in the desired position.
4. Hang up the mirror and shake it from side to side to see if it's stable



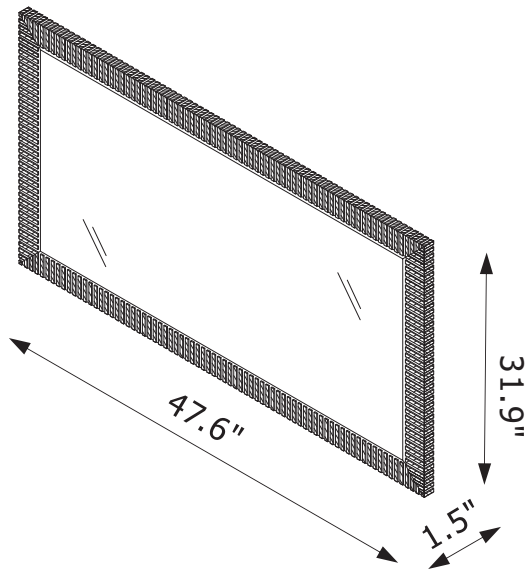
**Screw :**

**A**  X3

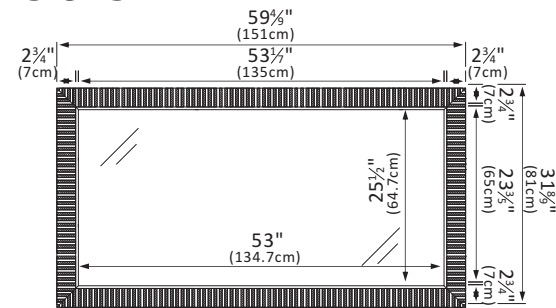
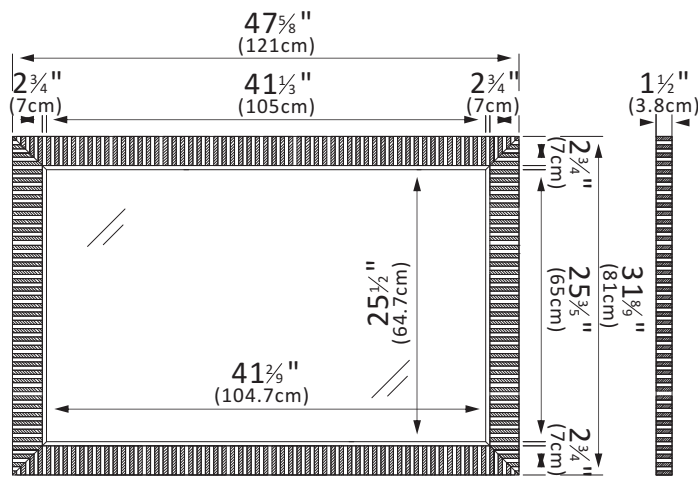
**B**  X3

**\*A,B applies only to solid walls**

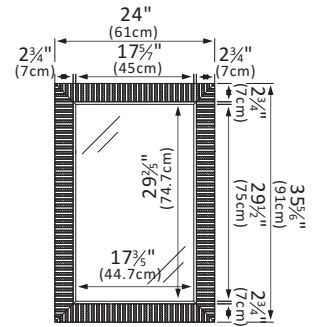
## Recessed Opening Dimensions



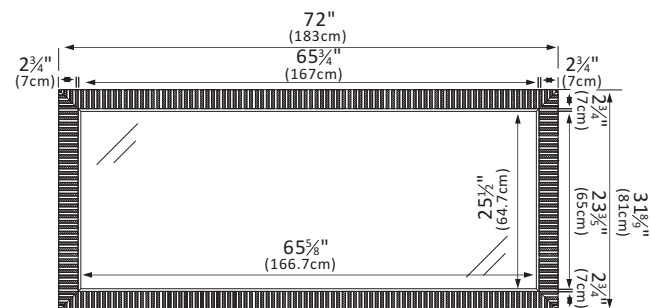
•47<sup>5</sup>/<sub>8</sub>W×1<sup>1</sup>/<sub>2</sub>D×31<sup>9</sup>/<sub>16</sub>H  
•121W×3.8D×81H cm



•59<sup>1</sup>/<sub>2</sub>W×1<sup>1</sup>/<sub>2</sub>D×31<sup>1</sup>/<sub>8</sub>H  
•151W×3.8D×81H cm



•24W×1<sup>1</sup>/<sub>2</sub>D×35<sup>5</sup>/<sub>8</sub>H  
•61W×3.8D×91H cm



•72W×1<sup>1</sup>/<sub>2</sub>D×31<sup>1</sup>/<sub>8</sub>H  
•183W×3.8D×81H cm