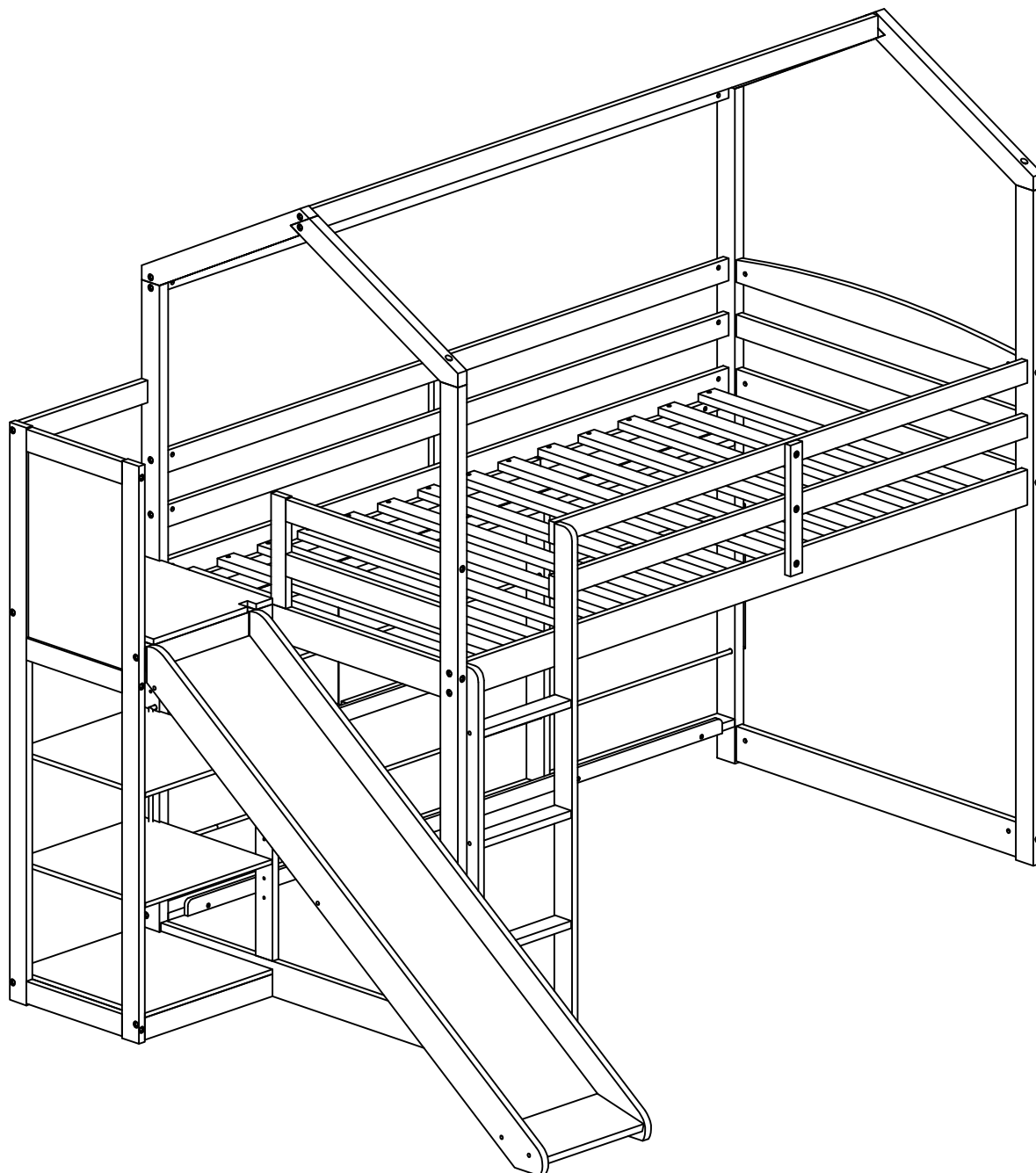


ASSEMBLY INSTRUCTION



! SAFETY WARNINGS !

1. This bed is designed for use only mattress (es) meeting the following specifications on the upper bunk, and lower bunk

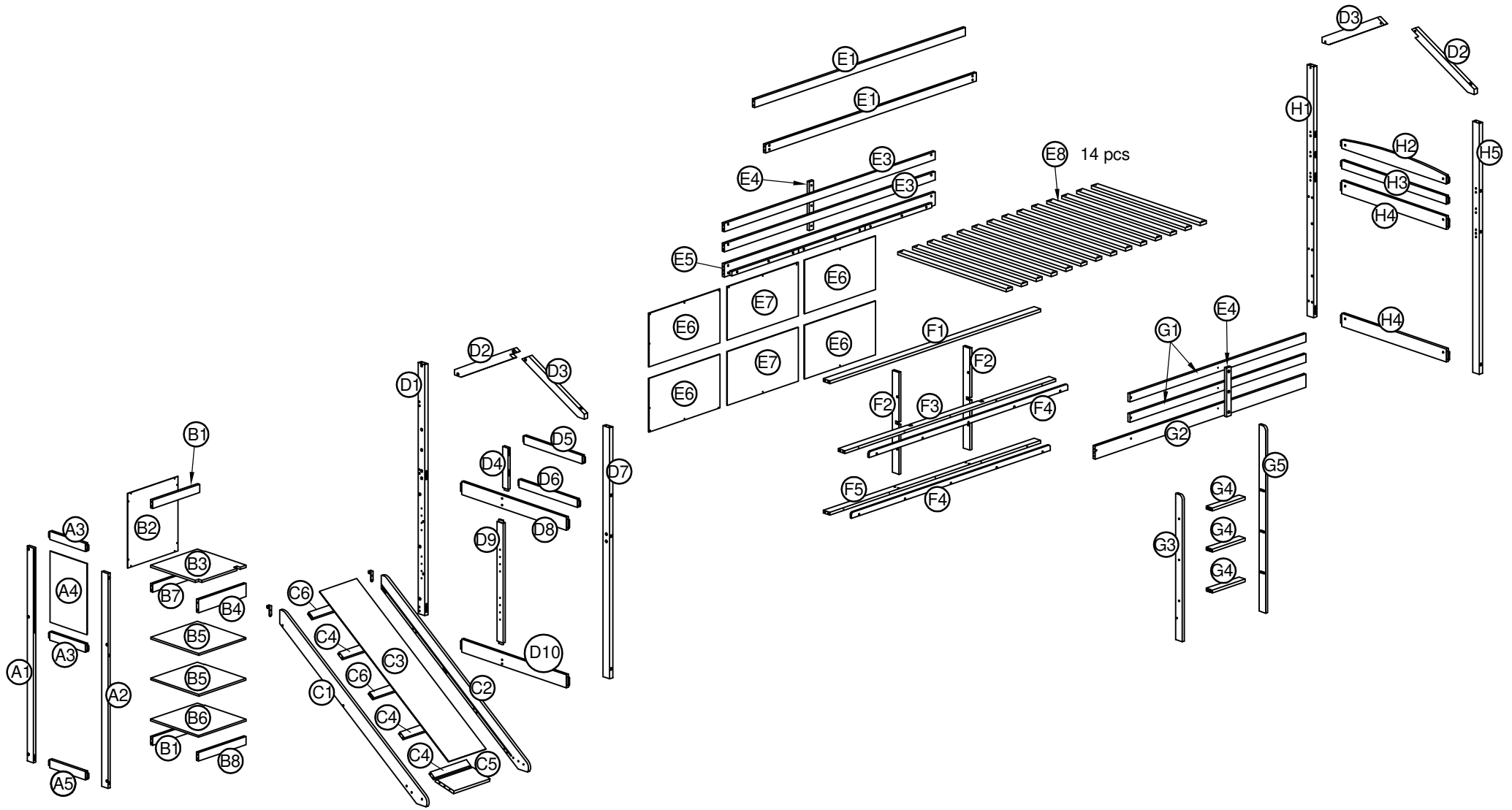
Upper bed Bed Type	Length	Width	Thickness
<i>Twin Standard</i>	<i>74" - 75"</i>	<i>38 1/2"</i>	<i>6" max</i>

2. Replacement parts, including additional guardrails, maybe obtained from any of our dealers
3. Follow the information on the warnings appearing on the upper bunk bed end structure and on the carton. Do not remove warning label from bed
4. Always use the recommended size mattresses or mattress supports, or both, to help prevent the likelihood of entrapment or falls.
5. Surface of mattress must be at least 5" (127mm) below the upper edge of guardrails
6. Do not allow children under 6 years of age to use the upper bunk.
7. Periodically check and ensure that the guardrail, ladder, and other components are in their proper position, free from damage, and that all connectors are tight.
8. Do not allow horseplay on or under the bed and prohibit jumping on the bed.
9. Always use the ladder for entering and leaving the upper bunk.
10. Do not use substitute part. Contact the manufacture or dealer for replacement part
11. Use of a night light may provide added safety precaution for a child using the upper bunk..
12. Always use guardrails on both long sides of the upper bunk. If the bunk bed will be placed next to the wall, the guardrail that runs the full length of the bed should be placed against the wall to prevent entrapment between the bed and wall.
13. The use of water or sleep flotation mattresses is prohibited
14. **STRANGULATION HAZARD** - Never attach or hang items to any part of the bunk bed that are not designed for use with the bed; for example, but not limited to, hook, belts and jump ropes
15. Keep these instruction for future reference
16. Prohibit more than one person on upper bunk
17. We recommend assembling your bunk bed on the shipping carton to protect your floor or carpet
18. Be certain all staples are out of the box before beginning assembly on the shipping carton.

! SAFETY WARNINGS !

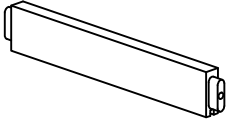
1. At the beginning :
Tighten all hardware.
Check metal parts for rust. If found, sand and repaint using a non-lead-based paint meeting the requirements of 16 CFR 1303.
Check all wood members for deterioration and splinters. Sand down splinters and replace deteriorating wood members.
Rake and check depth of loose fill protective surfacing materials to prevent compaction and to maintain appropriate depth. Replace as necessary.
2. Twice a month
Tighten all hardware.
Rake and check depth of loose fill protective surfacing materials to prevent compaction and to maintain appropriate depth. Replace as necessary.
3. Owners shall be responsible for maintaining the legibility of the warning labels.
4. Disposal Instructions-There shall be instructions advising the owner to disassemble and dispose of the playground equipment in such a way that no unreasonable hazards will exist at the time the playground equipment is discarded.
5. The instructions shall also include the information found in Section 4 of the United States Consumer Product Safety Commission's (USCPSC) Outdoor Home Playground Safety Handbook or specific surfacing guidelines for the product consistent with the USCPSC Handbook. A copy of this section may be found in Appendix X2.
6. Observing the following statements and warnings reduces the likelihood of serious or fatal injury.
7. Specifying the number and weight of occupants that may safely use the equipment singly or simultaneously,
8. Recommending on-site adult supervision for children of all ages,
9. Warning the owner to instruct children not to use the equipment in a manner other than intended,
10. Warning the owner to instruct children not to get off equipment while it is in motion,
11. Warning the owner not to allow children to wear inappropriate items, such as but not limited to, loose fitting clothing, hood and neck drawstrings, scarves, cord-connected items, capes and ponchos. These items can cause death by strangulation.
12. Warning the owner to instruct children not to climb when the equipment is wet.
13. Warning the owner to instruct children not to attach items to the playground equipment that are not specifically designed for use with the equipment, such as, but not limited to, jump ropes, clothesline, pet leashes, cables and chain as they may cause a strangulation hazard
14. Warning the owner to instruct children to remove their bike or other sports helmet before playing on the playground equipment.
15. Warning the owner to dress children with well-fitting and full foot enclosing footwear. Examples of inappropriate footwear are clogs, flip flops, and sandals.
16. Place the equipment on level ground, not less than 6 ft (1.8 m) from any structure or obstruction such as a fence, garage, house, overhanging branches, laundry lines, or electrical wires
17. Do not install home playground equipment over concrete, asphalt, packed earth, grass, carpet, or any other hard surface. A fall onto a hard surface can result in serious injury or death to the equipment user
18. To prevent serious injury, cautionary statements shall be included which warn that children must not use the equipment until properly installed.

ASSEMBLY INSTRUCTION



Part List & Hardware List(Box 1)

A3



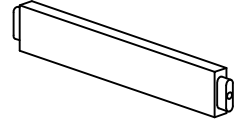
Wood Bar - 02 pcs

A4



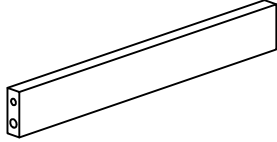
Side panel - 01 pc

A5



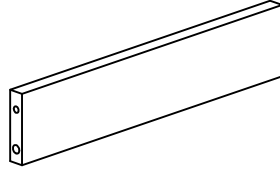
Wood Bar - 01 pc

B1



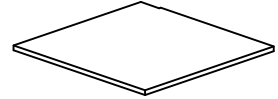
Wood Bar - 02 pcs

B4



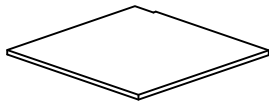
Wood Bar - 01 pc

B5



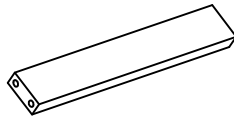
Middle panel - 02 pcs

B6



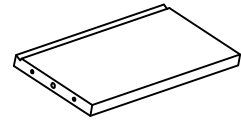
Bottom panel - 01 pc

C4



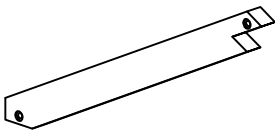
Wood Bar - 03 pcs

C5



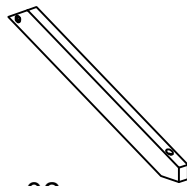
Panel - 01 pc

D2



Wood Bar - 02 pcs

D3



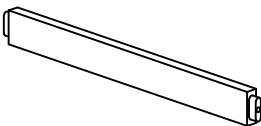
Wood Bar - 02 pcs

D4



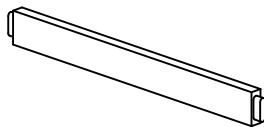
Wood bar - 01 pc

D5



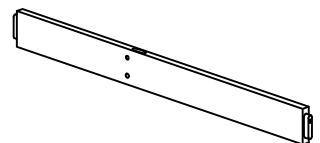
Wood bar - 01 pc

D6



Wood bar - 01 pc

D8



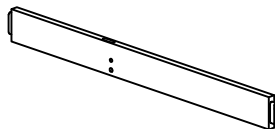
Wood Bar - 01 pc

D9



Wood bar - 01 pc

D10



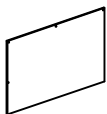
Wood bar - 01 pc

E4



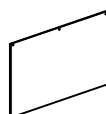
Wood bar - 02 pcs

E6



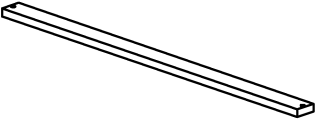

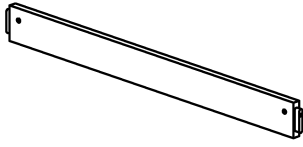


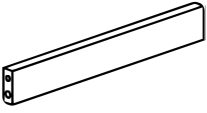
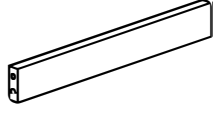
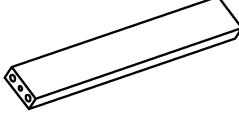
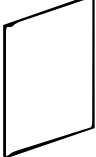
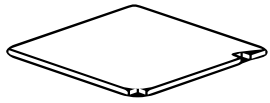
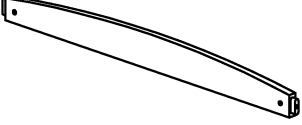
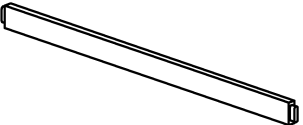
Back panel - 04 pcs

E7



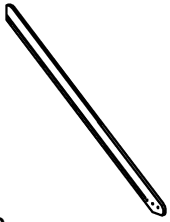
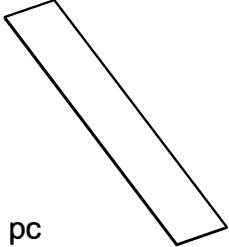
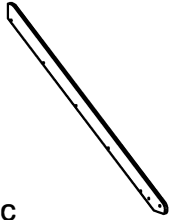


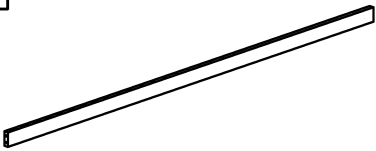
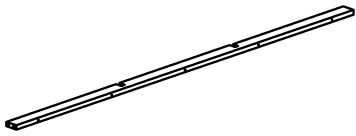
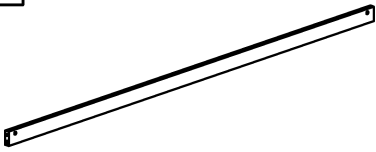
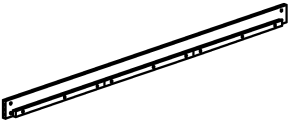

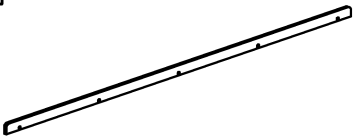
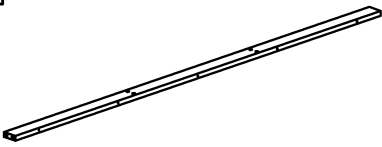
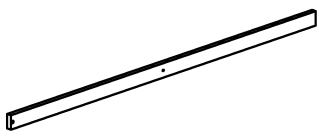
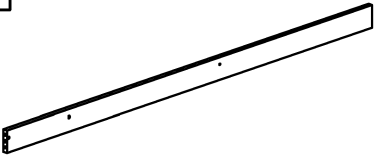





Back panel - 02 pcs


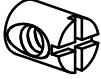
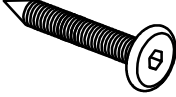


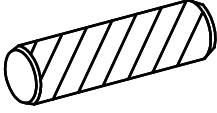
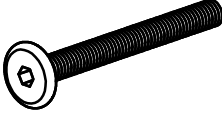


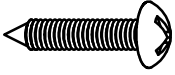



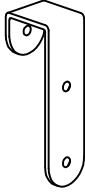
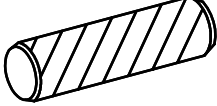



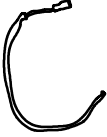
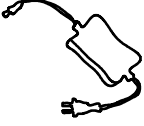
Part List & Hardware List(Box 1)

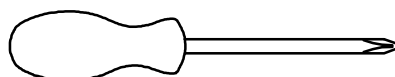
<p>E8</p>  <p>Slat - 14 pcs</p>	<p>F2</p>  <p>Wood bar - 02 pcs</p>	<p>H4</p>  <p>Wood bar - 02 pcs</p>
<p>G3</p>  <p>Wood bar - 01 pc</p>	<p>G4</p>  <p>Wood bar - 03 pcs</p>	<p>B7</p>  <p>Wood bar - 01 pc</p>
<p>B8</p>  <p>Wood bar - 01 pc</p>	<p>C6</p>  <p>Wood bar - 02 pcs</p>	<p>B2</p>  <p>Back panel - 01 pc</p>
<p>B3</p>  <p>Top panel - 01 pc</p>	<p>H2</p>  <p>Wood Bar - 01 pc</p>	<p>H3</p>  <p>Wood bar - 01 pc</p>

Part List (Box 2)

<p>A1</p>  <p>Wood Bar - 01 pc</p>	<p>A2</p>  <p>Wood Bar - 01 pc</p>	<p>C2</p>  <p>Wood Bar - 01 pc</p>
<p>C3</p>  <p>Panel - 01 pc</p>	<p>C1</p>  <p>Wood Bar - 01 pc</p>	<p>D1</p>  <p>Leg - 01 pc</p>
<p>D7</p>  <p>Leg - 01 pc</p>	<p>E1</p>  <p>Wood bar - 02 pcs</p>	<p>F3</p>  <p>Wood bar - 01 pc</p>
<p>E3</p>  <p>Wood bar - 02 pcs</p>	<p>E5</p>  <p>Side rail - 01 pc</p>	<p>F1</p>  <p>Wood bar - 01 pc</p>
<p>F4</p>  <p>Wood bar - 02 pcs</p>	<p>F5</p>  <p>Wood bar - 01 pc</p>	<p>G1</p>  <p>Wood bar - 02 pcs</p>
<p>G2</p>  <p>Side rail - 01 pc</p>	<p>G5</p>  <p>Wood bar - 01 pc</p>	<p>H1</p>  <p>Leg - 01 pc</p>
<p>H5</p>  <p>Leg - 01 pc</p>		



Hardware List(Box1)

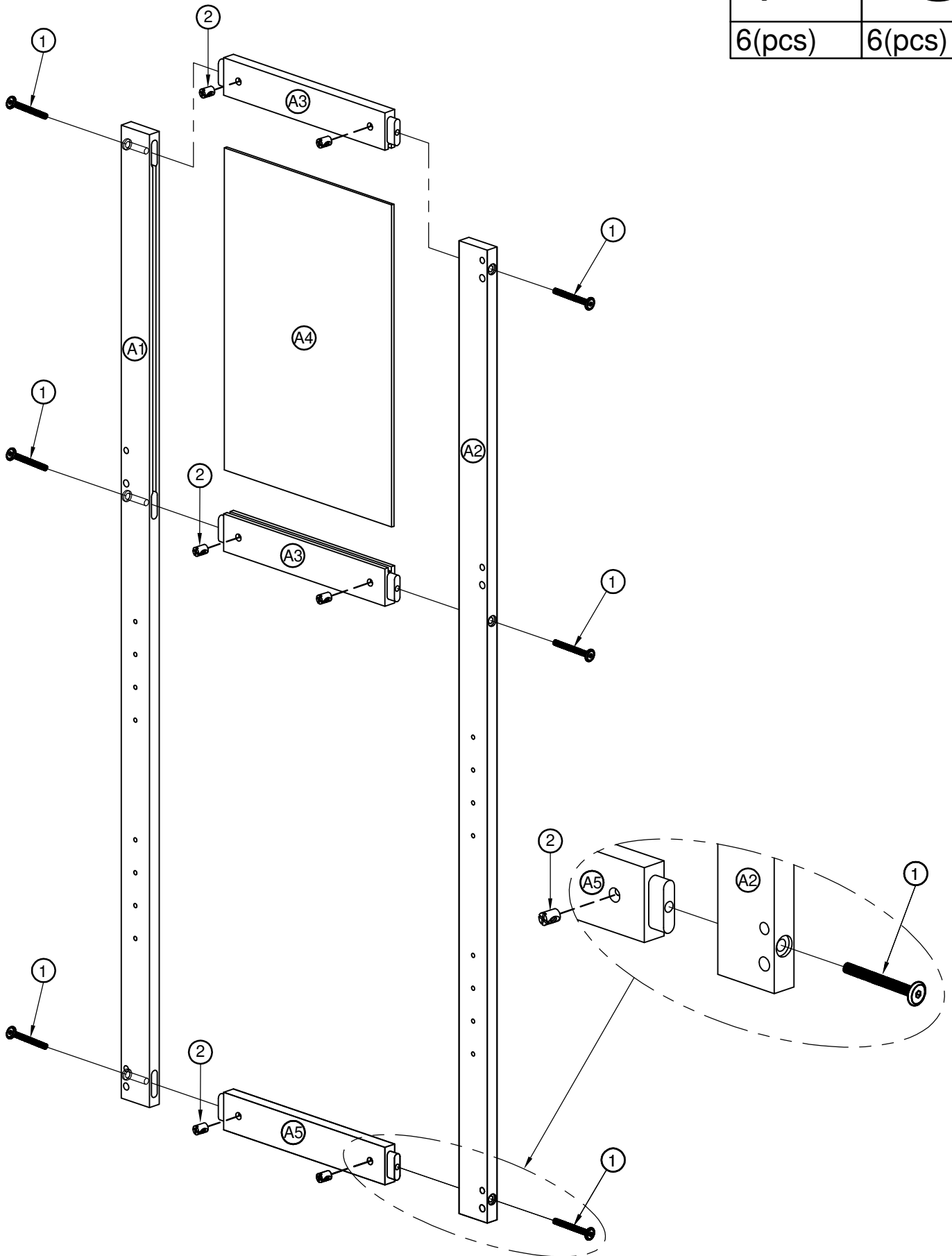
<p>1</p>  <p style="text-align: center;">Ø1/4" x 100 mm Hex-Head bolts 18 pcs</p>	<p>2</p>  <p style="text-align: center;">Ø1/4" x 11 mm Horizontal-Hole bolts 71 pcs</p>	<p>3</p>  <p style="text-align: center;">Screws 1/4" x30 10 pcs</p>
<p>4</p>  <p style="text-align: center;">Ø1/4" x 60 mm Hex-Head bolts 22 pcs</p>	<p>5</p>  <p style="text-align: center;">Screws 1/4" x40 11 pcs</p>	<p>6</p>  <p style="text-align: center;">Ø10 x 40 mm Wood dowel 30 pcs</p>
<p>7</p>  <p style="text-align: center;">Ø1/4" x 80 mm Hex-Head bolts 28 pcs</p>	<p>8</p>  <p style="text-align: center;">Screws M4 x30 42 pcs</p>	<p>9</p>  <p style="text-align: center;">Allen key 1 pc</p>
<p>10</p>  <p style="text-align: center;">Screws M3.5 x15 45 pcs</p>	<p>11</p>  <p style="text-align: center;">Screws M4 x20 6 pcs</p>	<p>12</p>  <p style="text-align: center;">Bracket 8 pcs</p>
<p>13</p>  <p style="text-align: center;">Screws M3 x12 8 pcs</p>	<p>14</p>  <p style="text-align: center;">Bracket 2 pcs</p>	<p>15</p>  <p style="text-align: center;">Ø8 x 30 mm Wood dowel 22 pcs</p>
<p>16</p>  <p style="text-align: center;">White plastic drawstring 1 pc</p>	<p>17</p>  <p style="text-align: center;">Screws 1/4" x80 4 pcs</p>	<p>18</p>  <p style="text-align: center;">Ø1/4" x 120 mm Hex-Head bolts 3 pcs</p>
<p>19</p>  <p style="text-align: center;">Led light cable 1 pc</p>	<p>20</p>  <p style="text-align: center;">Power cord 1 pc</p>	



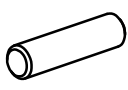




Assembly Tools Required (Not Included)

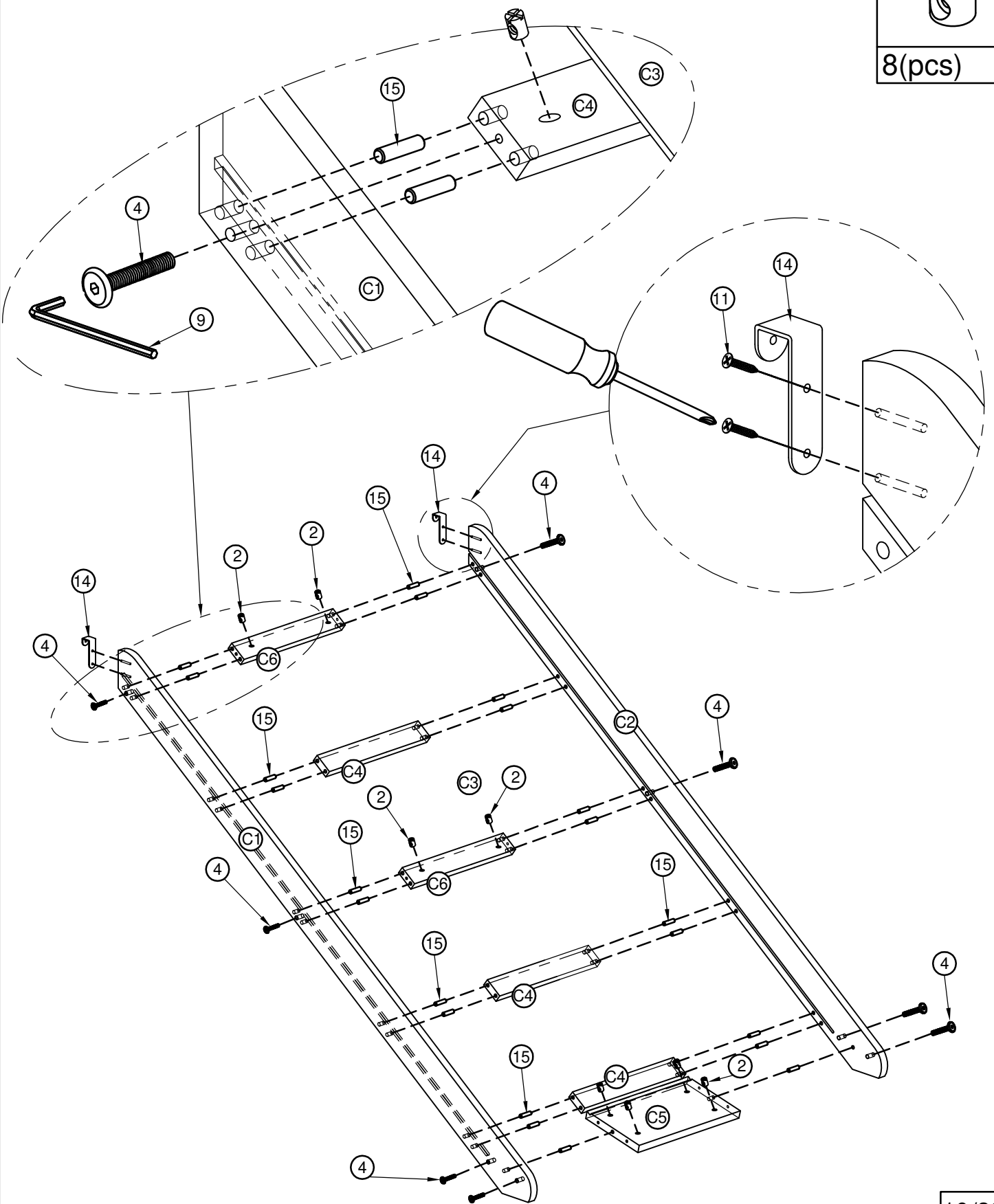
STEP 1: Following below illustration.

1	2
	
6(pcs)	6(pcs)

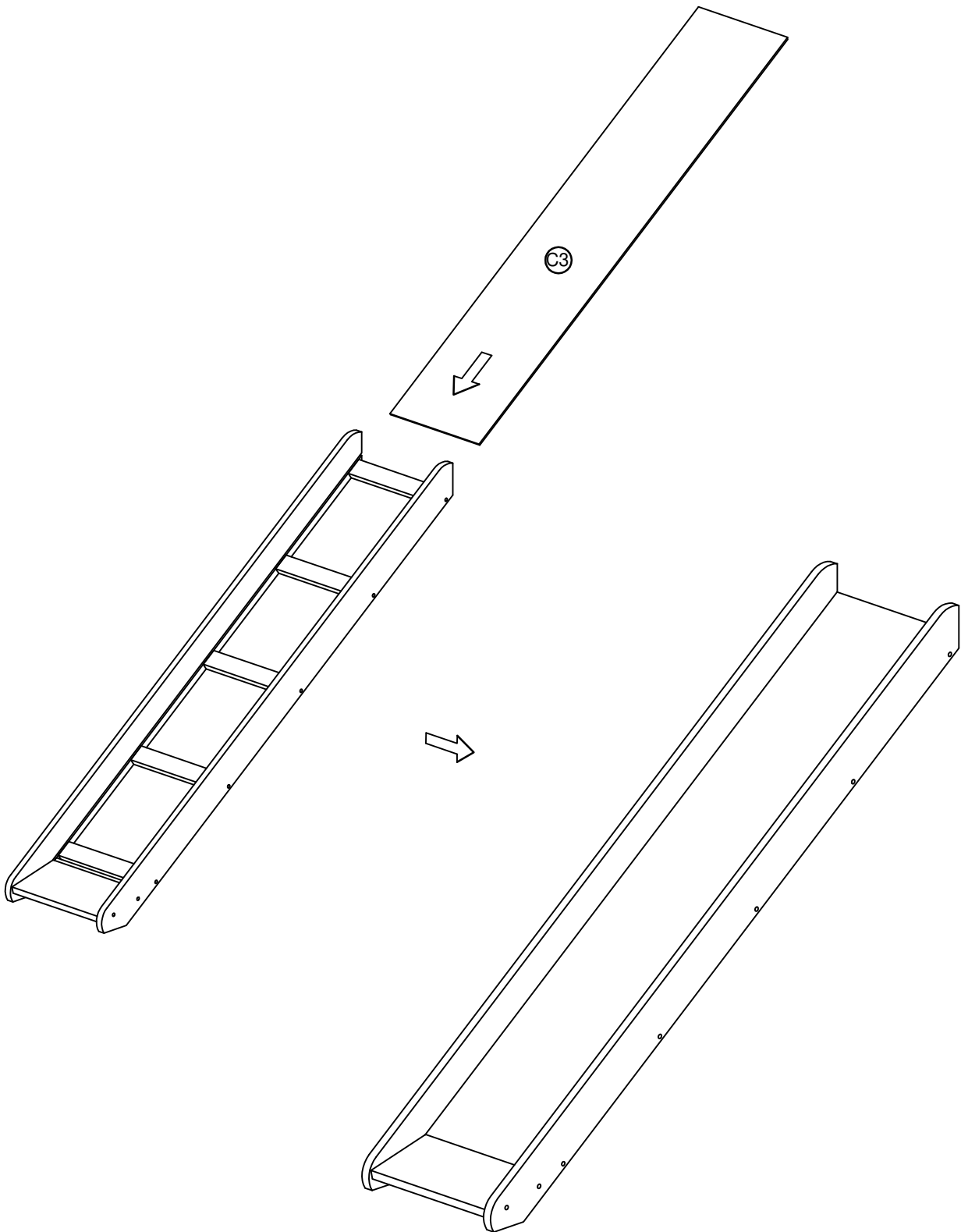


STEP 2: Following below illustration.

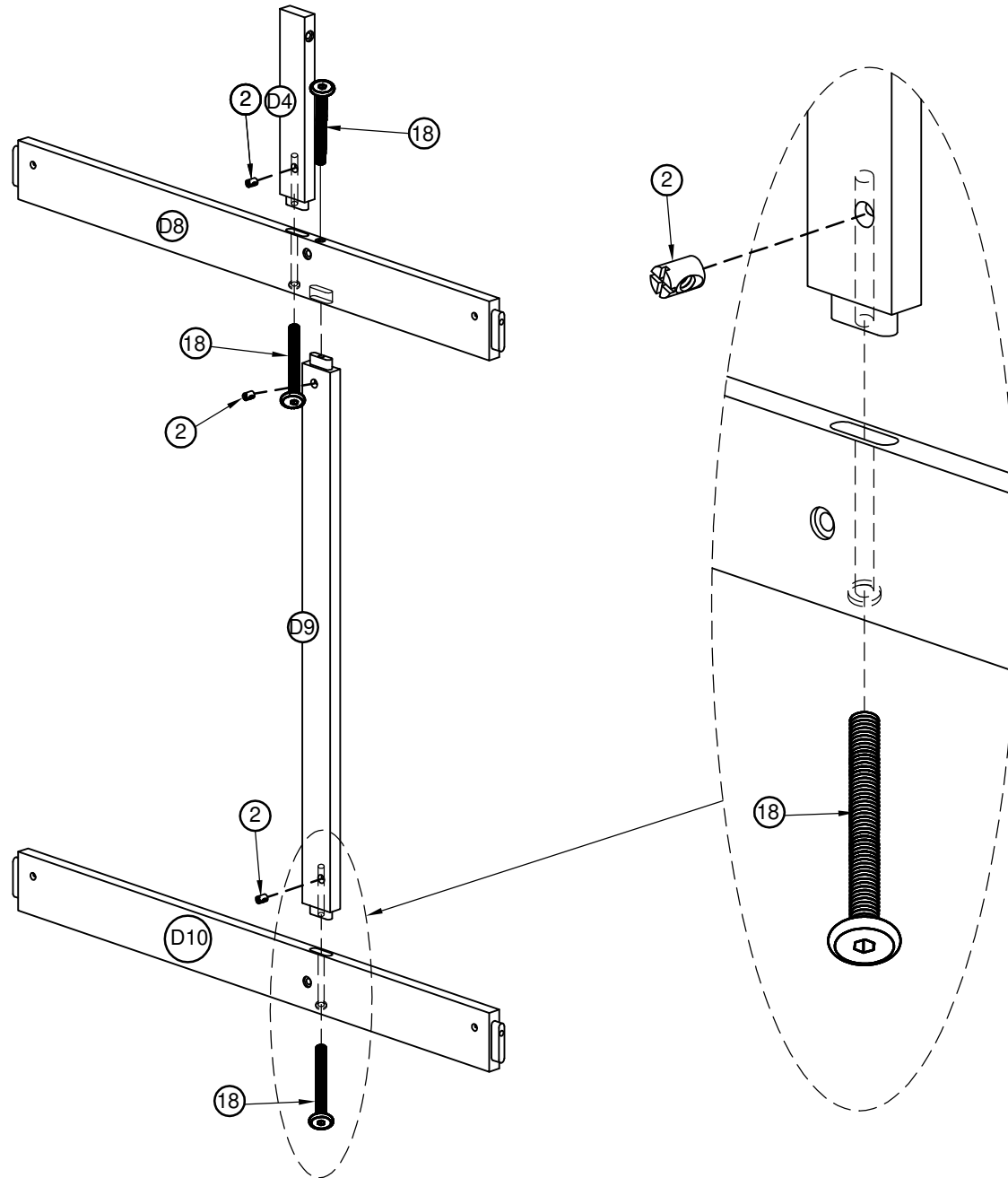
<p>15</p> 	<p>4</p> 	<p>14</p> 	<p>11</p> 
<p>22(pcs)</p>	<p>8 (pcs)</p>	<p>2(pcs)</p>	<p>4(pcs)</p>
			<p>2</p> 
			<p>8(pcs)</p>



STEP 3: Following below illustration.



STEP 4: Following below illustration.



18







3(pcs)

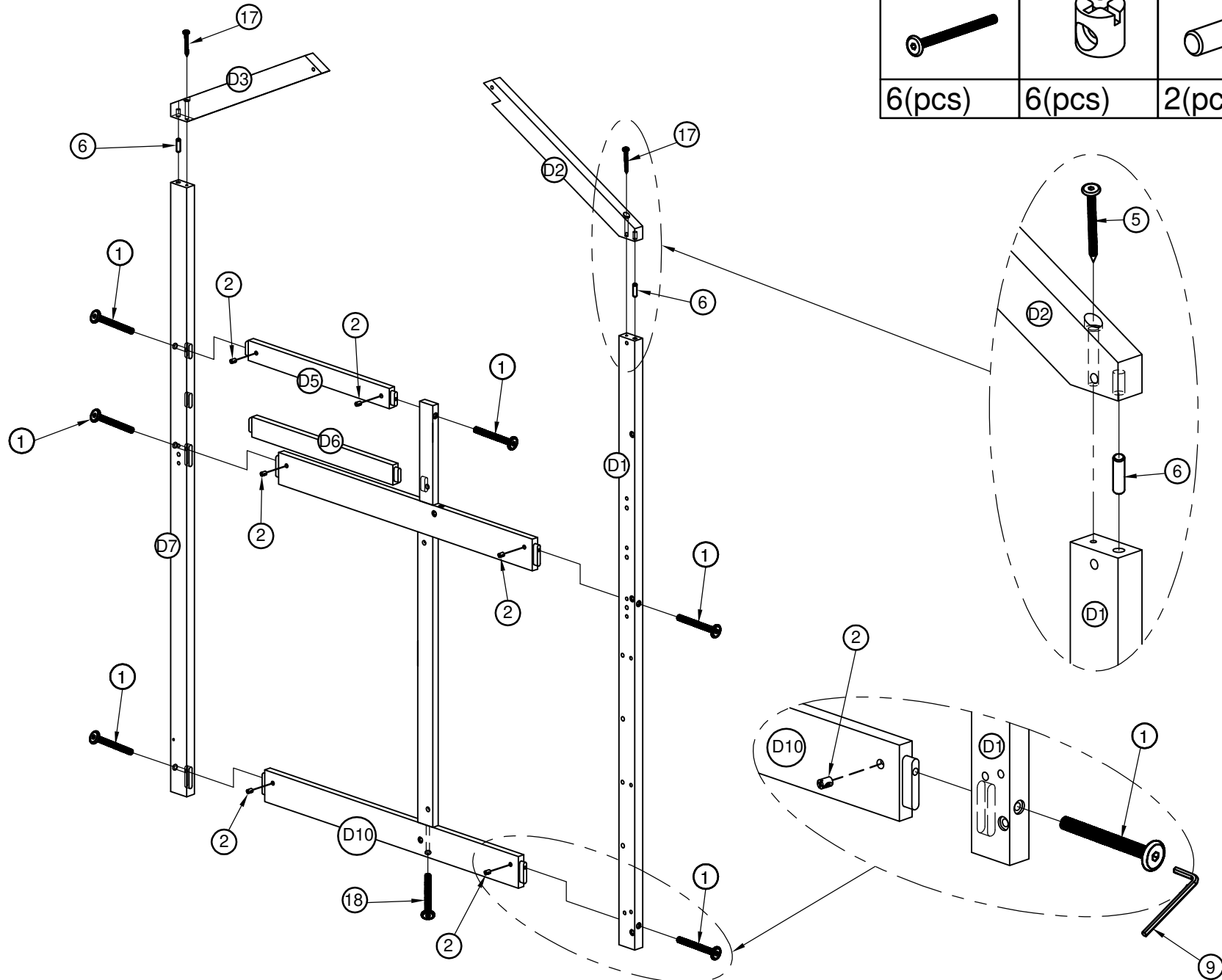
2



3(pcs)

STEP 5: Following below illustration.

<p>1</p> 	<p>2</p> 	<p>6</p> 	<p>17</p> 
<p>6(pcs)</p>	<p>6(pcs)</p>	<p>2(pcs)</p>	<p>2 (pcs)</p>

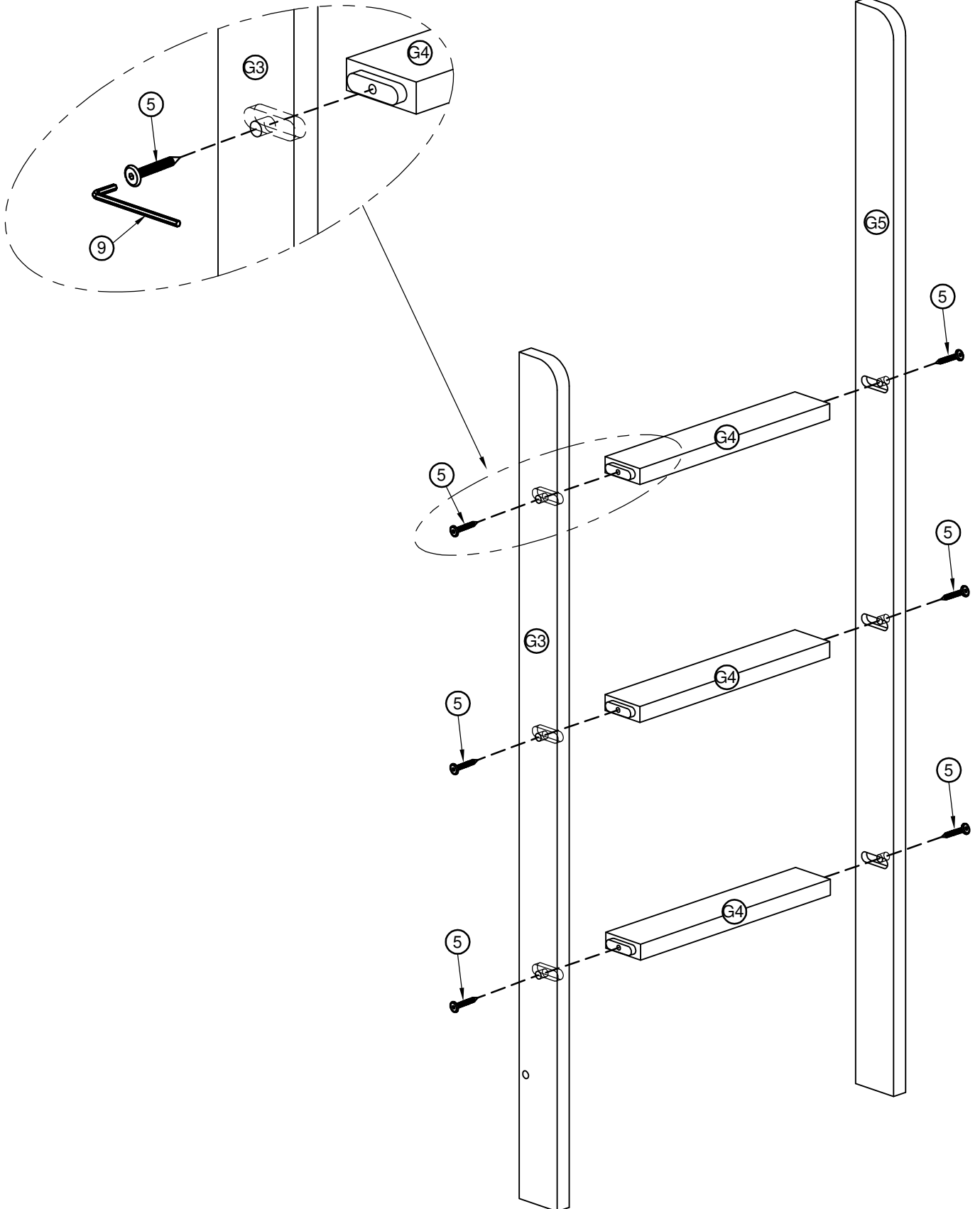


STEP 7: Following below illustration.

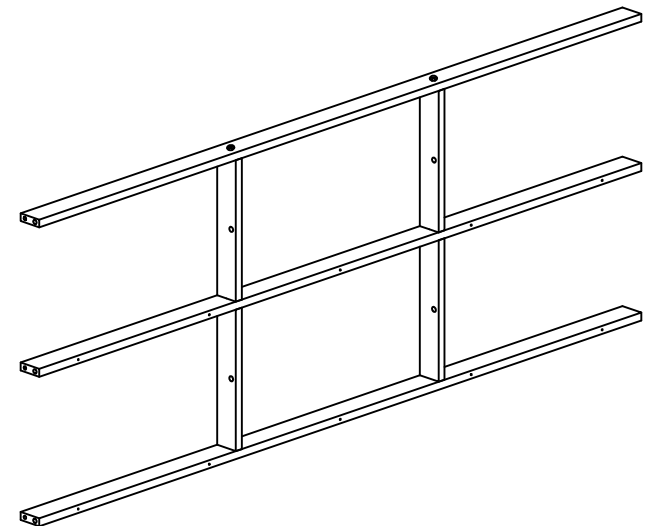
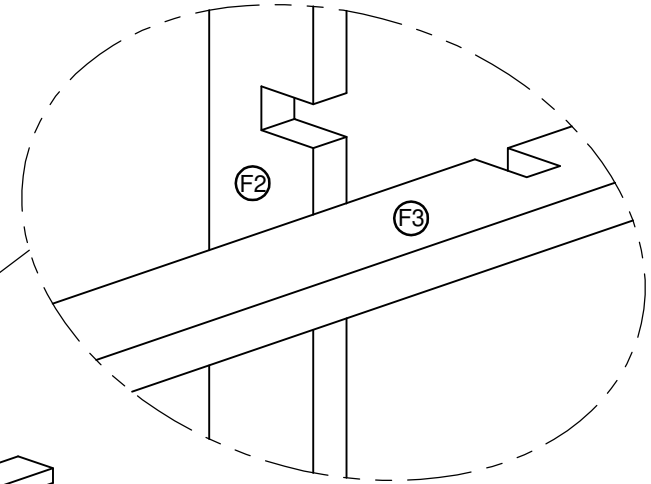
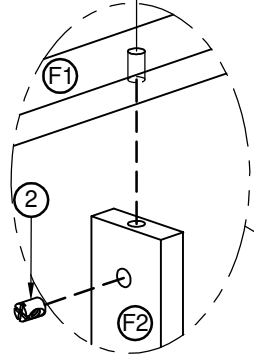
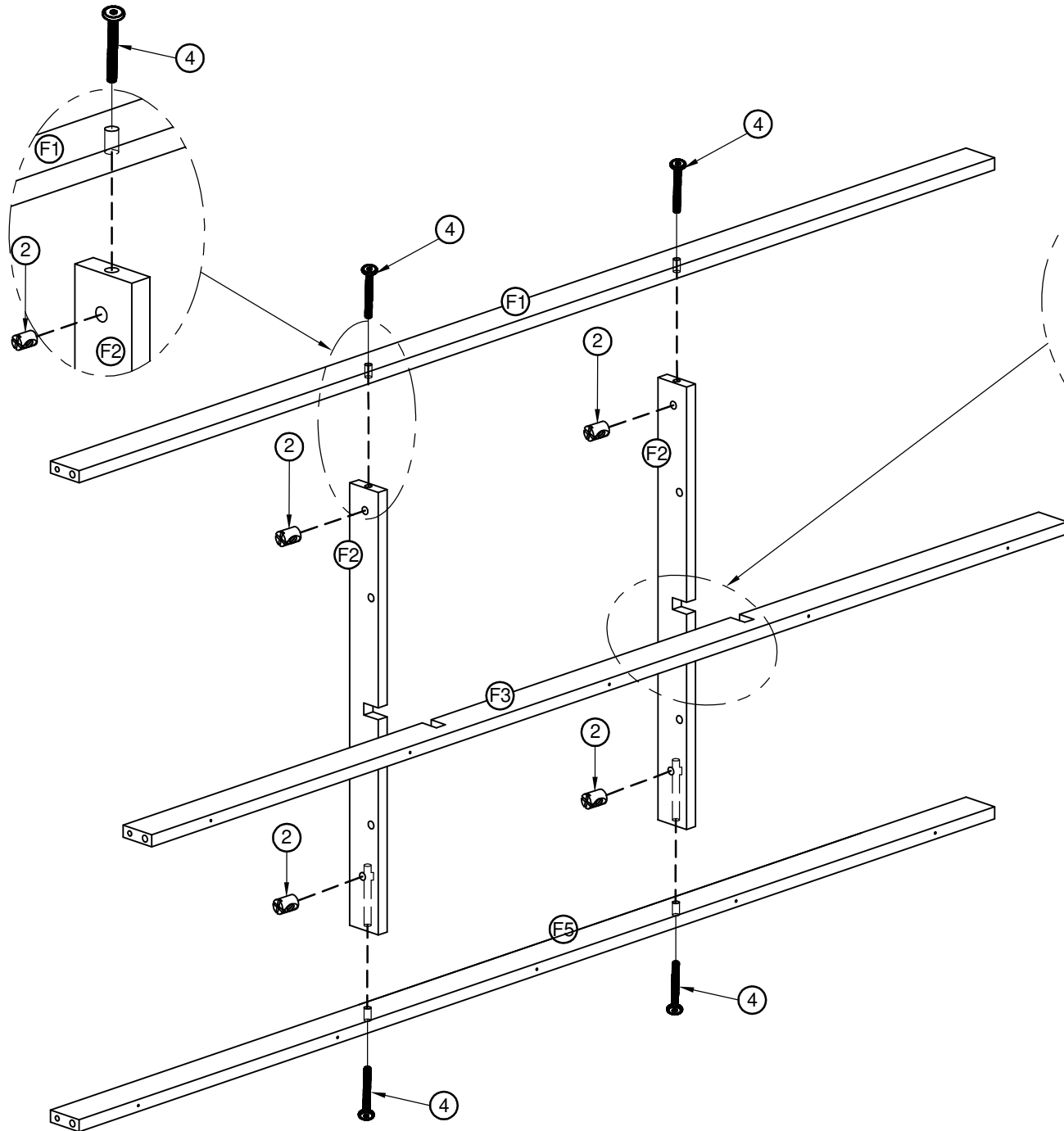
5



6 (pcs)



STEP 8: Following below illustration.



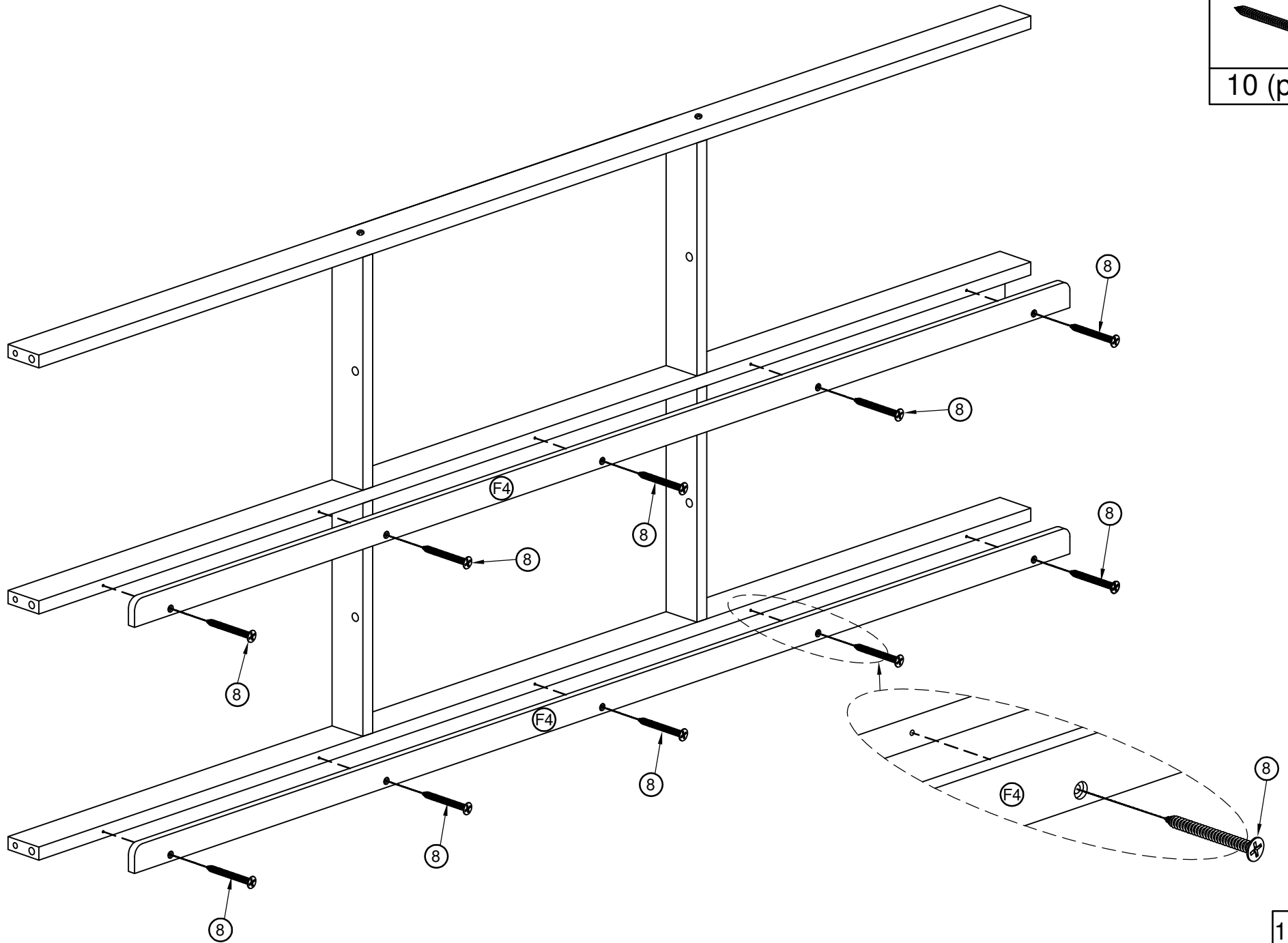
4	2
4(pcs)	4(pcs)

STEP 9: Following below illustration.

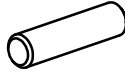


8

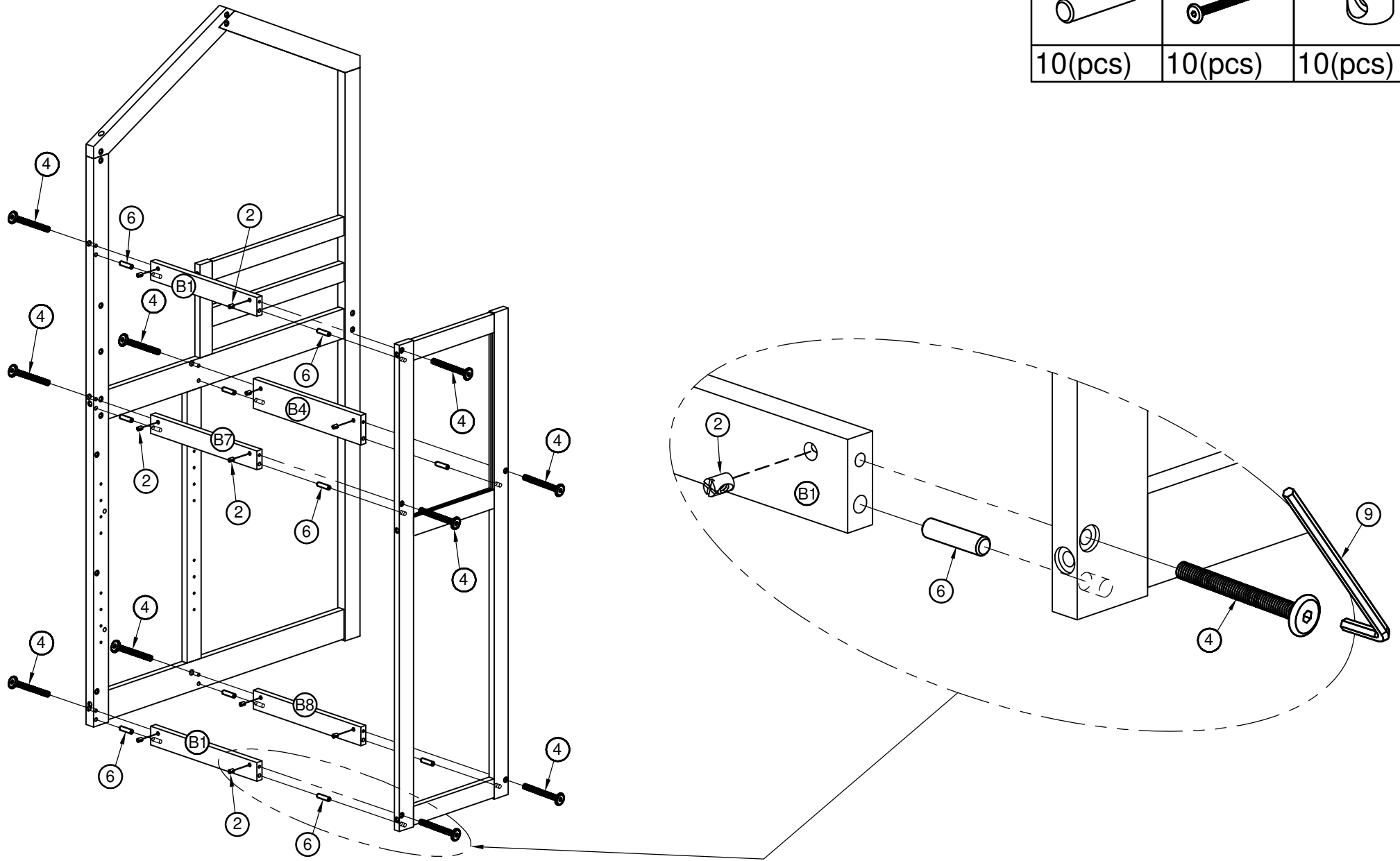


10 (pcs)

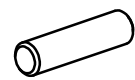

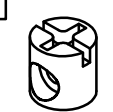


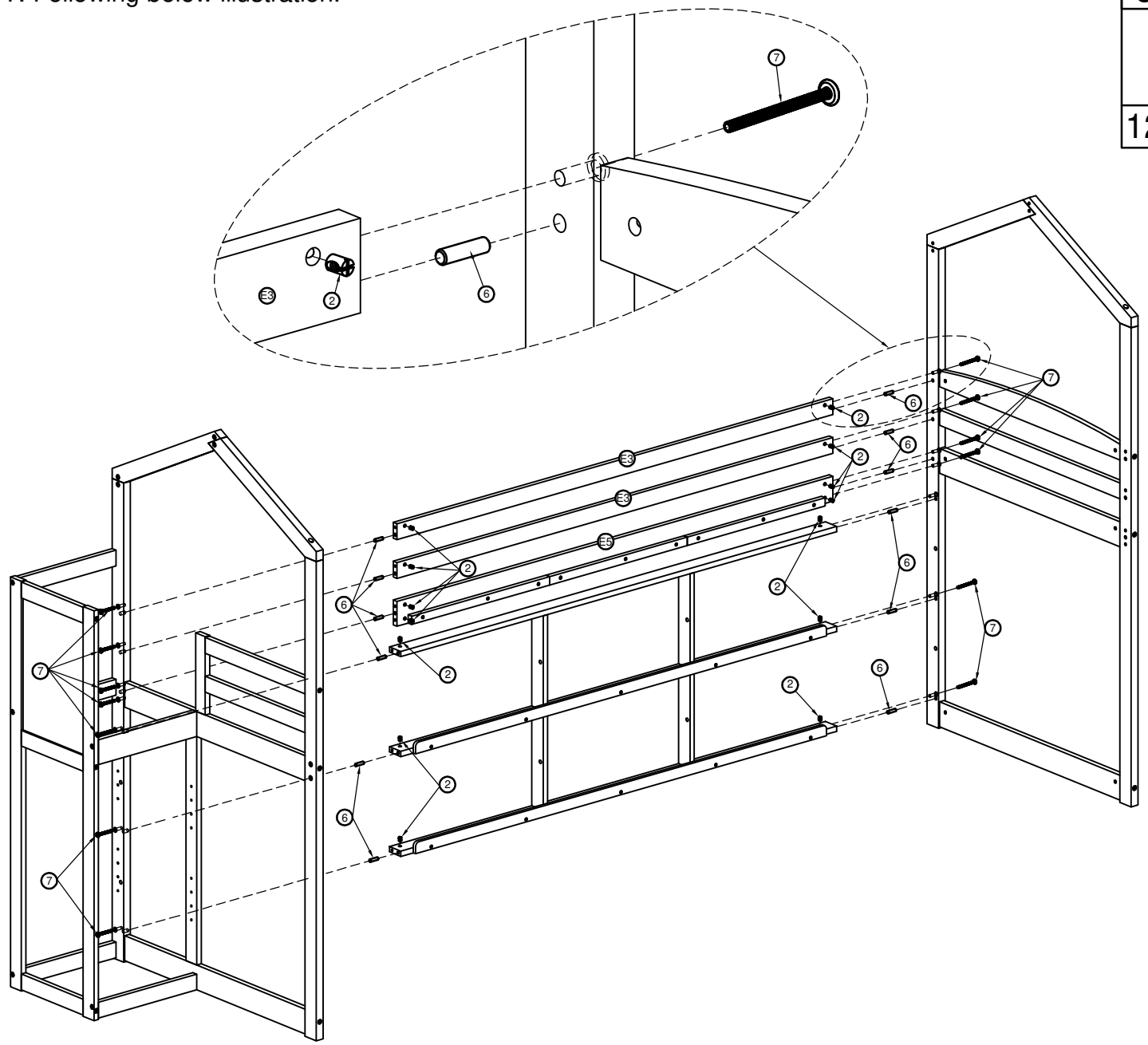
STEP 10: Following below illustration.

6	4	2
		
10(pcs)	10(pcs)	10(pcs)

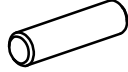




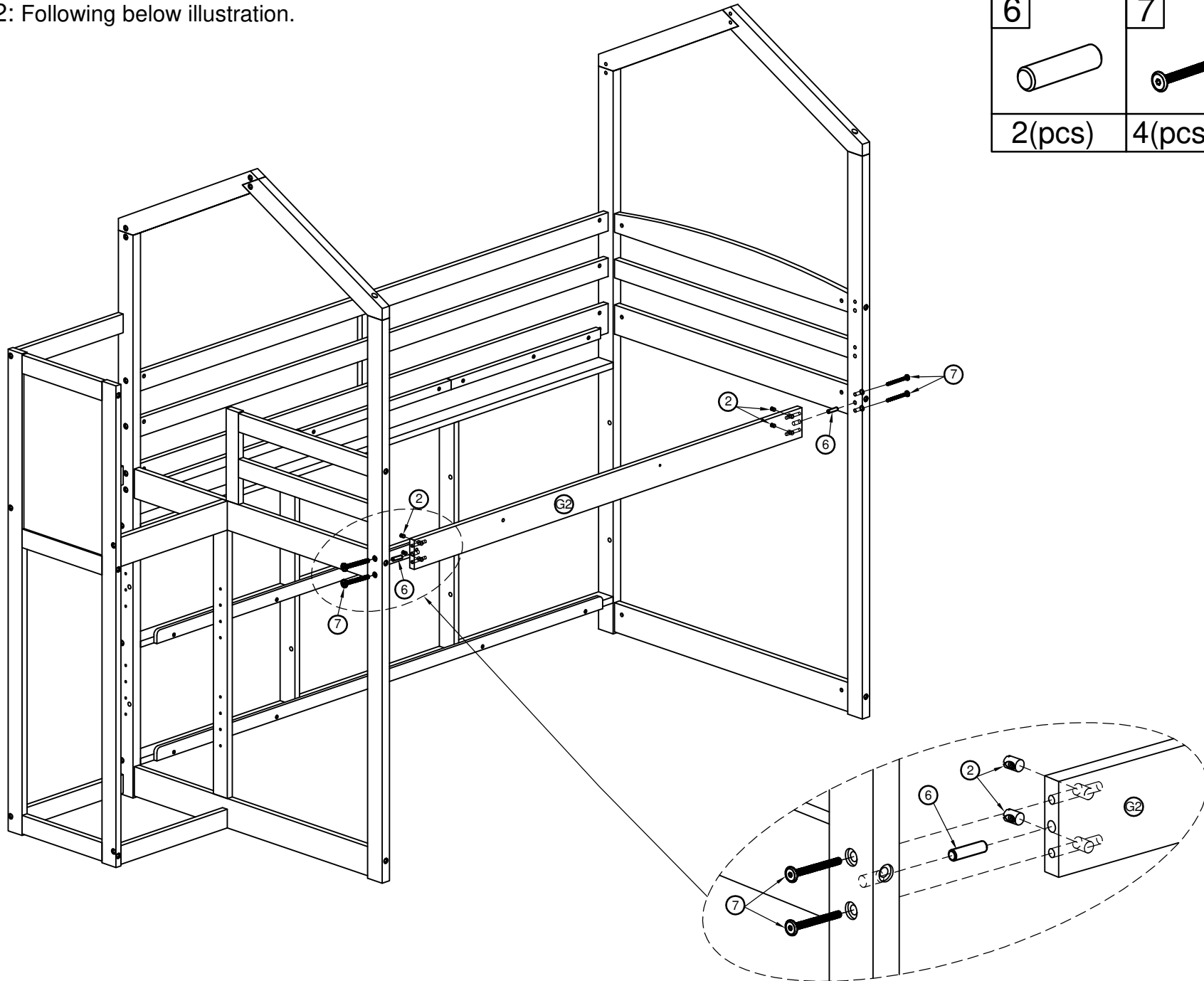
STEP 11: Following below illustration.

6	7	2
		
12(pcs)	14(pcs)	14(pcs)





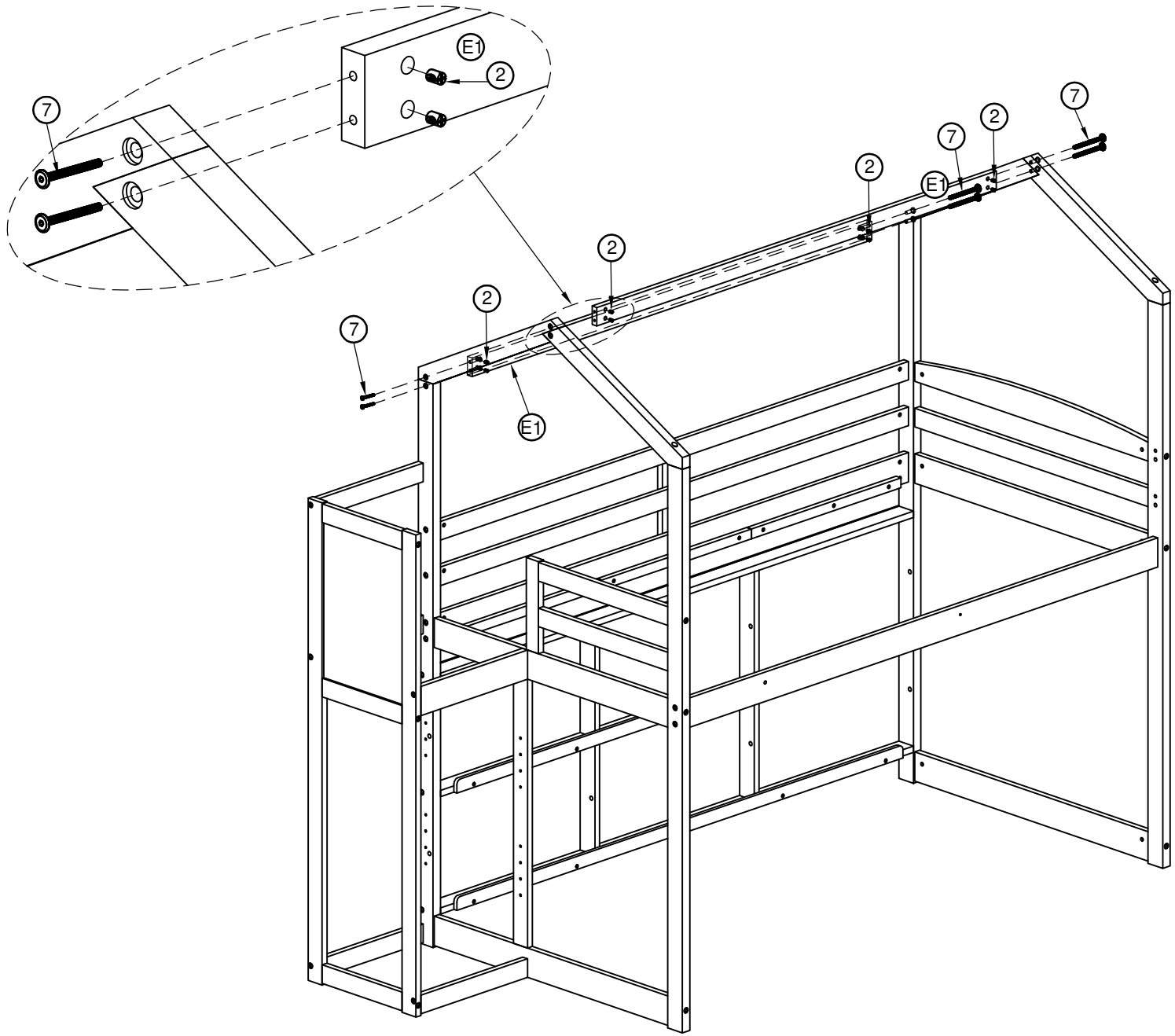
STEP 12: Following below illustration.

6	7	2
		
2(pcs)	4(pcs)	4(pcs)

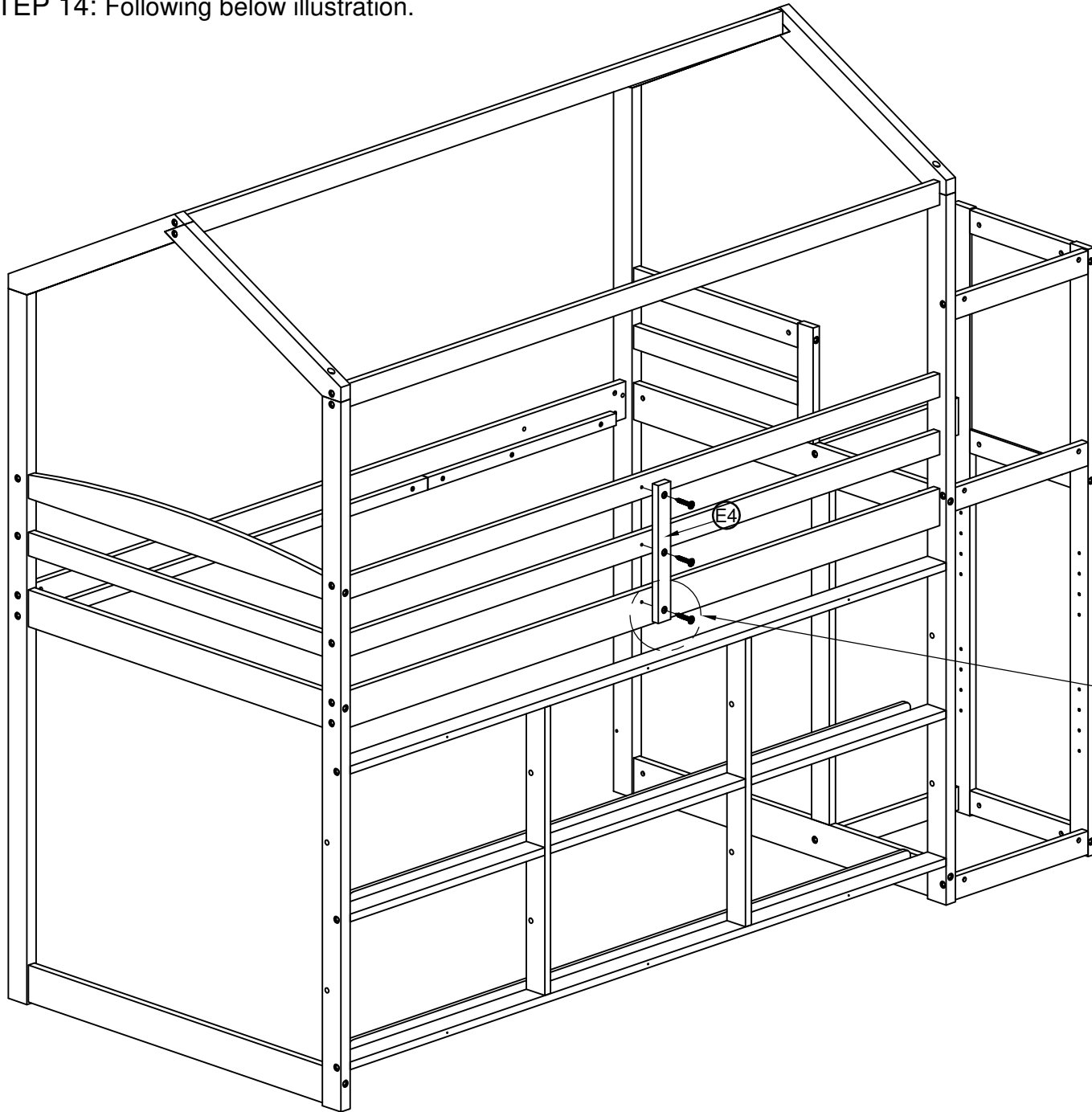


STEP 13: Following below illustration.

7	2
	
8(pcs)	8(pcs)



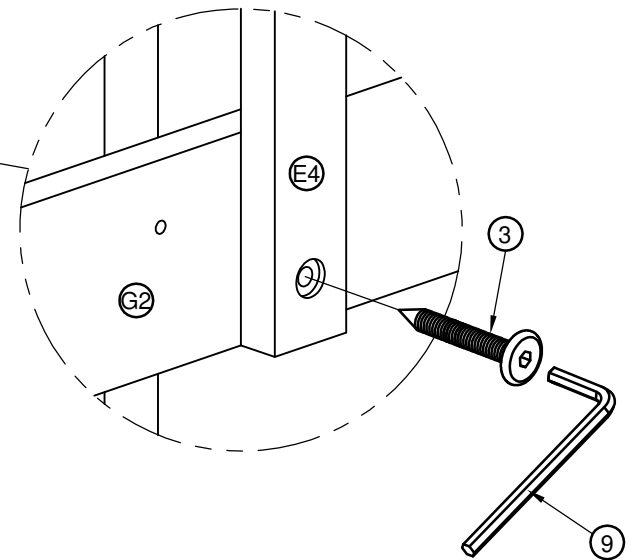
STEP 14: Following below illustration.



3



3 (pcs)

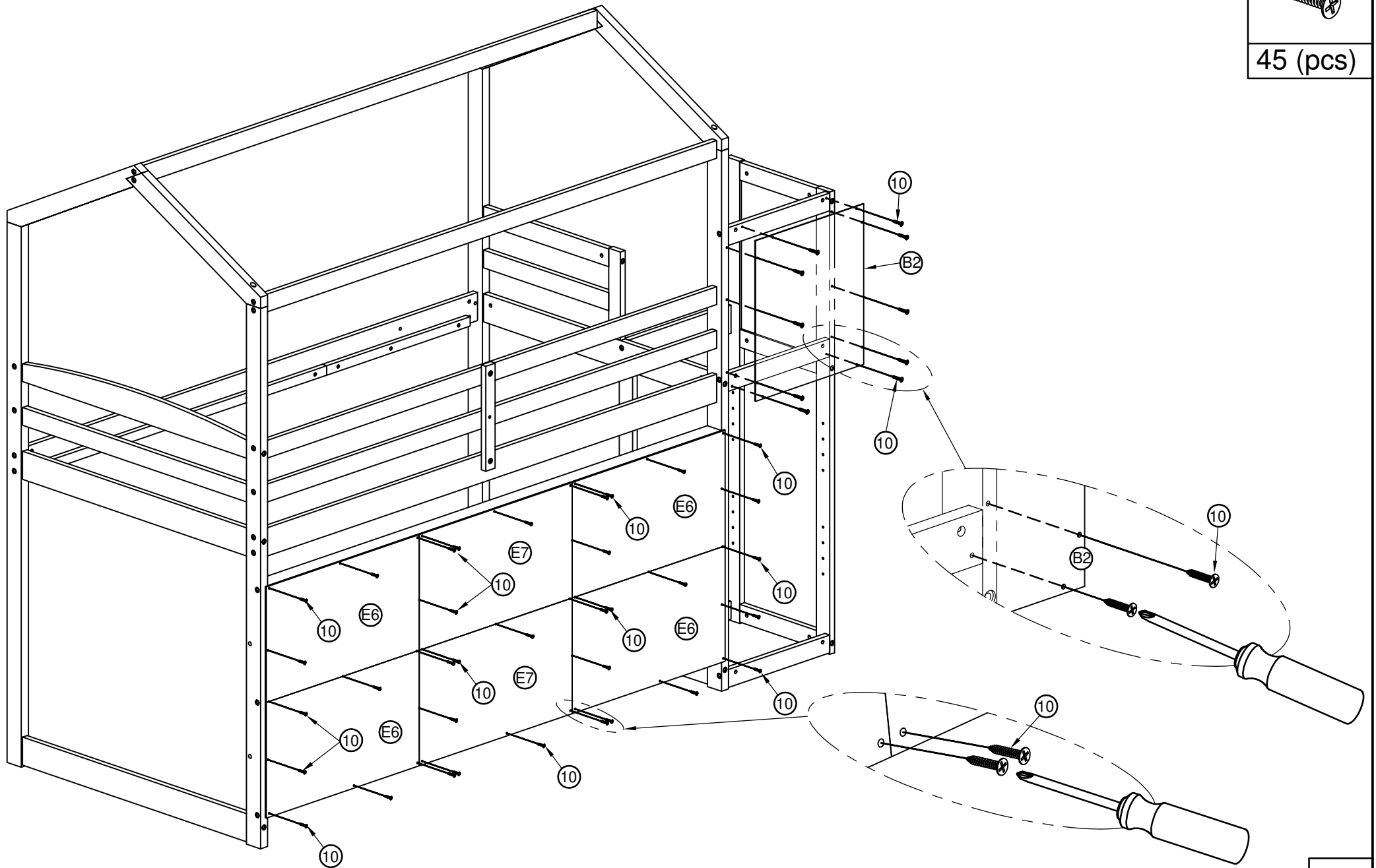


STEP 15: Following below illustration.

10

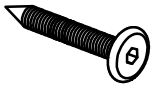


45 (pcs)

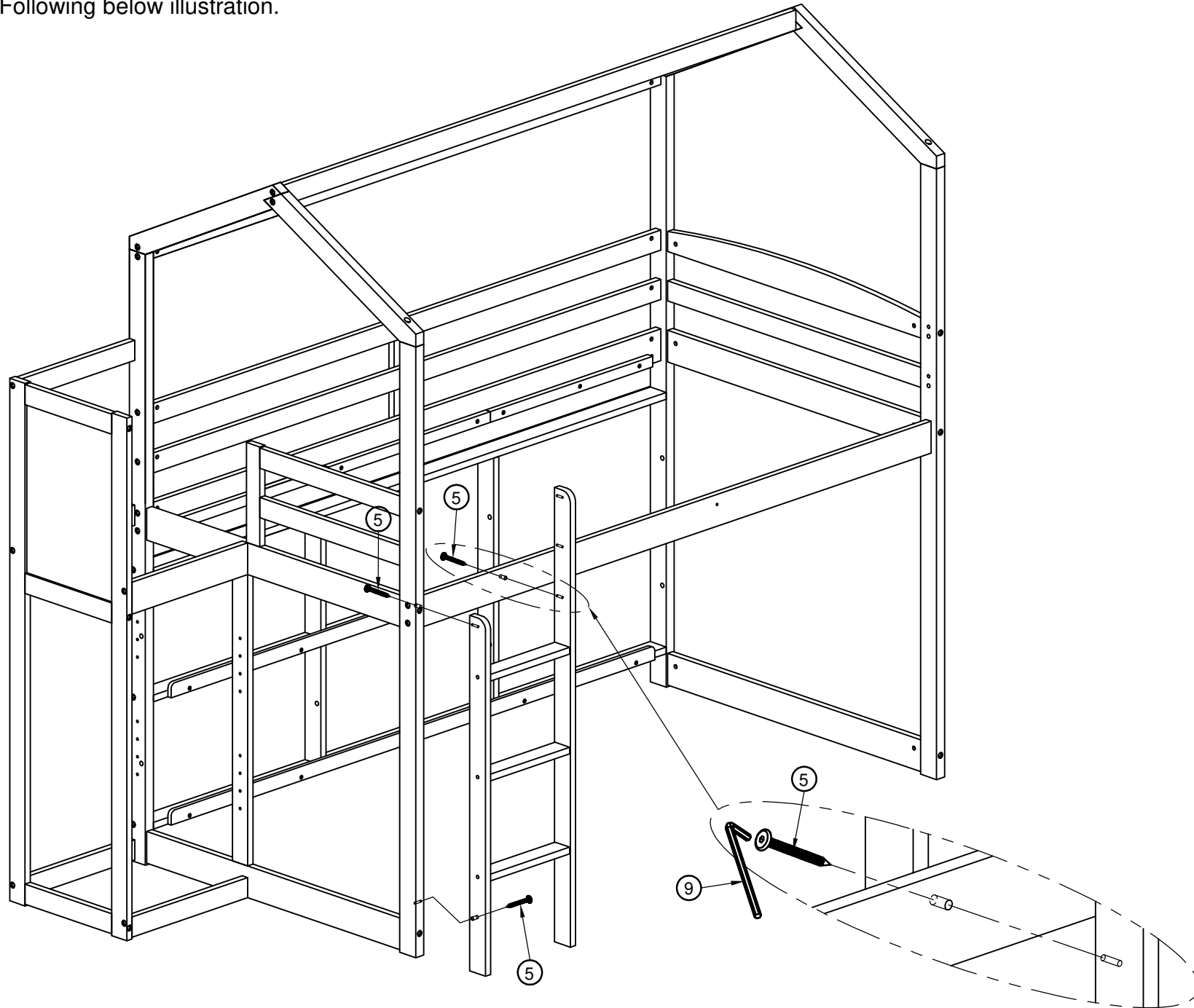


STEP 16: Following below illustration.

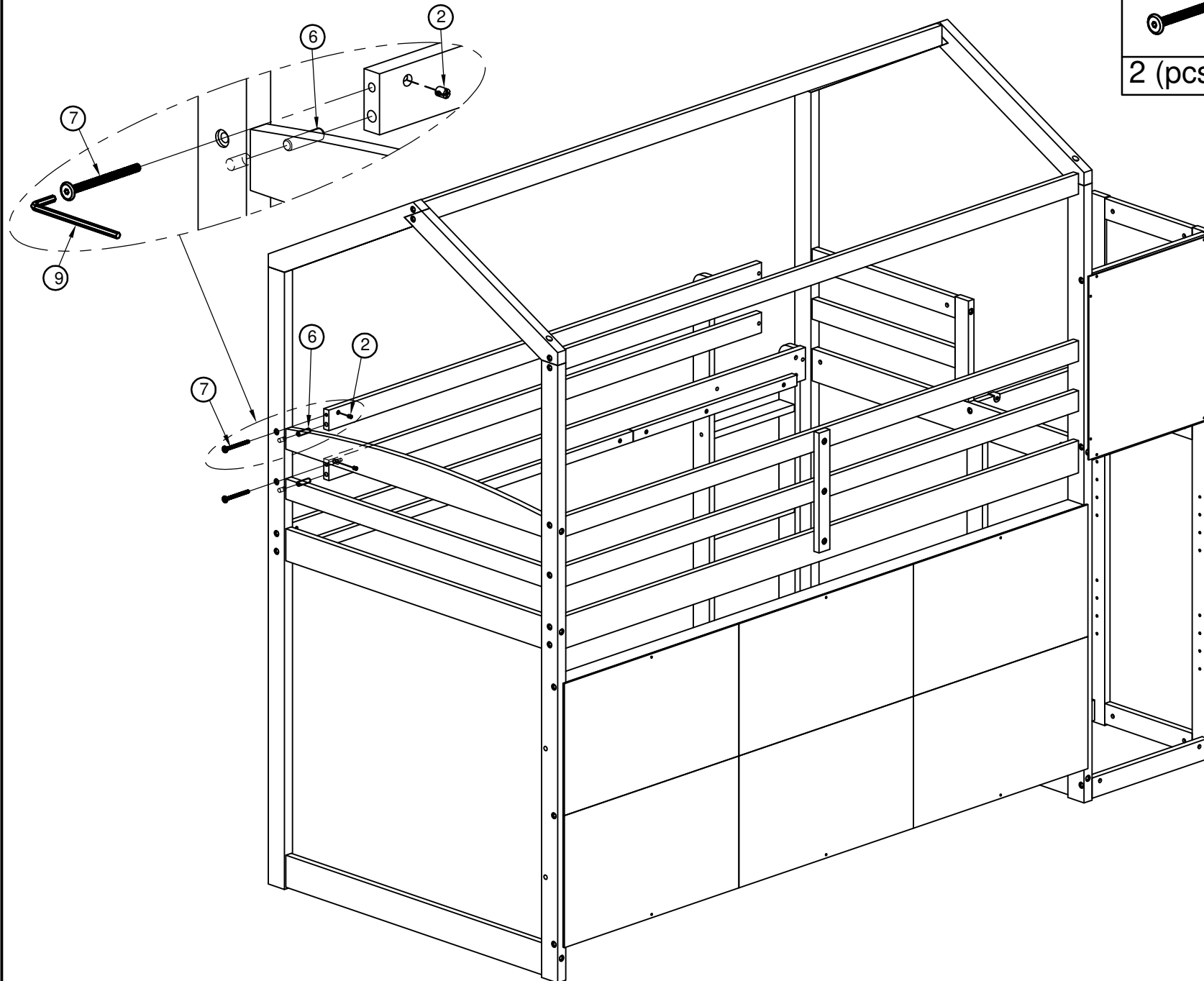
5






3 (pcs)

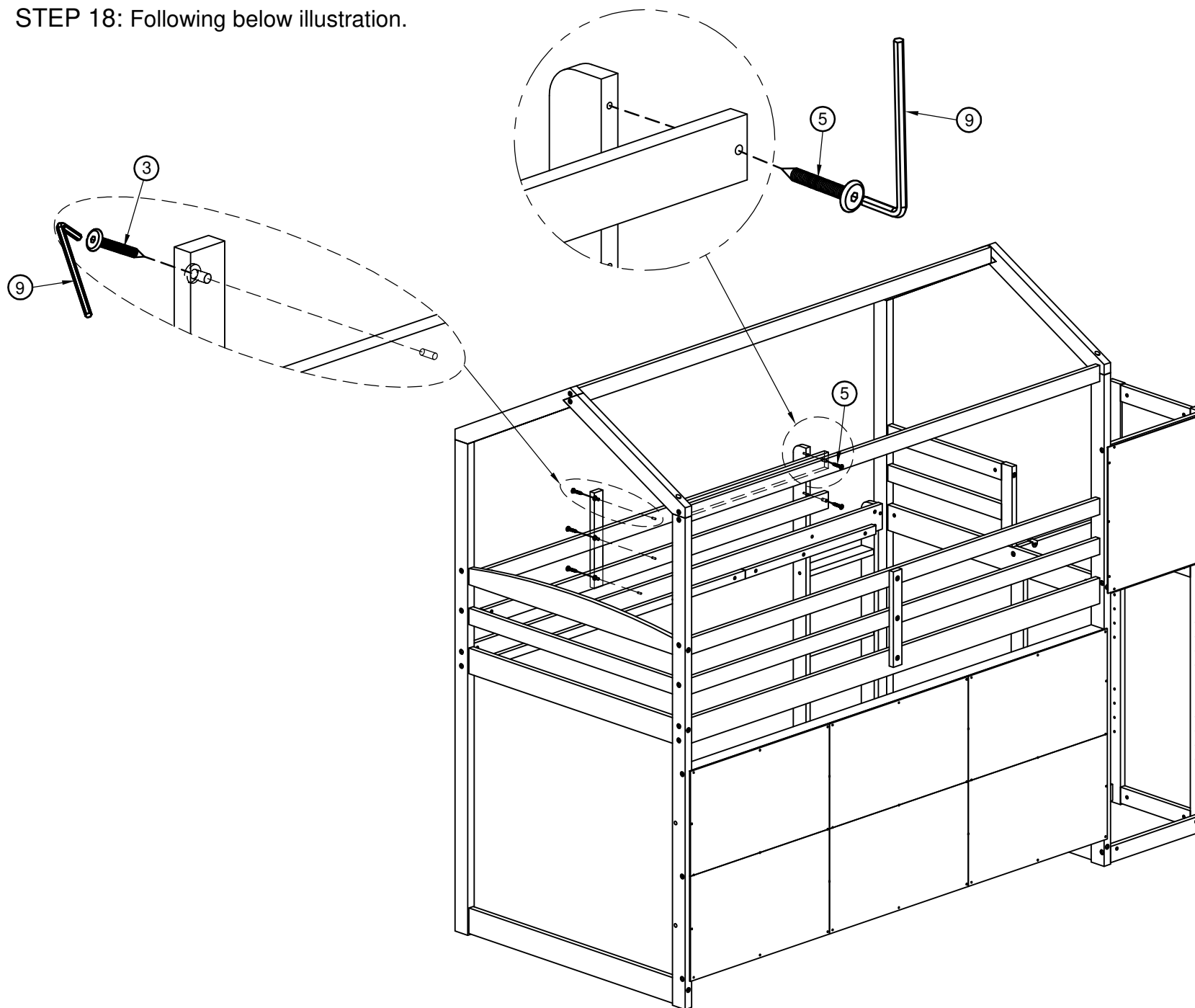


STEP 17: Following below illustration.



7	2	6
		
2 (pcs)	2 (pcs)	2 (pcs)

STEP 18: Following below illustration.



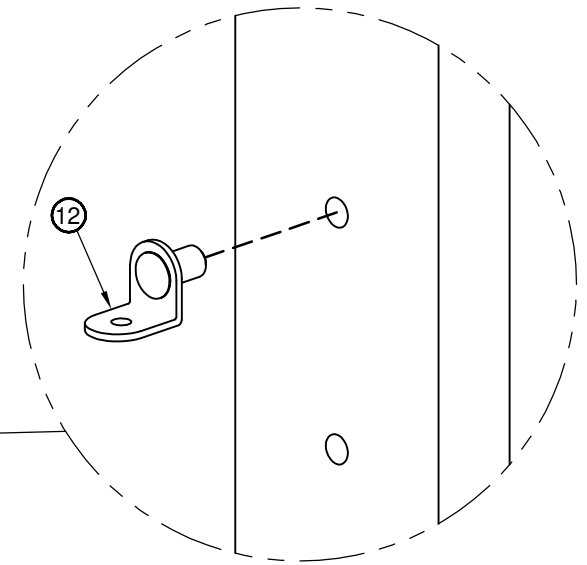
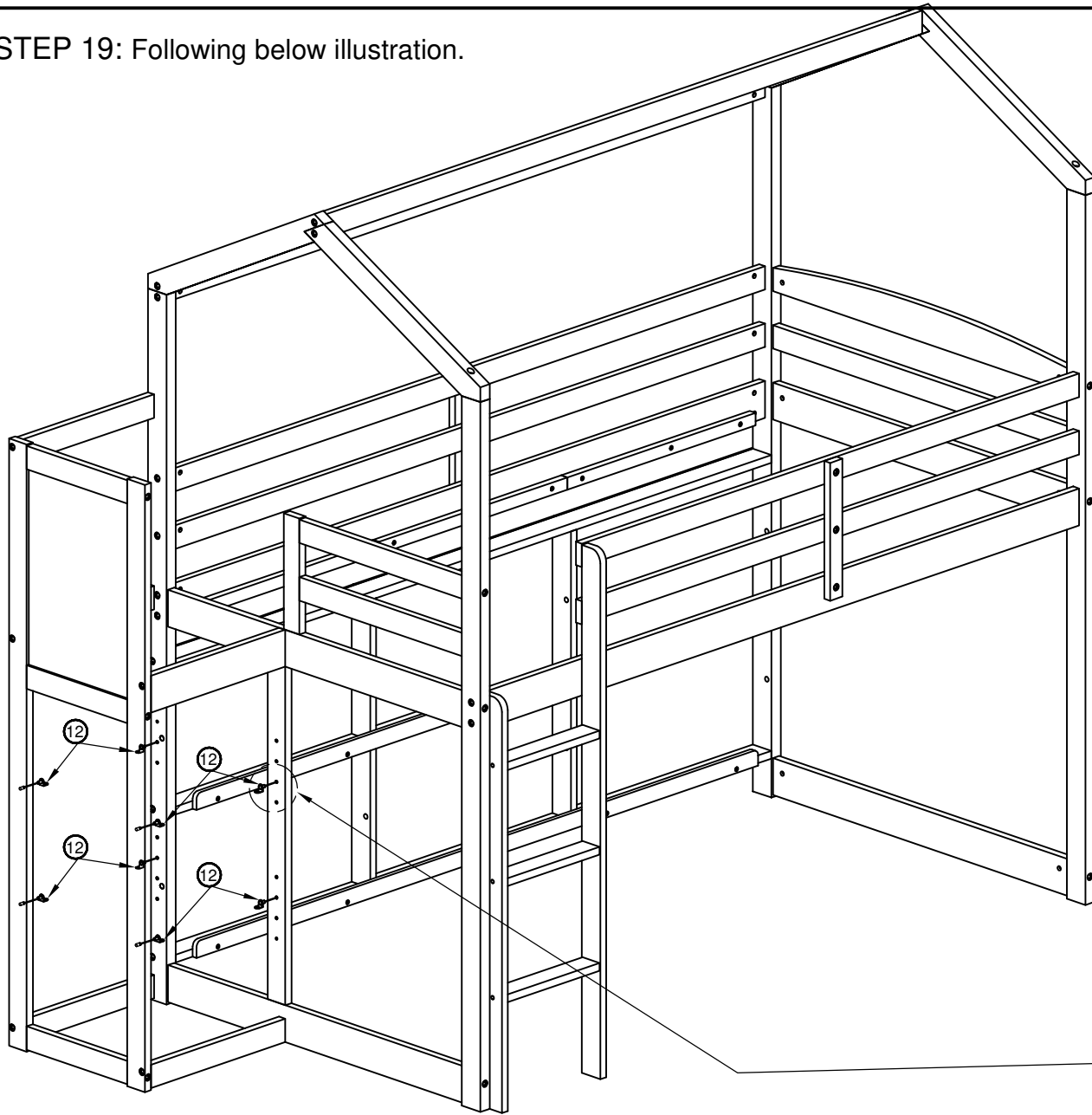
3	5
3 (pcs)	2 (pcs)

STEP 19: Following below illustration.

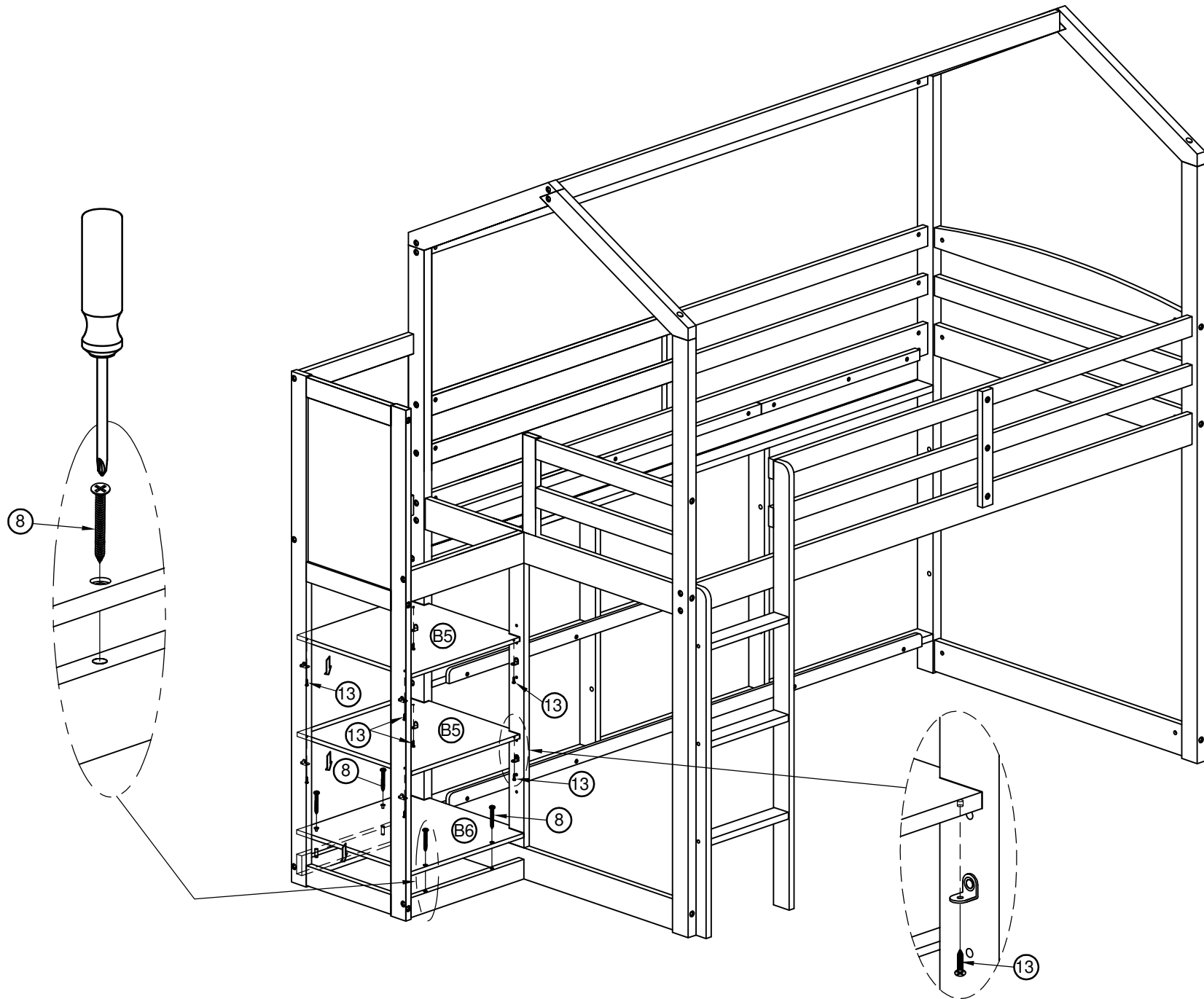
12



8(pcs)



STEP 20: Following below illustration.



8



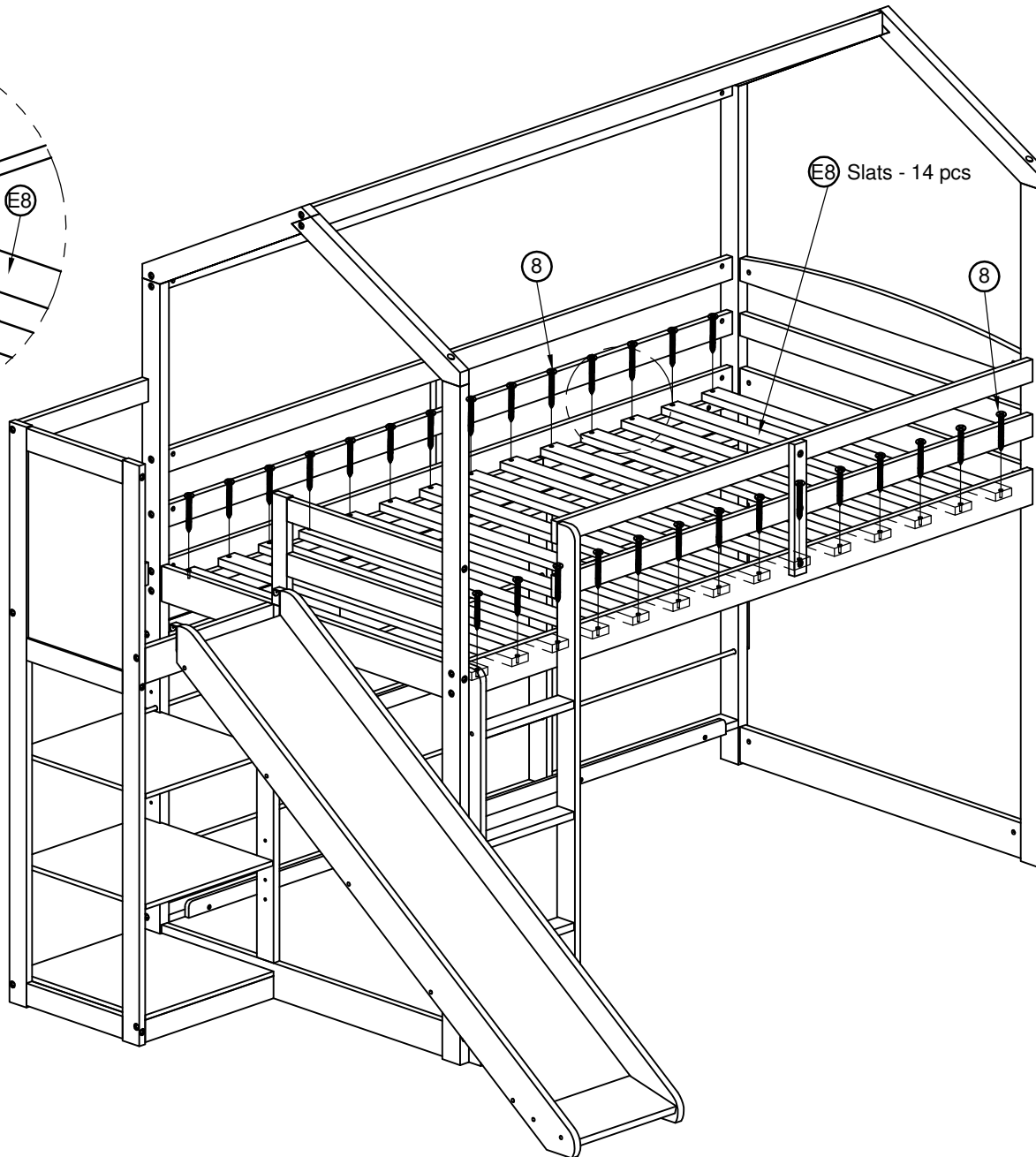
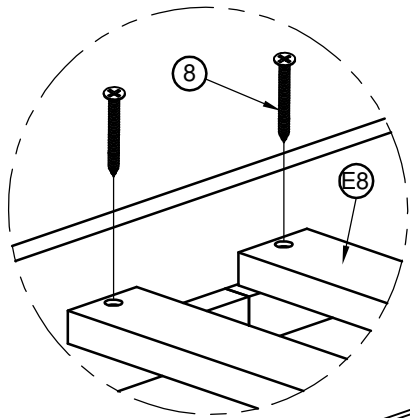
4 (pcs)

13



8 (pcs)

STEP 21: Following below illustration.



8



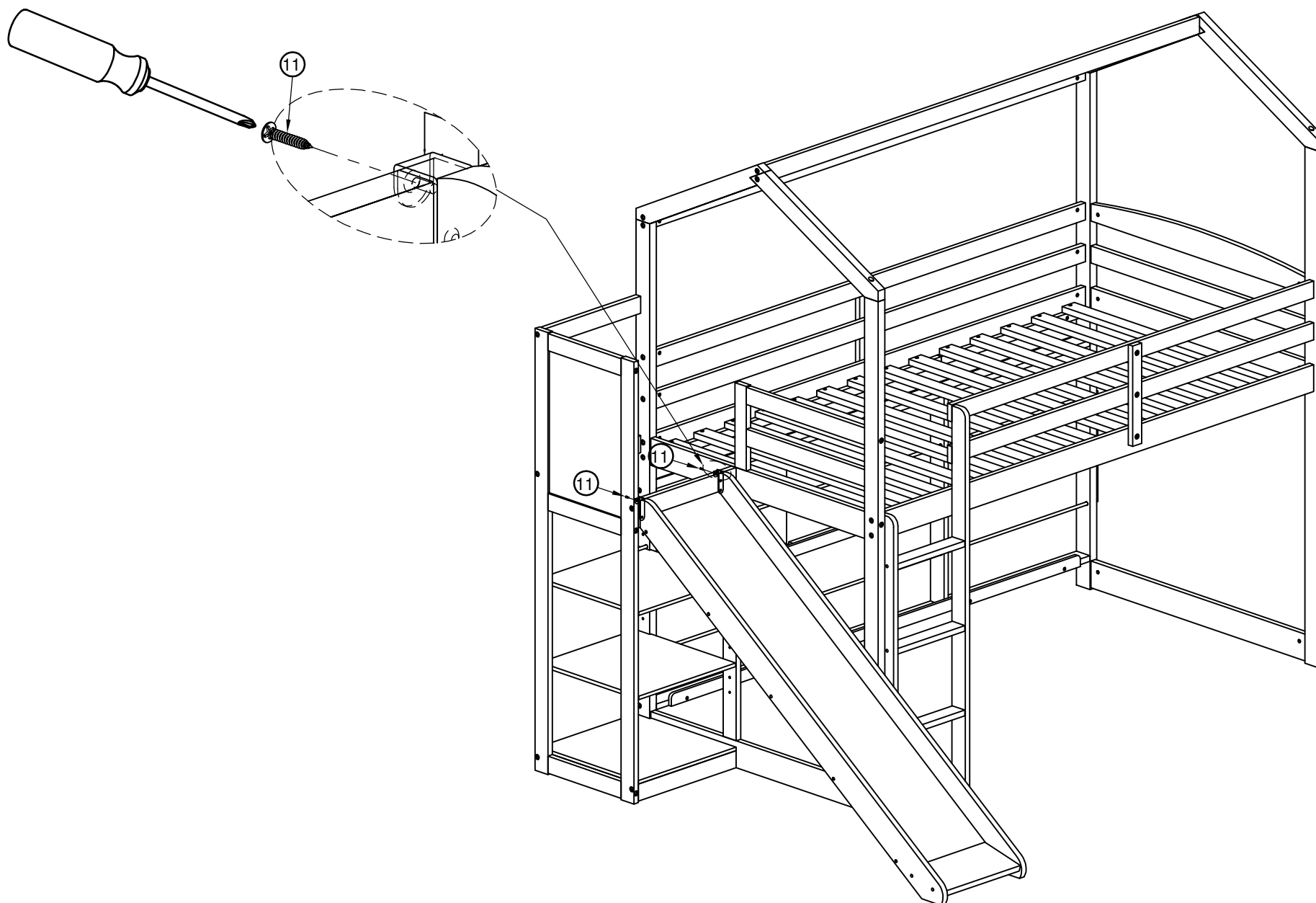
28(pcs)

STEP 22: Following below illustration.

11



2(pcs)

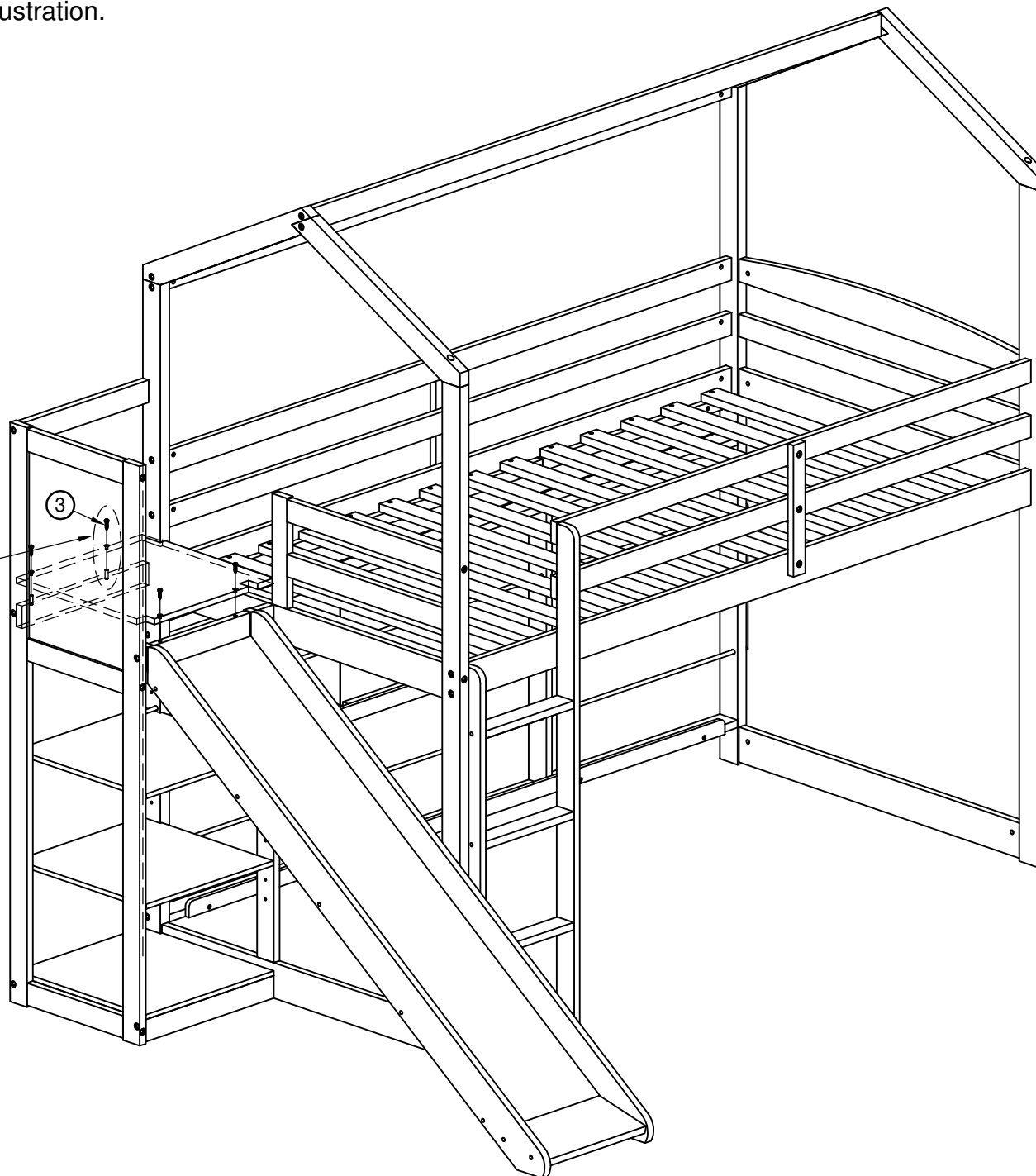
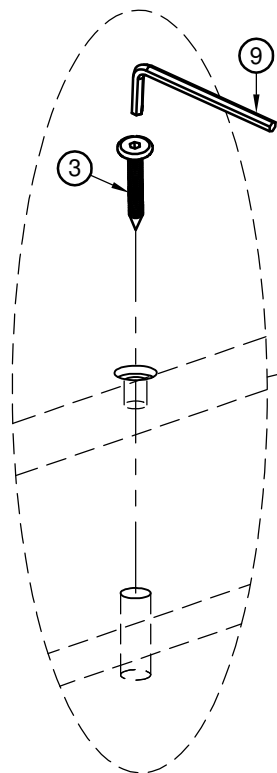


STEP 23: Following below illustration.




3



4 (pcs)



STEP 24: Following below illustration.

16		19		20	
1pc		1pc		1pc	

