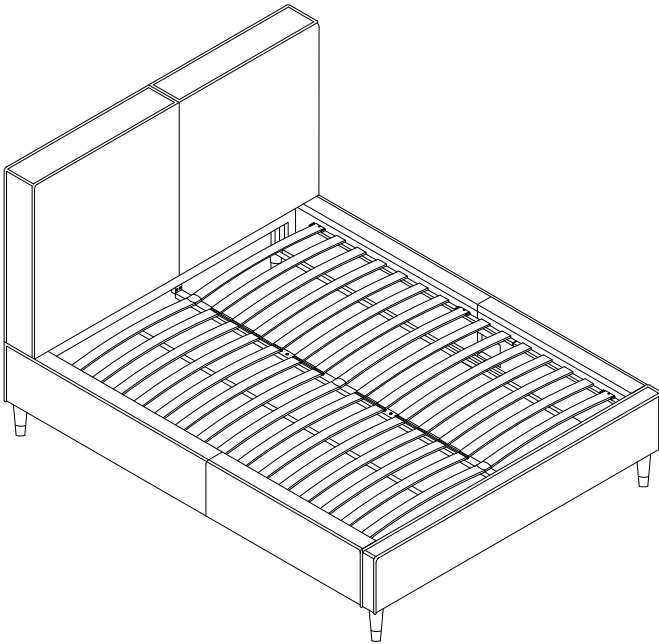


# ASSEMBLY INSTRUCTION

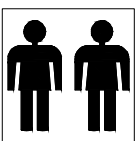


Please **TEAR OFF** this shrink film from side!  
**DO NOT USE CUTTER!**

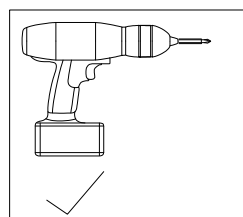
ITEM NUMBER: BU003

## IMPORTANT NOTE

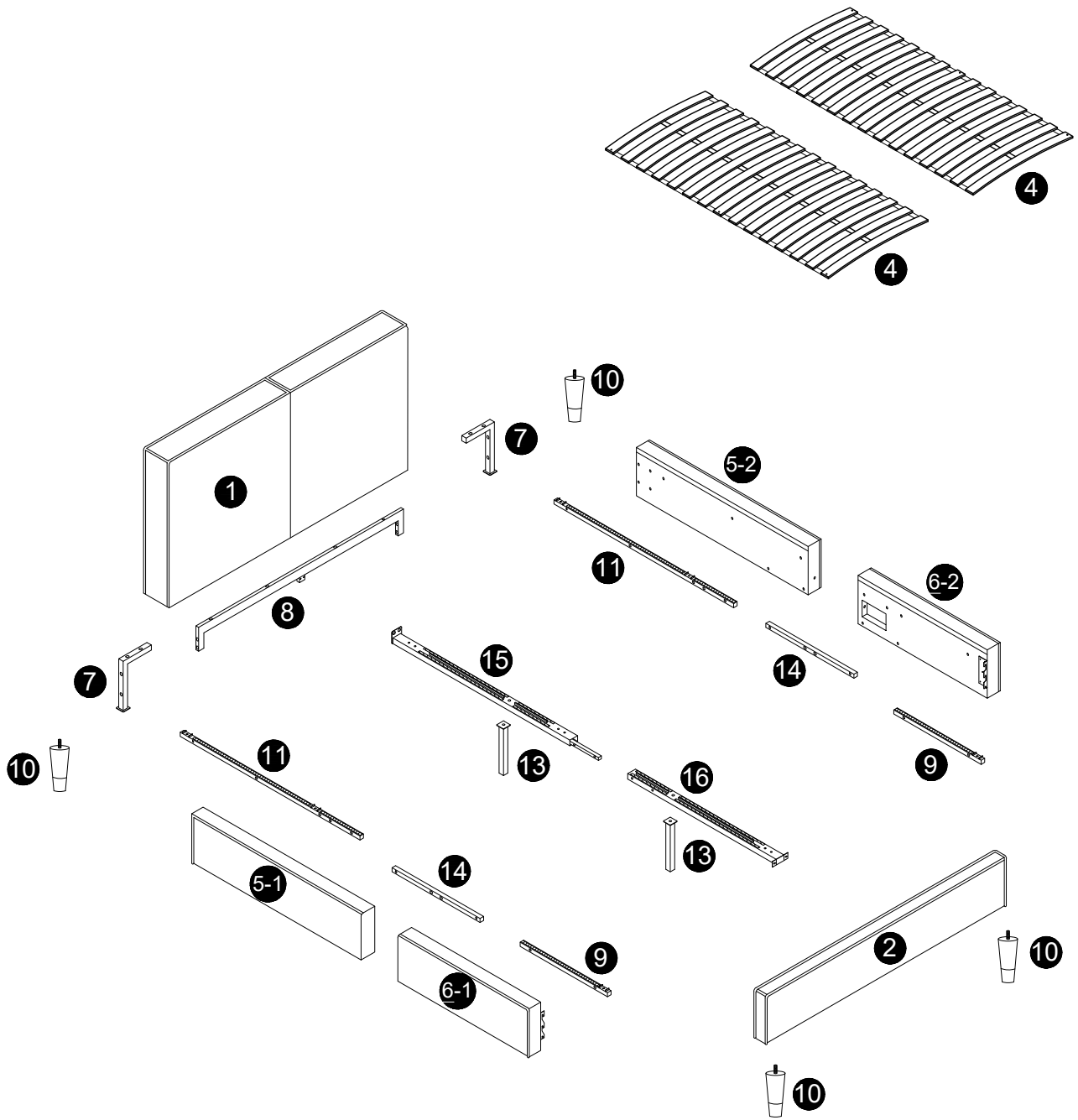
1. For the protection of your furniture, place all parts on a clean and smooth surface to prevent any damage.
2. Keep fittings out of children's reach and keep children well away from construction area.
3. When moving your assembled bed. it is best to lift the bed and never to drag it.
4. Do not use this product if parts are missing, damaged or worn.
5. This product should only be used on firm, level ground.
6. Please periodically check all fittings and re-tighten as necessary.
7. Do not use the bed unless all bolts and screws are firmly secured.
8. For further assistance, please provide a screenshot of your order and contact us via email at [support@velocavabed.com](mailto:support@velocavabed.com)



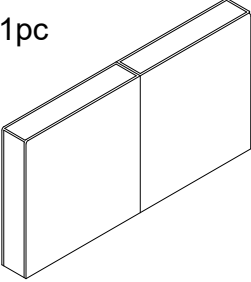
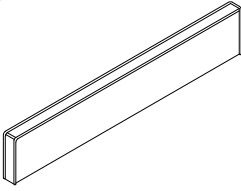
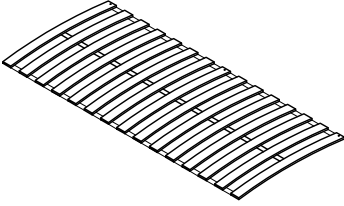
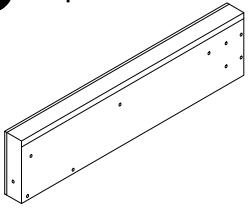
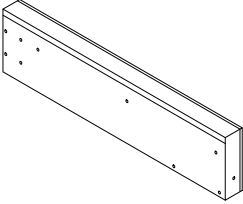
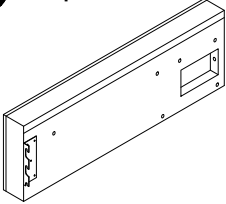
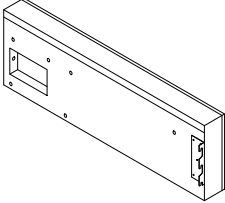
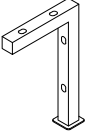
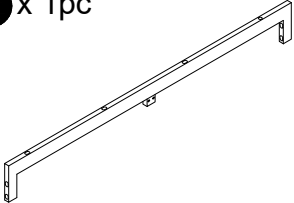
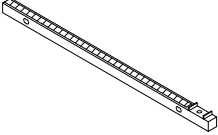

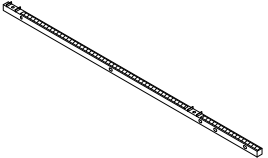

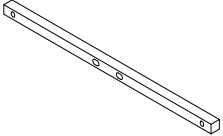
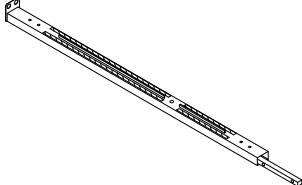
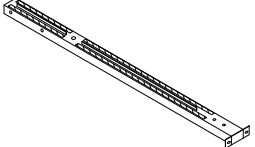
Minimum two  
person assembly



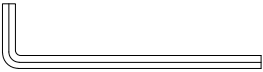
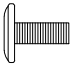







PART LIST



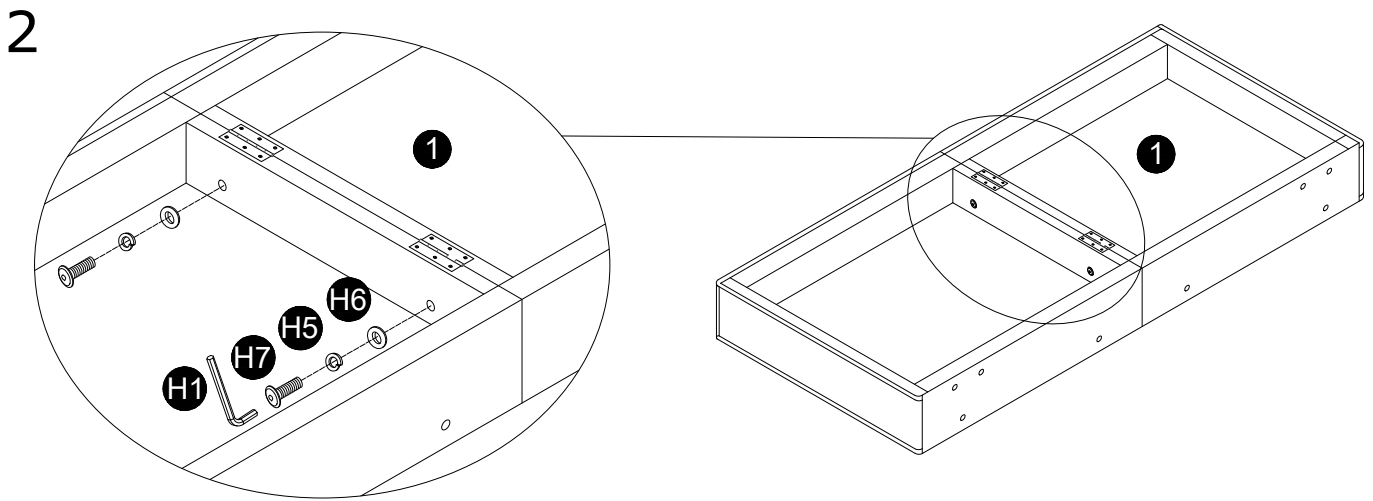
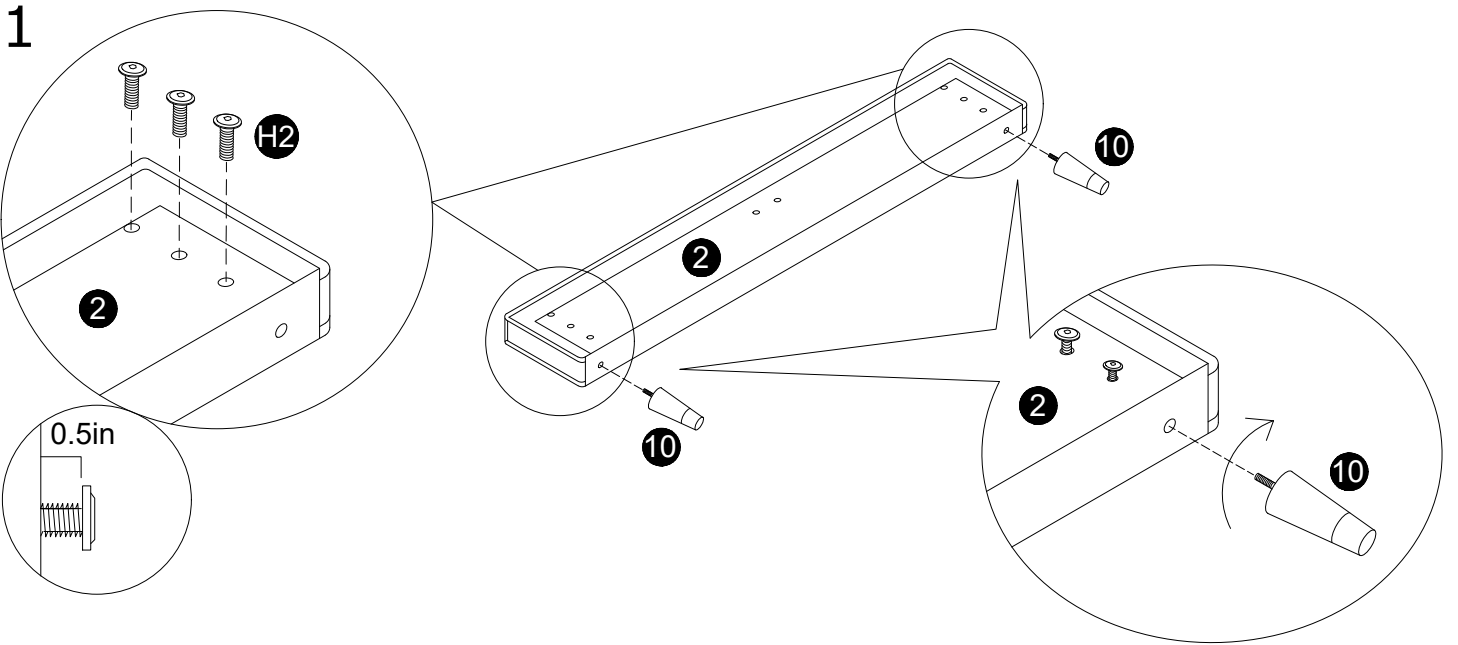
**PART LIST**

<p><b>1</b> x 1pc</p> 	<p><b>2</b> x 1pc</p> 	<p><b>4</b> x 2pcs</p> 	<p><b>5-1</b> x 1pc</p> 
<p><b>5-2</b> x 1pc</p> 	<p><b>6-1</b> x 1pc</p> 	<p><b>6-2</b> x 1pc</p> 	<p><b>7</b> x 2pcs</p> 
<p><b>8</b> x 1pc</p> 	<p><b>9</b> x 2pcs</p> 	<p><b>10</b> x 4pcs</p> 	<p><b>11</b> x 2pcs</p> 
<p><b>13</b> x 2pcs</p> 	<p><b>14</b> x 2pcs</p> 	<p><b>15</b> x 1pc</p> 	<p><b>16</b> x 1pc</p> 

**HARDWARE LIST**

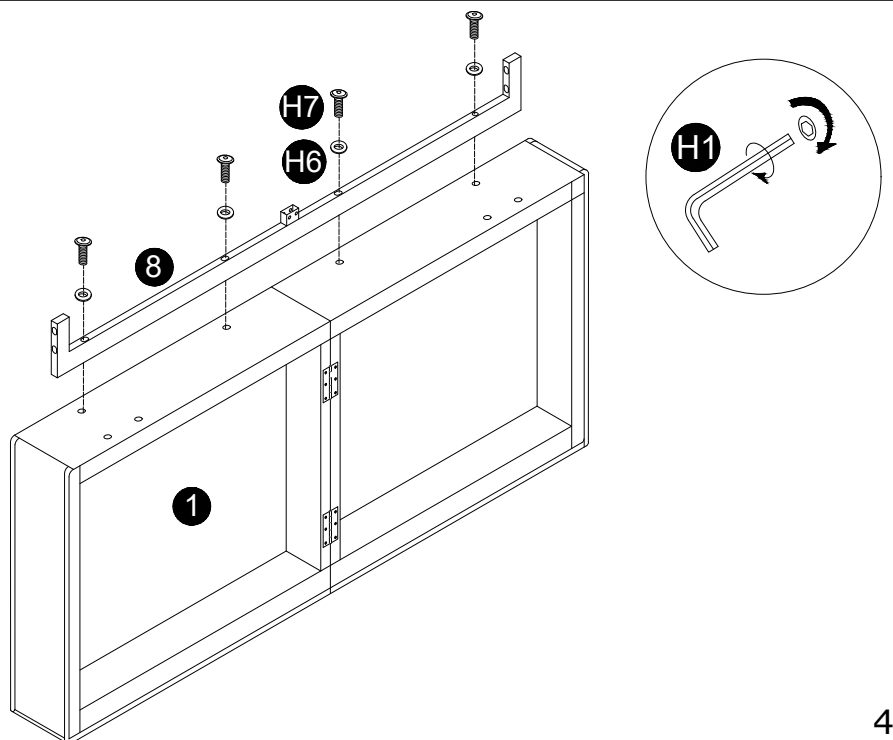
 <p><b>H1</b> M5 x 1pc</p>	 <p><b>H2</b> M8x25mm x 12pcs</p>	 <p><b>H3</b> M8x40mm x 10pcs</p>	 <p><b>H4</b> M8x50mm x 24pcs</p>
 <p><b>H5</b> M8 x 14pcs</p>	 <p><b>H6</b> M8x22mm x 20pcs</p>	 <p><b>H7</b> M8x70mm x 10pcs</p>	 <p><b>H8</b> x 6pcs</p>
 <p><b>H9</b> x 3pcs</p>			

**Please ensure to thoroughly inspect the small inner cardboard box containing the hardware, which are tied with a red string, before disposing of the box.**

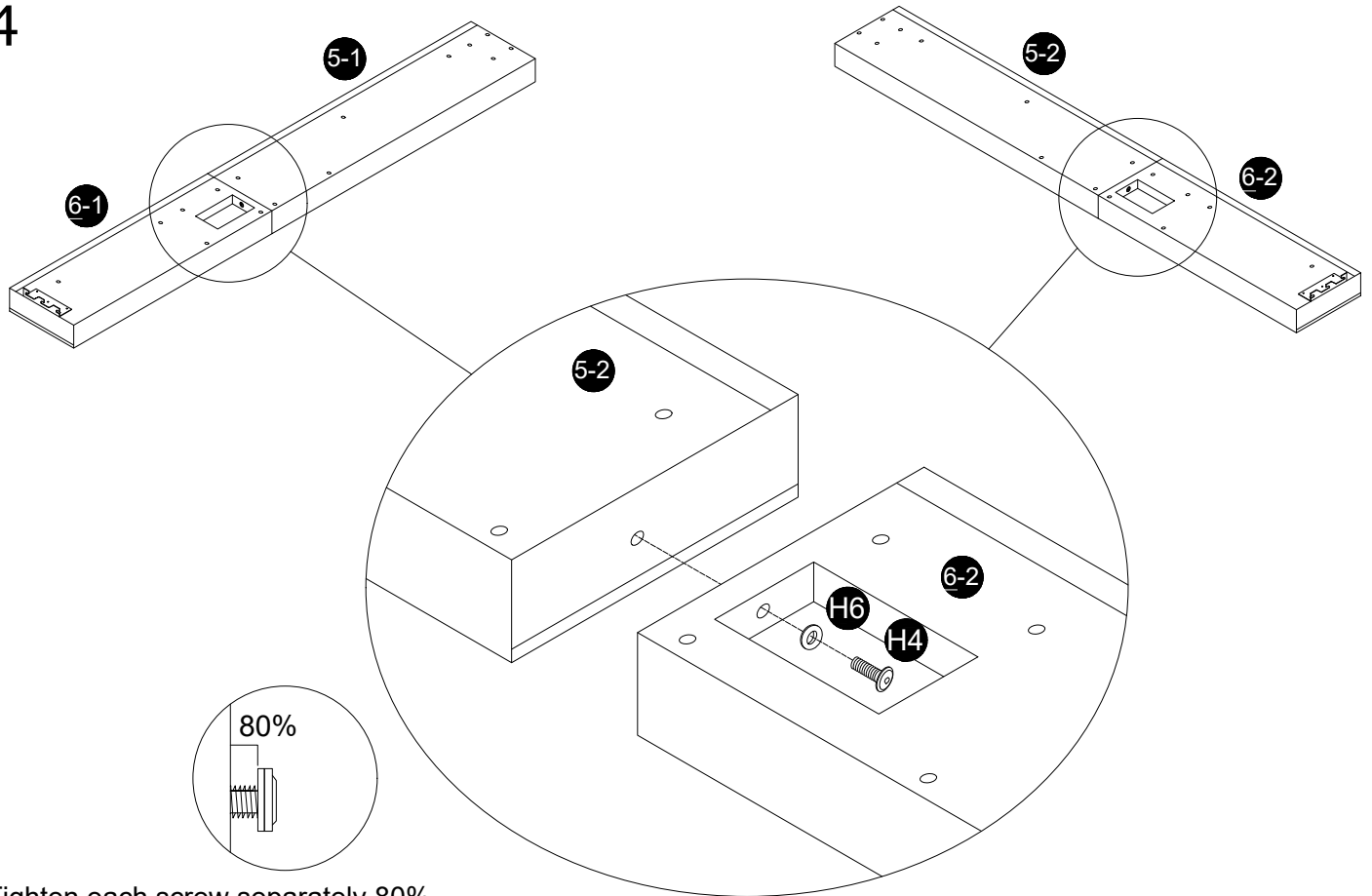


# 3

As shown in the diagram, align the screws with the corresponding holes and pre-fix them. Then, tighten each screw separately.



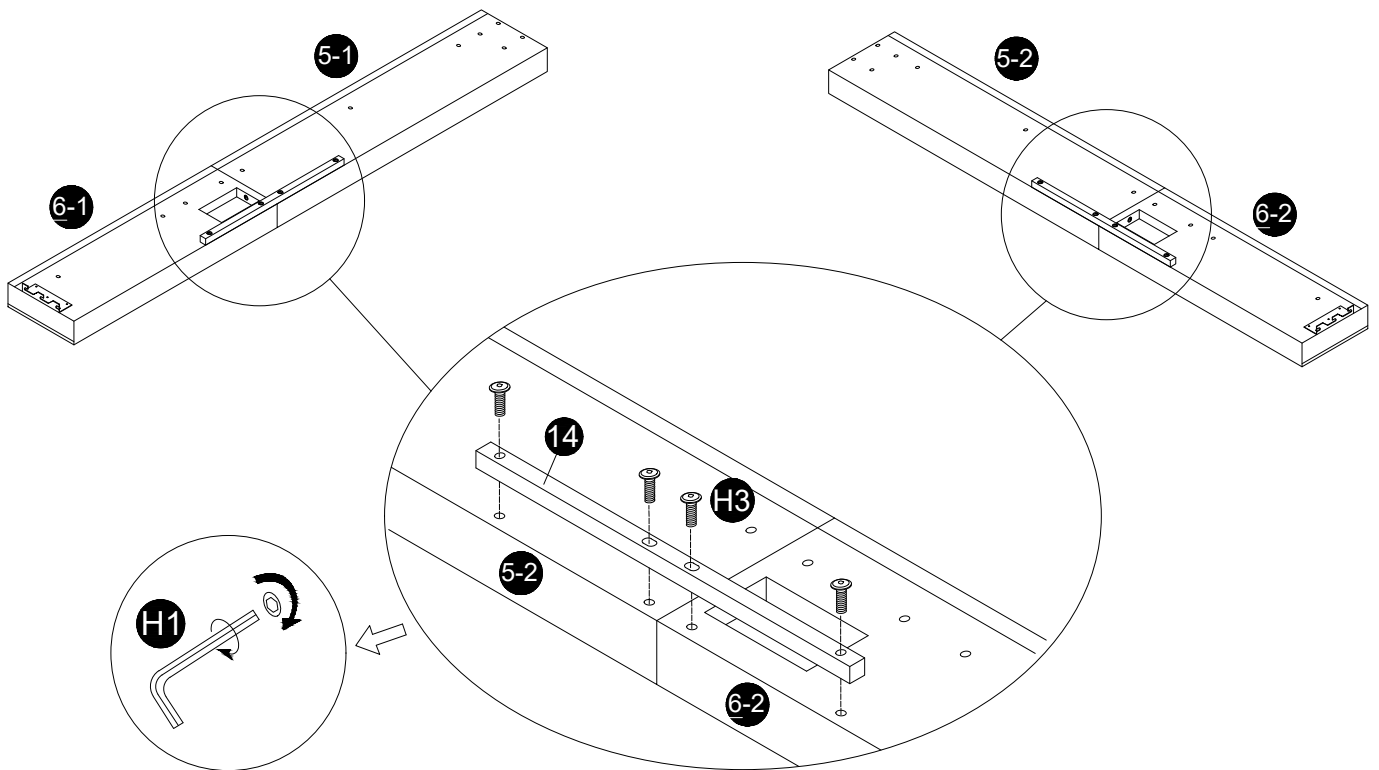
4



Tighten each screw separately 80%.

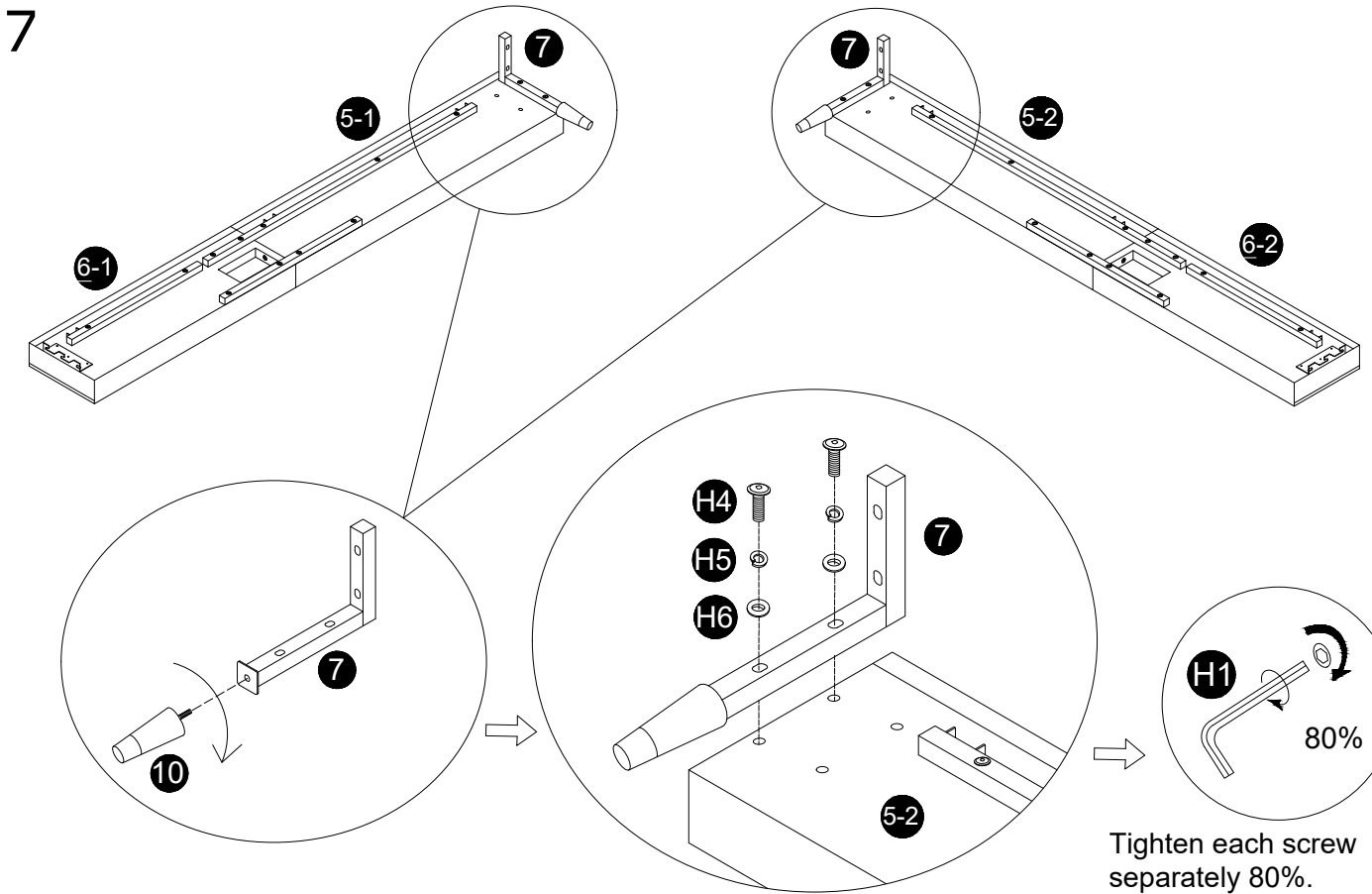
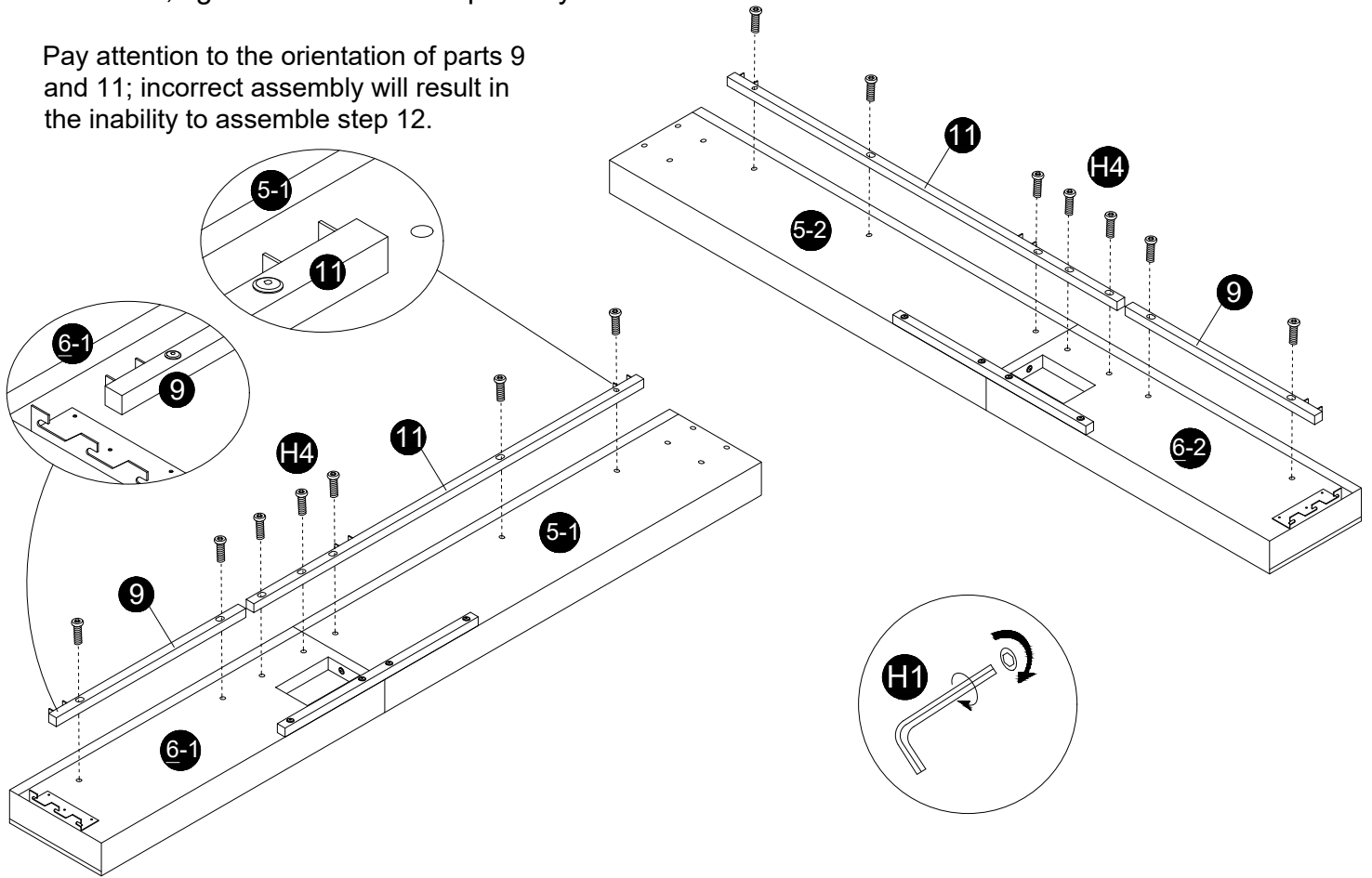
5

As shown in the diagram, align the screws with the corresponding holes and pre-fix them. Then, tighten each screw separately.

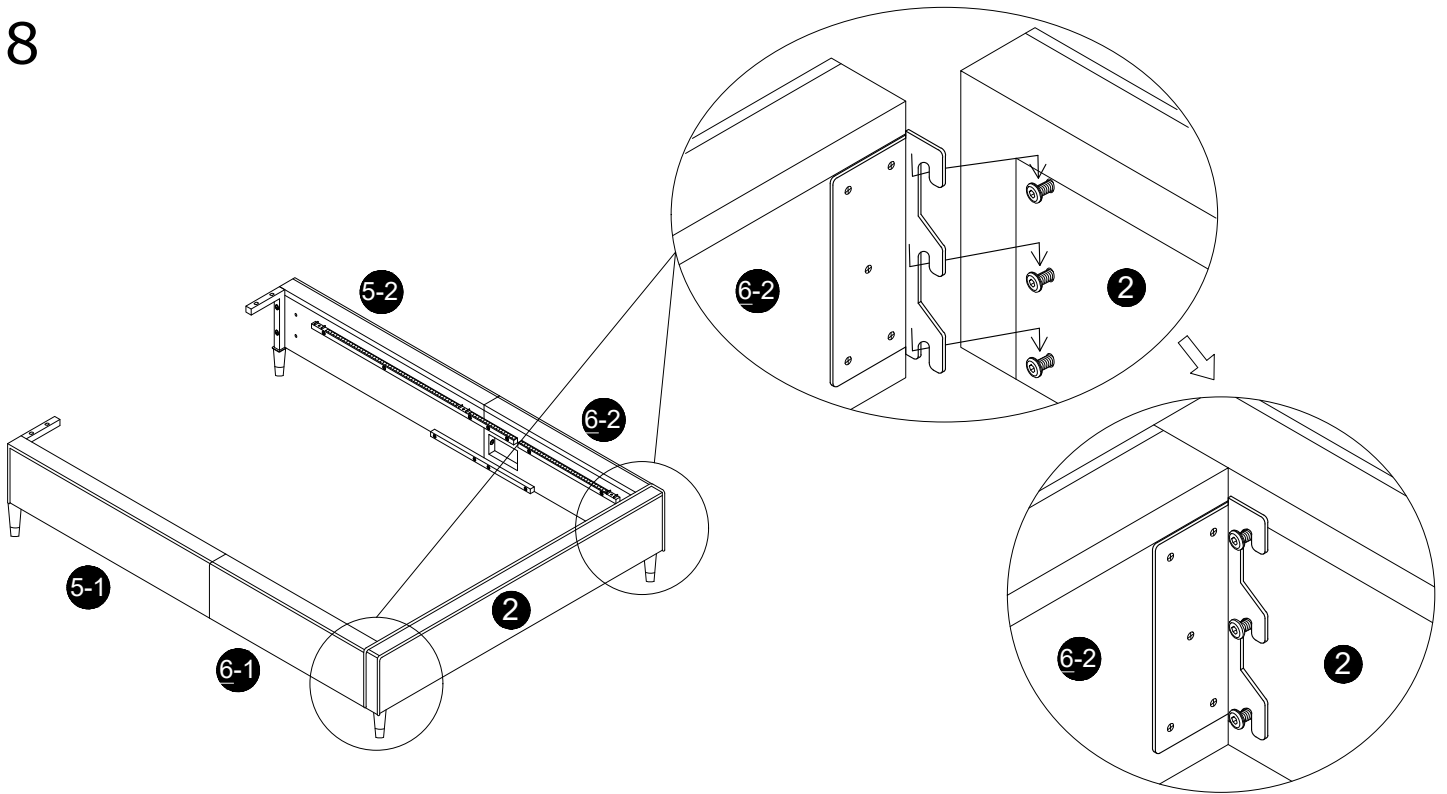


**6** As shown in the diagram, align the screws with the corresponding holes and pre-fix them. Then, tighten each screw separately.

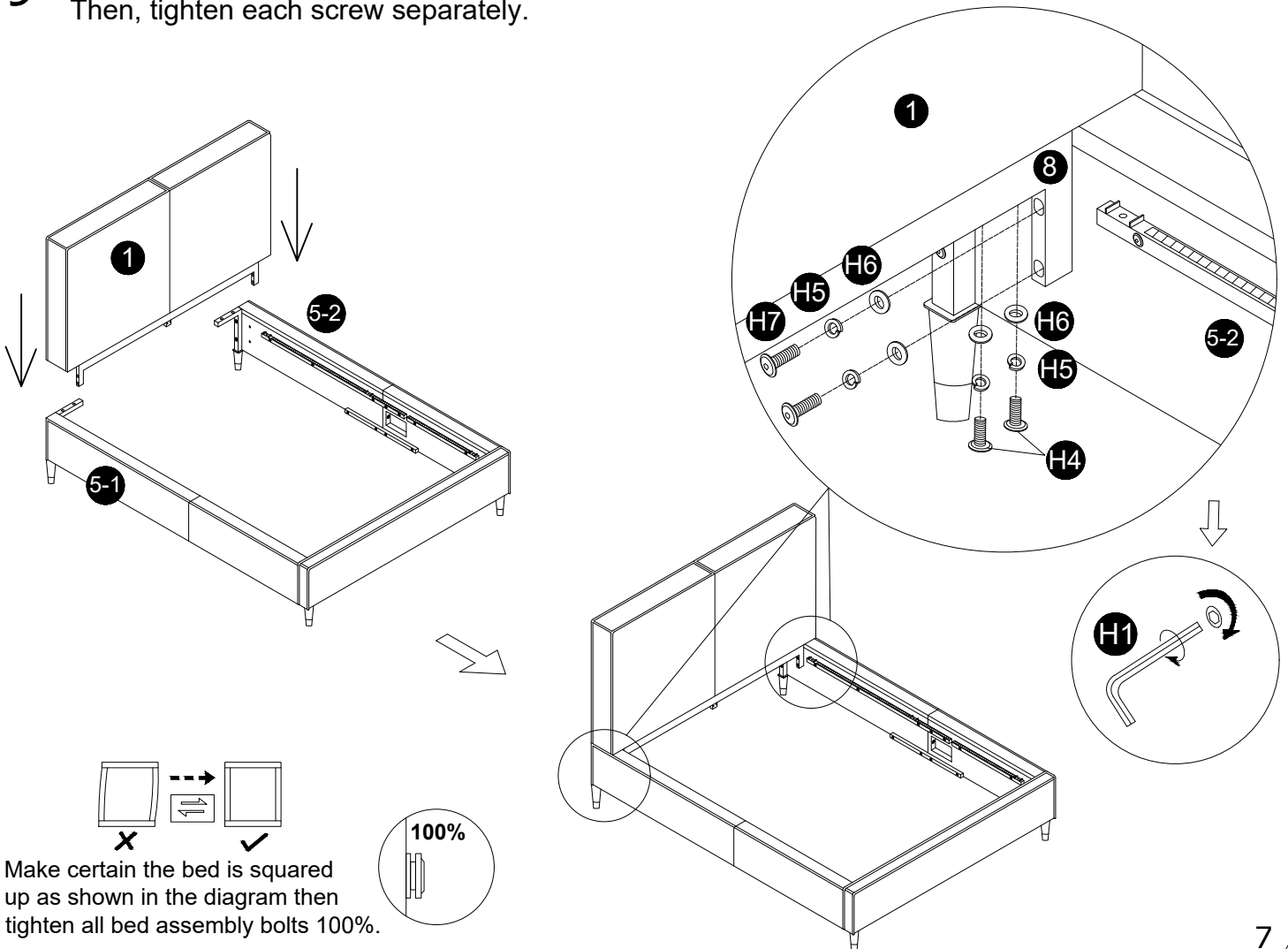
Pay attention to the orientation of parts 9 and 11; incorrect assembly will result in the inability to assemble step 12.



8

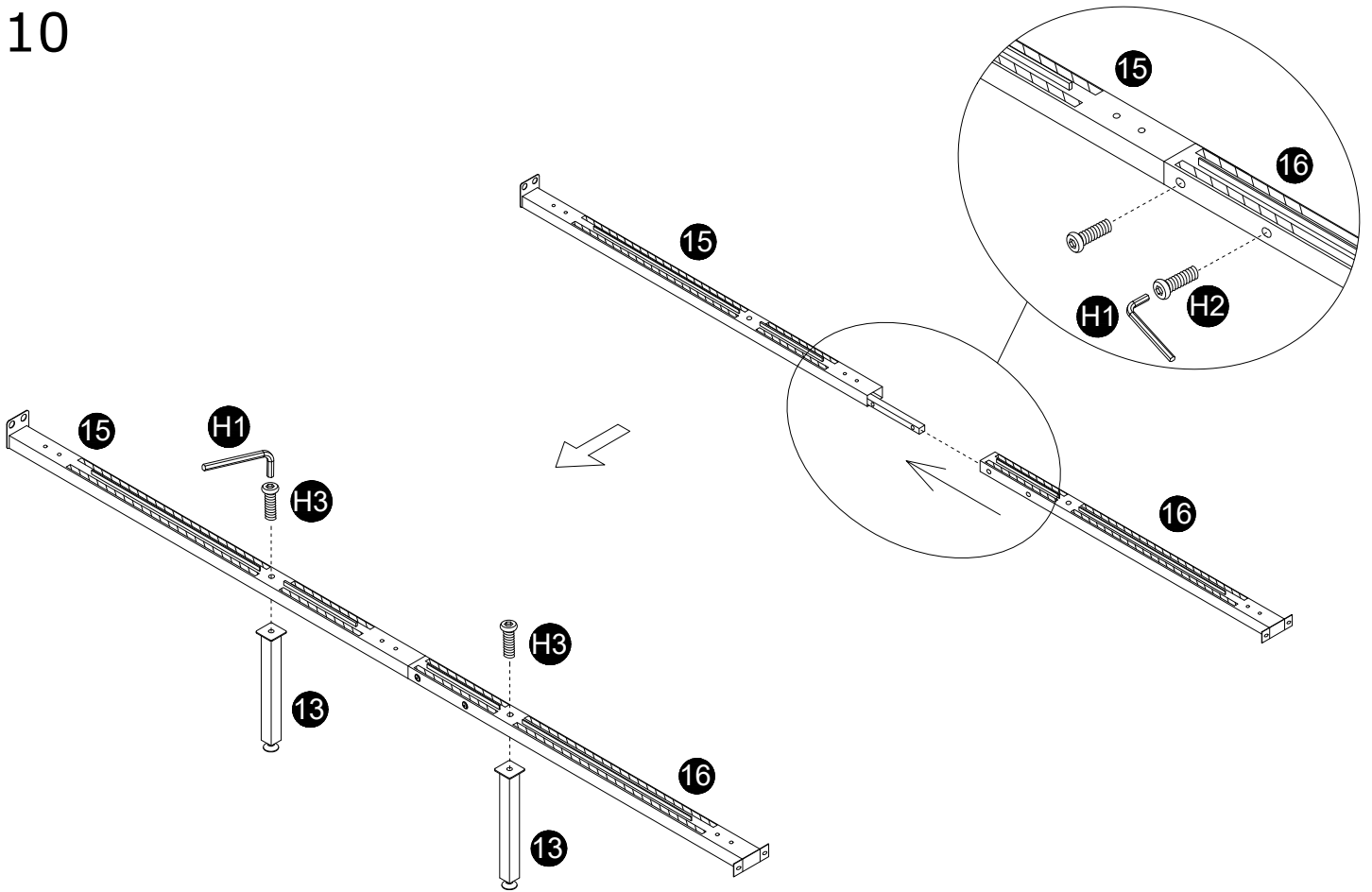


9 As shown in the diagram, align the screws with the corresponding holes and pre-fix them. Then, tighten each screw separately.

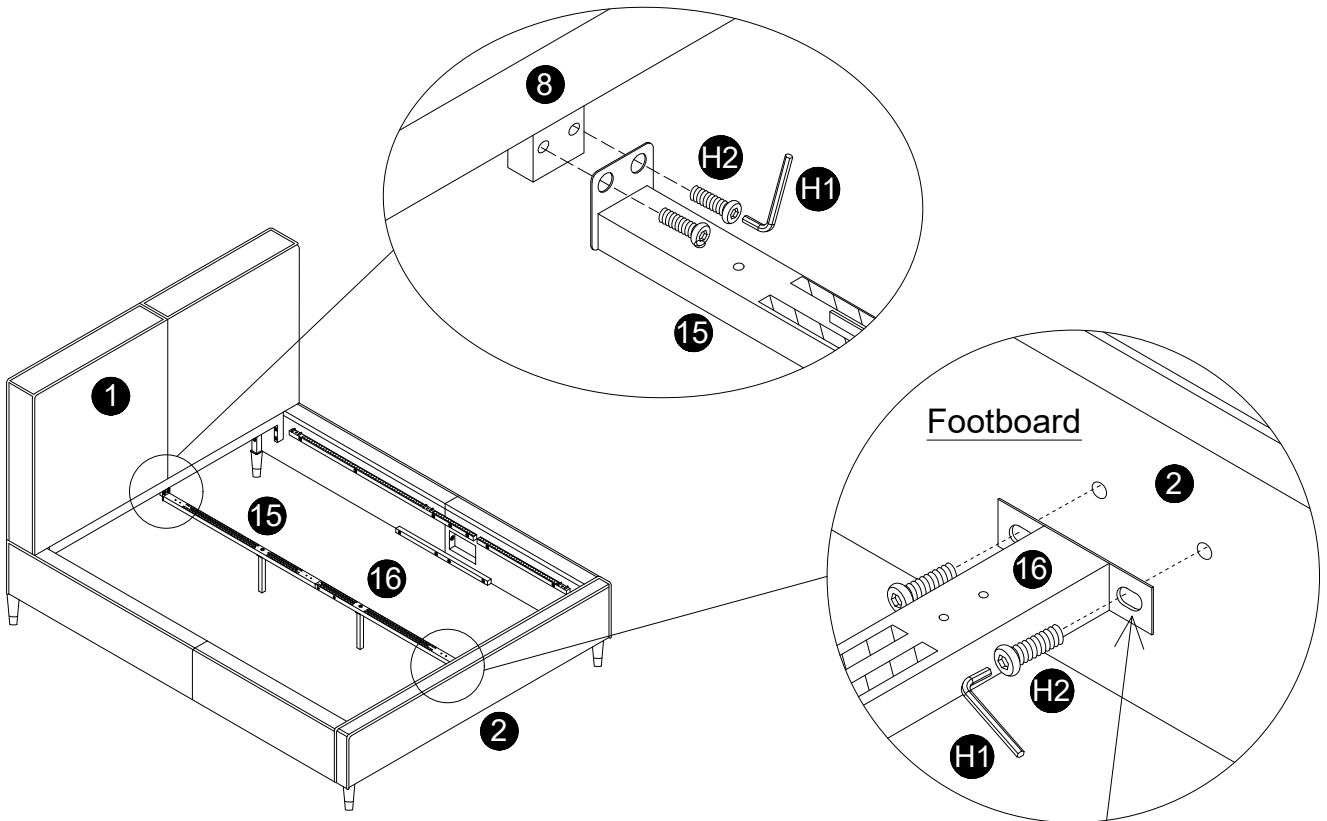


Make certain the bed is squared up as shown in the diagram then tighten all bed assembly bolts 100%.

10



11



Bolts should be in center of long holes

12

