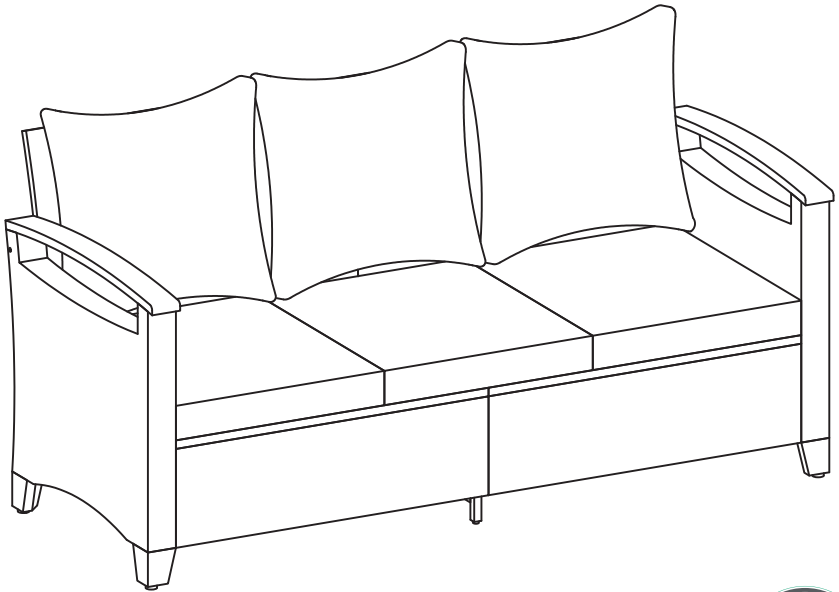


Owner Manual

Steel wicker 3-seat sofa



Tip: We recommend flattening the boxes to use as a protective work surface, or setting up your new furniture on a soft floor like a carpet.



**IMPORTANT, RETAIN FOR
FUTURE REFERENCE:
READ CAREFULLY.**

Safety

- For domestic use only.
- Always use on firm level ground.
- Don't tighten all the bolts before the product is fully assembled.
- It would be useful to ask someone to help you assemble the product.
- Periodic structural checks of this product should be undertaken, do not use if you have any doubts about its fitness for purpose.
- Do not stand on the seat.
- Do not let children play with this product.
- Maximum load per seat: 250 lbs.

At the beginning of the season

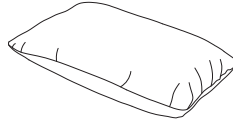
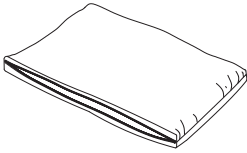
- Check to ensure that all components and fixings of this product are secure, do not use if you have any doubts about its fitness for purpose.

At the end of the season

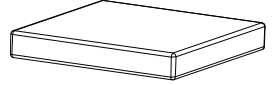
- This product should be stored under cover during prolonged spells of adverse weather (wet or cold) and also during the winter (ideally in a garden shed or garage).
- Always clean and dry thoroughly before storage.

How to Put on the Cushion Cover

1

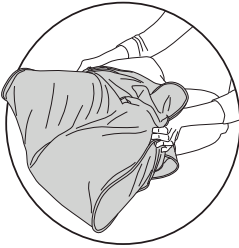


OR



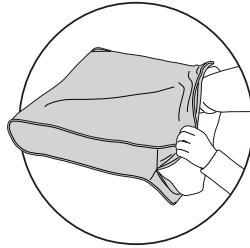
1. Take the cushion covers and inners out of the carton.

2



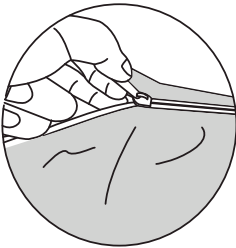
2. Fold the inner in half, pushing the sides together, then begin to slide the cover onto it.

3



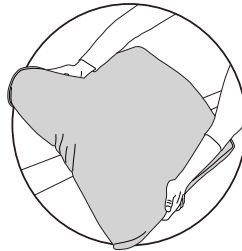
3. Align both far corners, then gently compress insert while fitting cover around it.

4



4. To avoid a stuck zipper, please pull the fabric away from the zipper before moving forward.

5

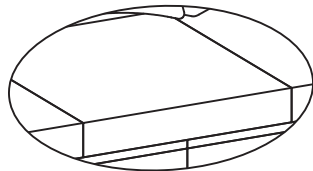


5. When all done, please pat the cushion or give it a little shake to make it more flat.














Care & Cleaning Guidelines

The covers are machine washable. Before washing, please zip the cover up to avoid catching other clothes. You can clean the dust on the chair / table / footstool with a damp cloth.













NOTICE: There is 1pc unvacuumed seat cushion in box, pls put at the middle of chair.



COMPONENT LIST – SOFA X 1

Item no.	Reference Image	Description	Qty.
A		Left Armrest	1
B		Right Armrest	1
C		Front Panel	2
D		Left Seat Base	1
E		Right Seat Base	1
F		Left Seat Back	1
G		Right Seat Back	1
H		Support Bar	1
I		Wood Feet	4
J		Seat Cushion	3
K		Back Cushion	3
R1		M6X40 Head Cap Screw	20
R2		M6X80 Head Cap Screw	2

COMPONENT LIST – SOFA X 1

Item no.	Reference Image	Description	Qty.
R3		M6X50 Head Cap Screw	3
R4		M6X20 Head Cap Screw	4
R5		M6X15 Head Cap Screw	2
Z1		M6 Washer	34
Q1		M6 Nut	3
R6		M8X60 Head Cap Screw	2
Z2		M8 Washer	4
Q2		M8 Nut	2
L		Fitting	1
U		M10 Wrench	1
V		M13 Wrench	1
X		Allen Key	2

NOTE:

Do NOT tighten any screws fully first until you have tightened all the screws.

This may cause the frame to warp.

If there is still wobbles or screw holes cannot be aligned, loosen the screws and tighten sequentially.

If the Sofa is not stable it could lead to damage to the product.

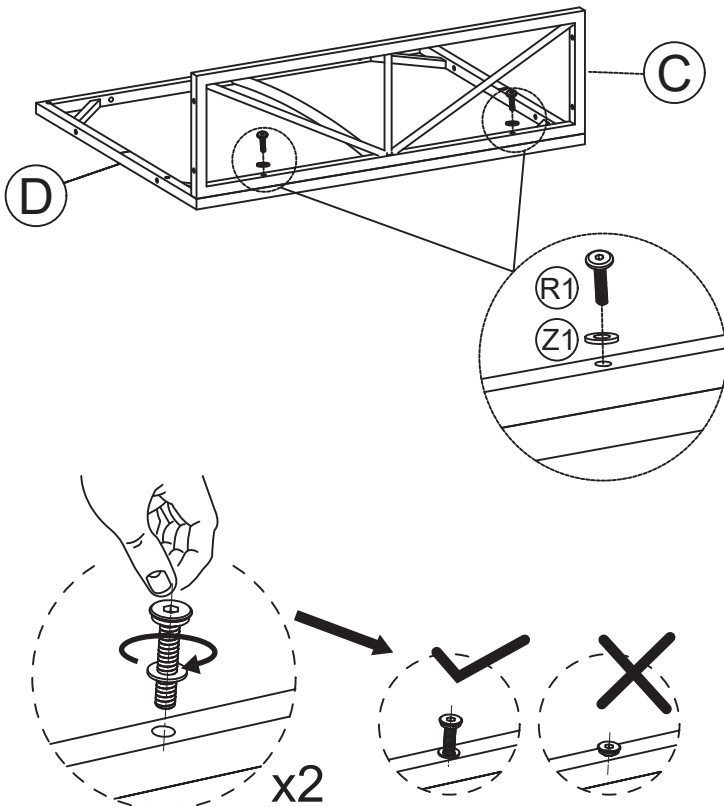
01



M6*40 Screw x2



M6 Washer x2



NOTE:DO NOT TIGHTEN THE SCREWS COMPLETELY.

02

(R1)

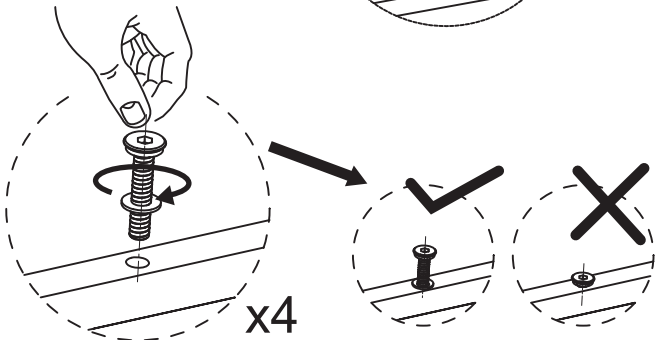
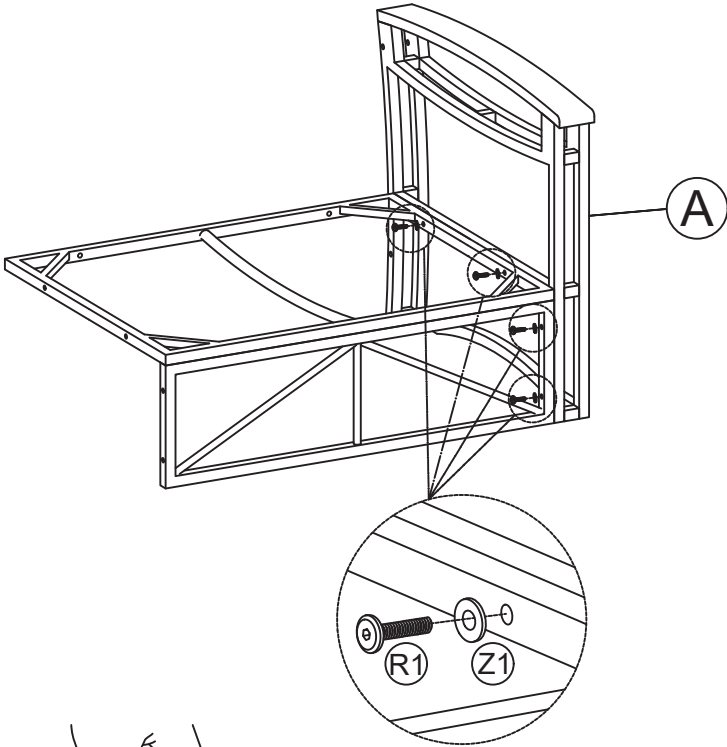


(Z1)



M6*40 Screw x4

M6 Washer x4



x4

NOTE: DO NOT TIGHTEN THE SCREWS COMPLETELY.

03

R1



M6*40 Screw x3

R2

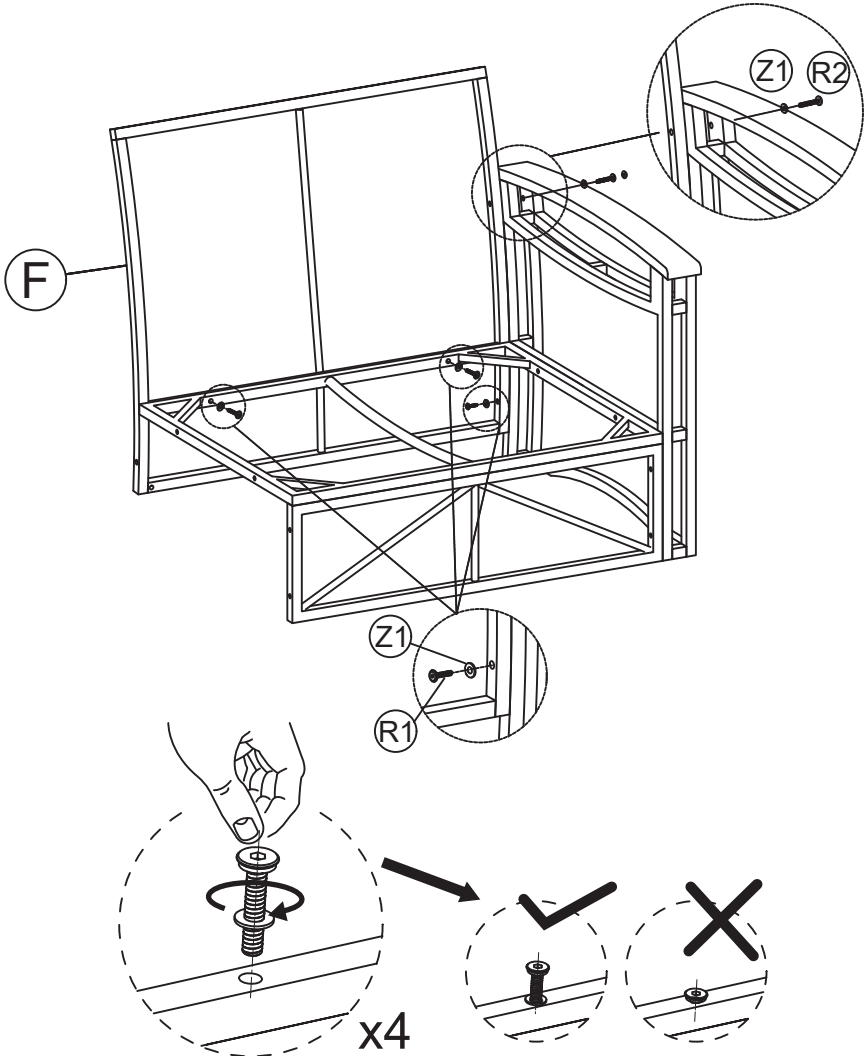


M6*80 Screw x1

Z1



M6 Washer x4



NOTE: DO NOT TIGHTEN THE SCREWS COMPLETELY.

04

(R1)

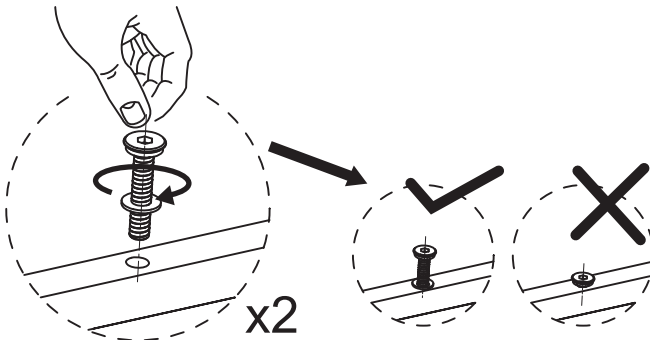
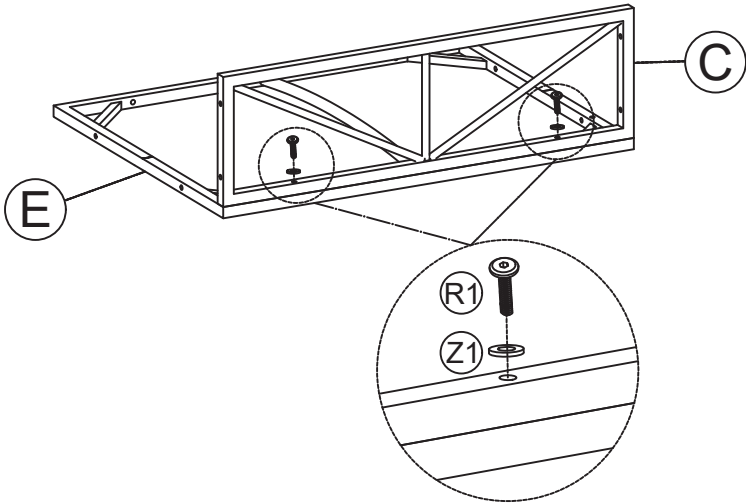


(Z1)



M6*40 Screw x2

M6 Washer x2



NOTE: DO NOT TIGHTEN THE SCREWS COMPLETELY.

05

(R1)

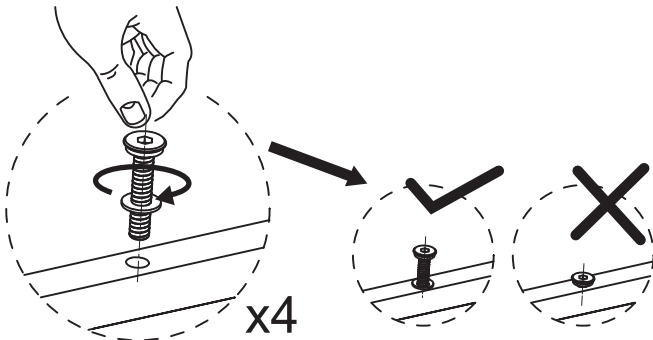
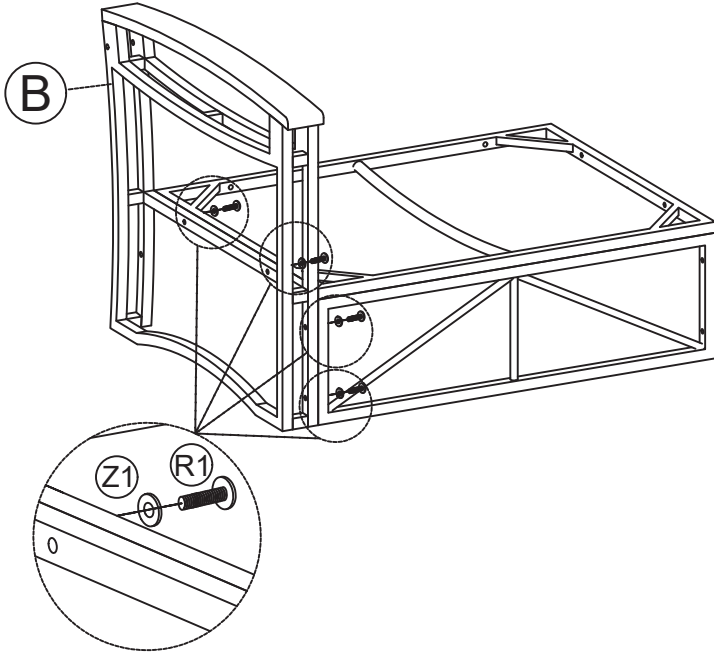


(Z1)



M6*40 Screw x4

M6 Washer x4



NOTE: DO NOT TIGHTEN THE SCREWS COMPLETELY.

06

(R1)



(R2)



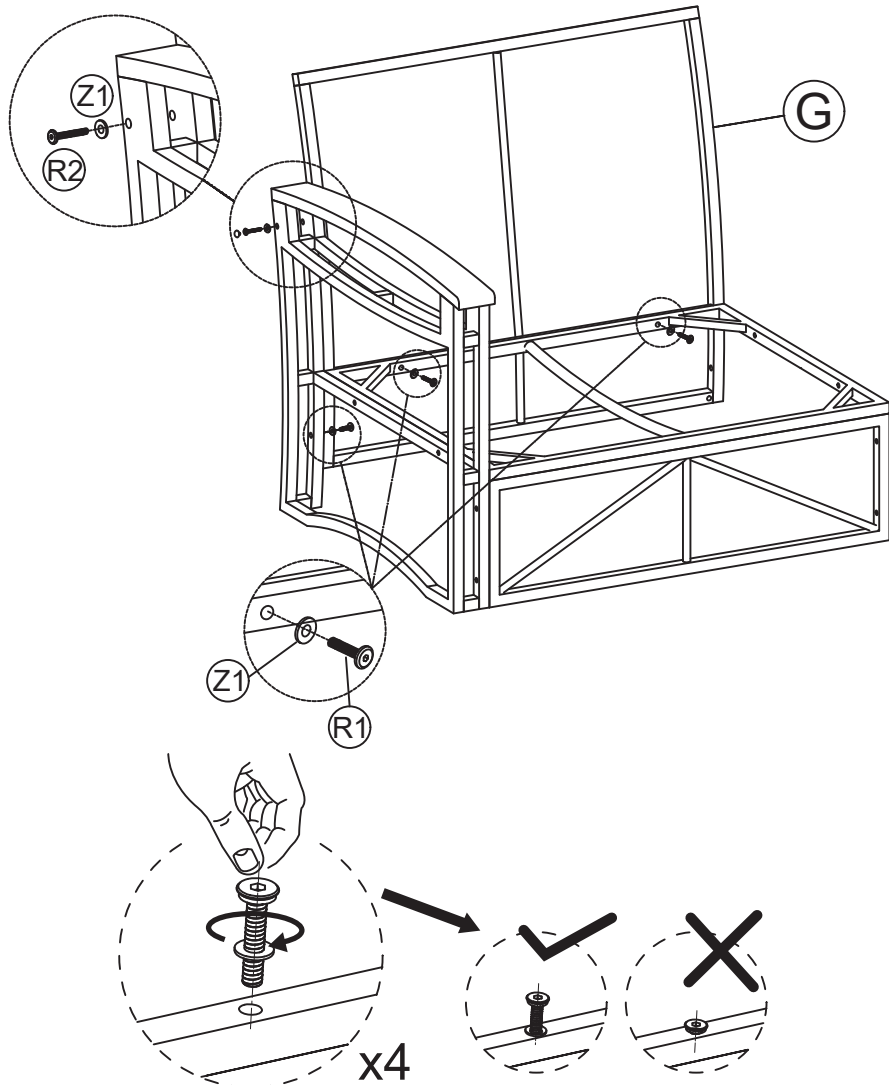
(Z1)



M6*40 Screw x3

M6*80 Screw x1

M6 Washer x4



NOTE: DO NOT TIGHTEN THE SCREWS COMPLETELY.

07



M8*60 Screw ×2



M8 Washer ×4



M8 Nut ×2



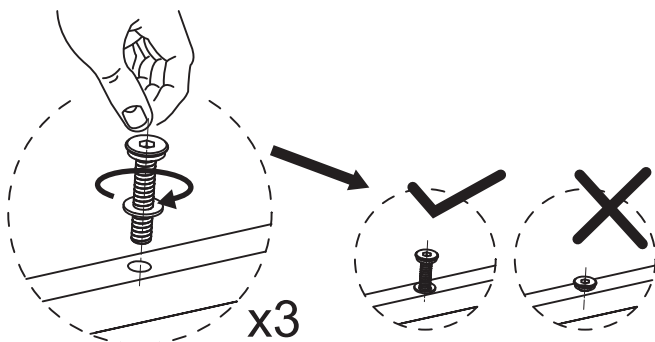
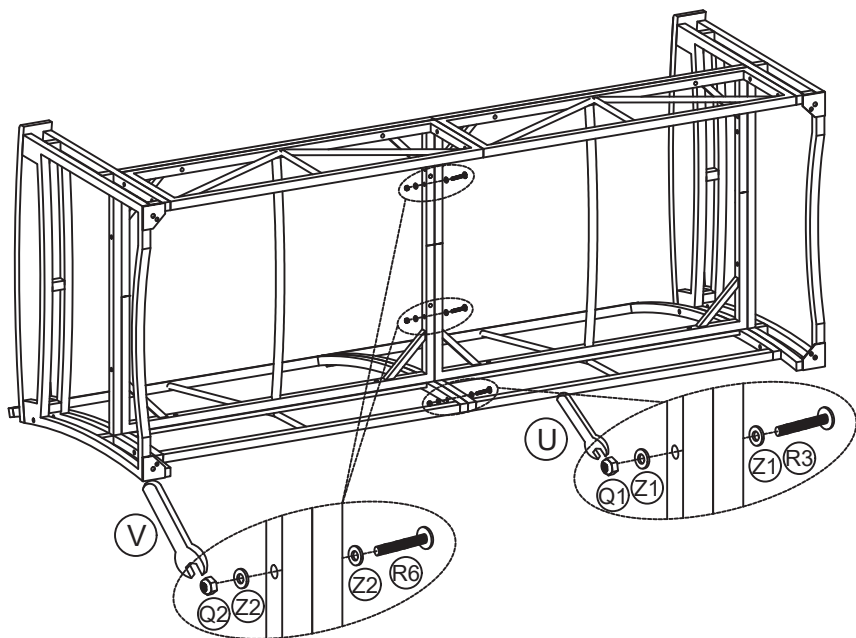
M6*50 Screw ×1



M6 Washer ×2



M6 Nut ×1



NOTE: DO NOT TIGHTEN THE SCREWS COMPLETELY.

08

R1



R3



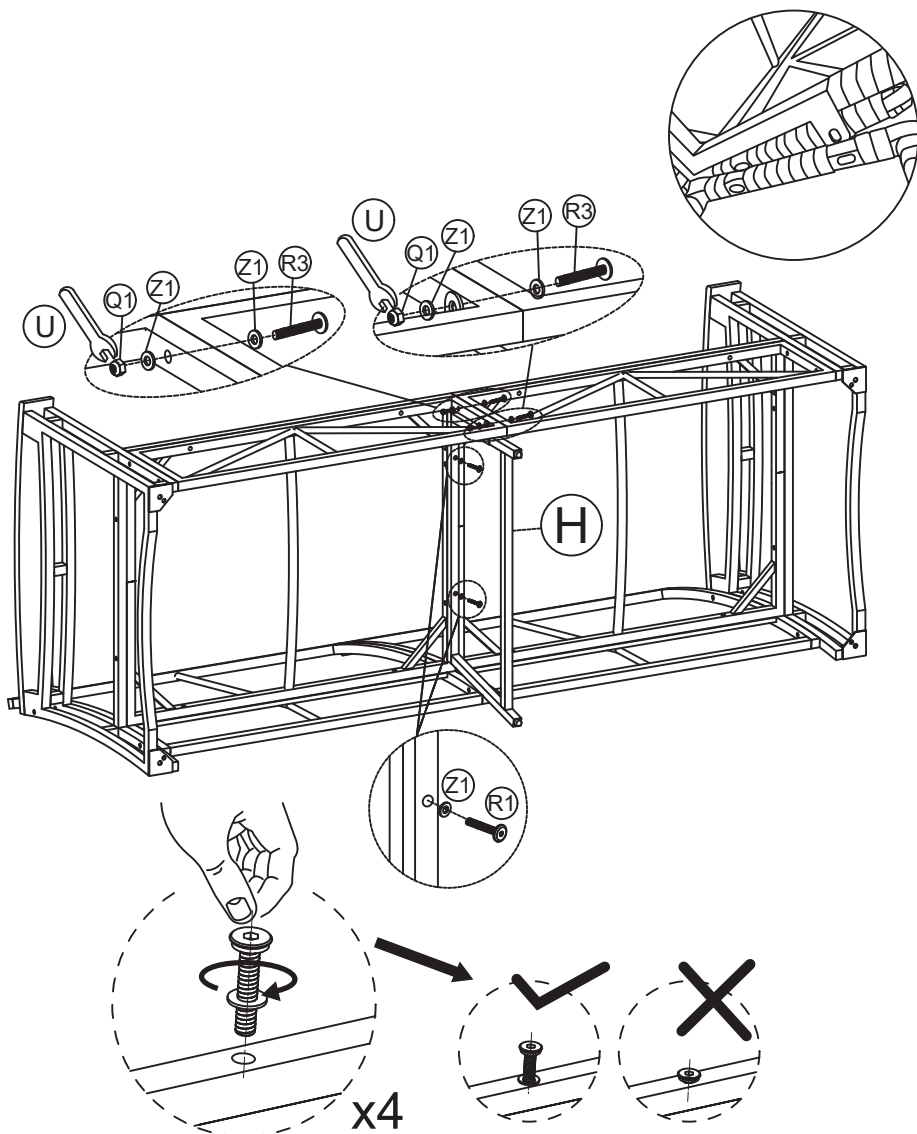
Z1



Q1



M6*40 Screw x2 M6*50 Screw x2 M6 Washer x6 M6 Nut x2



NOTE: DO NOT TIGHTEN THE SCREWS COMPLETELY.

09

R4

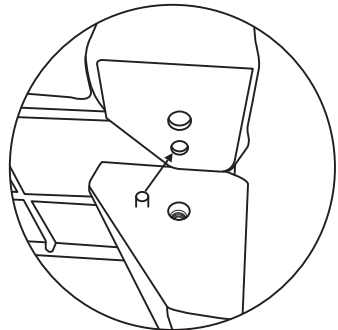
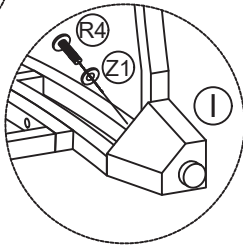
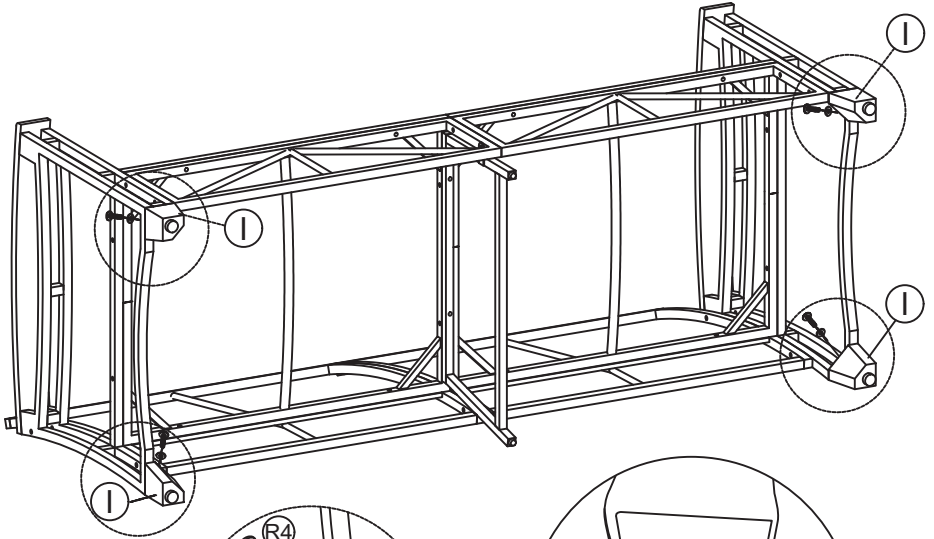


Z1

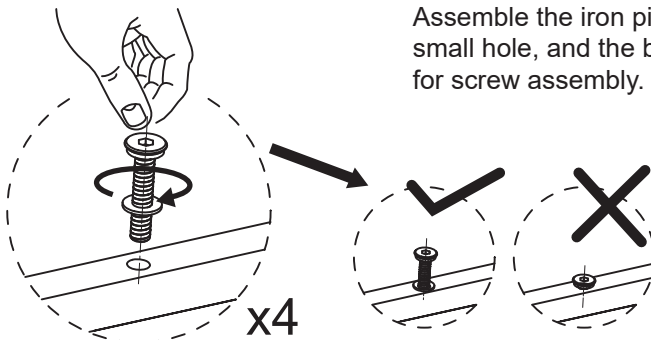


M6*20 Screw x4

M6 Washer x4



Assemble the iron pin into the small hole, and the big hole is for screw assembly.



NOTE: DO NOT TIGHTEN THE SCREWS COMPLETELY.

10

(L)



(R5)



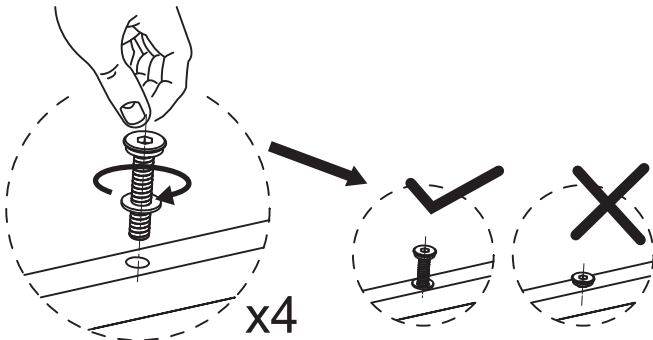
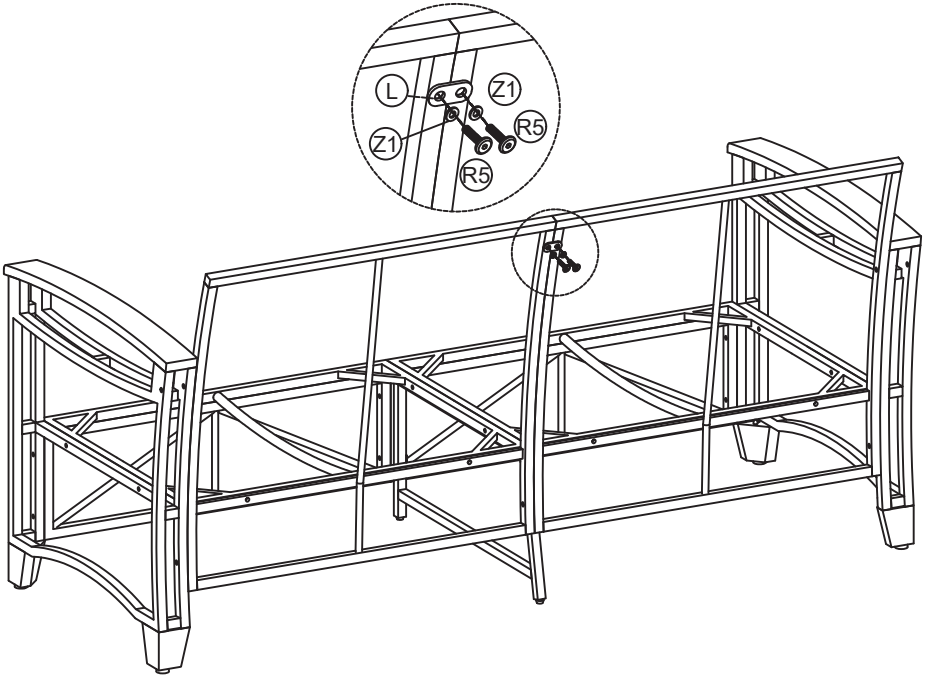
(Z1)



Fitting ×1

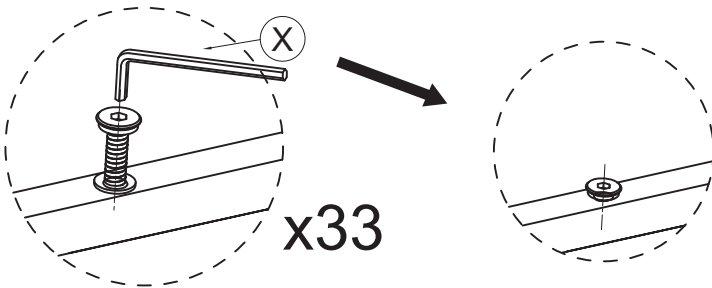
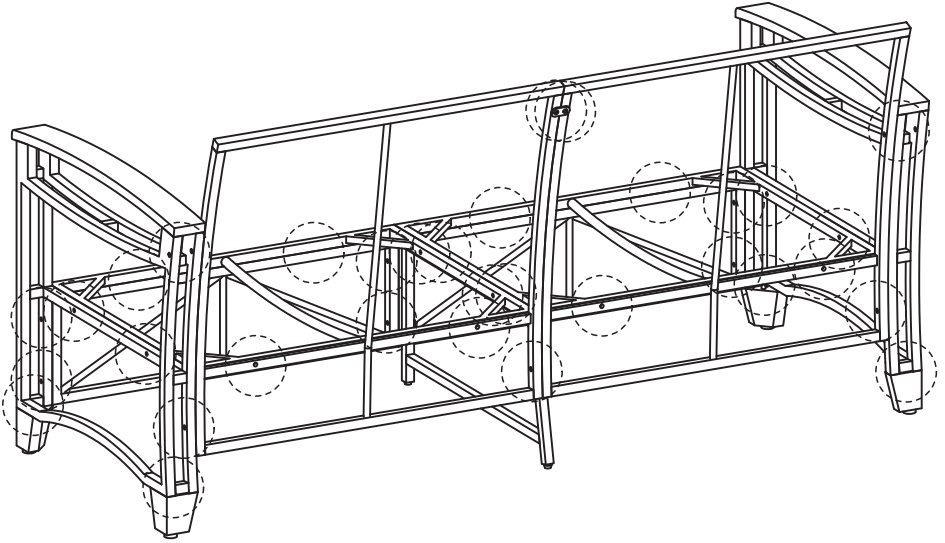
M6*15 Screw ×2

M6 Washer ×2



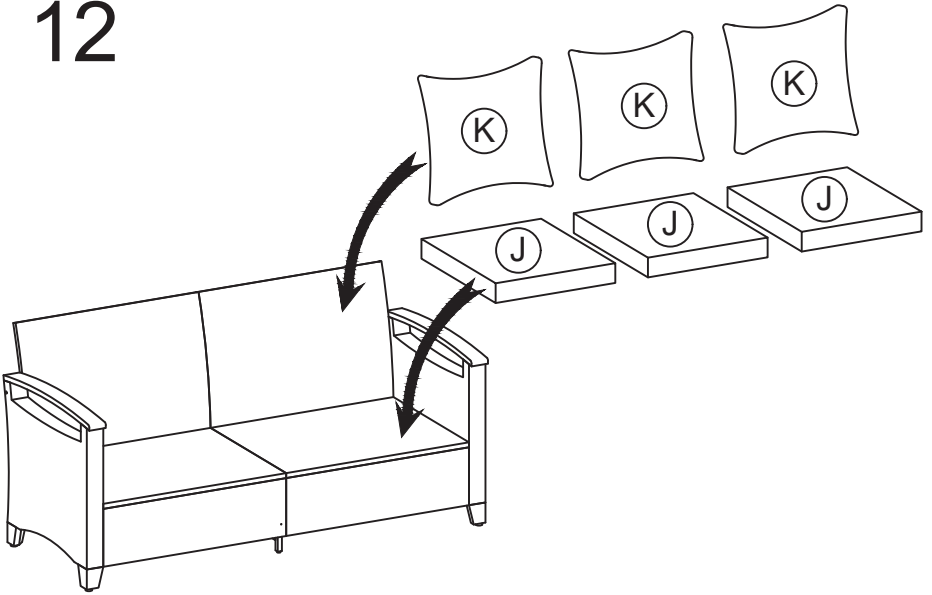
NOTE: DO NOT TIGHTEN THE SCREWS COMPLETELY.

11 Tighten all 33 Screws into place with Allen Key.



NOTE:IF ANY SCREW HOLES CANNOT BE ALIGNED, LOOSEN ALL THE SCREWS AND GO BACK STEP 1 AND RESTART ASSEMBLY.

12



13

