

## CARE AND MAINTENANCE

Spot clean using a mild water-free solvent. Only a professional cleaner should undertake a complete overall cleaning.

The use of steam or water-based cleaners may cause excessive shrinking or staining.








## NOTICE

\* Please make sure that you have all parts indicated before you begin assembly of this item

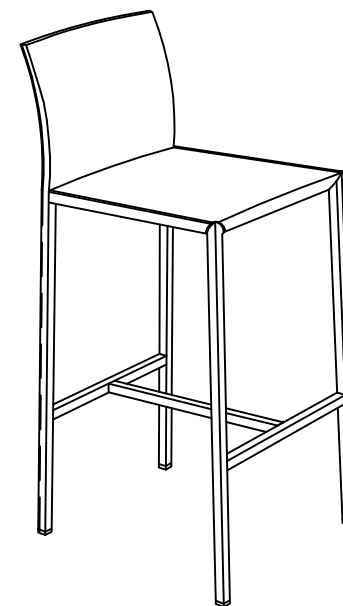
\* This item should be assembled on a soft surface to prevent scratching the finish during assembly

\* This item may require periodic tightening

## Part List and Hardware List

PIECE	DESCRIPTION	PICTURE	QUANTITY
A	Back		1X
B	Seat		1X
C	Rails		1X
H1	Screw	 M8*15mm	4X
H2	Allen key	 M5mm	1X
H3	Bolt	 M6*35mm	4X
H4	Allen key	 M4mm	1X

Product Dimensions:17"WX18-1/2"DX39"H



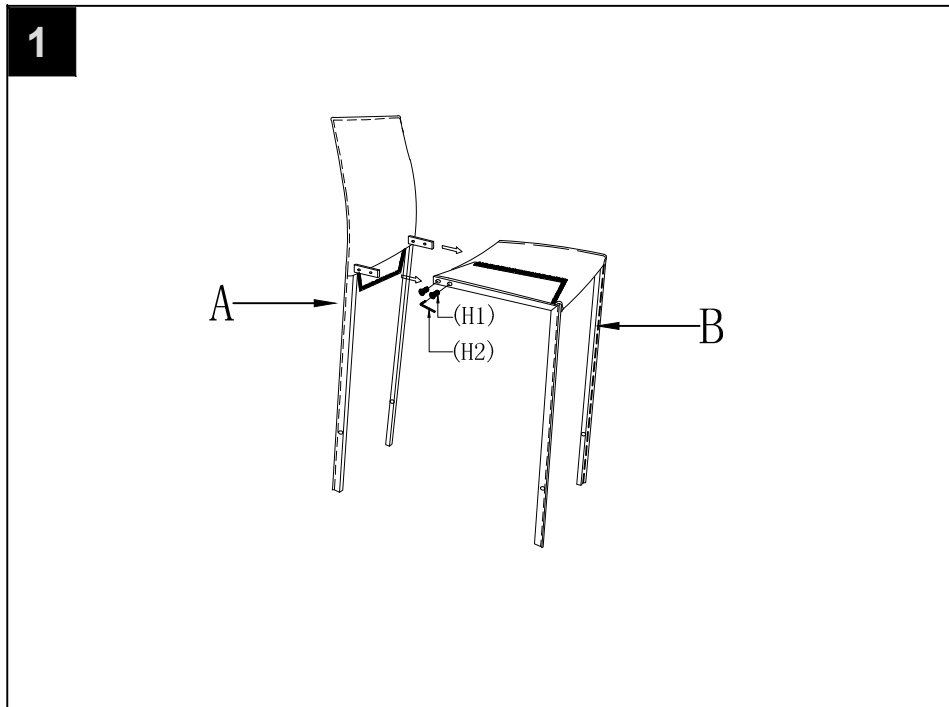
## PREPARATION

Before beginning assembly of product, make sure all parts are present. Compare parts with package contents list and hardware contents list.

If any part is missing or damaged, do not attempt to assemble the product.

Estimated Assembly Time: 10 minutes.

Tools Required for Assembly (included): Allen Key

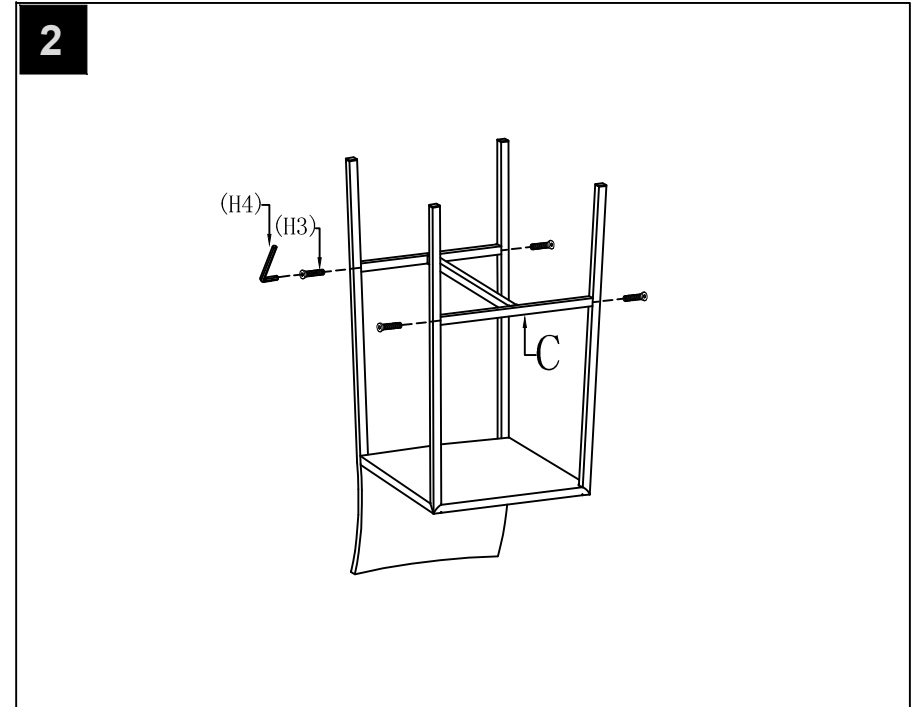


### Step 1

Please open the leather of two sides gently, then finish up assembly stick the sides leather.

Insert the metal bars of back A into the metal tube of set B.

Use Allen wrench H2 tighten screw H1.



### Step 2

Turn the Chair frame upsidedown.

Use Allen wrench H4 to tighten bolt H3 from A(B) to rails C.