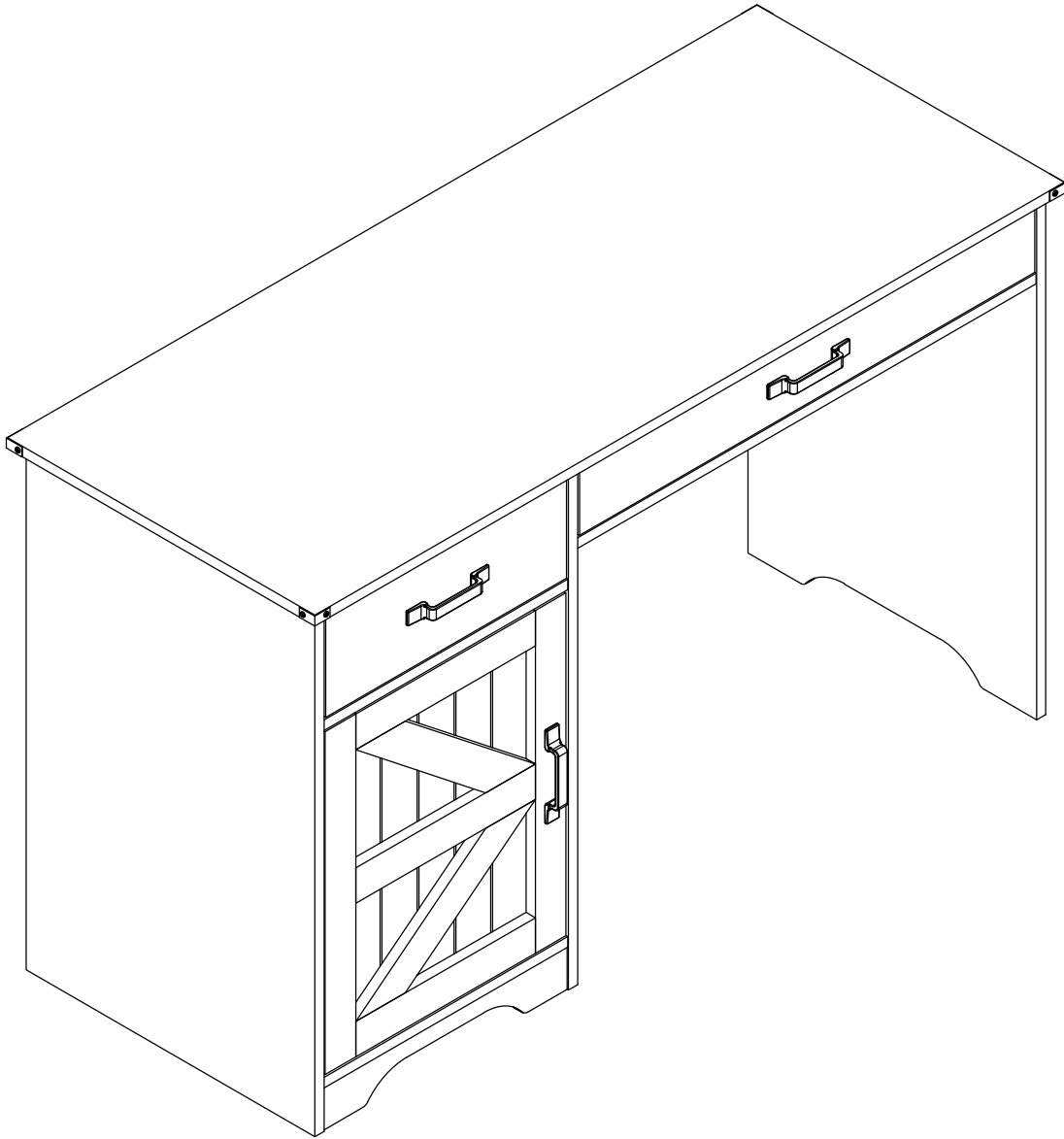
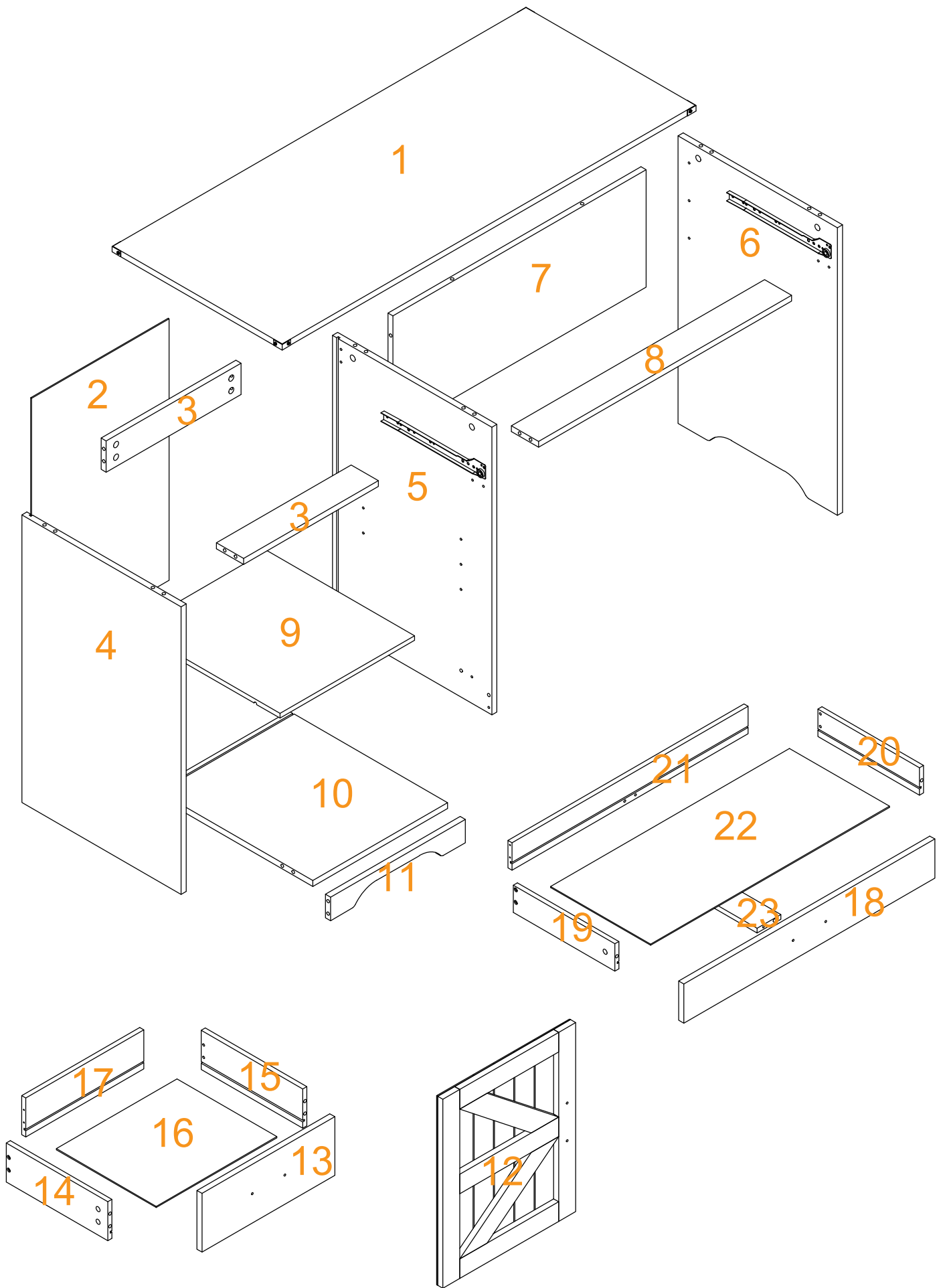


SKU:SF001012WH
SF001012GR
SF001012NA





Trouble Shooting

Missing/Damaged pieces/
Wrong size and installation issues



Contact us with your problem, pic,
number and qty to the "Contact seller"
button in the detail page of your order



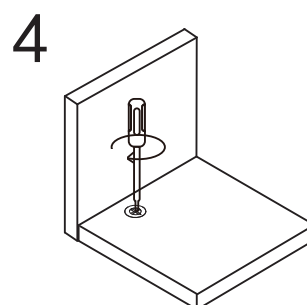
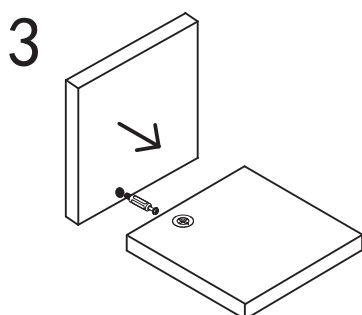
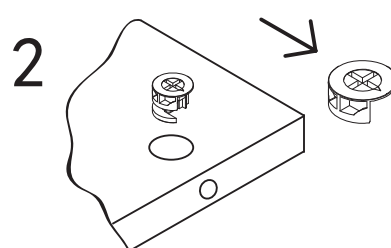
Respond with 24 hours to solve issue

Before You Start

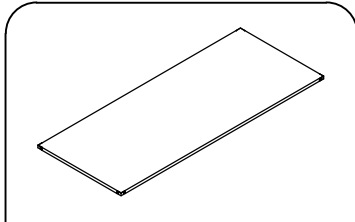
1. Read through each step carefully and follow the proper order
2. Separate and count all your parts and hardware
3. Give yourself enough room for the assembly process
4. Caution: If using a power drill or power screwdriver for screwing, please be aware to slow down and stop when screw is tight. Failure to do so may result in stripping the screw

Cam Lock Fastening System

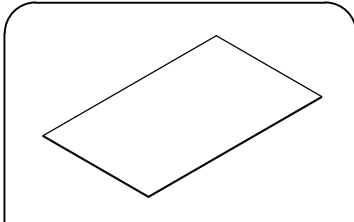
This Cam Lock Fastening System will be used throughout the assembly process



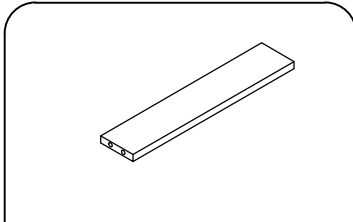
Parts List



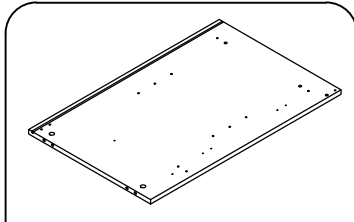
1 1PC



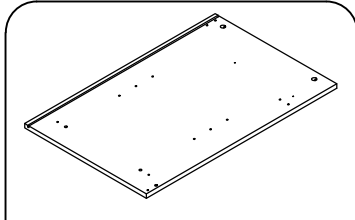
2 1PC



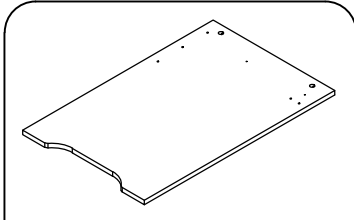
3 2PCS



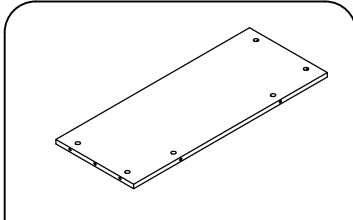
4 1PC



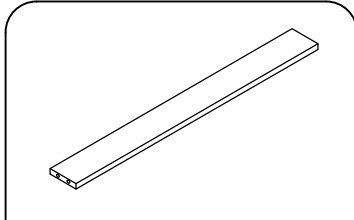
5 1PC



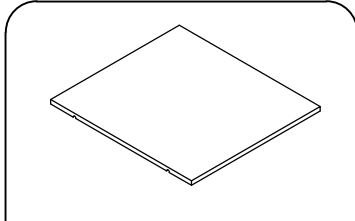
6 1PC



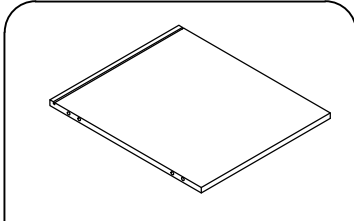
7 1PC



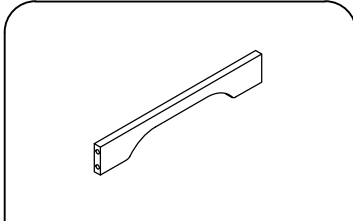
8 1PC



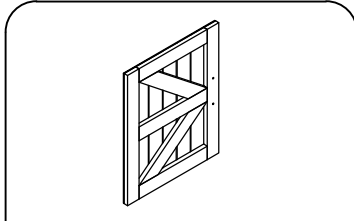
9 1PC



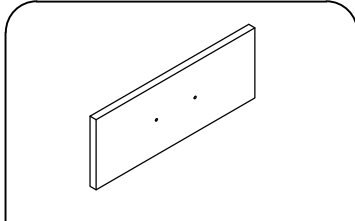
10 1PC



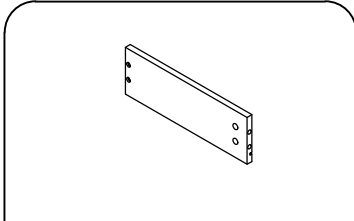
11 1PC



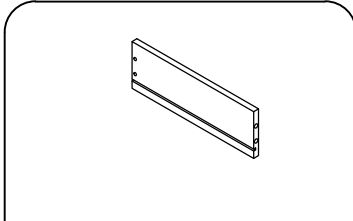
12 1PC



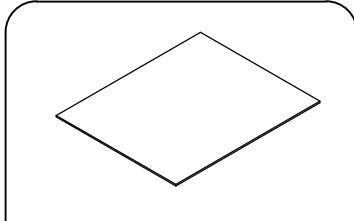
13 1PC



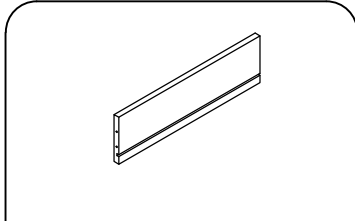
14 1PC



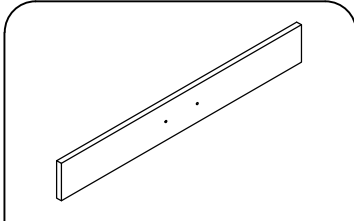
15 1PC



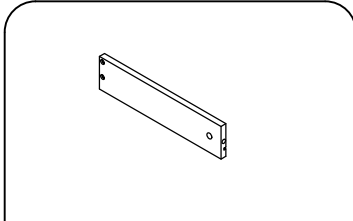
16 1PC



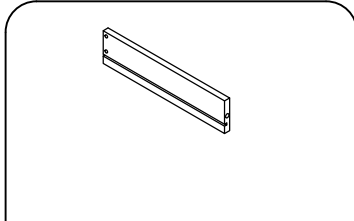
17 1PC



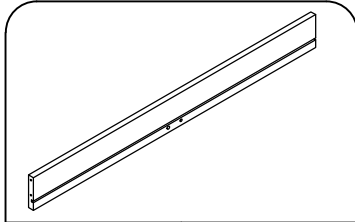
18 1PC



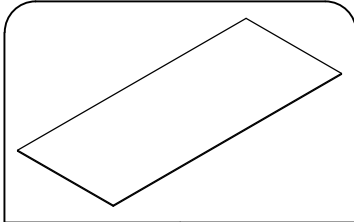
19 1PC



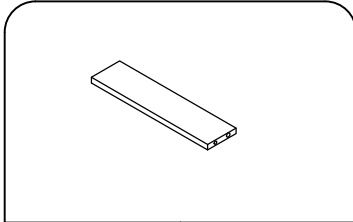
20 1PC



21 1PC

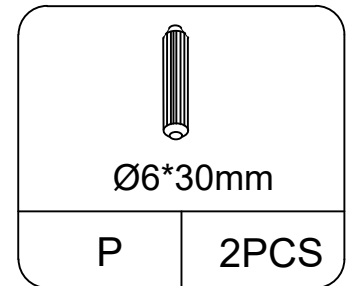
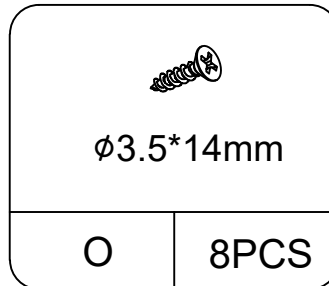
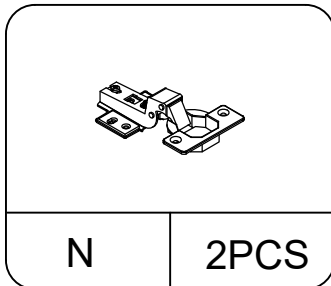
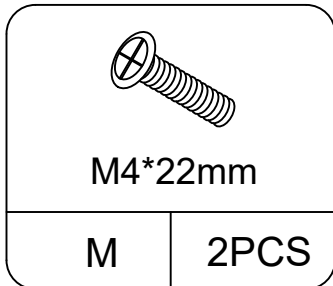
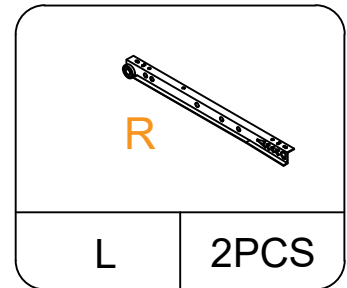
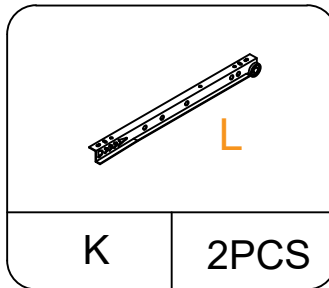
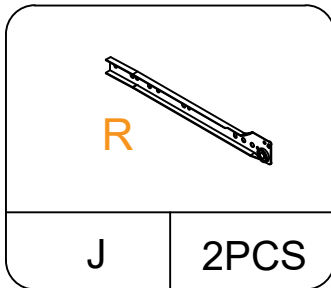
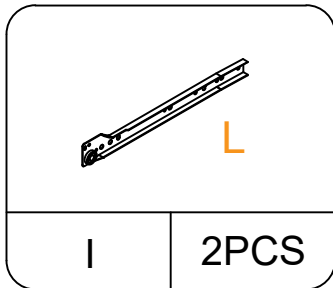
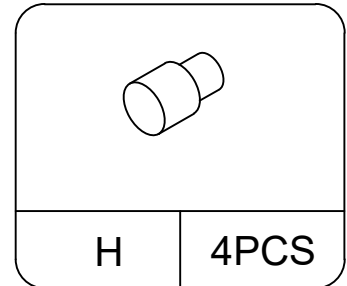
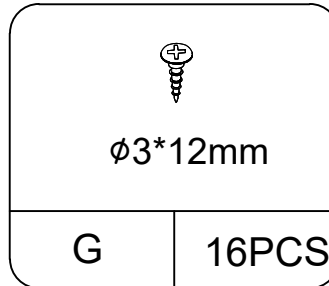
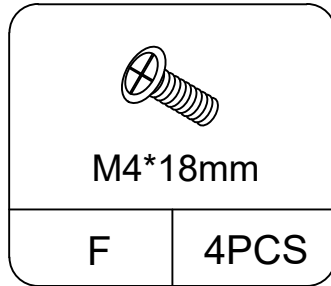
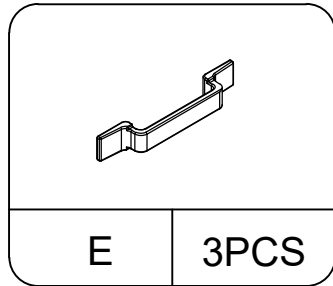
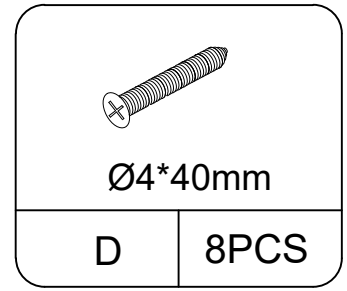
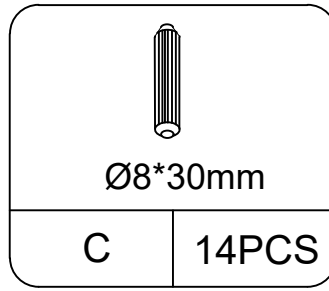
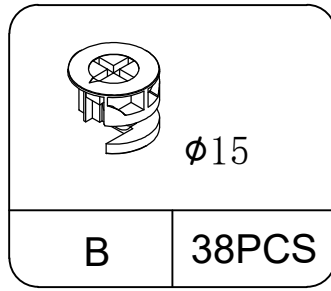
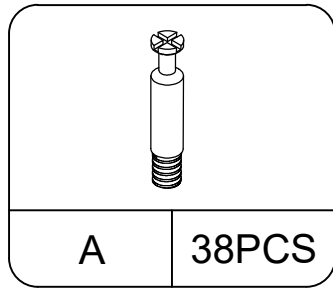


22 1PC

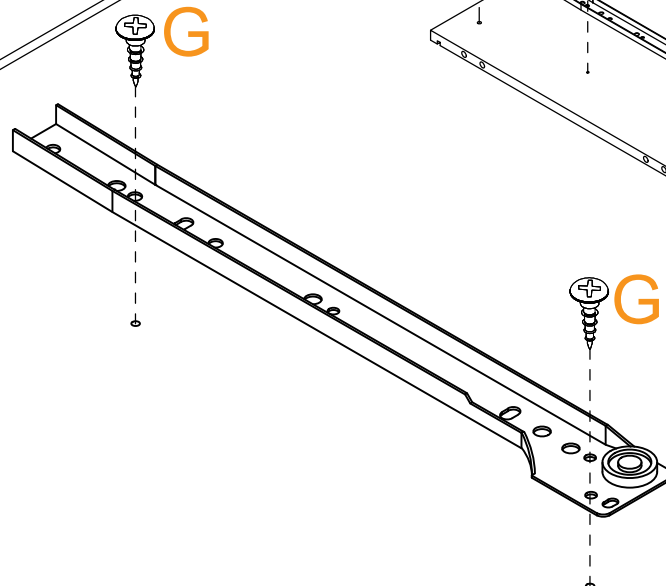
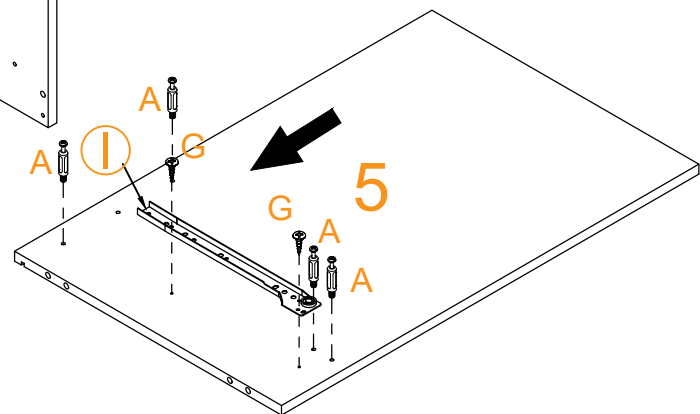
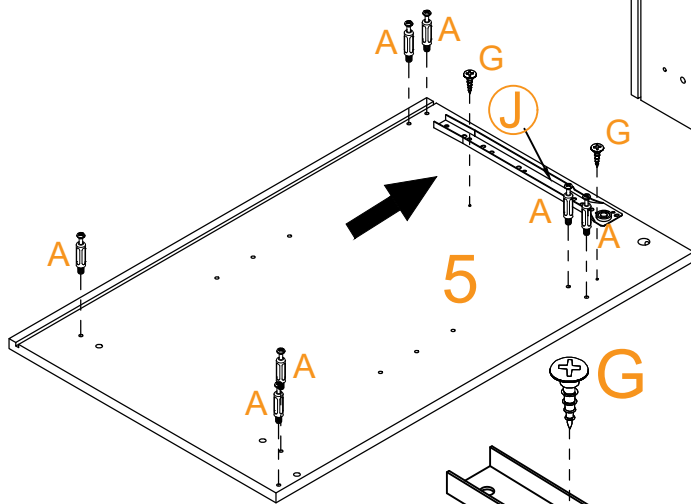
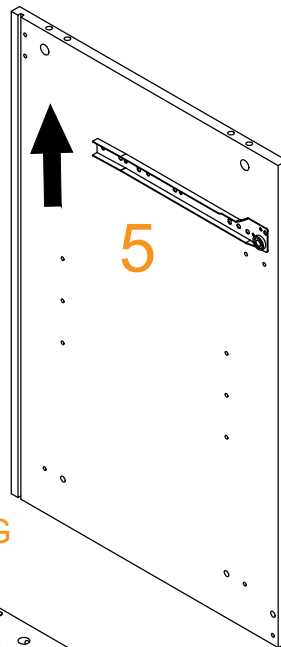
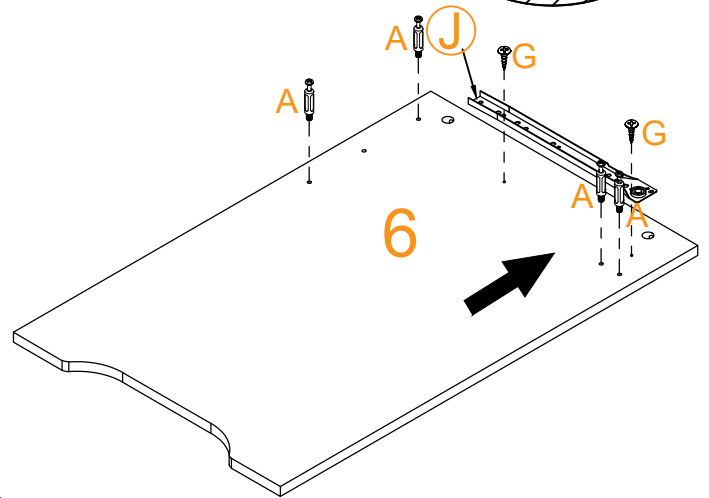
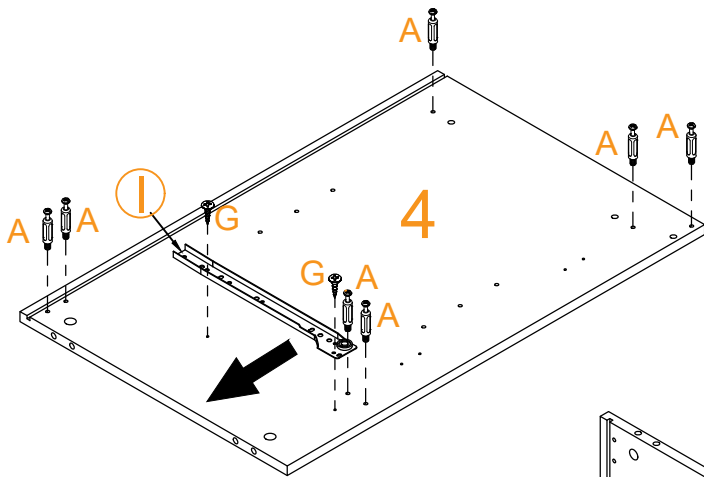
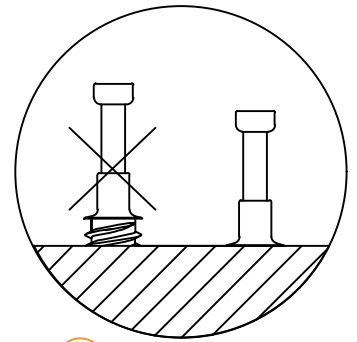
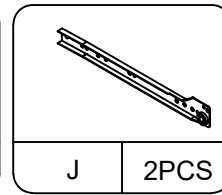
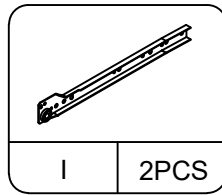
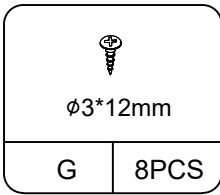
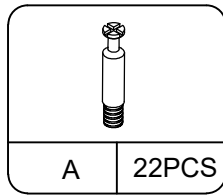


23 1PC

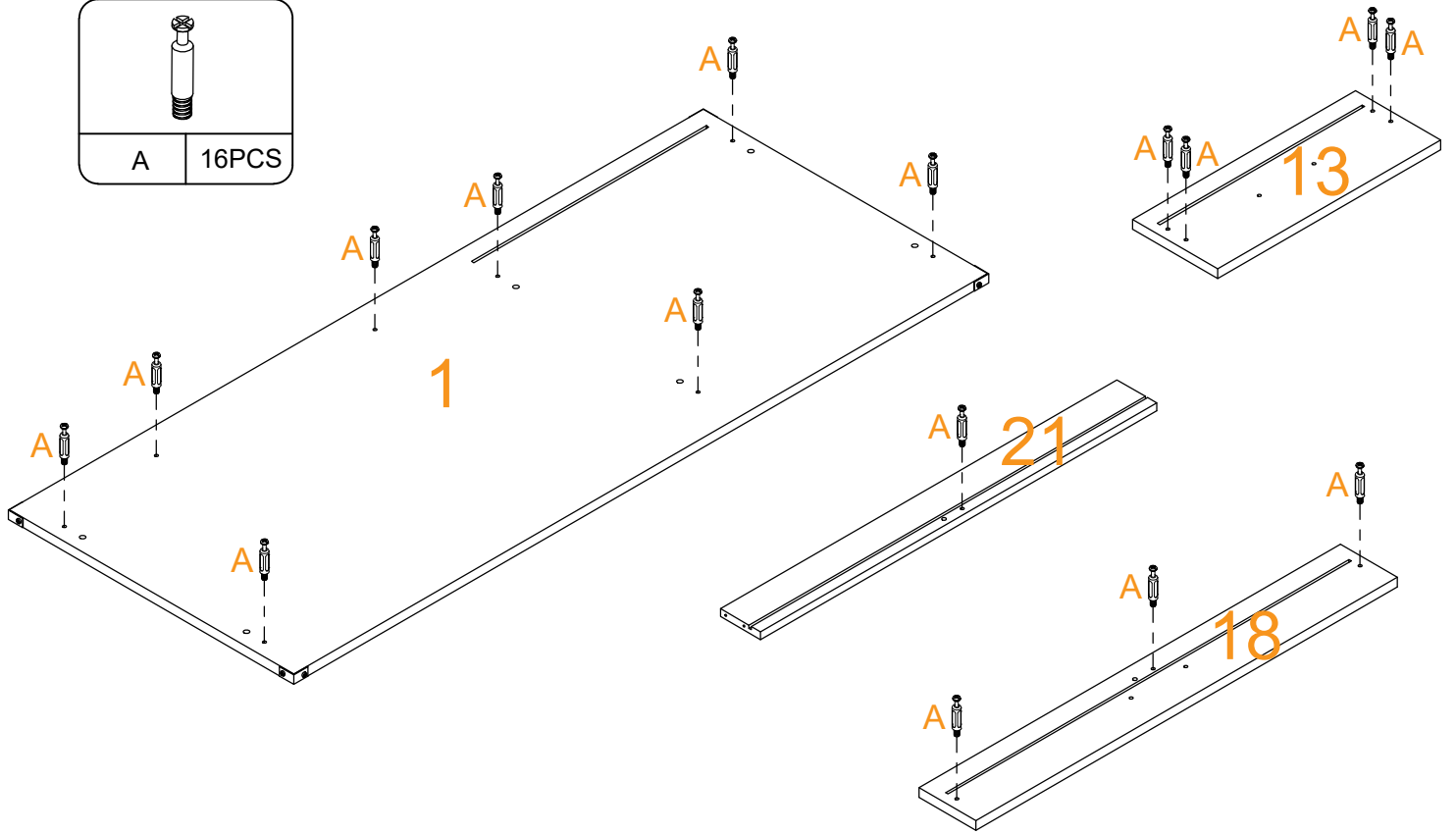
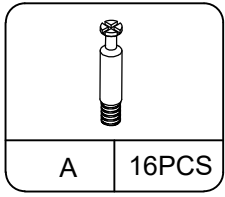
Hardware List



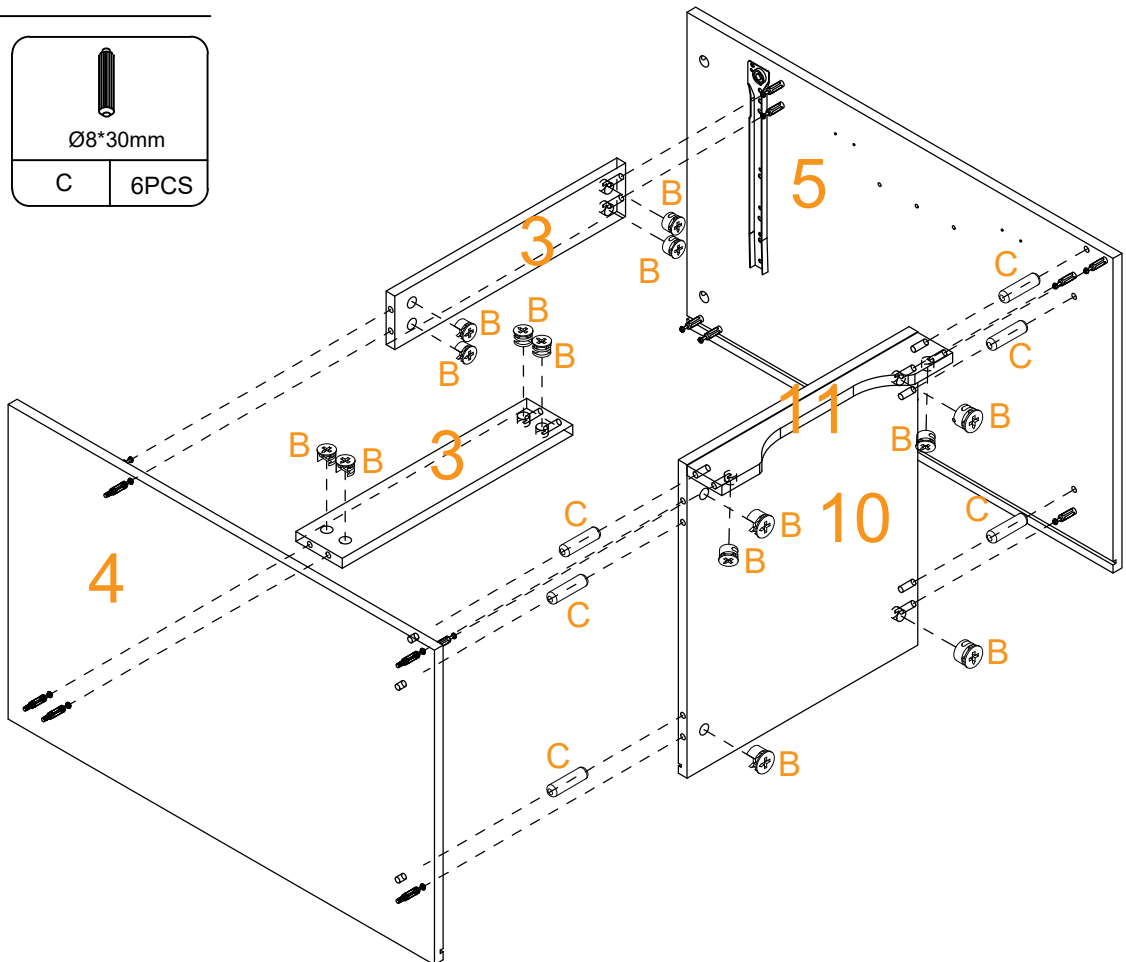
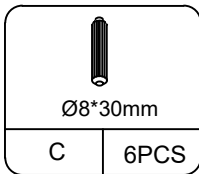
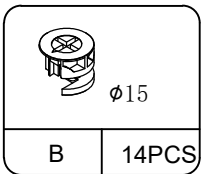
STEP 1




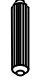
STEP 2

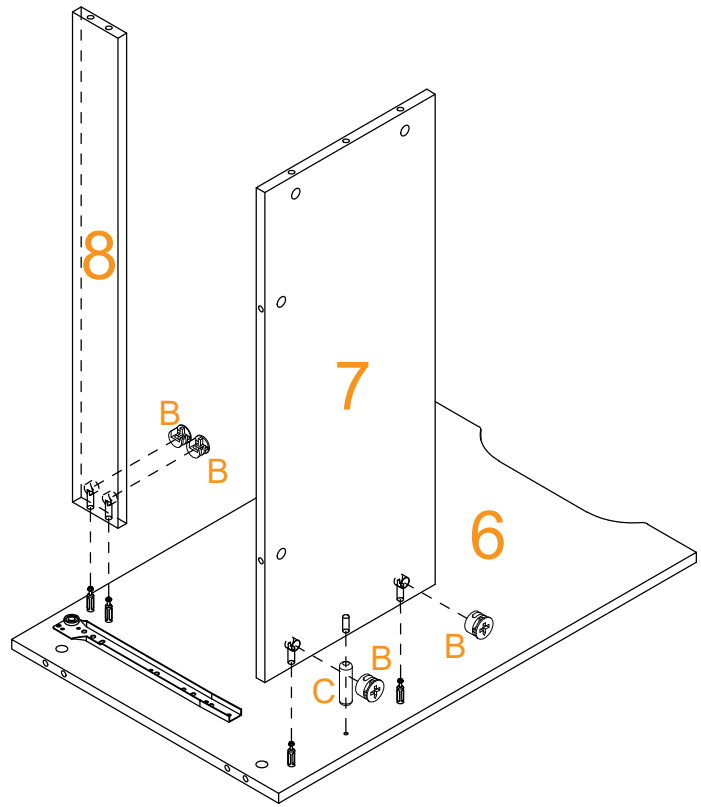


STEP 3





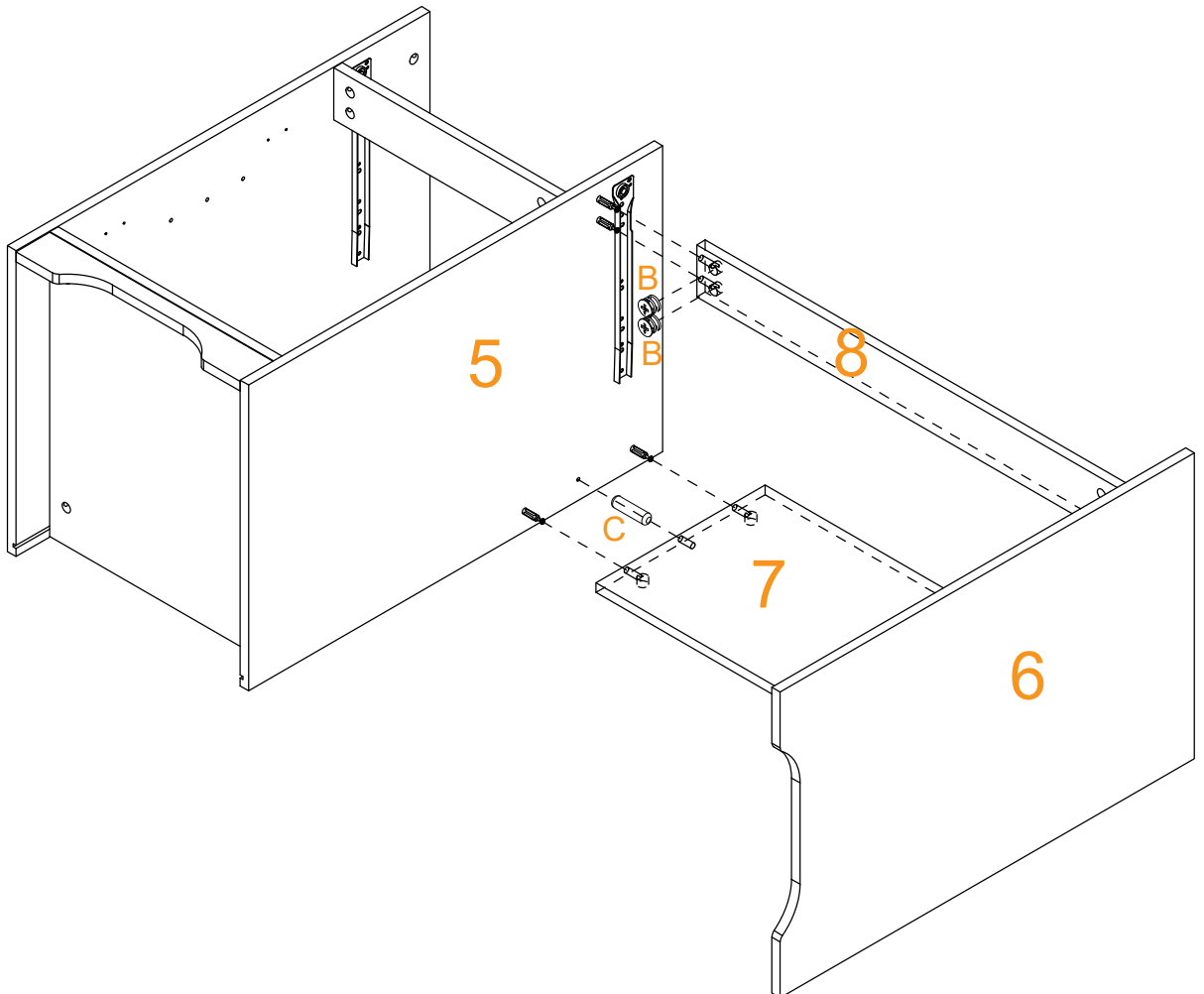
STEP 4

| | | | |
|---|-----------|---|--------------------------------|
|  | $\phi 15$ |  | $\text{Ø}8 \times 30\text{mm}$ |
| B | 4PCS | C | 1PCS |

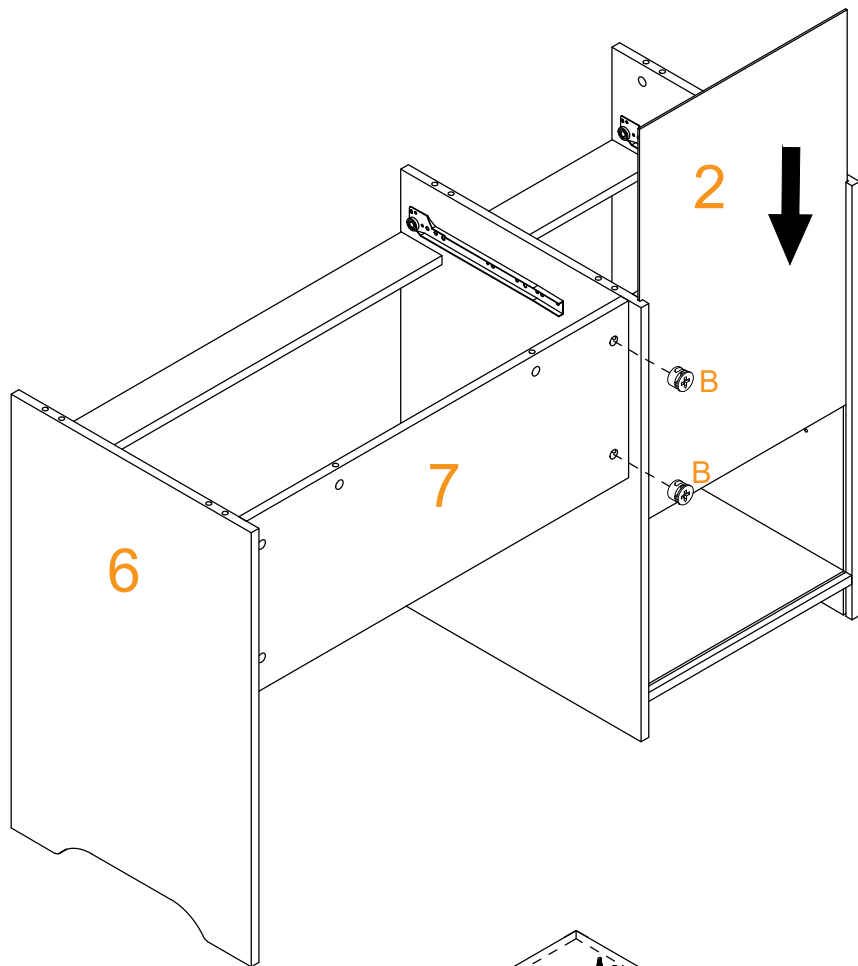
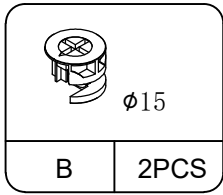


STEP 5

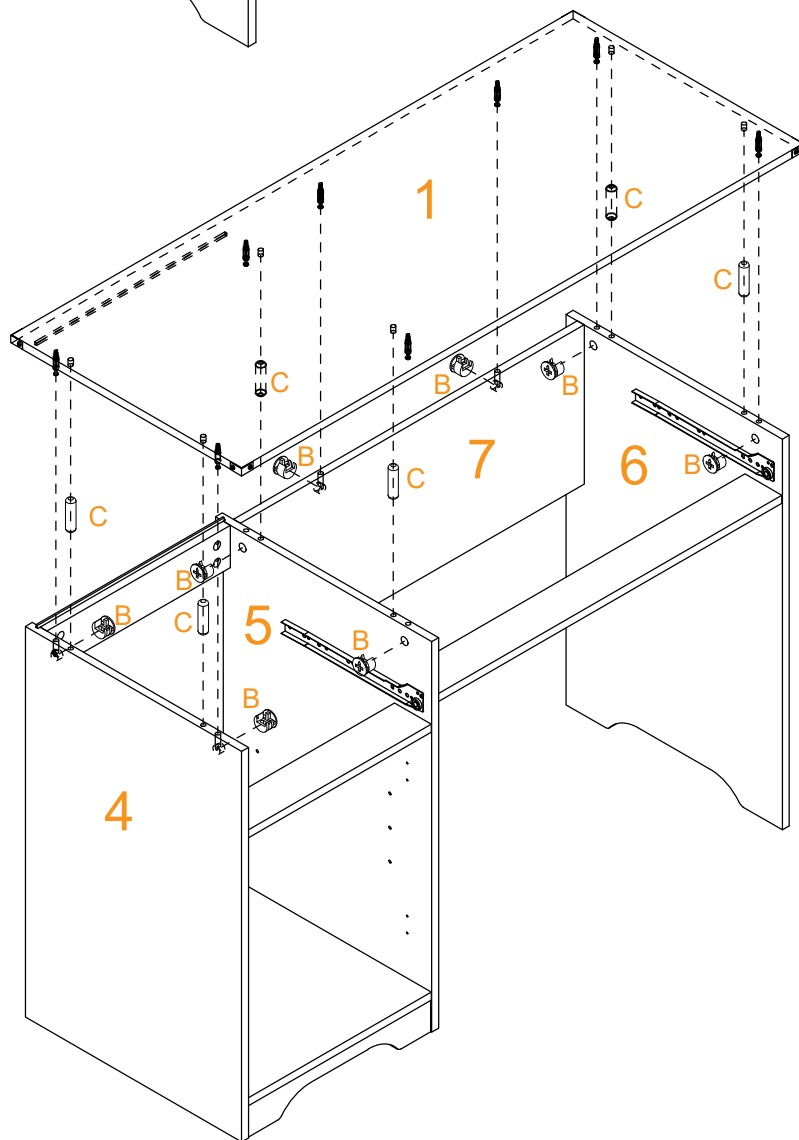
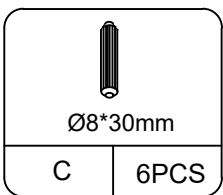
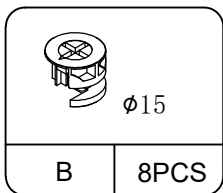
| | | | |
|--|-----------|--|--------------------------------|
|  | $\phi 15$ |  | $\text{Ø}8 \times 30\text{mm}$ |
| B | 2PCS | C | 1PCS |



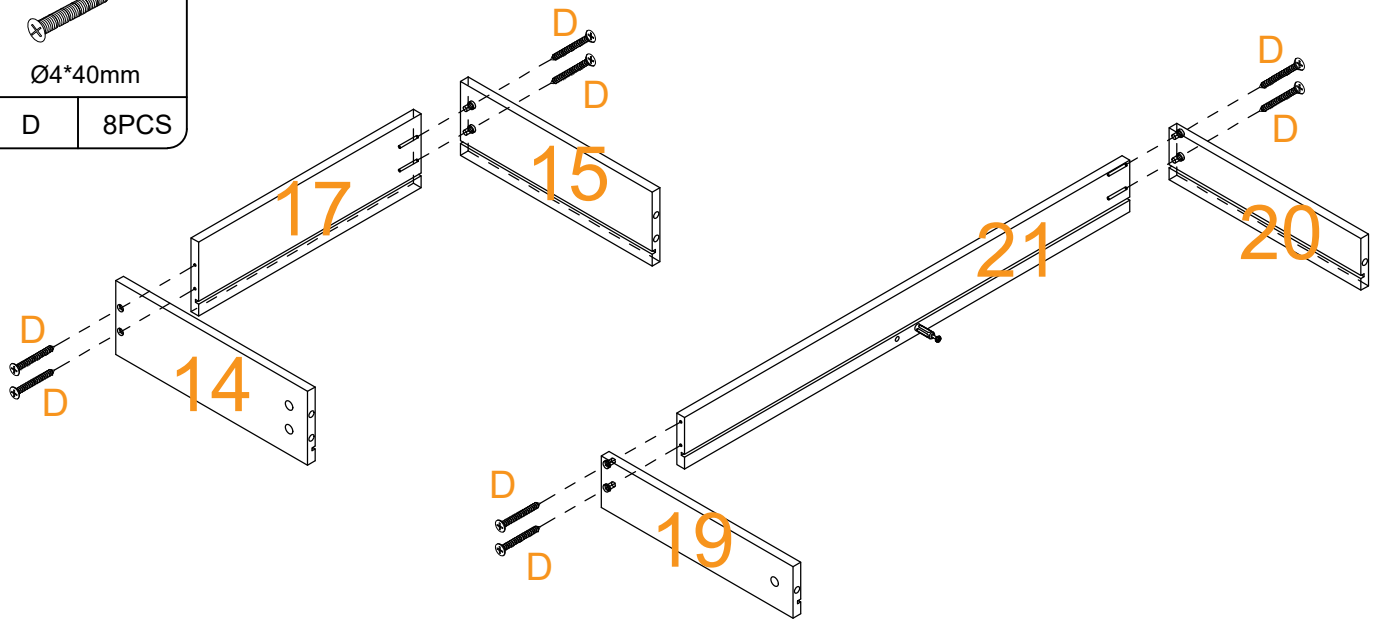
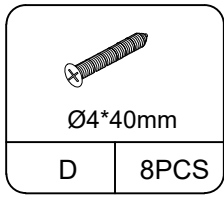
STEP 6



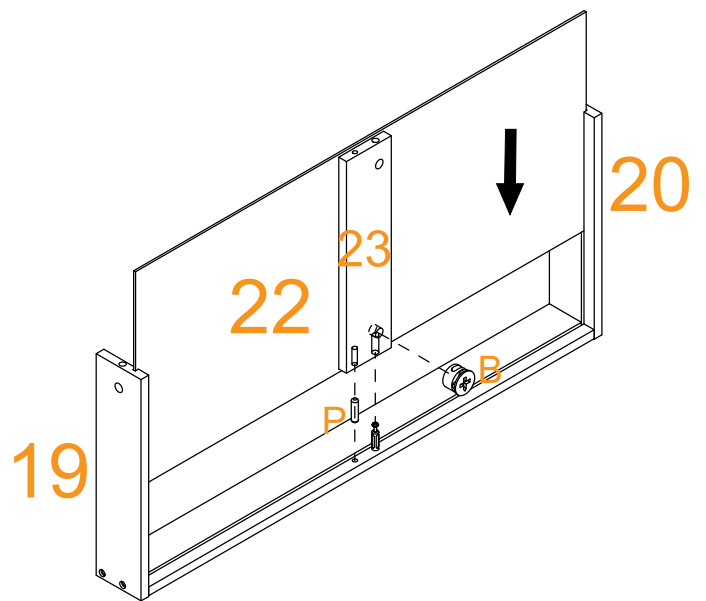
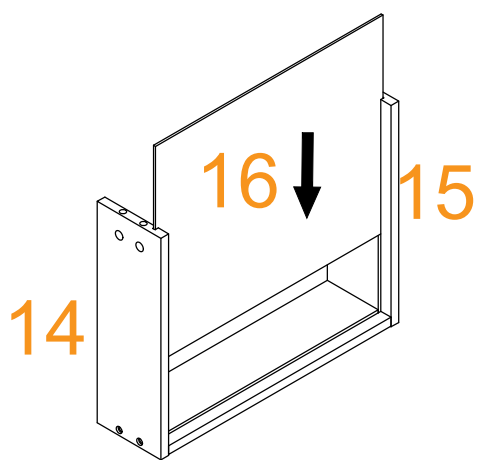
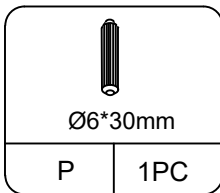
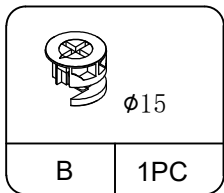
STEP 7



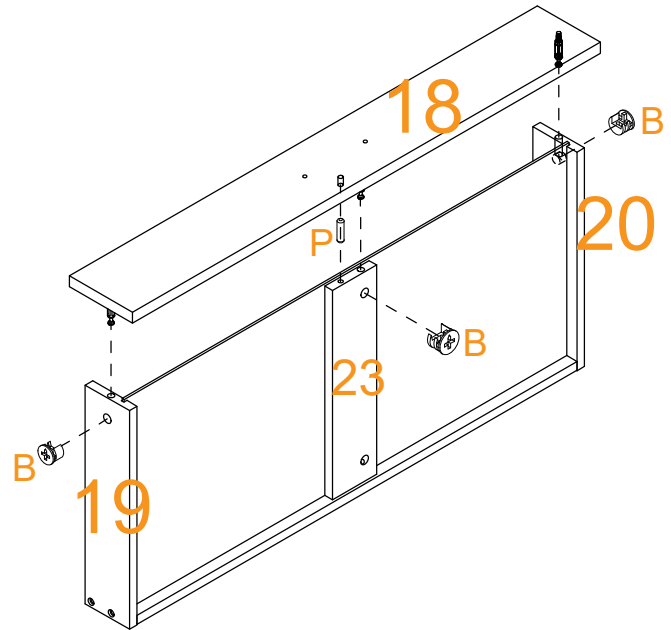
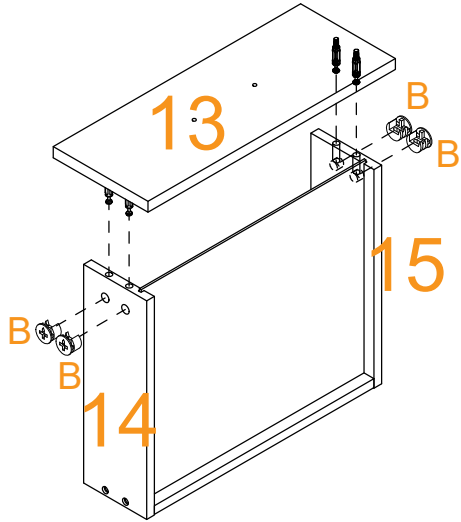
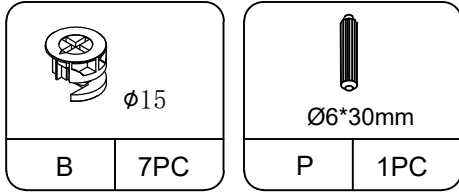
STEP 8



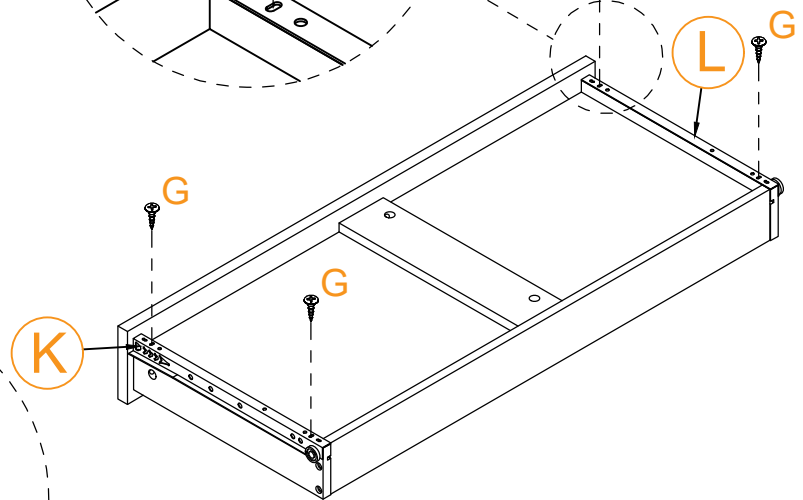
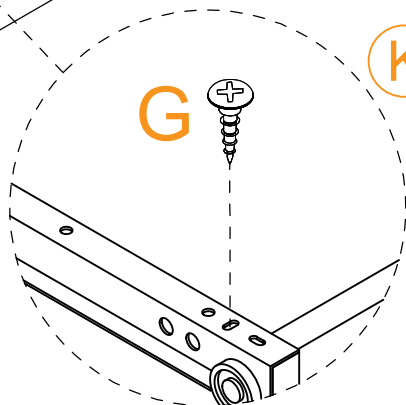
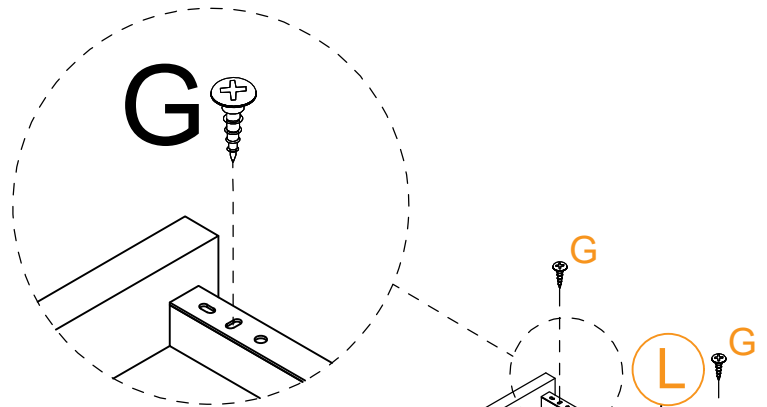
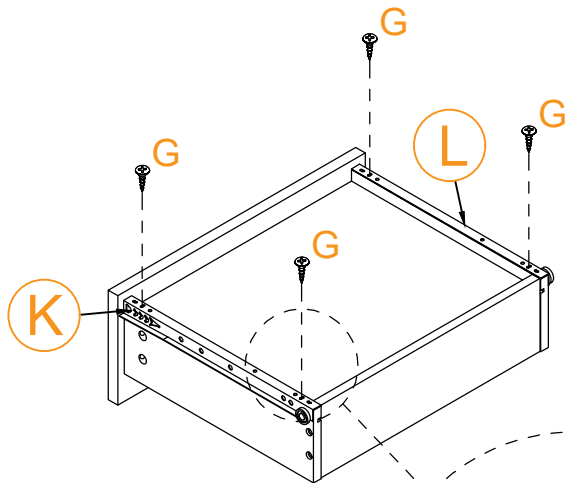
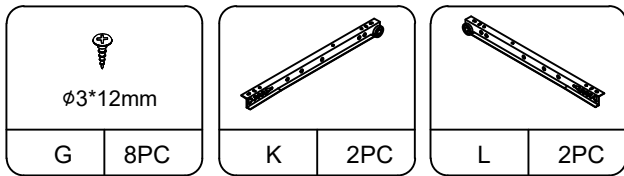
STEP 9



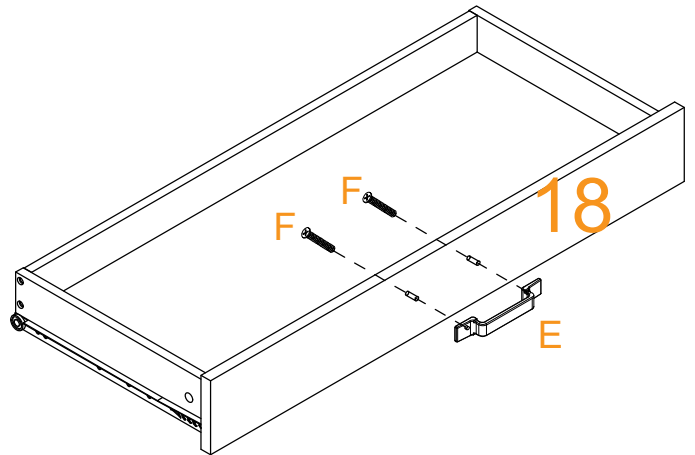
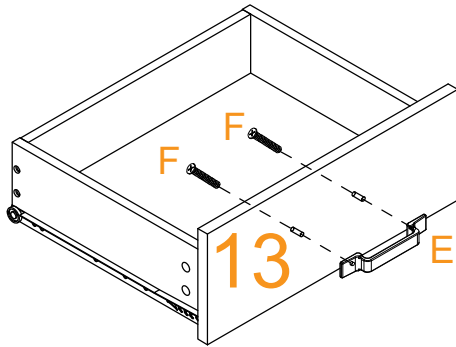
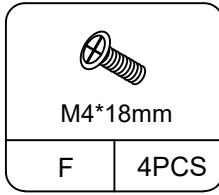
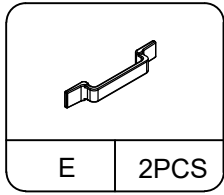
STEP 10



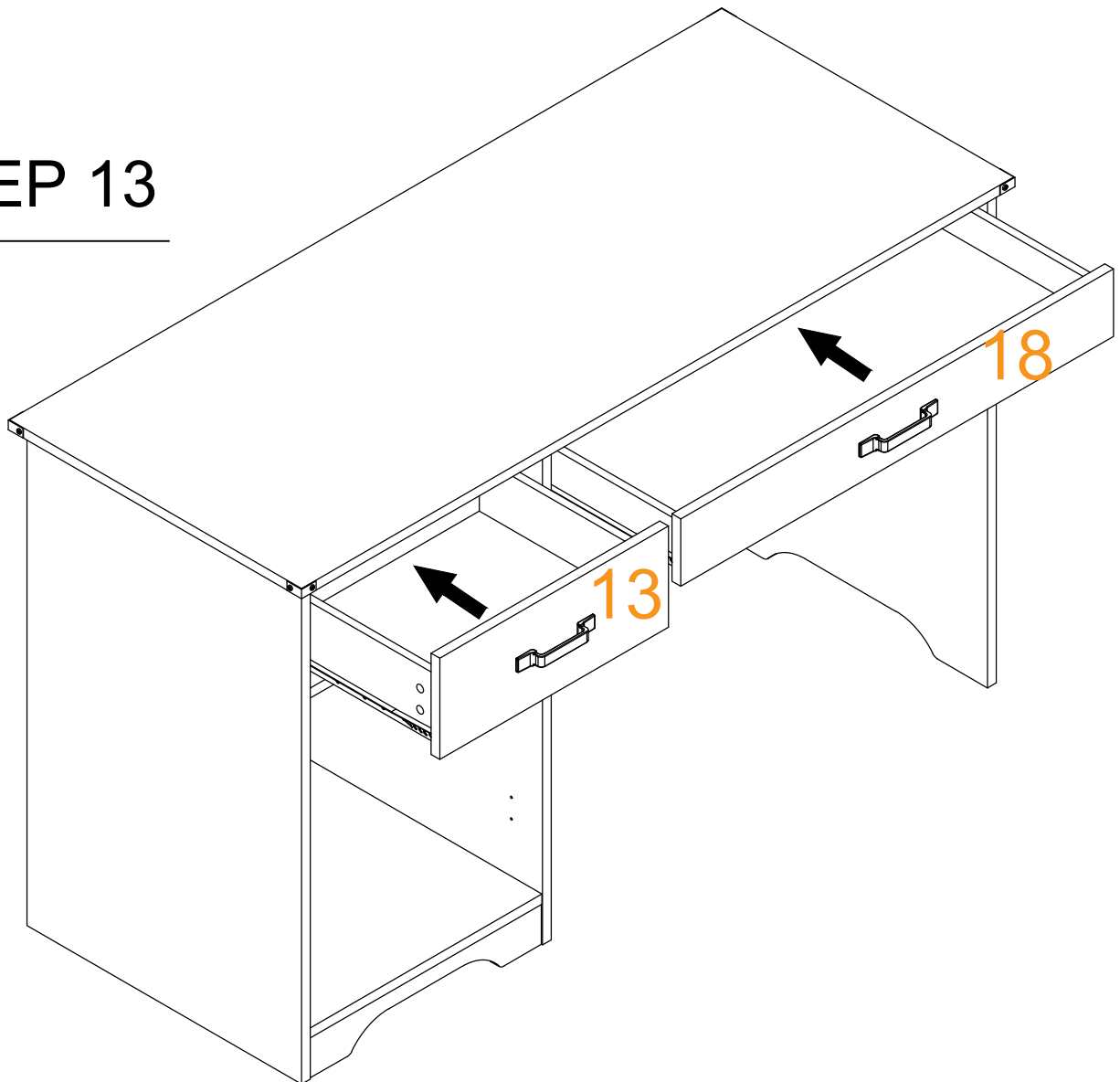
STEP 11



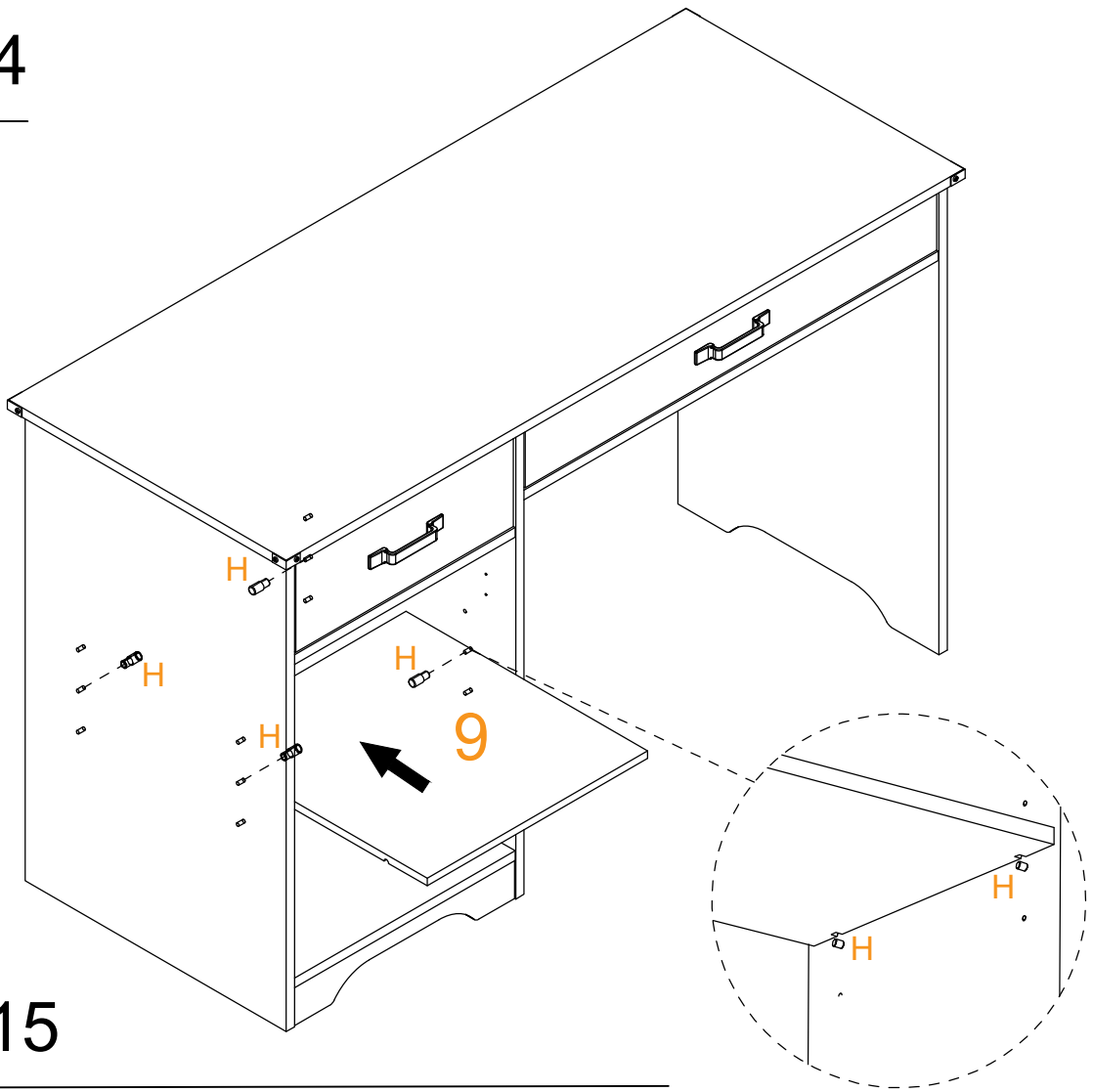
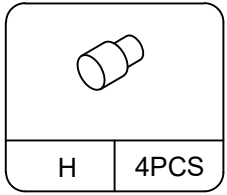
STEP 12



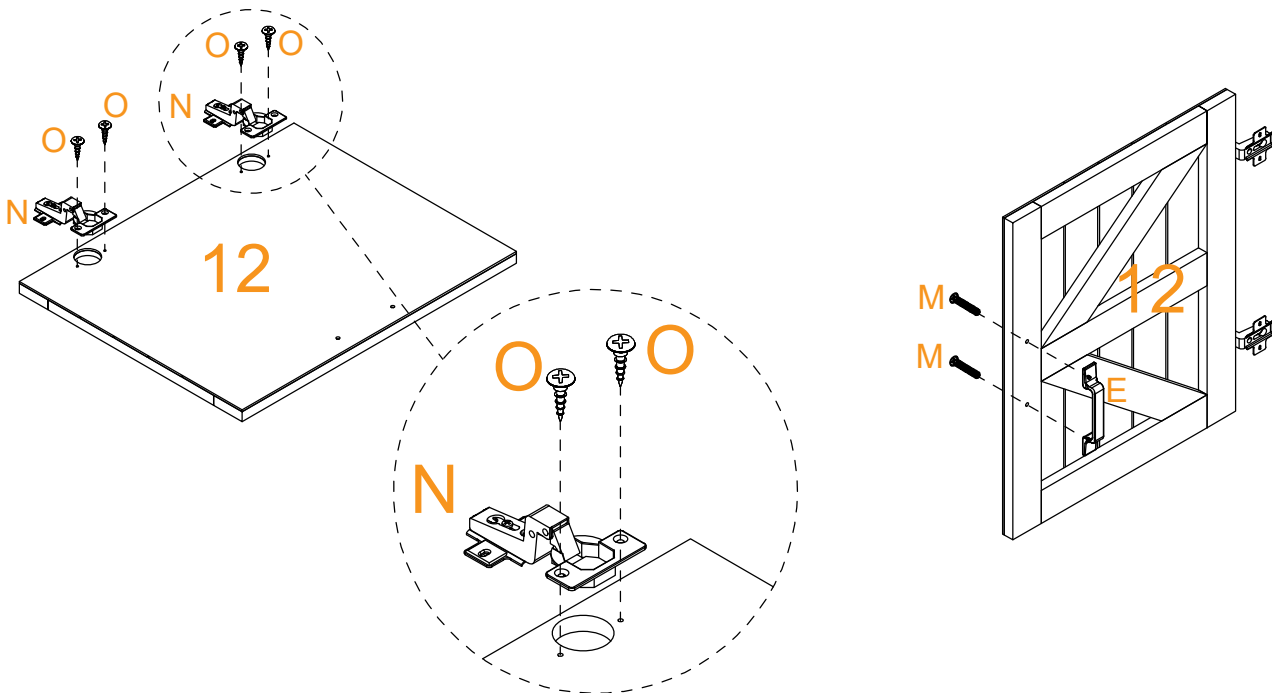
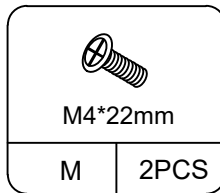
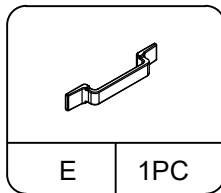
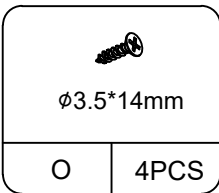
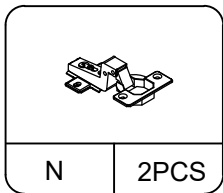
STEP 13



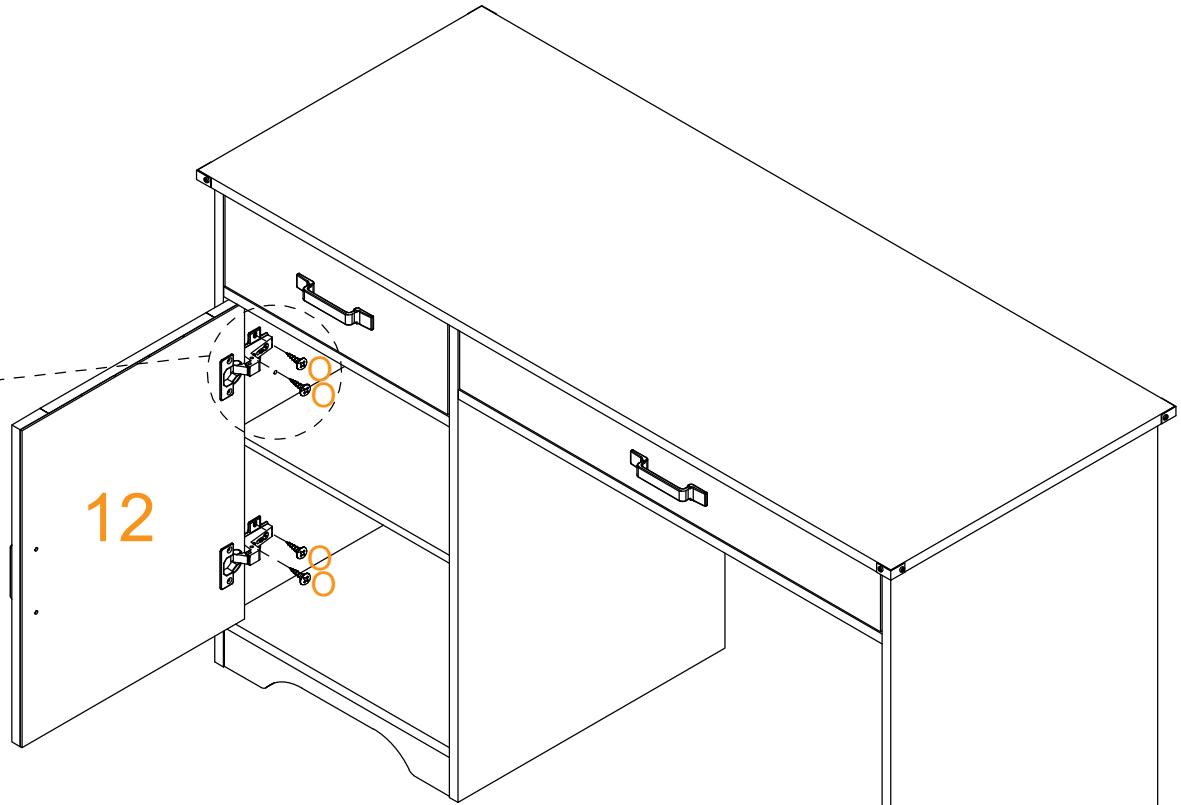
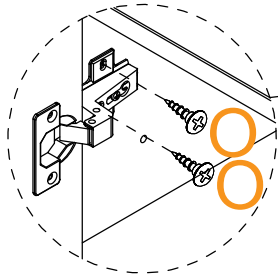
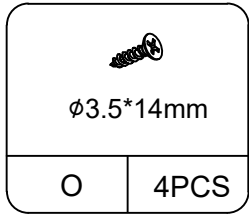
STEP 14



STEP 15



STEP 16



STEP 17

