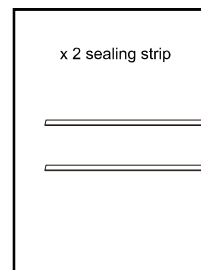
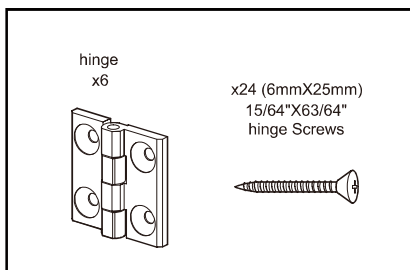
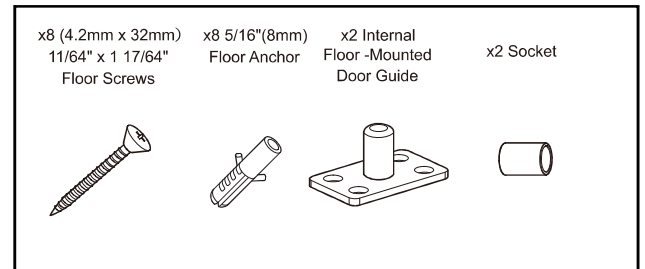
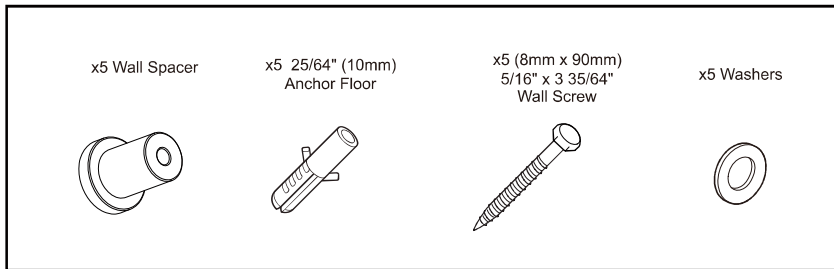
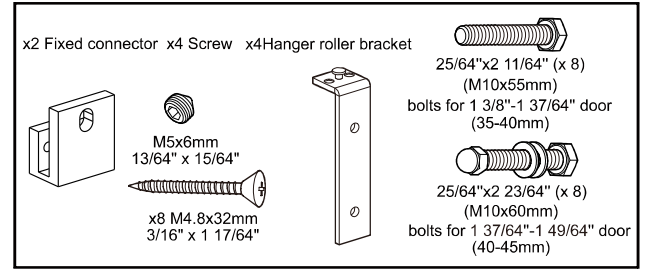
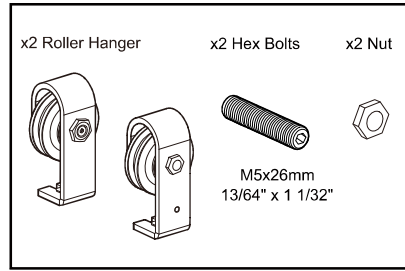
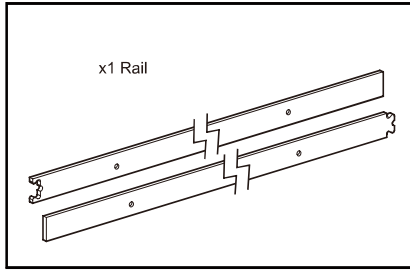


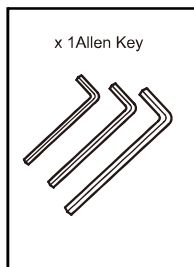
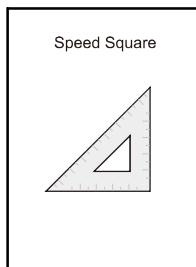
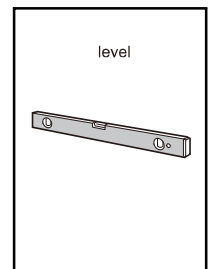
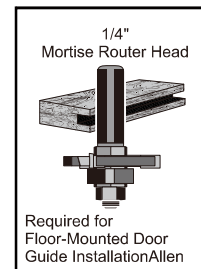
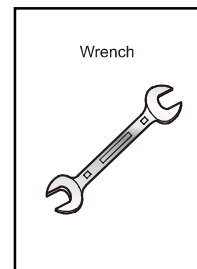
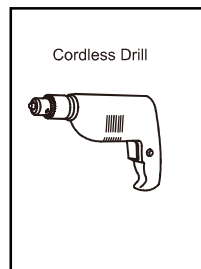
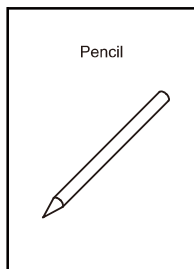
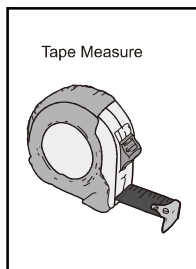
BARNDOORHARDWAREKIT MF16SN-5FT2 INSTALLATION GUIDE

Main Components



To provide feedback on a particular part, please mark it by circling in the instruction manual and kindly send us a photo.

Tools Required

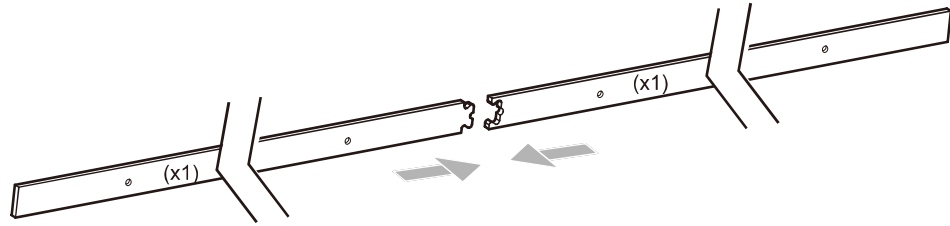


IMPORTANT: BEFORE YOU BEGIN

IF INSTALLING DIRECTLY INTO A NON-CONCRETE WALL, DO NOT ATTEMPT TO INSTALL THE RAIL SOLELY TO THE DRYWALL OR ANY WALL SURFACE AS THIS MAY NOT SUPPORT THE WEIGHT OF THE RAIL AND MOUNTED DOOR. THE RAIL MUST BE INSTALLED ONTO A PIECE OF SOLID WOOD BLOCKING (PACKAGE NOT INCLUDED) USING MOUNTING SCREWS (PACKAGE NOT INCLUDED). ENSURE THE SOLID WOOD BLOCKING IS SECURED INTO THE STRUCTURAL SURFACE. USE A STUD FINDER WHERE NECESSARY TO LOCATE STUDS AND SECURE SAFELY. TYPICAL SOLID WOOD BLOCKING SHOULD BE 81 3/4" x 5 1/2" x 7/8".

NOTE, SEPARATE BOLTS ARE PROVIDED FOR 13/8" DOORS AND LONGER BOLTS PROVIDED FOR 13/4" DOORS. IF INSTALLING WITH THE INTERNAL FLOOR-MOUNTED DOOR GUIDE, THE DOOR MUST BE MORTISED 1/4" WIDE X 3/4" DEEP CENTRALLY.

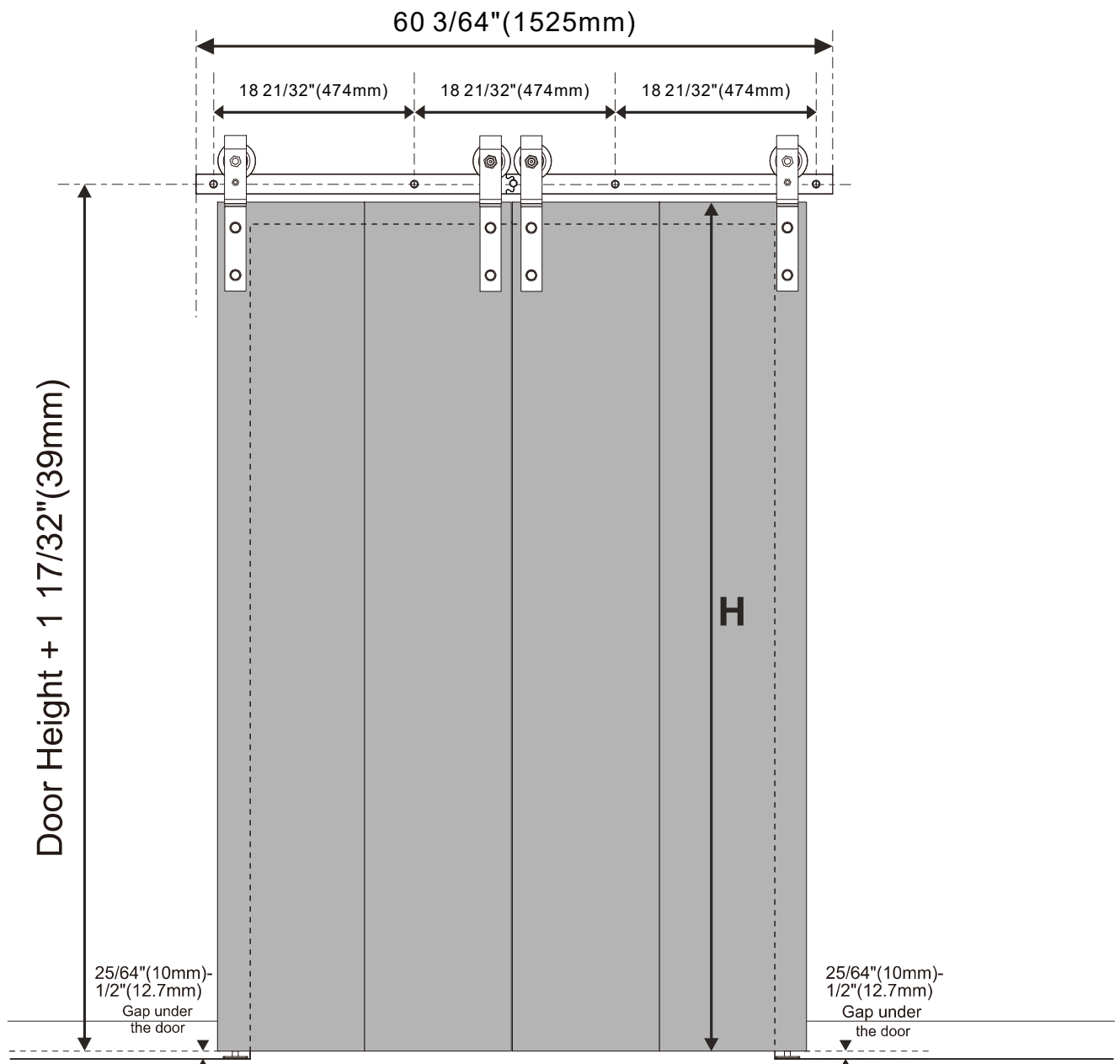
Kindly reminder: Connect the two pieces of the rail before installing



Fit door panel width: 9 27/32" ~ 11 13/16"

Step 1. CONCRETE Wall Preparation1

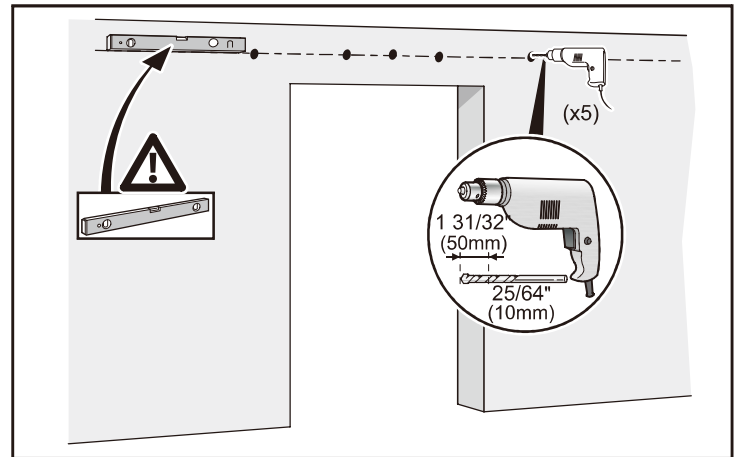
Position the rail by measuring up from the door height (H) + 1 17/32" to the centre of the track. Also ensure a gap of 25/64" - 1/2" at the bottom. Ensure the rail is level and leave a minimum of 2" from the end of the rail to the side of the opening.



BARNDOORHARDWAREKIT
MF16SN-5FT2
INSTALLATION GUIDE

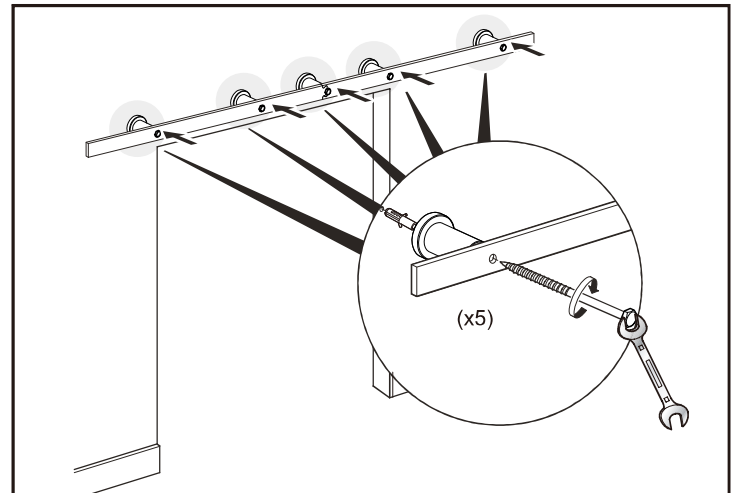
Step 2. CONCRETE Wall Preparation

Position the rail in place ensuring that it is level, mark the holes on the rail using a pencil and pre-drill $3/8"$ holes into the concrete.



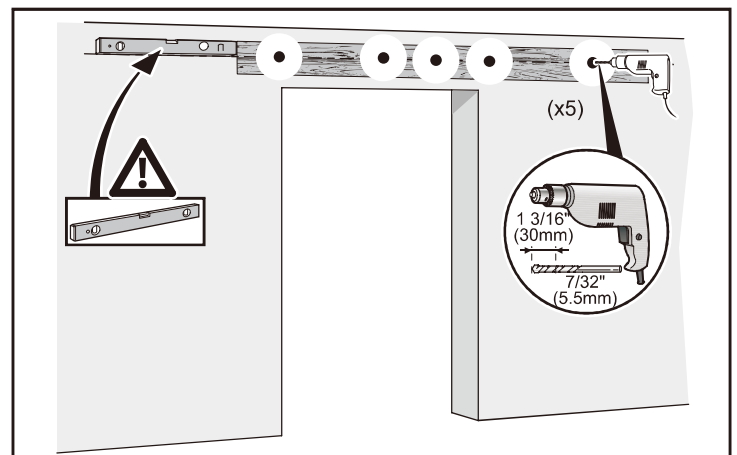
Step 3. CONCRETE Rail Installation

When installing directly into concrete, align the spacers to holes, insert using the provided anchors and hex bolts (with washers). Ensure the nut-screw to separate the hex bolt and anchor to install correctly, securing with a wrench.



Step 4. DRYWALL Wall Preparation

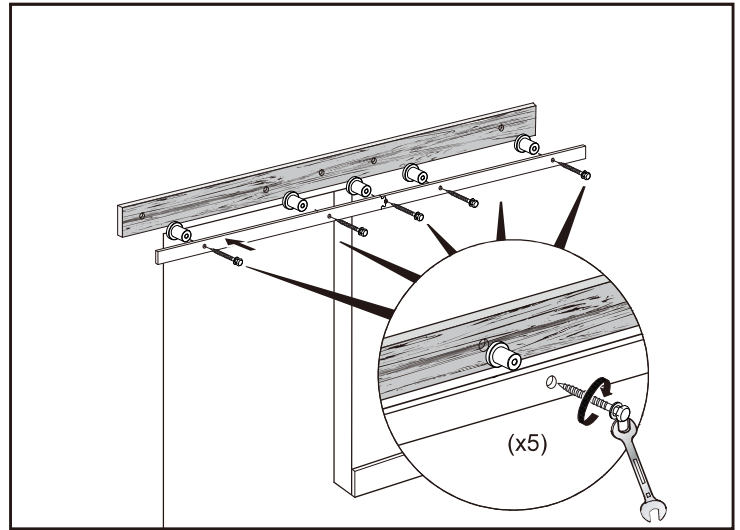
Position the rail on top of the wood blocking ensuring levelness, mark the holes using a pencil and pre-drill $3/16"$ holes into the wood blocking.



BARNDOORHARDWAREKIT
MF16SN-5FT2
INSTALLATION GUIDE

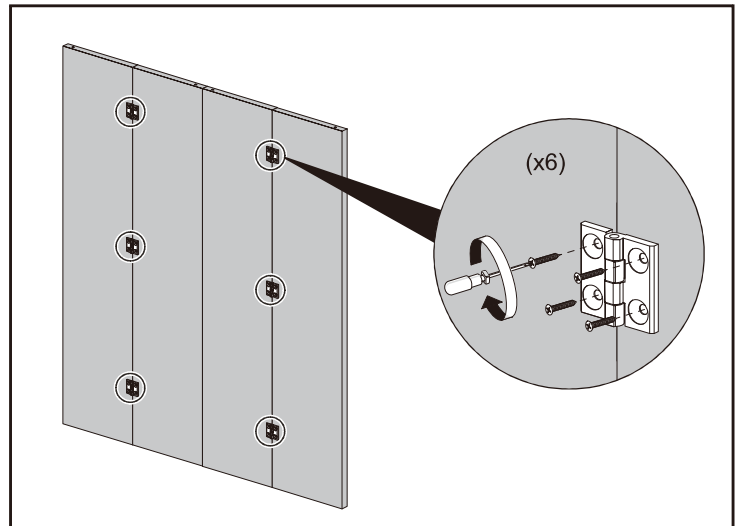
Step 5. DRYWALL Rail Installation

When installing into the solid wood block and wall, insert using the provided wall screws. Align each spacer to the rail holes, inserting screws (with washers), securing with a wrench.



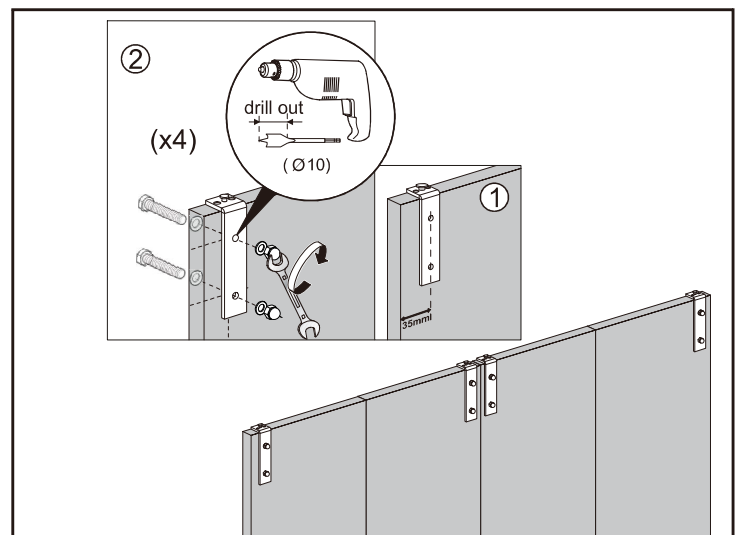
Step 6. Fit the hinge

Fit the hinge to the door in the proper position



Step 7. Install Side Bracket

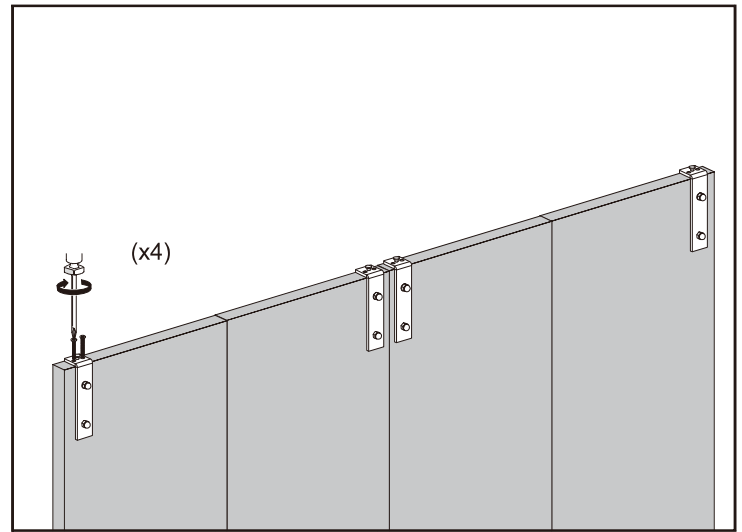
First, drill 10MM holes in the door and then fix the bracket to the door with screws



BARNDOORHARDWAREKIT
MF16SN-5FT2
INSTALLATION GUIDE

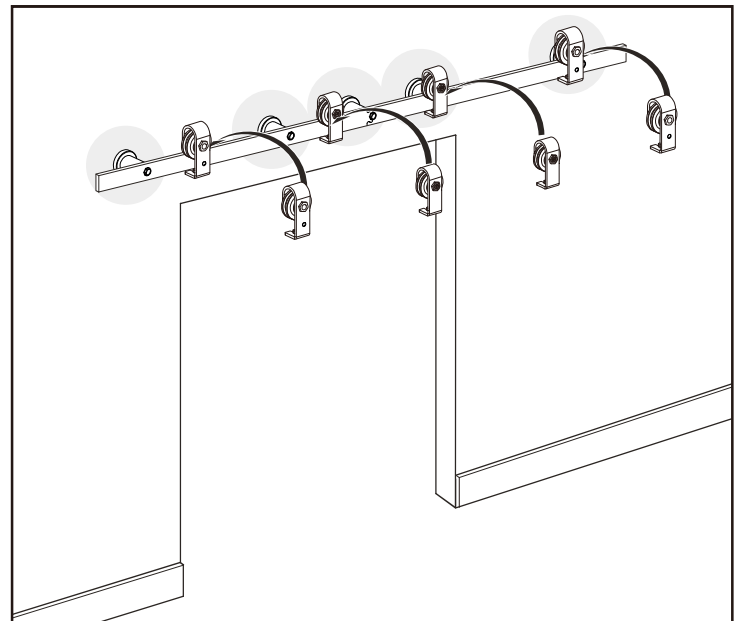
Step 8. Fixing Bracket Top Screw

Install the hanger roller bracket on the reserved hole of the top of door by $3/16"$ x $1\ 17/64$ screw.



Step 9. Hanging the rollers

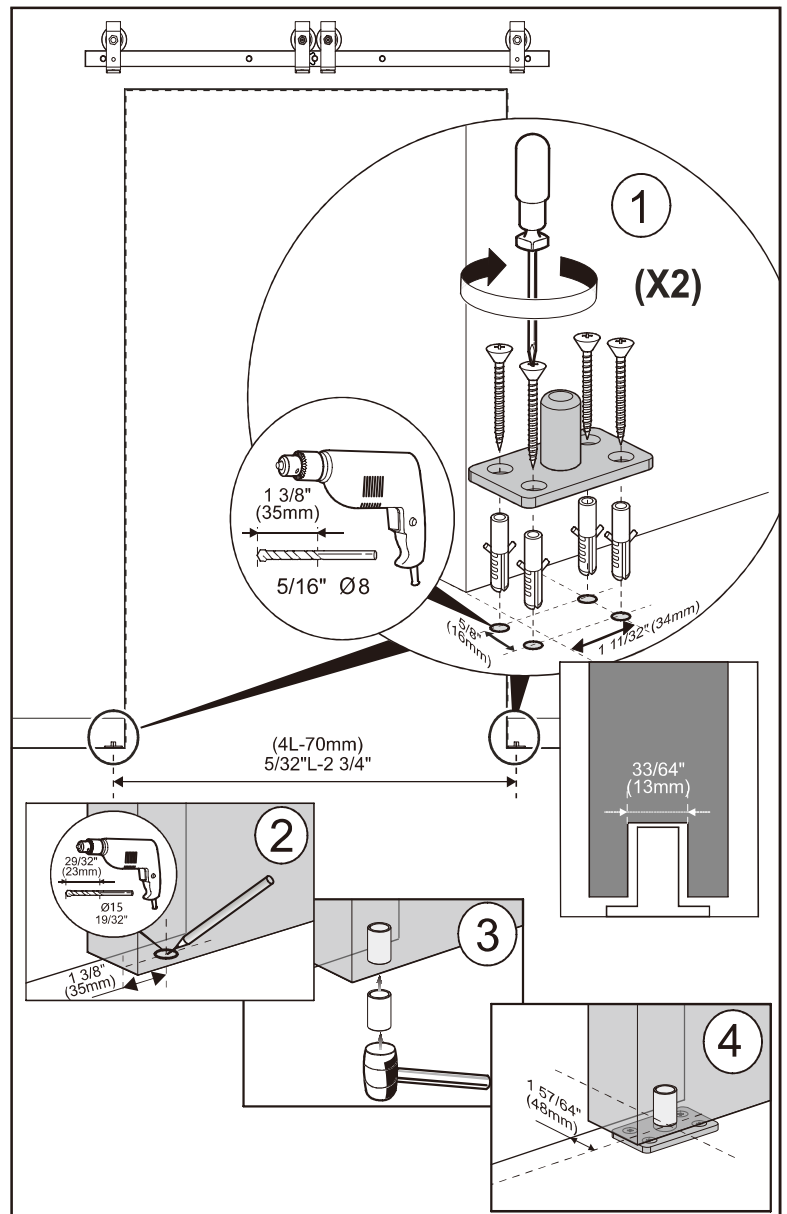
Put the 4 rollers on the rail



BARNDOORHARDWAREKIT
MF16SN-5FT2
INSTALLATION GUIDE

Step 10. Floor-Mounted Door Guide Installation

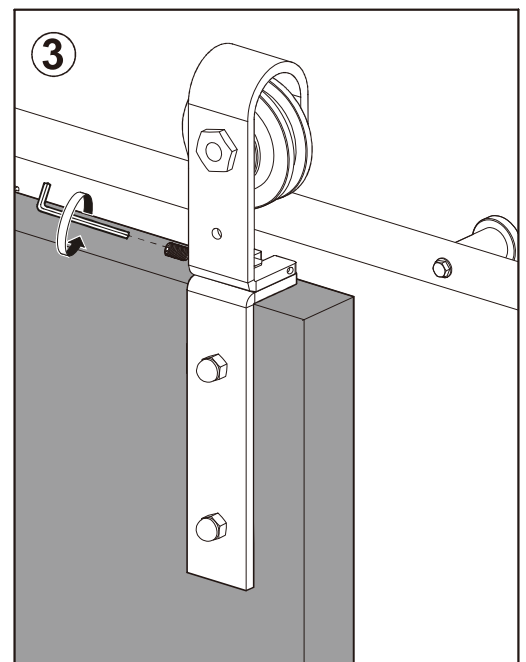
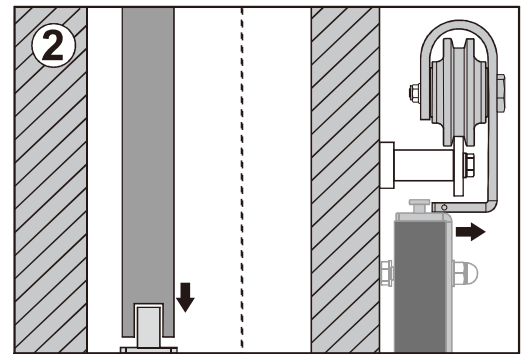
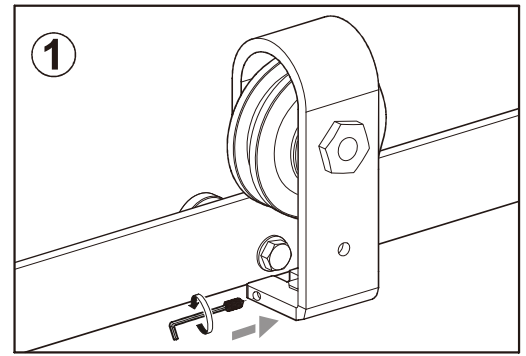
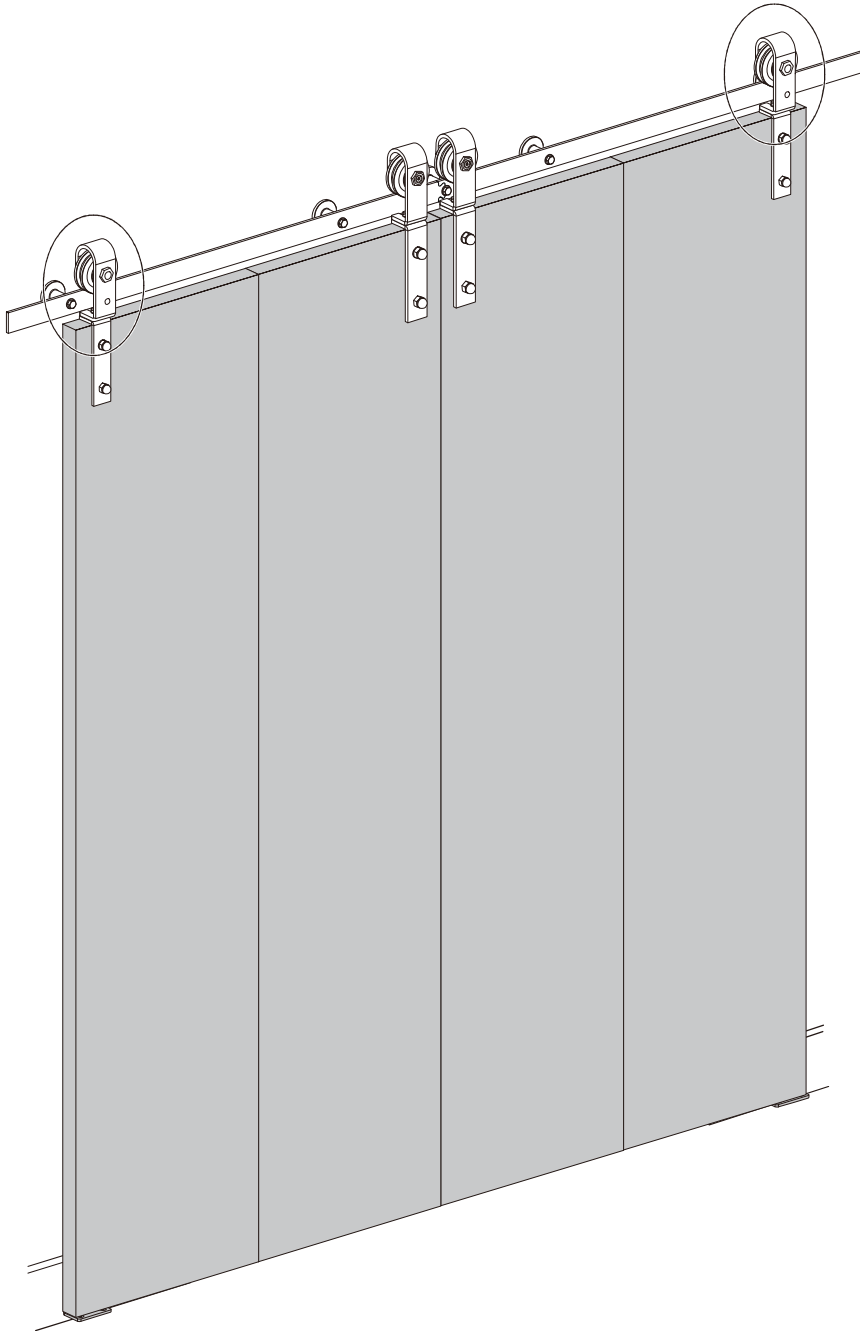
Mark the hole position on the bottom of the door with a pen, punch a hole with diameter $5/16"$ depth $29/32"$. Then put the socket on the hole, and knock it in with a wooden hammer. Finally, put the floor guide into the socket.



BARNDOORHARDWAREKIT
MF16SN-5FT2
INSTALLATION GUIDE

Step 11. Install hanger roller 1

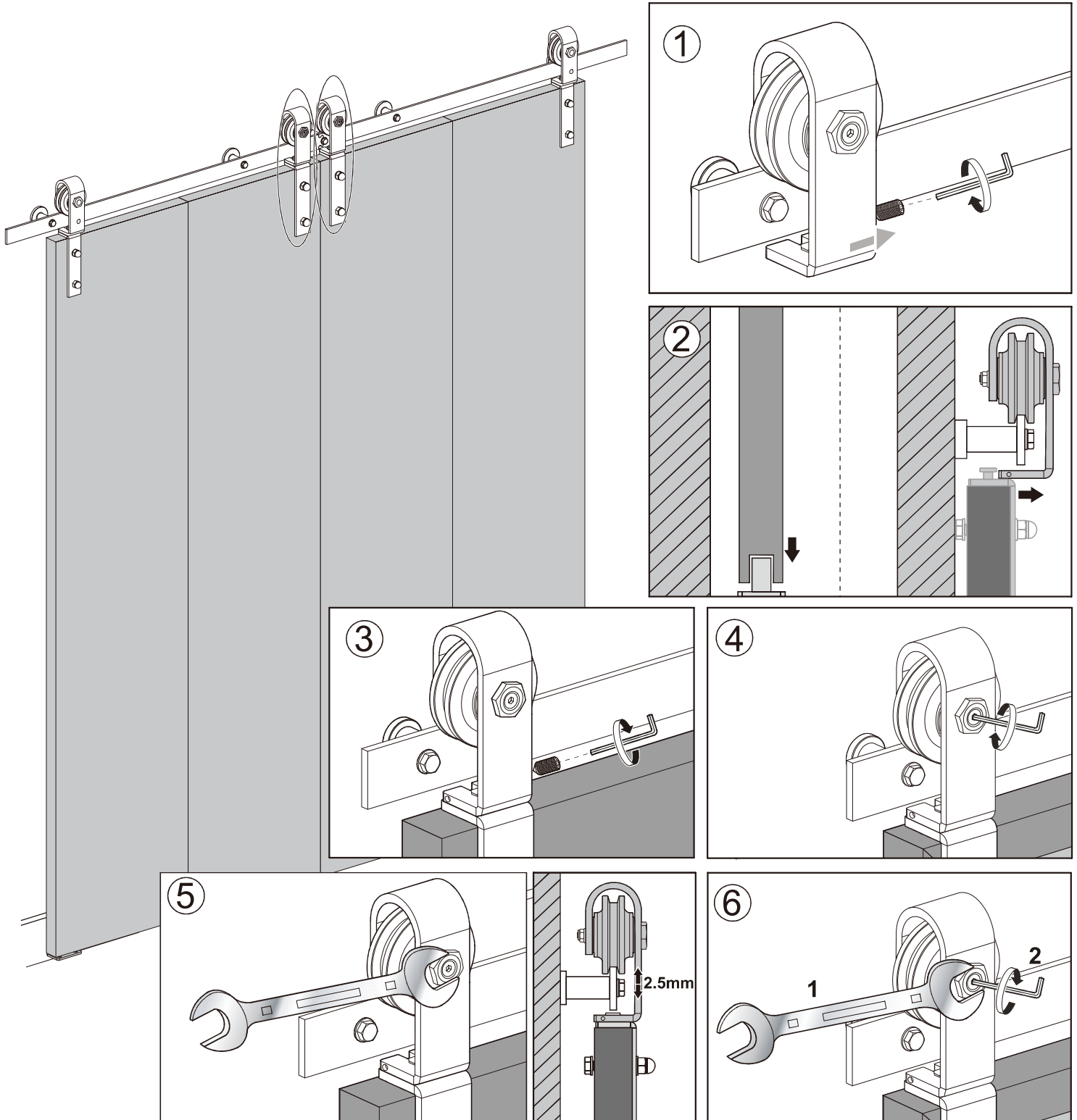
Unscrew the screw, adjust the position of the door and the floor guide, then push in the hanger roller slot, and fix it with screw.



Step 12. Install hanger roller 2

Unscrew the screw, adjust the position of the door and the floor guide then push in the hanger roller card slot, fix it with screws.

Using a wrench to adjust the height of the hanger roller to a suitable position, and tighten it.

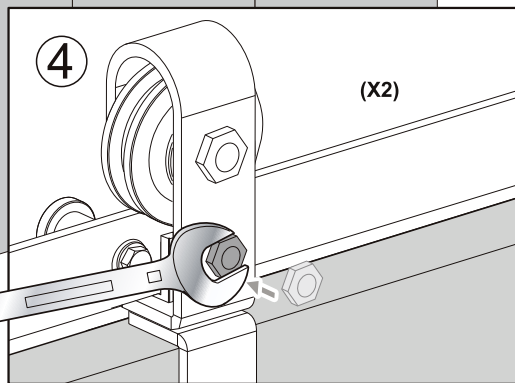
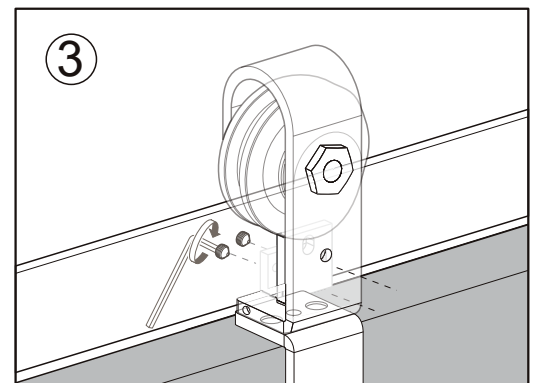
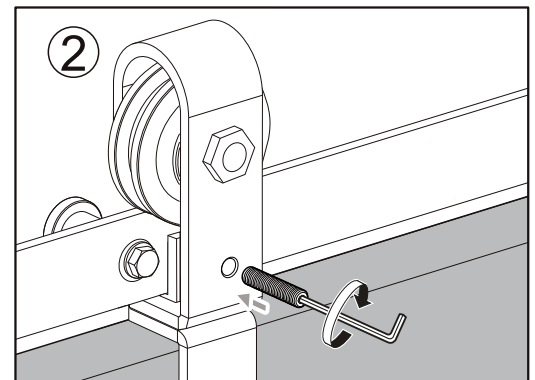
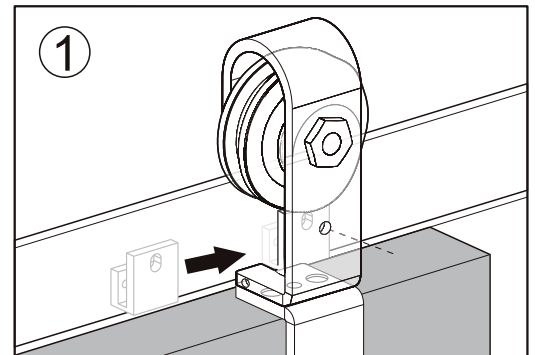
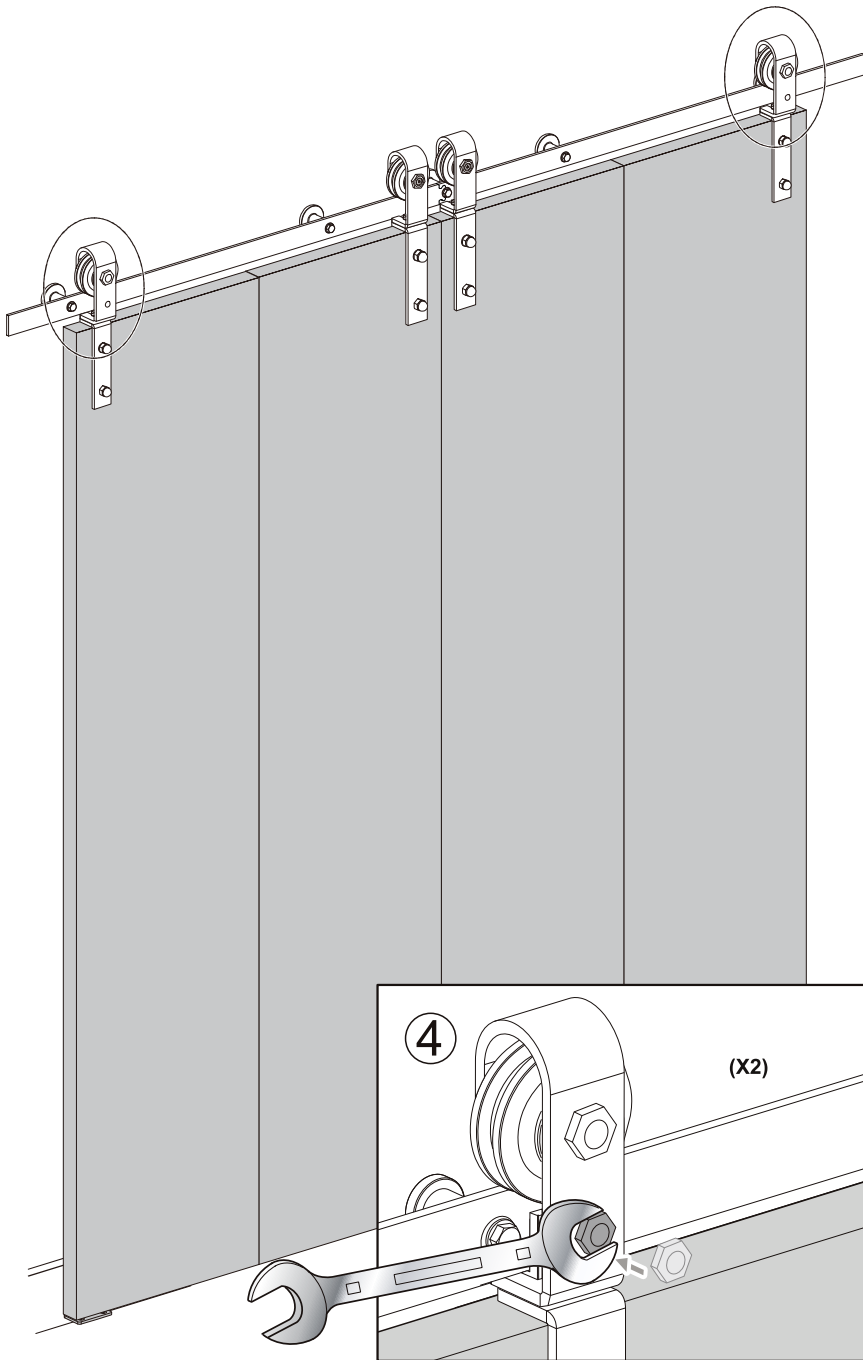


Step 13. Install the fixed connector

Align the hole of the connecting piece with the lower hole of the hanger roller plate.

Using a wrench to pass through the hanger roller plate and the connecting piece.

Tighten the other two holes of the connector with a screw. Then install the nut with the wrench.



Step 14. Install the sealing strip

Tear off the sealing strip and stick it to the side of the door

