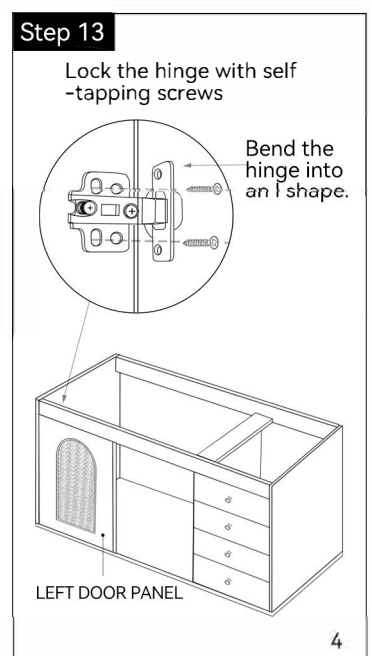
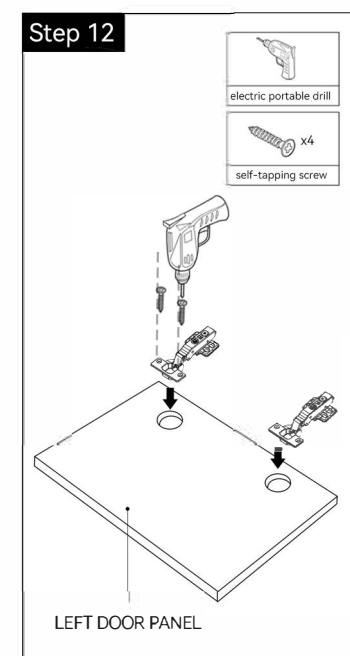
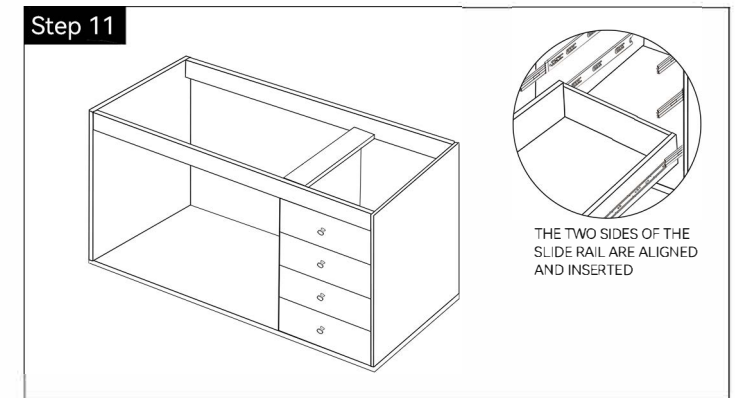
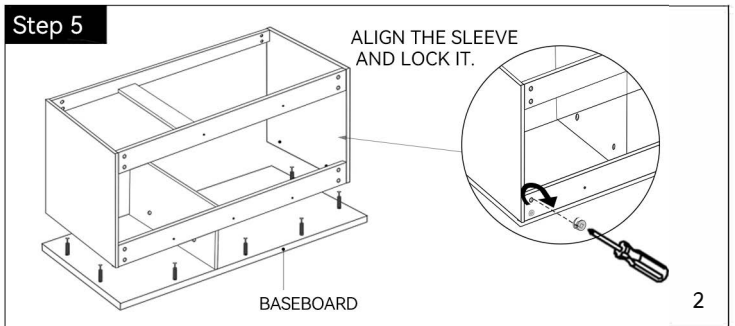
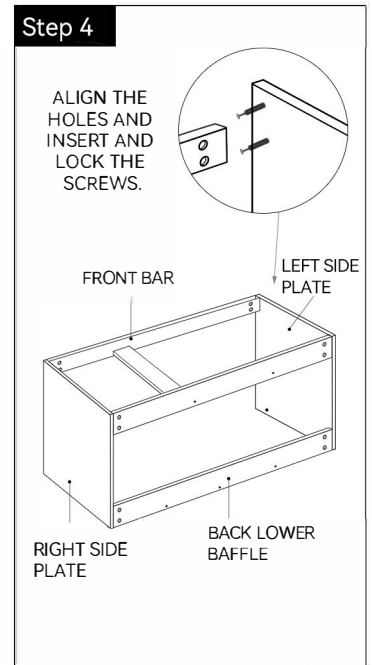
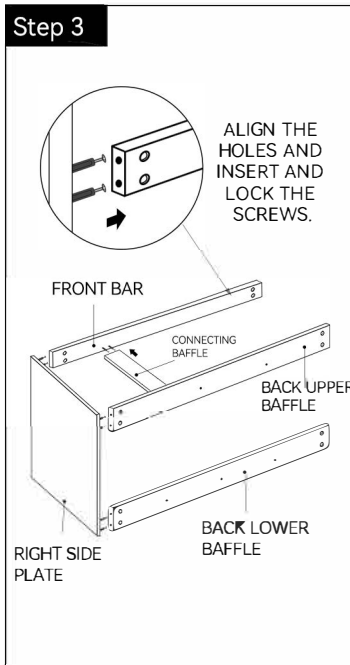
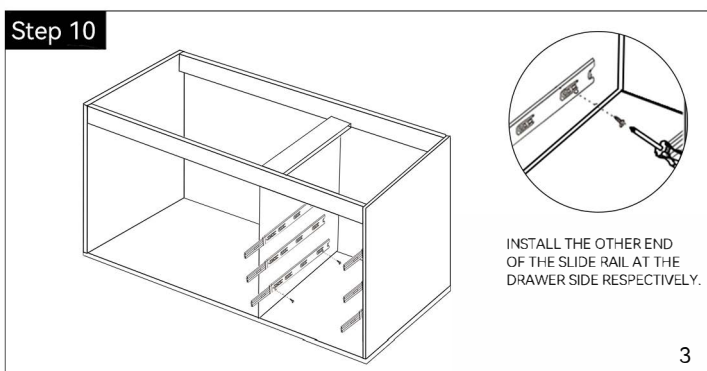
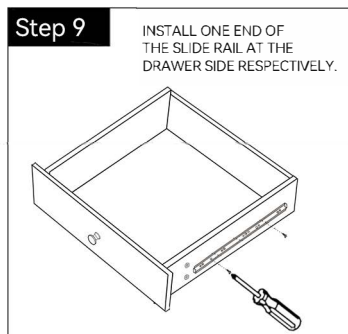
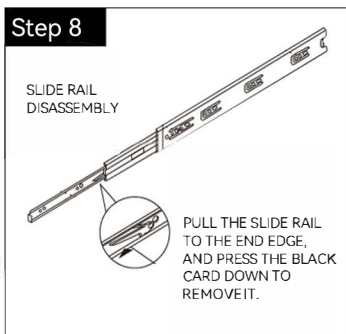
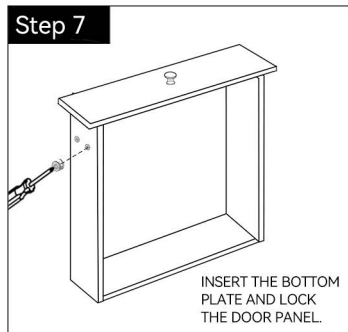
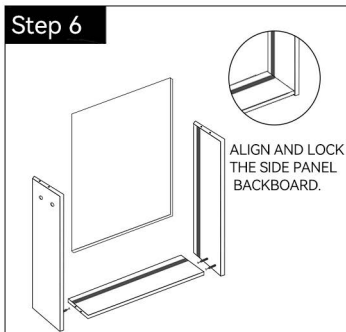
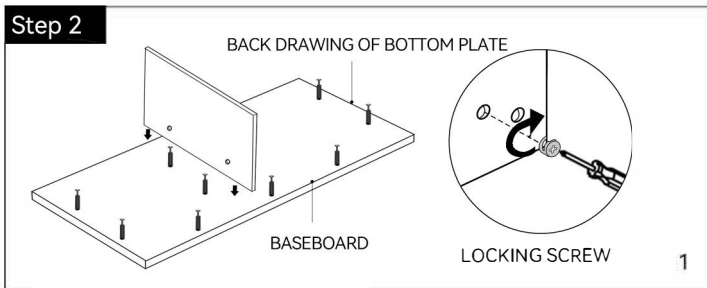
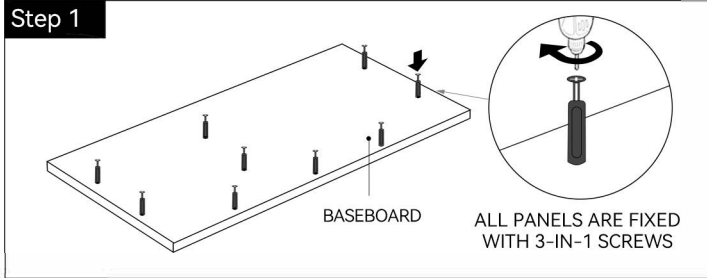
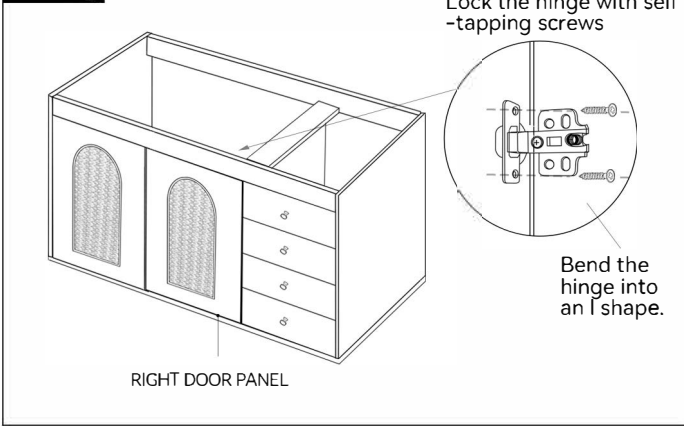
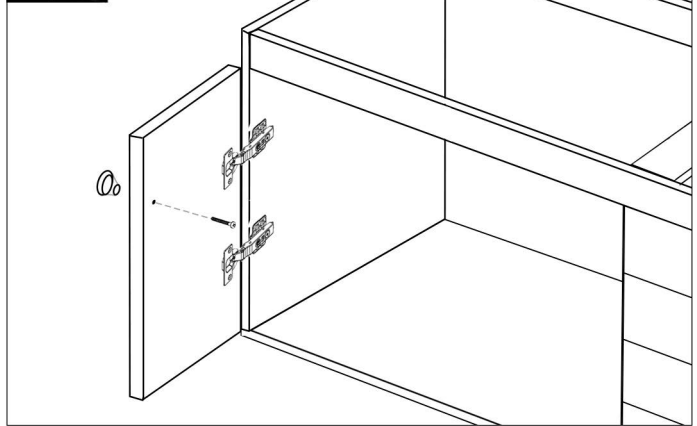
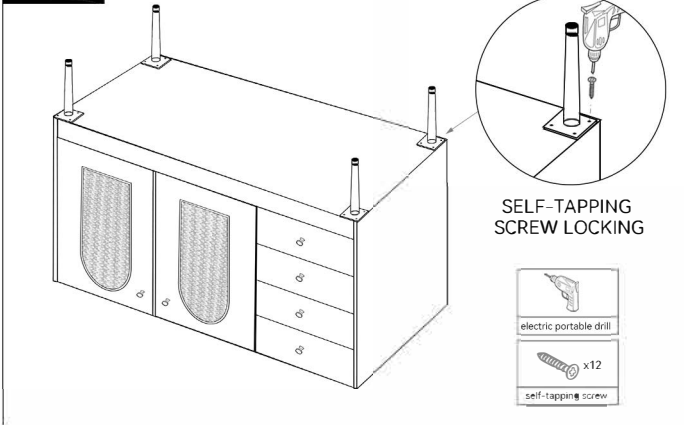
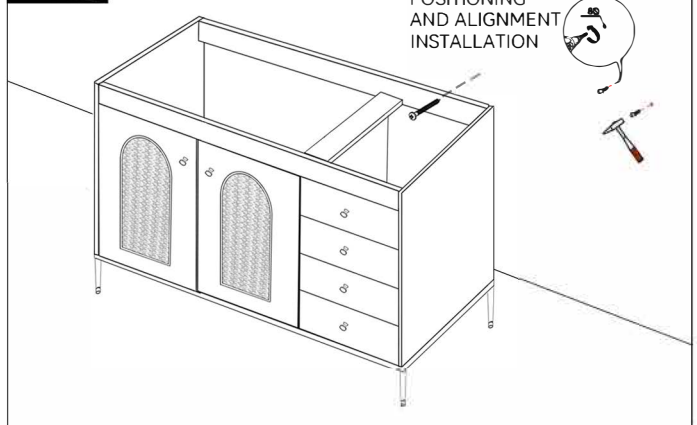
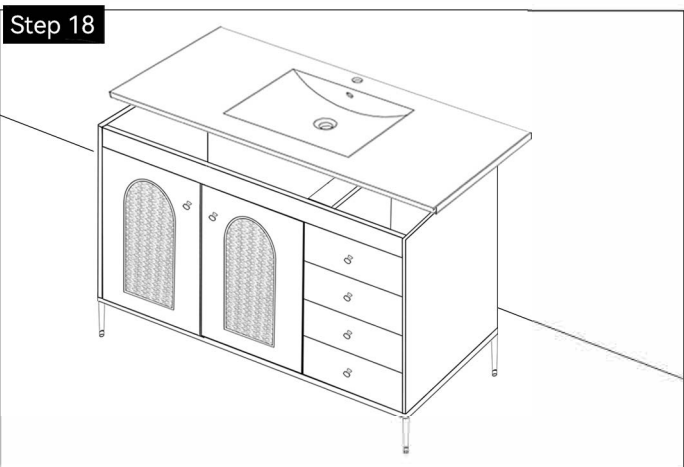
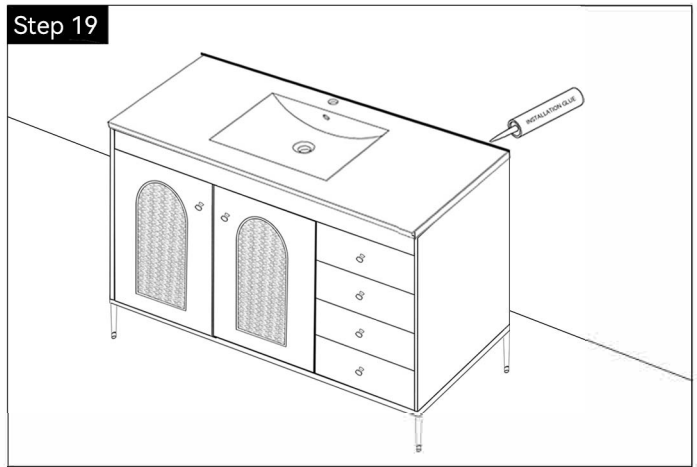


INSTALLATION INSTRUCTIONS

Parts list		tool	
NO.	Description	QTY	
01	self-tapping screw	8	
02	Expansion Bolts	2	
03	Screws for fix on the wall M5.5x60	2	
04	3 in 1 screw	60	
05	flat head screw	2	



Step 14**Step 15****Step 16****Step 17****Step 18****Step 19****CARE CLEANING AND MAINTENANCE**

1. Dust regularly with a soft, dry cloth.
2. Avoid the use of all chemicals household cleaners, abrasives, or cleaners that contain lemon, vinegar, or other acids that may damage the finish.
3. Excessive exposure to sunlight and extreme changes in temperature and moisture can damage wood furniture.
4. The sink top is resilient, but care needs to be taken to preserve its appearance.
5. Do not place hot appliances, such as curling irons and hot hair dryers directly on the countertop. Wipe spills immediately.