



SKU: KHD-TV07-BLK Lot No.:JYX-NO.1
SKU: KHD-TV07-WHT Lot No.:JYX-NO.1

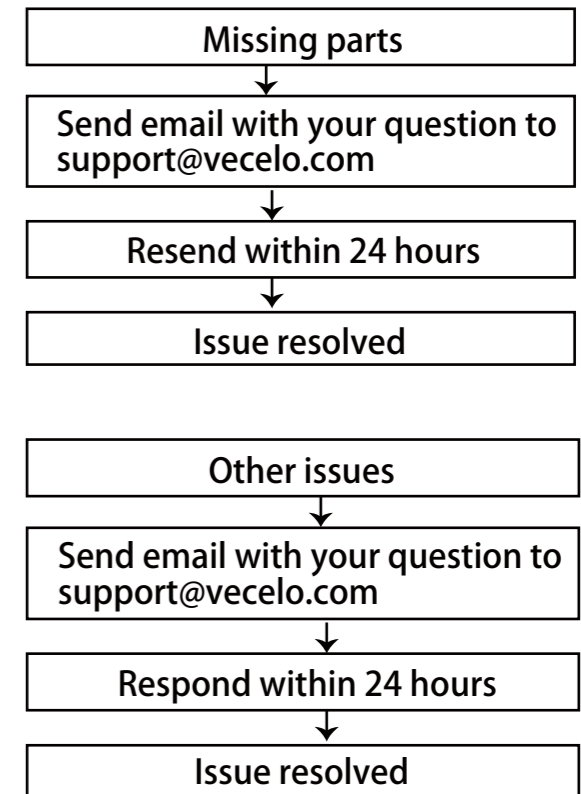
Tips!

Check all the components & screws before assembly. **Do not install in case part is missing, contact us to get** Send email with your question to support@vecelo.com. We will resend within 24 hours.

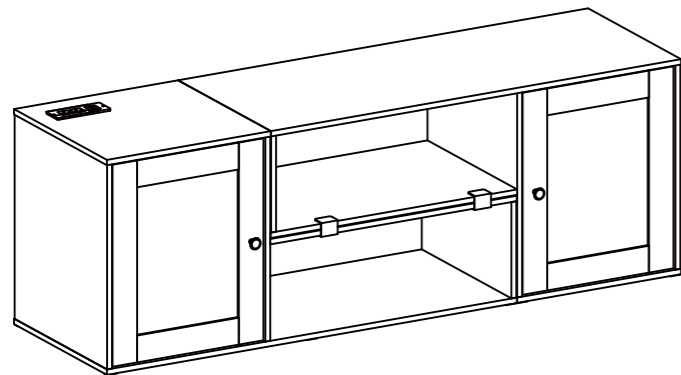
Return Policy

We believe you will absolutely love your new item. But if for some reason you want to return, please contact us directly before you decide to return your product. Our customer service organization can answer most concerns and assist you with any questions you may have about your new item, please email us first at: support@vecelo.com. The item must be returned within 30 days of delivery for a full refund. The item must be returned in good condition, in original box, with all original proof of purchase, parts and accessories.

Trouble shooting:



We control manufacturing and distribution ourselves, ensure the quality



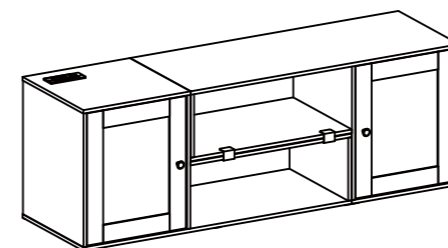
TV Stand

Dimension: 100*100*48cm

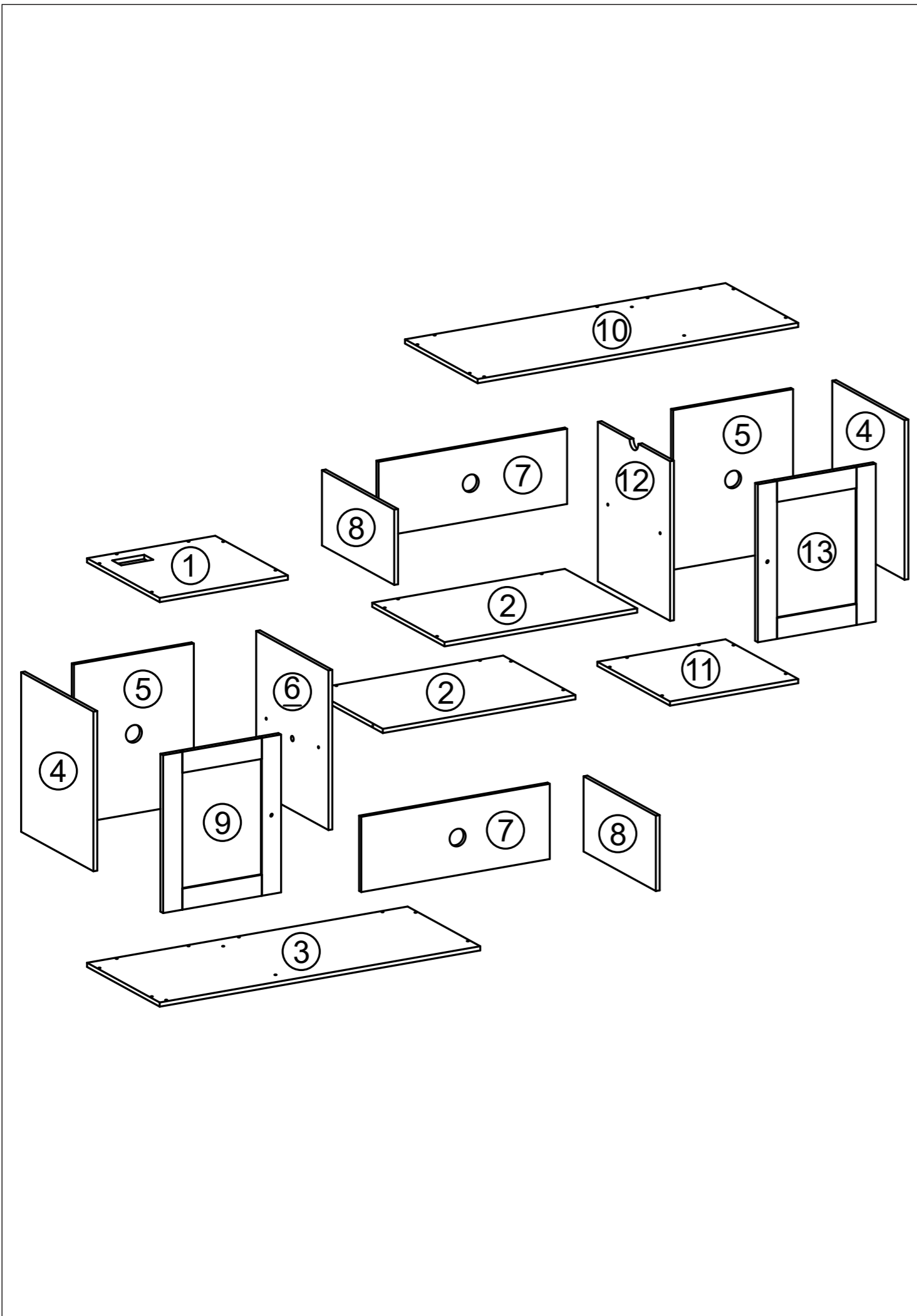
How to find us?

Email: support@vecelo.com

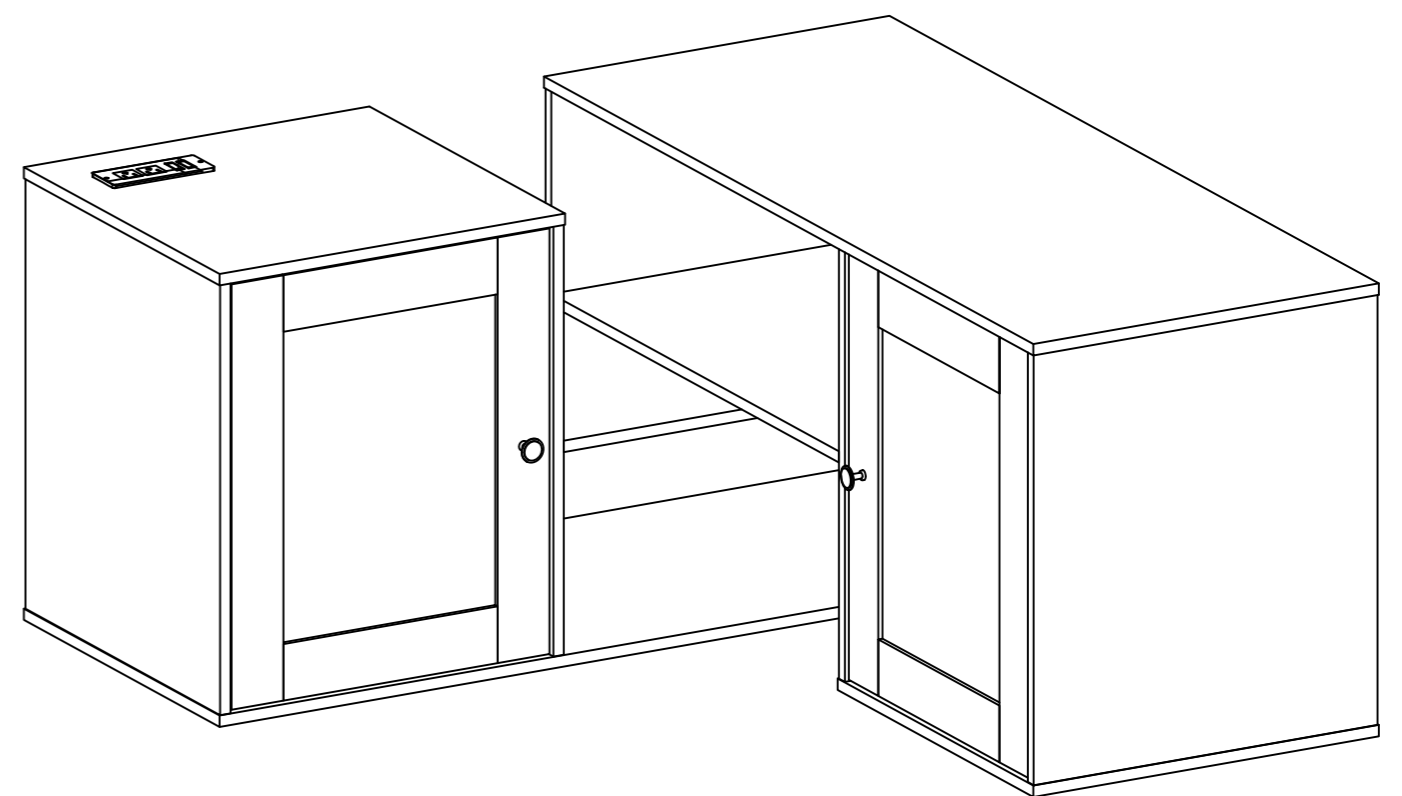
Website: www.vecelo.com



Item Description:	TV Stand
Dimension:	100*100*48cm
Model NO:	JYX-NO.1

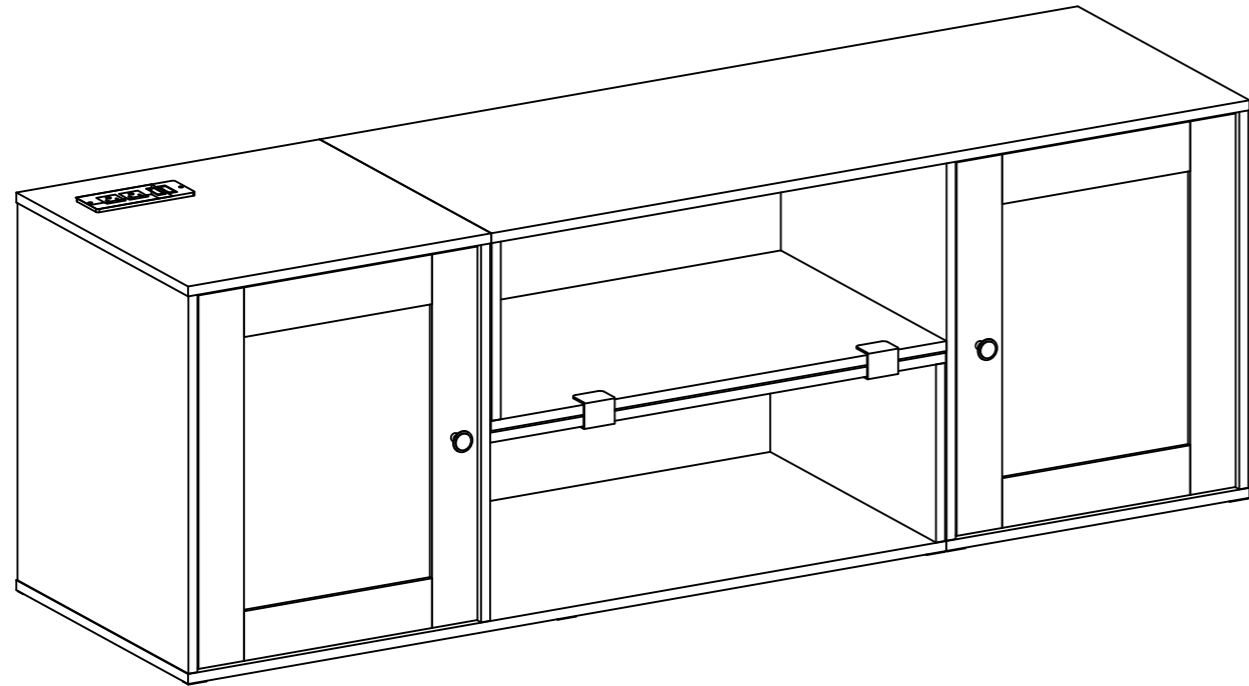


Deform Shape 3



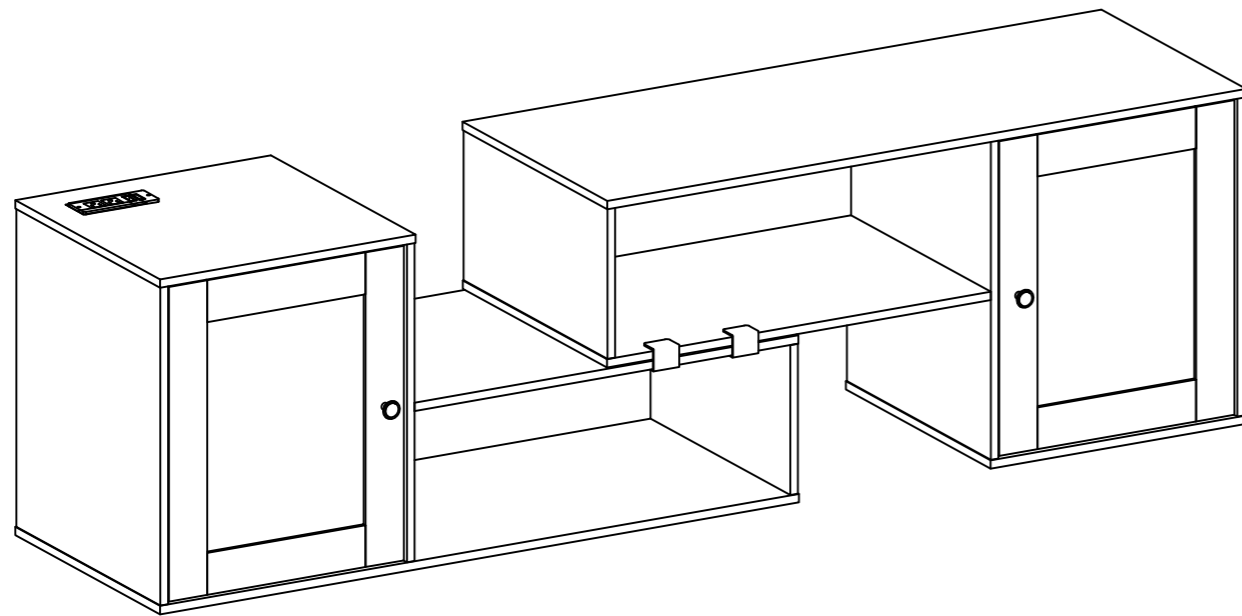
Step 27 Check and tighten all screws

Deform Shape 1



Note: Tool F is required to deform this shape.

Deform Shape 2



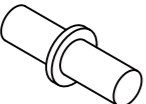


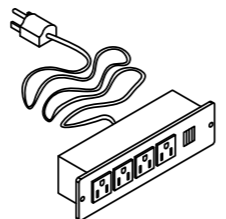


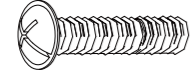

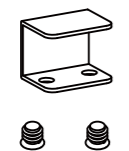
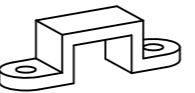
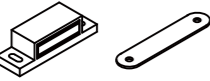
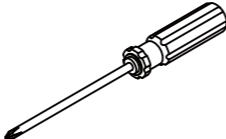

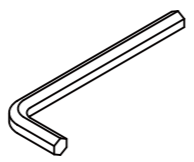


Note: Tool F is required to deform this shape.


Components

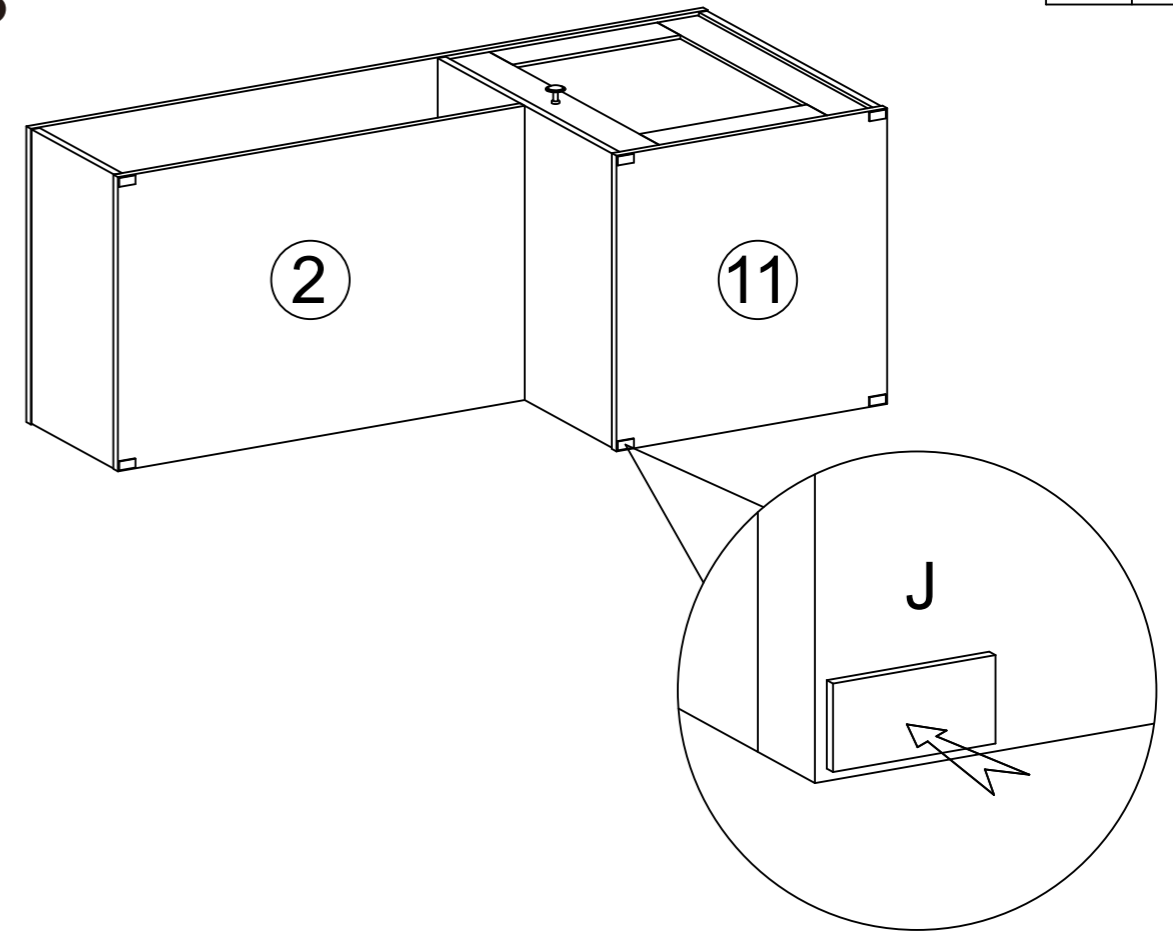
1		1	8		2
2		2	9		1
3		1	10		1
4		2	11		1
5		2	12		1
6		1	13		1
7		2			

Screws&Tools 

A	 5X40	52	I	 ST3.5X12	6
B	 Ø6	4	J		14
C	 Ø6	4	K		1
D		2	L		1
E	 M4X18	2	M	 ST3X12	24
F		2	N		12
G		2			1
H	 ST3.5X14	4			1

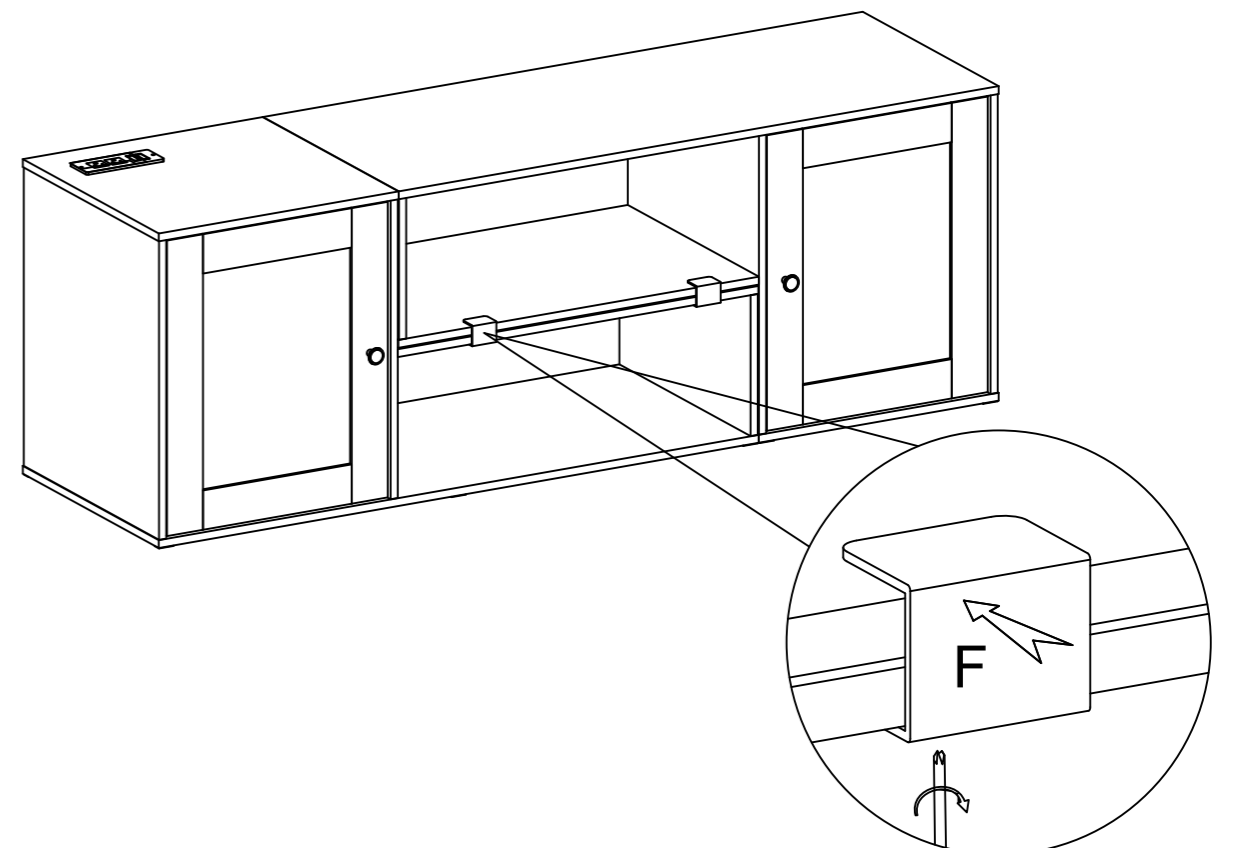
Step 25

 JX6

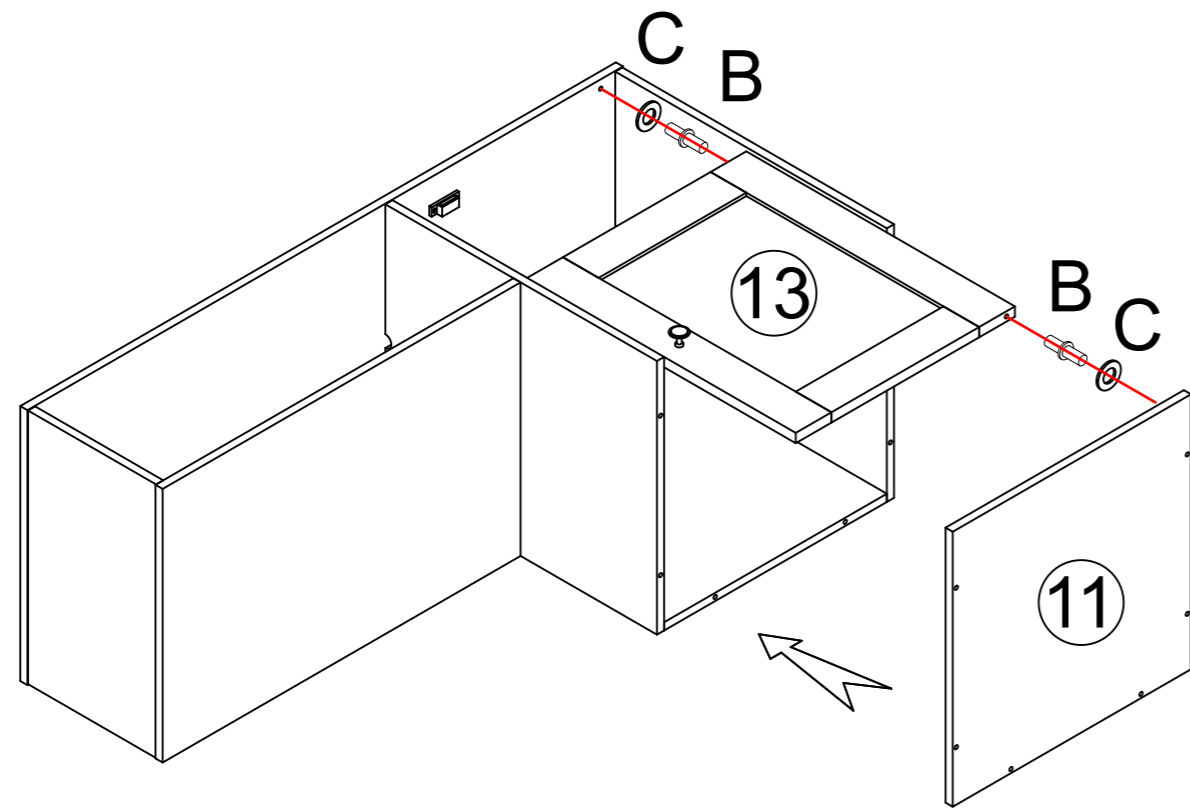
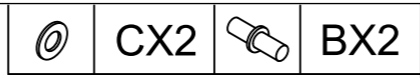


Step 26

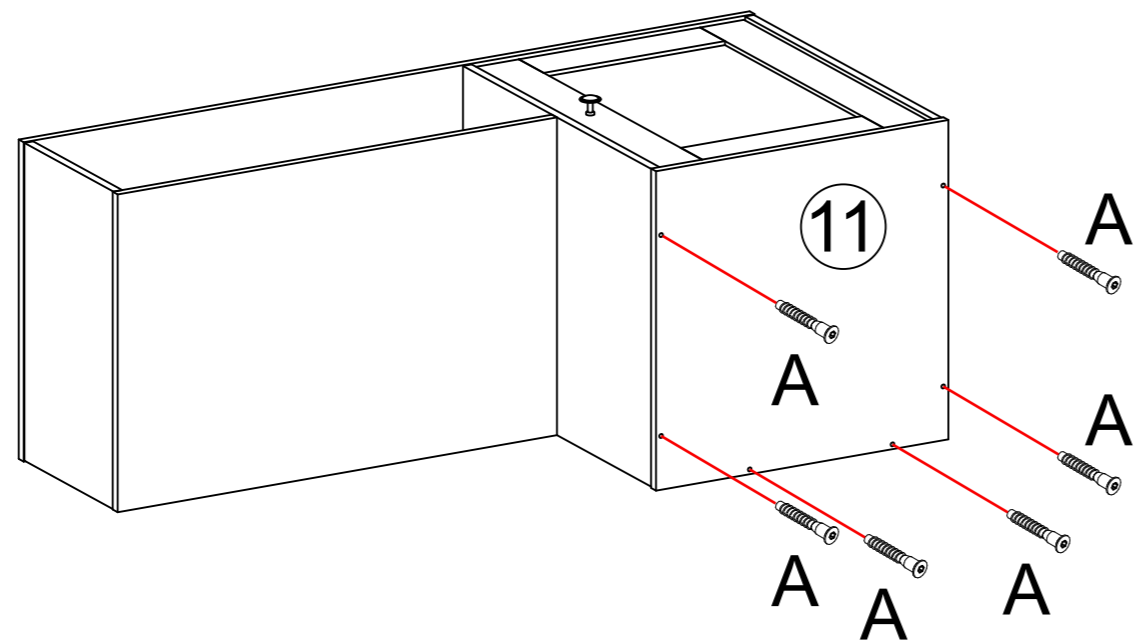
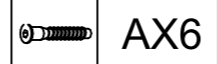
 FX2



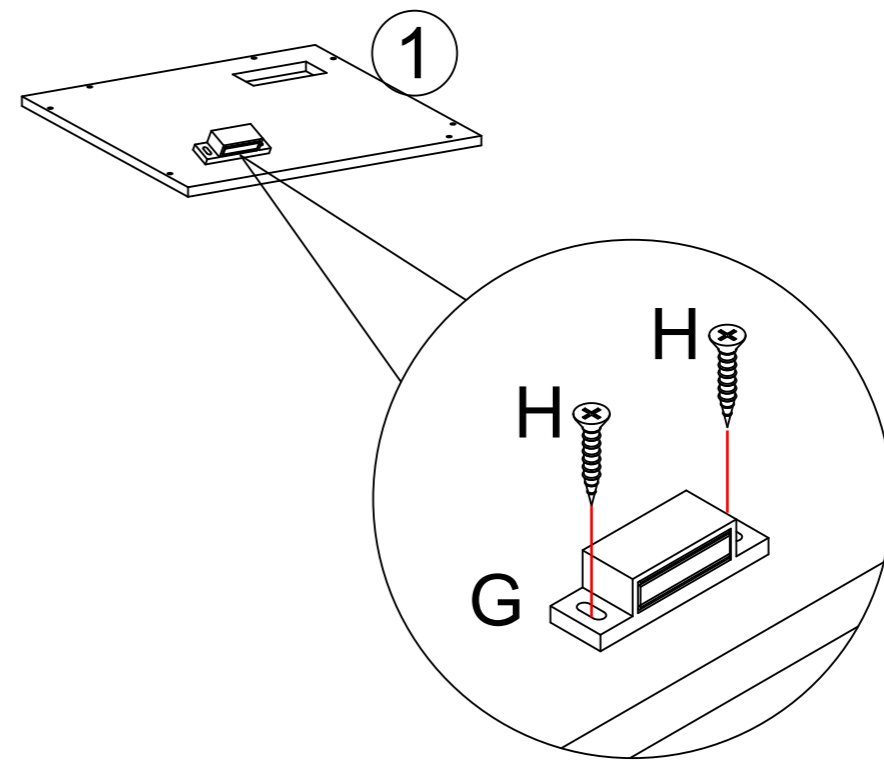
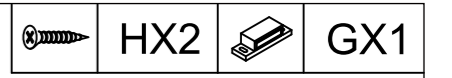
Step 23



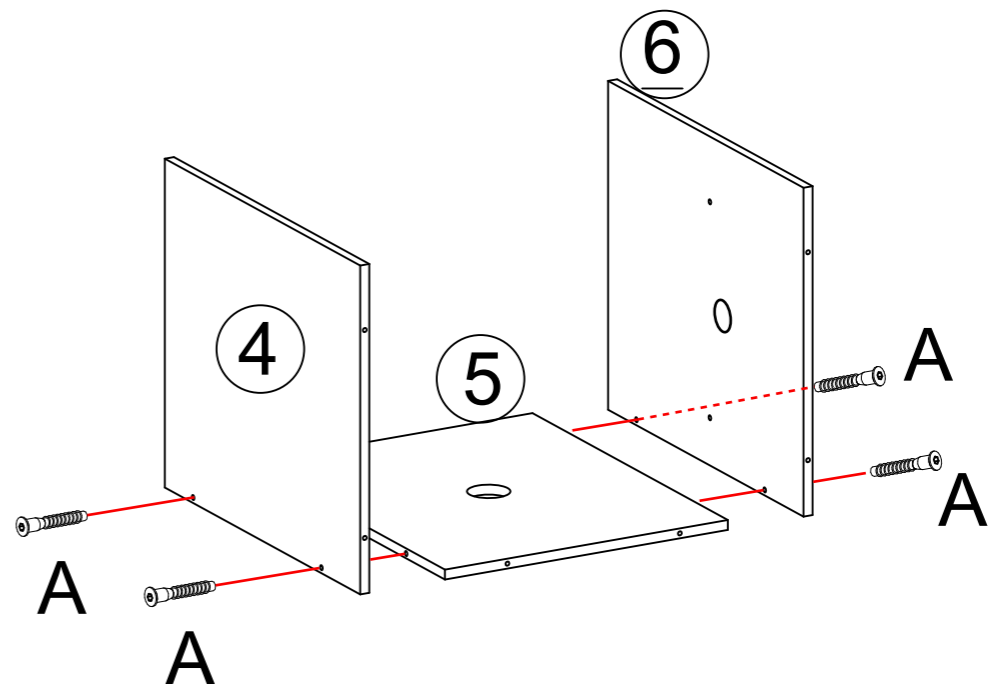
Step 24




Step 1

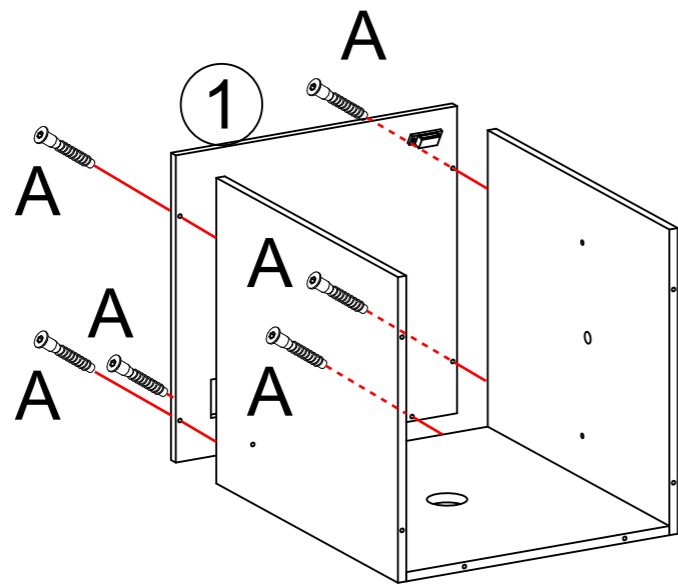


Step 2




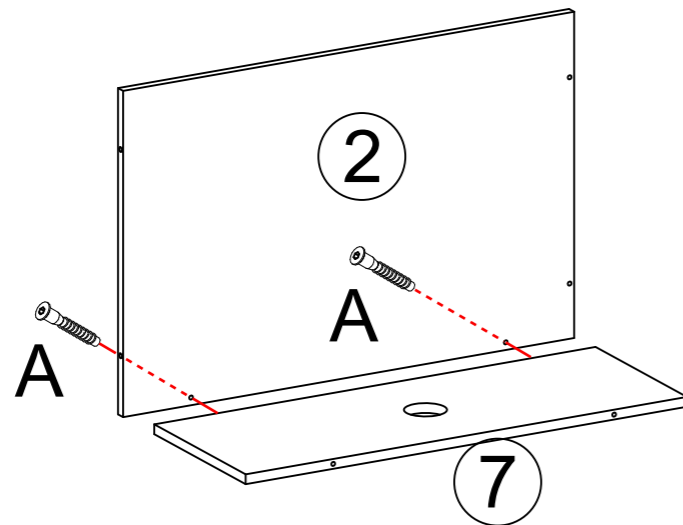
Step 3

 AX6





Step 4

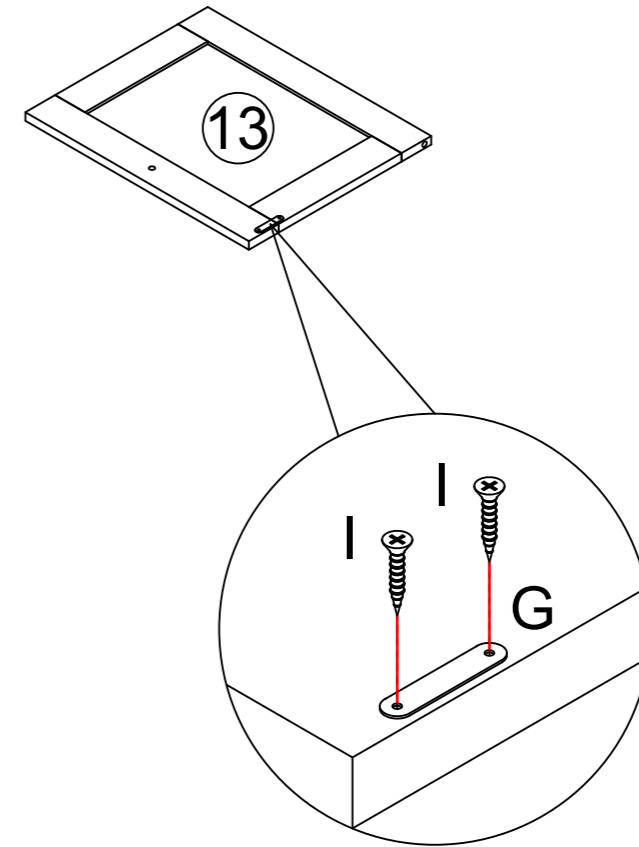
 AX4





x2

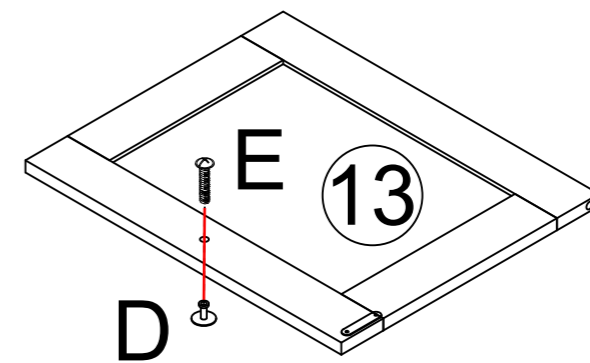
Step21

 IX2  GX1




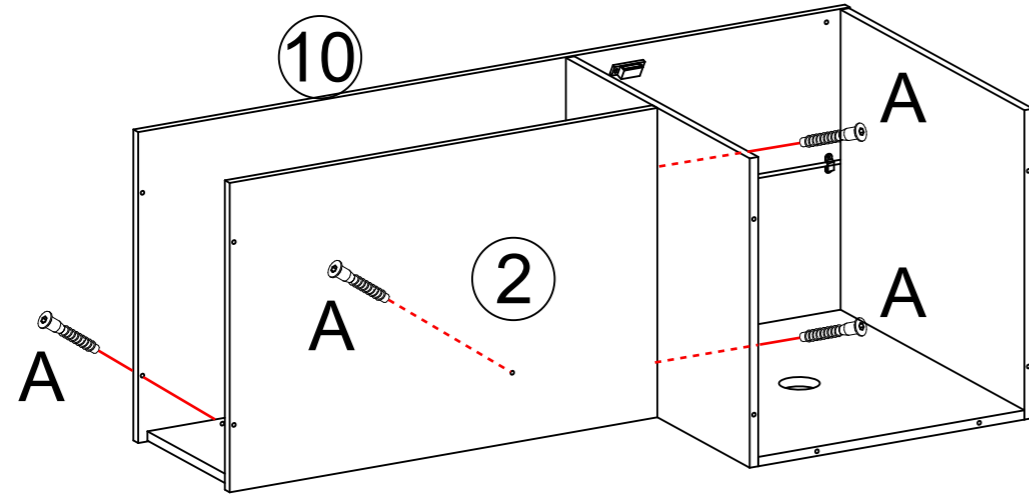
Step22

 EX1  DX1



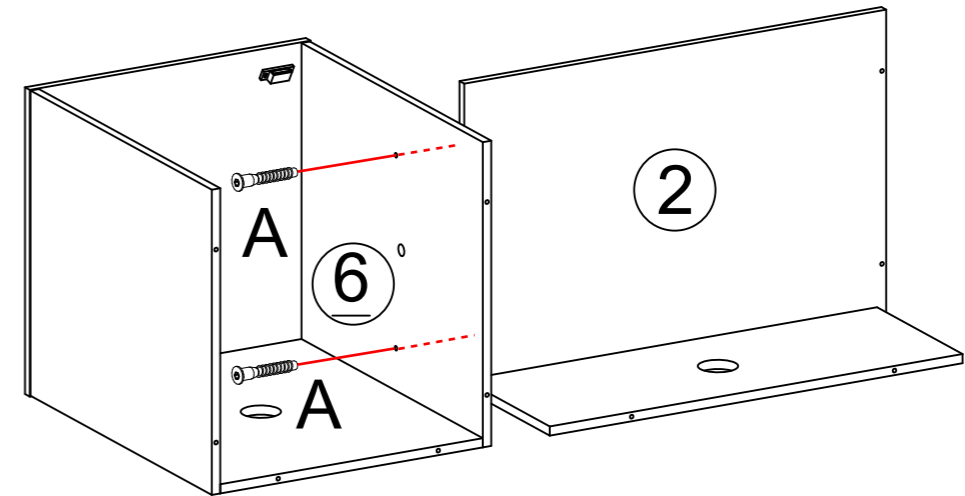
Step 19

 AX4




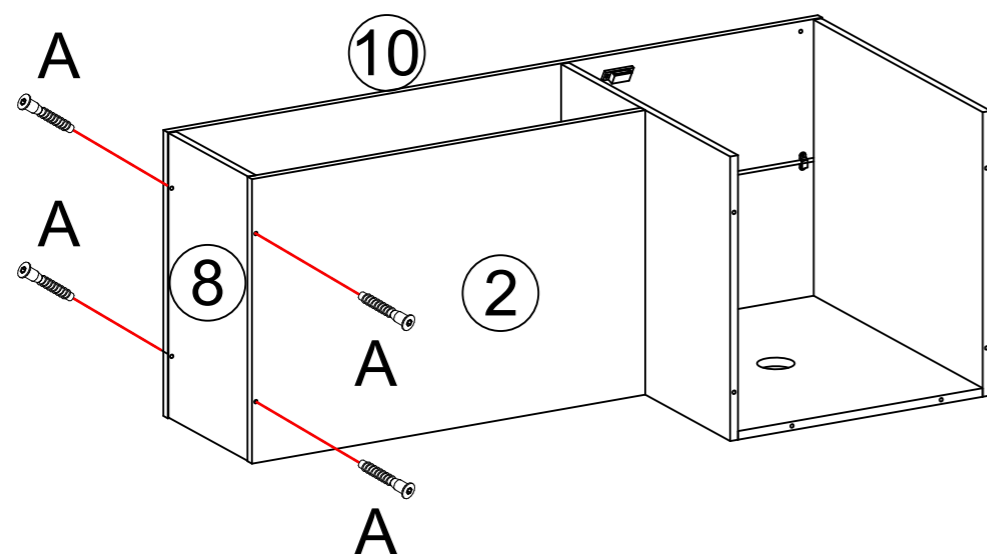
Step 5

 AX2



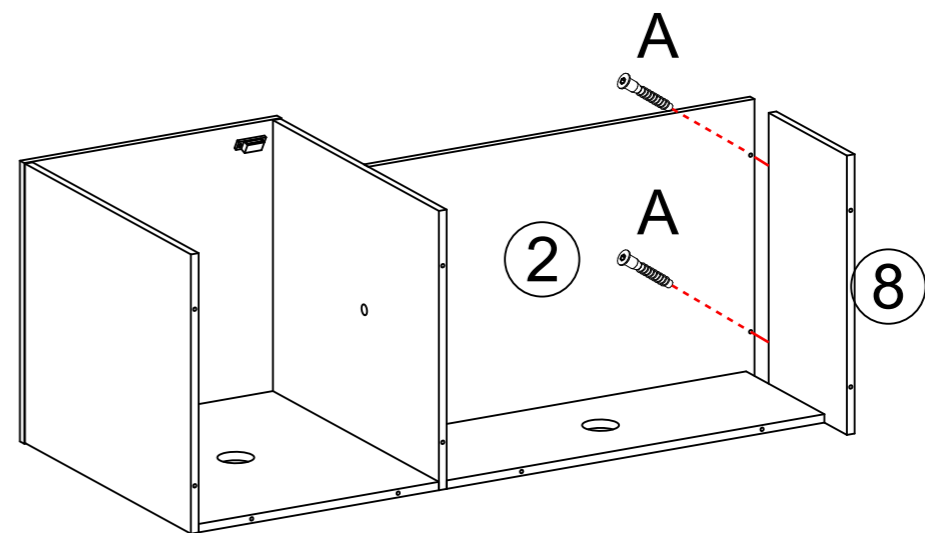
Step 20

 AX4

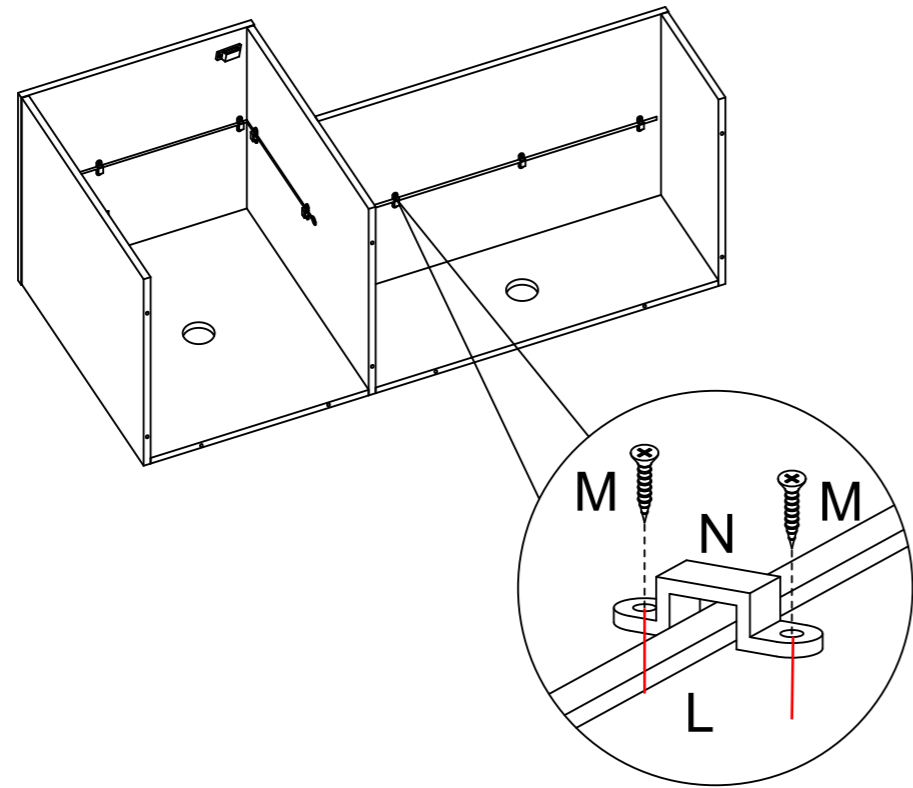





Step 6

 AX2



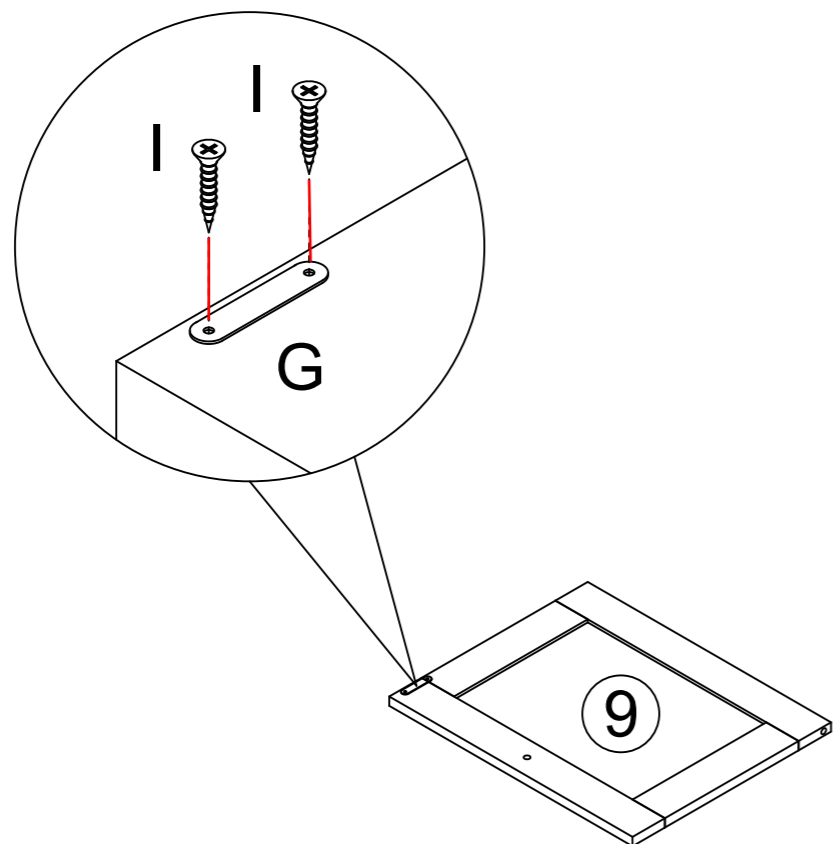
Step 7





	MX14		LX1
			NX7

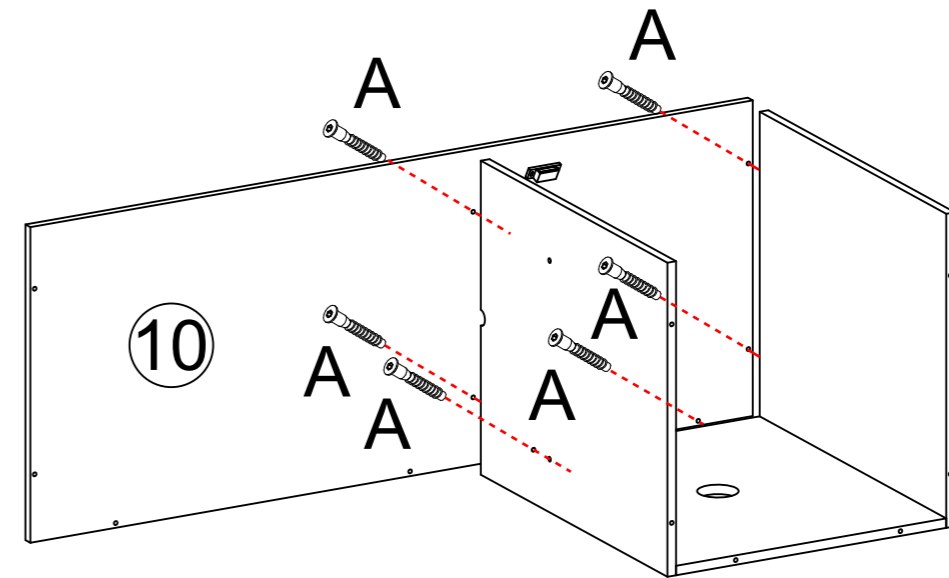
Note: The two light strips are installed separately, but they need to be connected together when plugging in for use.

Step 8



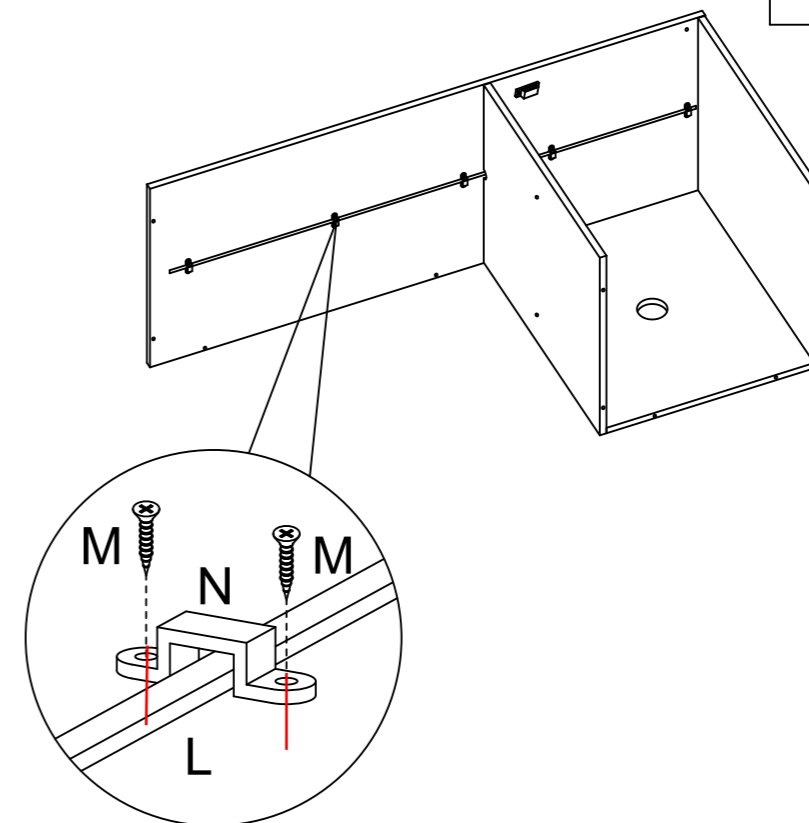
	IX2		GX1
---	-----	---	-----


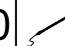

Step 17



	AX6
---	-----

Step 18

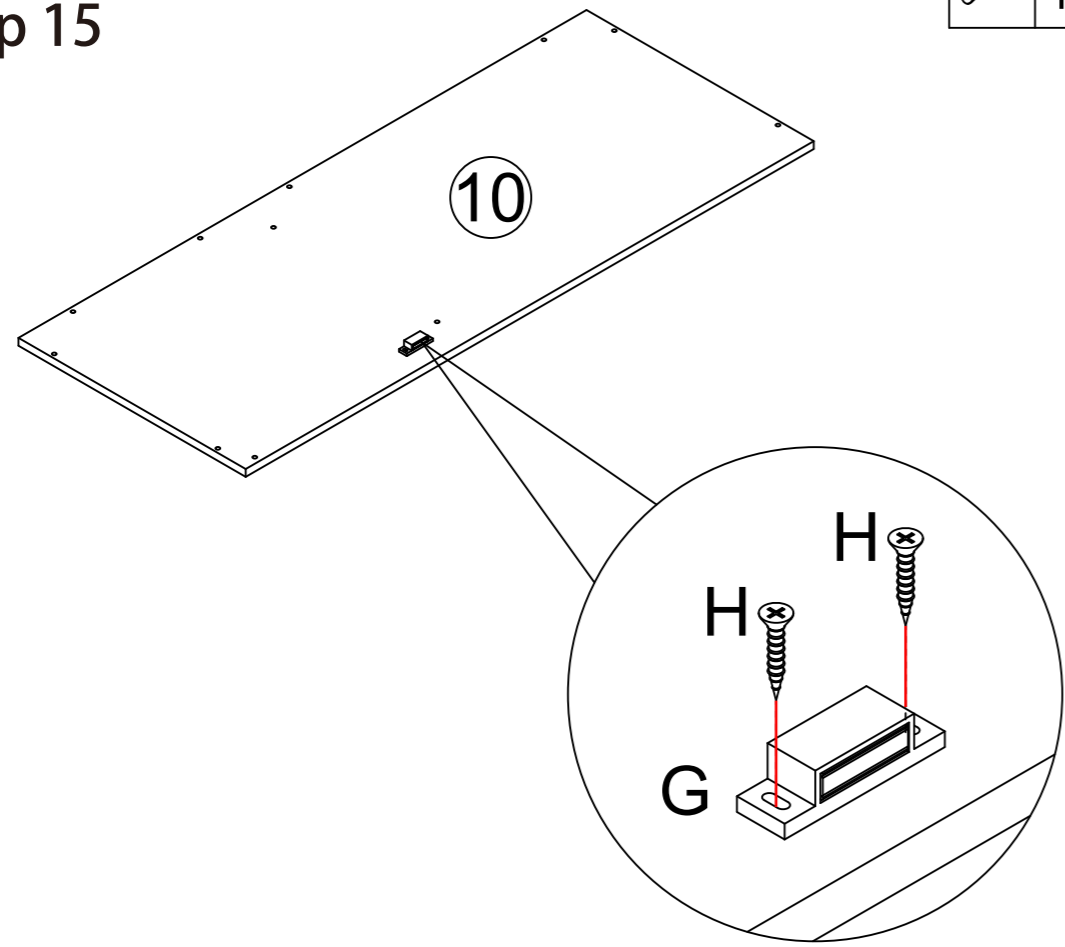


	MX10		LX1
			NX5

Note: The two light strips are installed separately, but they need to be connected together when plugging in for use.

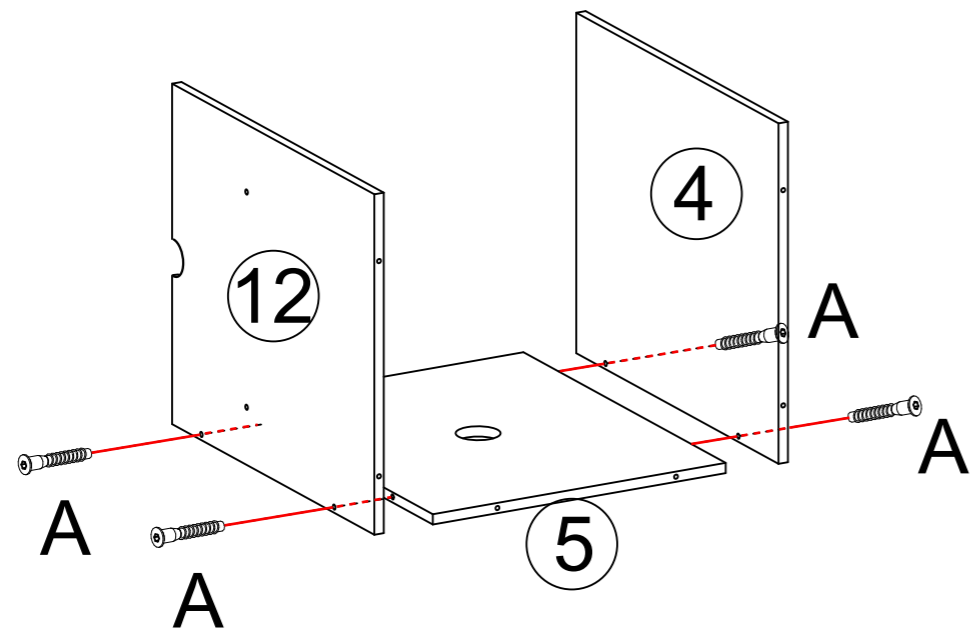
Step 15

HX2 GX1



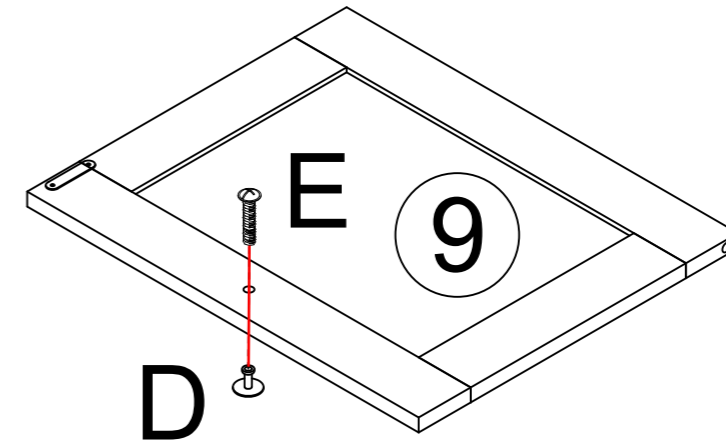
Step 16

AX4



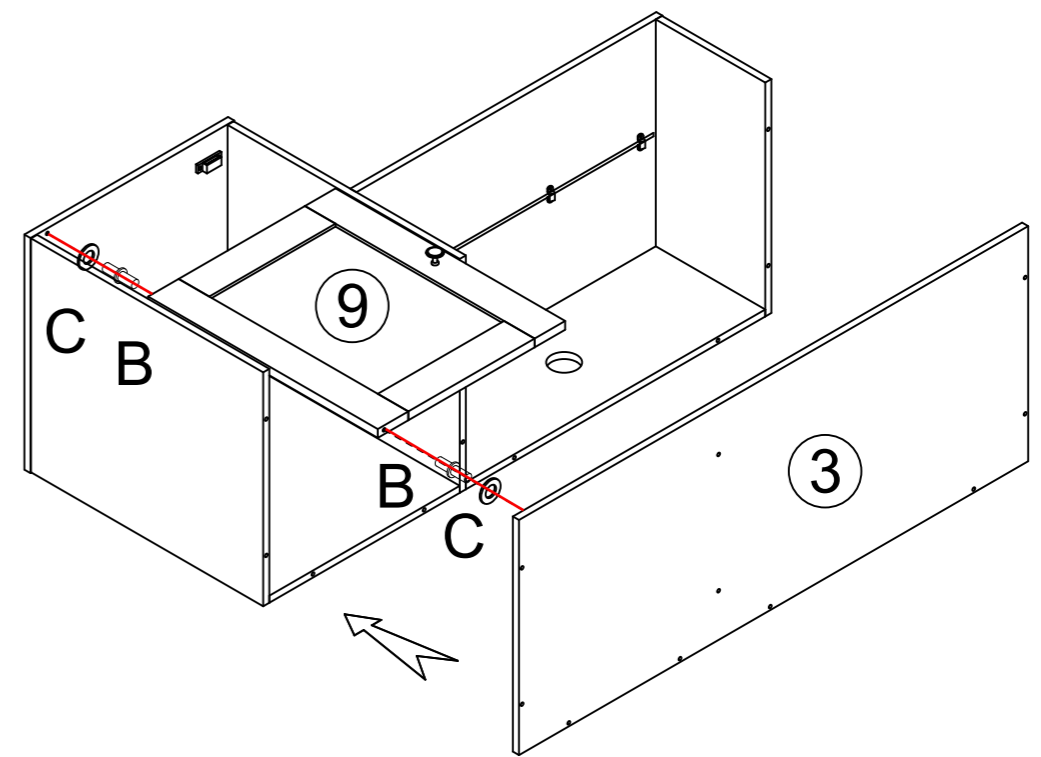
Step 9

EX1 DX1



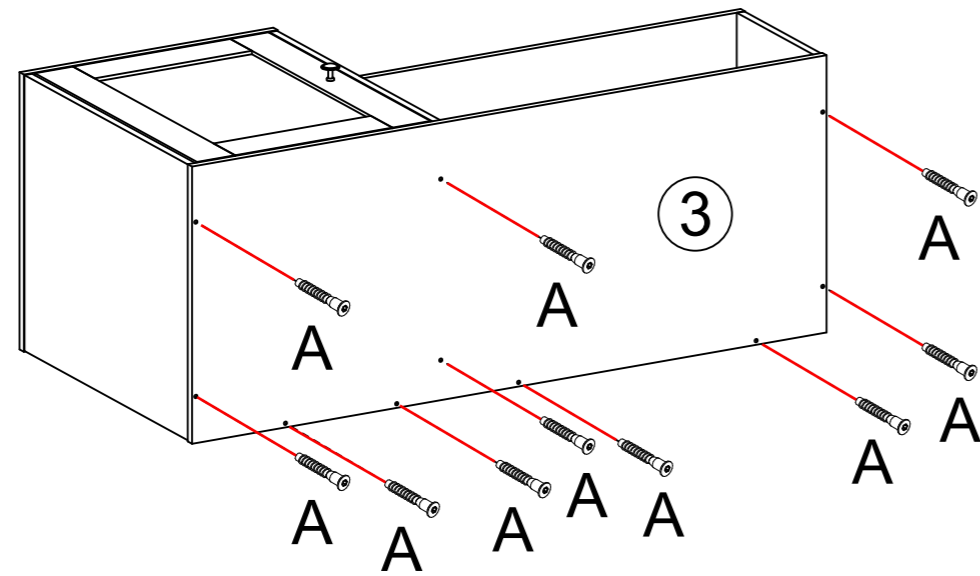
Step 10

CX2 BX2



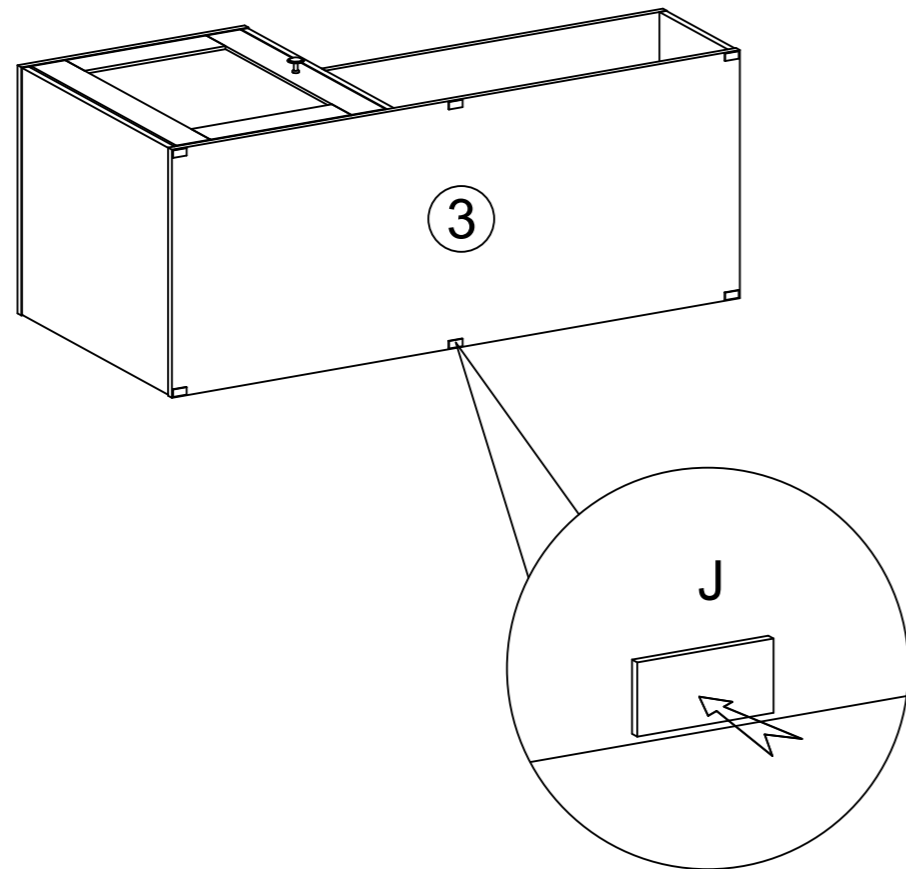
Step 11

AX10



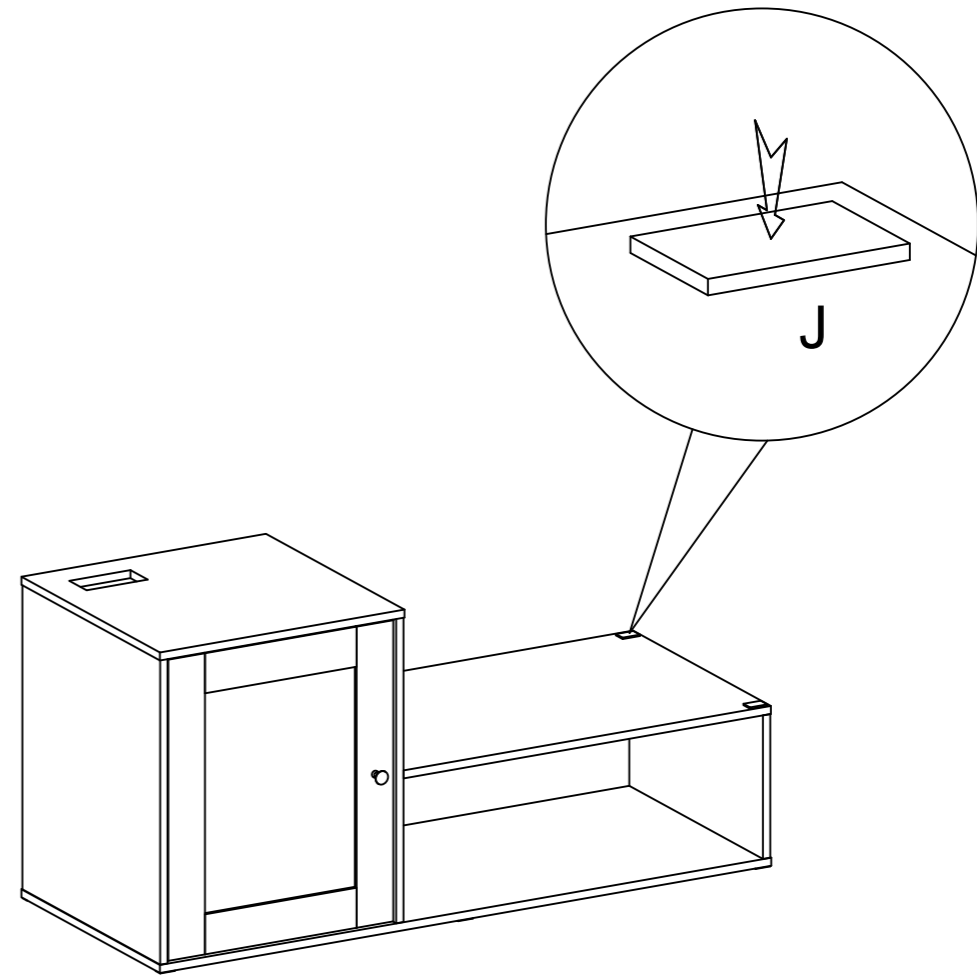
Step 12

JX6



Step 13

JX2



Step 14

IX2 KX1

