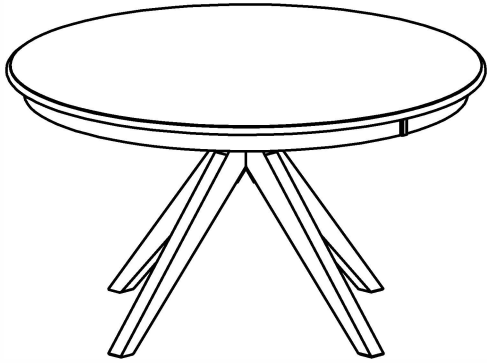


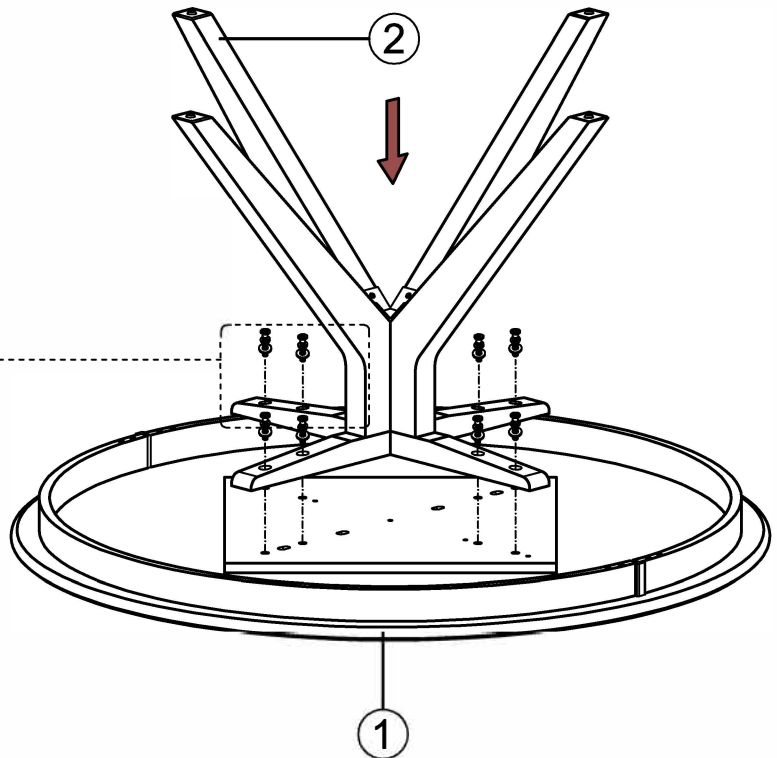
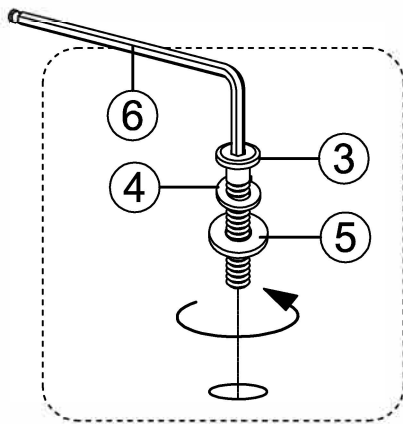
ASSEMBLY INSTRUCTION

863 - 701 MURPHY ROUND DINING TABLE TOP
863 - B01 MURPHY ROUND DINING TABLE BASE



IMPORTANT NOTES :

- Place all wooden parts on a clean and smooth surface such as a rug or carpet to prevent the parts from being scratched .
- Check to be sure that you have all parts and hardware .
- Remove all wrapping materials, including staples and packing straps before you start to assemble .
- Do not tighten all screws and bolts until completely assembled .
- Keep all hardware out of the reach of children .



Item #	Description	Quantity
1.	Table Top	1
2.	Table Base	1
3.	Bolts 5/16" x 35mm	8
4.	Lock Washers 5/16"	8
5.	Washers 5/16"	8
6.	Allen Key	1