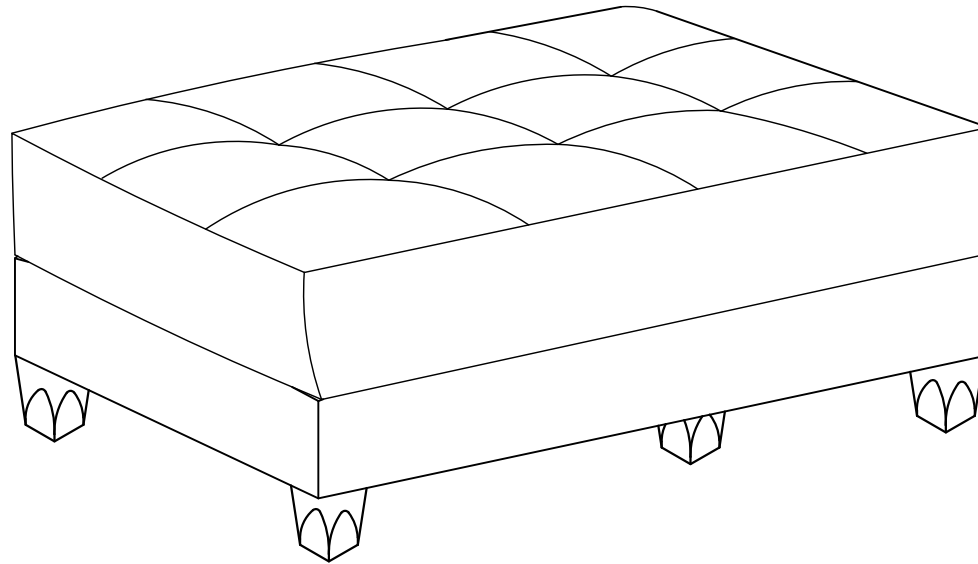
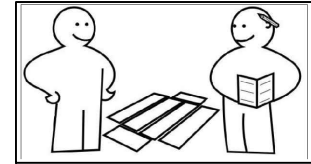


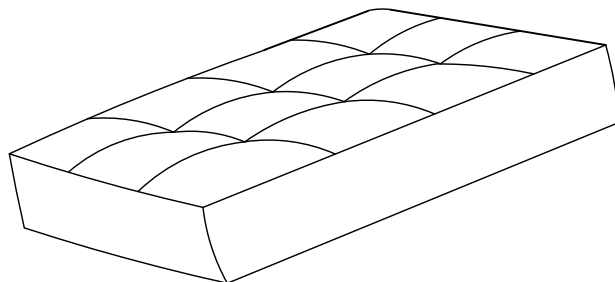
# ASSEMBLY INSTRUCTION

Attention:  
Two people are required for  
assembly and lifting unit.



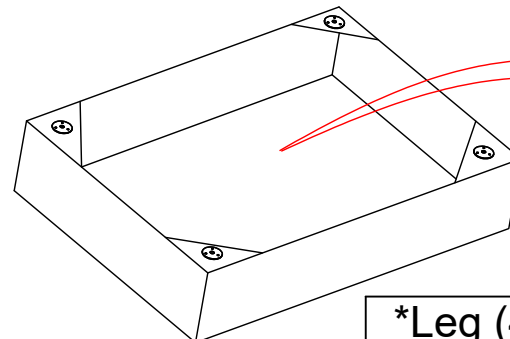
## ASSEMBLY PART

A.



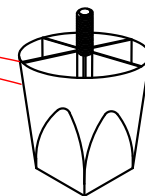
Cushion (1pc)

B.



Base (1pc)

C.



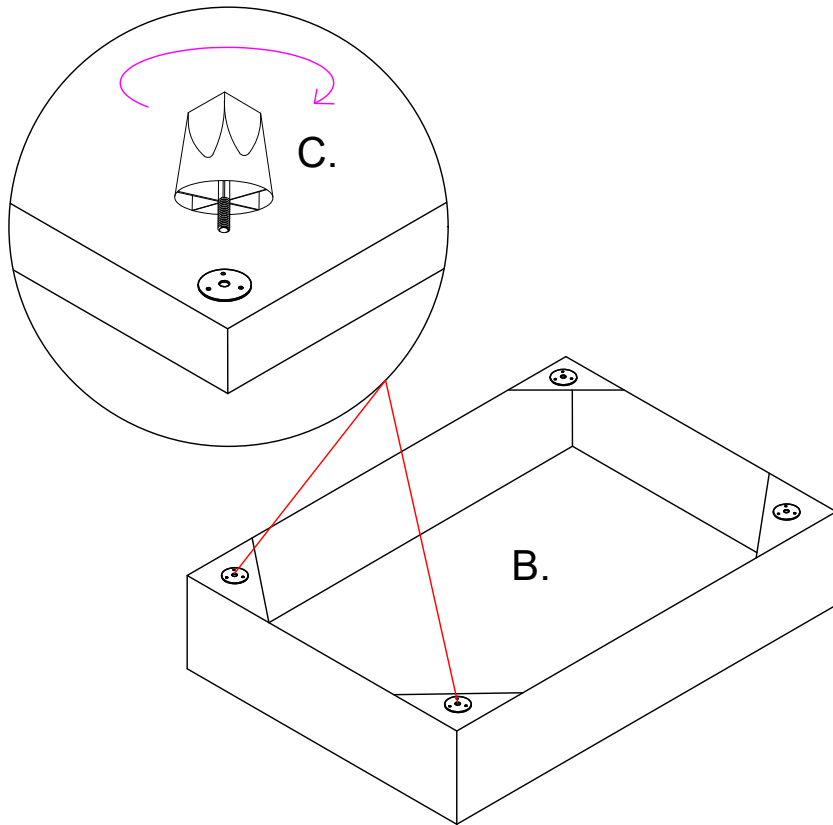
Leg (4pcs)

\*Leg (4pcs) can be found at  
the bottom of storage base.

# ASSEMBLY STEPS

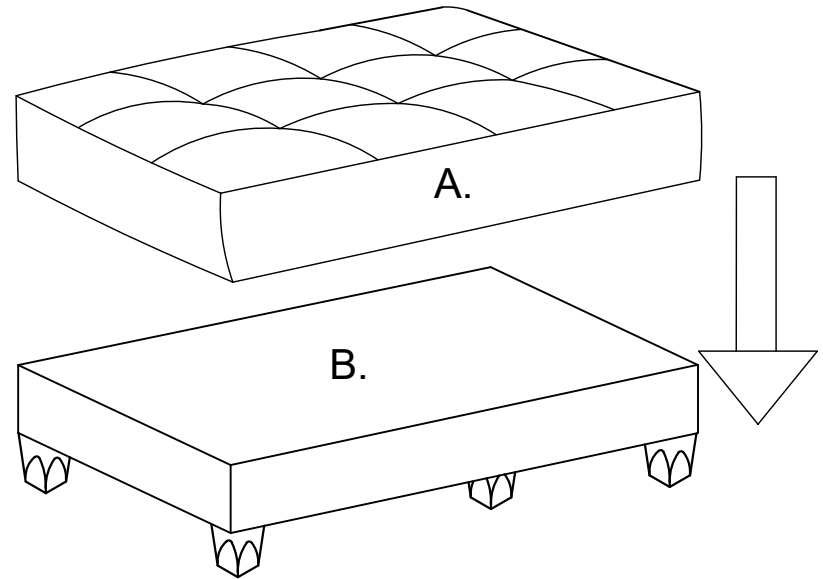
## STEP 1

Open the Base(B)'s bottom cover, remove the Leg(C). After that, close back the cover. Attached the Leg(C)(4pcs) to the Base(B)(1pc). Make sure it is fully tighten and secure.



## STEP 2

Attached the Cushion(A)(1pc) to the Base(B)(1pc). And it is ready to use.



Completed Product

