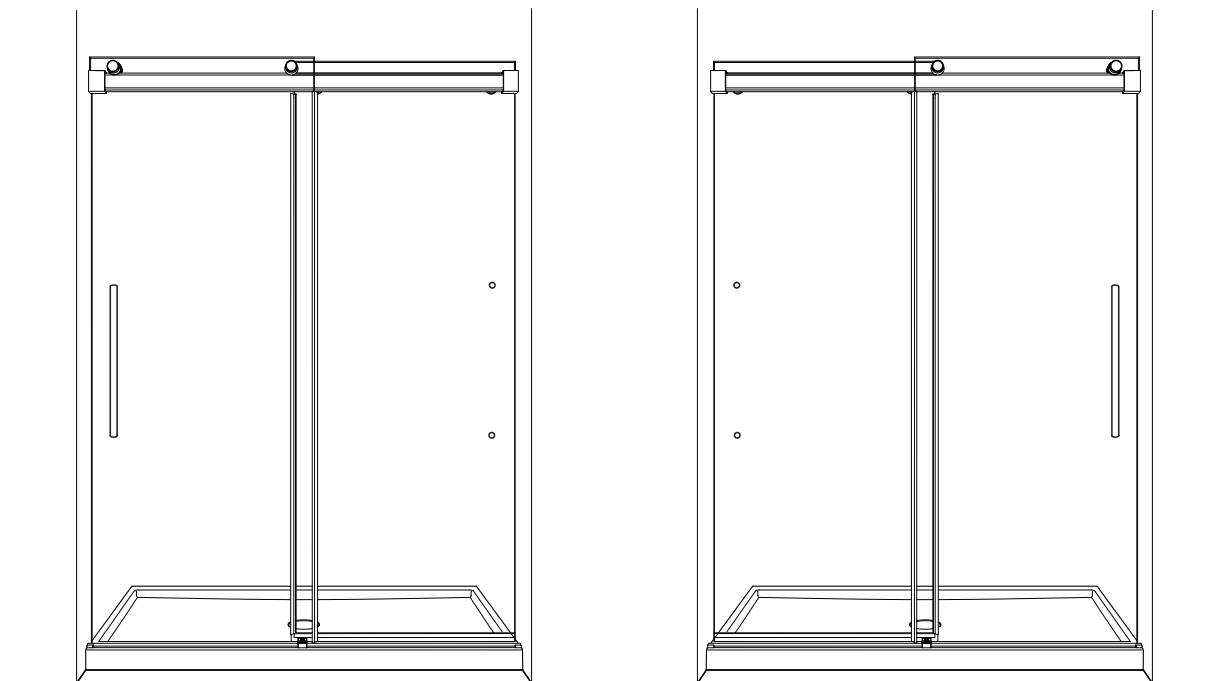


ANZZI®

Item: SD-FRLS05901\*\*  
SD-FRLS05902\*\*

ANZZI GLASS SHOWER DOOR  
INSTALL & OPERATION MANUAL  
V1.0



# DON'T WAIT! REGISTER NOW!

Register your product within 90 days to ensure your product is recognized as an official purchase and is eligible for warranty coverage.

Mail in the completed registry card (Pg. 2) or register online at [www.swcorp.com/register](http://www.swcorp.com/register).



## PRODUCT REGISTRATION\*

**IMPORTANT: YOUR WARRANTY WILL NOT BE RECOGNIZED UNLESS THIS CARD IS FULLY COMPLETED AND RETURNED OR ONLINE REGISTRATION IS COMPLETED.**

To ensure that your warranty is registered and confirmed please do one of the following:

1. Register online at [www.swcorp.com/register](http://www.swcorp.com/register). You will be asked to fill out the same information you would in the registration card. Registering online is fast, secure and ensures we receive your information.
2. Complete, cut-out and mail the registration card below. By returning this registration card we confirm the date of purchase for your new product. This confirmation will allow us to process any warranty claims.

**Mail the card to: 5701 NW 35 Avenue, Miami, FL 33142**



### Product Registration Card

Name..... Address .....

City..... State..... Zip.....

Phone ..... Email.....

Date of Purchase .....

Installer's Name ..... Phone .....

I have read the Owner's Manual carefully and understand and agree that any installation, operation or maintenance of the product must be done strictly in accordance with instructions and guidelines contained in the owner's manual and installation guide.

Signature..... Date.....

Have questions? Call us at 1-844-44-ANZZI or visit us at [www.ANZZI.com](http://www.ANZZI.com)

## ◆ General Information

Please inspect the product immediately upon receipt for transit damage, missing packs/parts or manufacturing fault. Damage reported later cannot be accepted. Please handle the product with care avoiding knocks and shock loading to all sides and edges of the glass.

### **Notes: Safety glass can not be re-worked.**

Please read these instructions carefully before start of installation.

Special care should be taken when drilling walls to avoid hidden pipes or electrical cables.

Note: This product is heavy and may require two people to install.

## **Aftercare instructions**

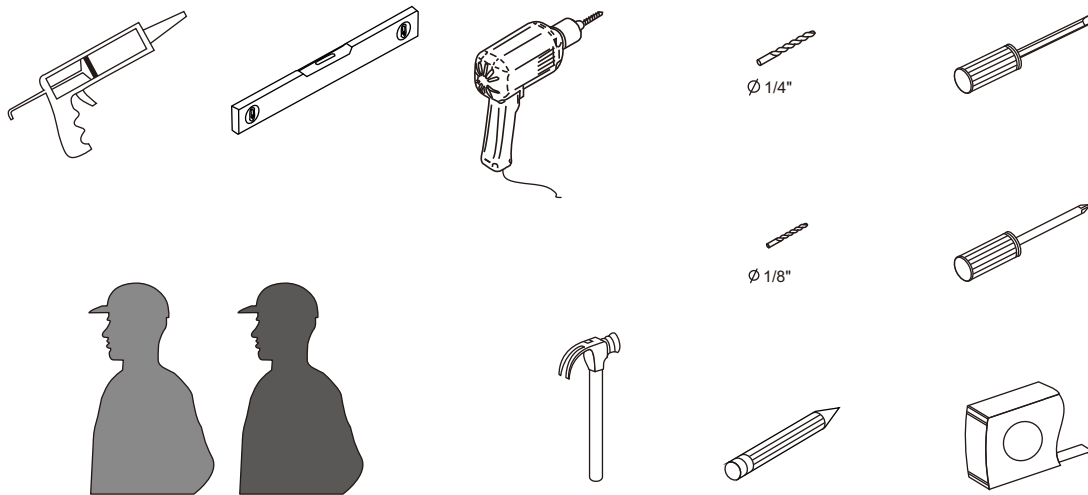
After use, your shower should be cleaned with soap and water. This is particularly important in hard water districts where insoluble lime salts may be deposited and allowed to build up. Cleaners of a gritty or abrasive nature should not be used. Care should be taken to avoid contact with strong chemicals such as organic solvents and strippers.

Glass cleaners can be used but with caution, if in doubt contact the manufacturer of the cleaner in question.

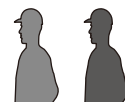
Please keep these instructions for aftercare and customer service details.

---

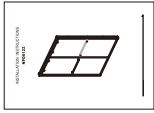

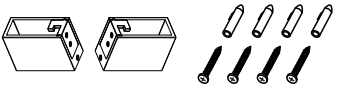

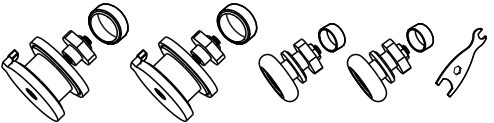
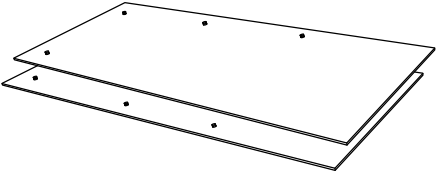
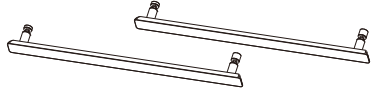

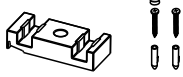




## **Tools Required**



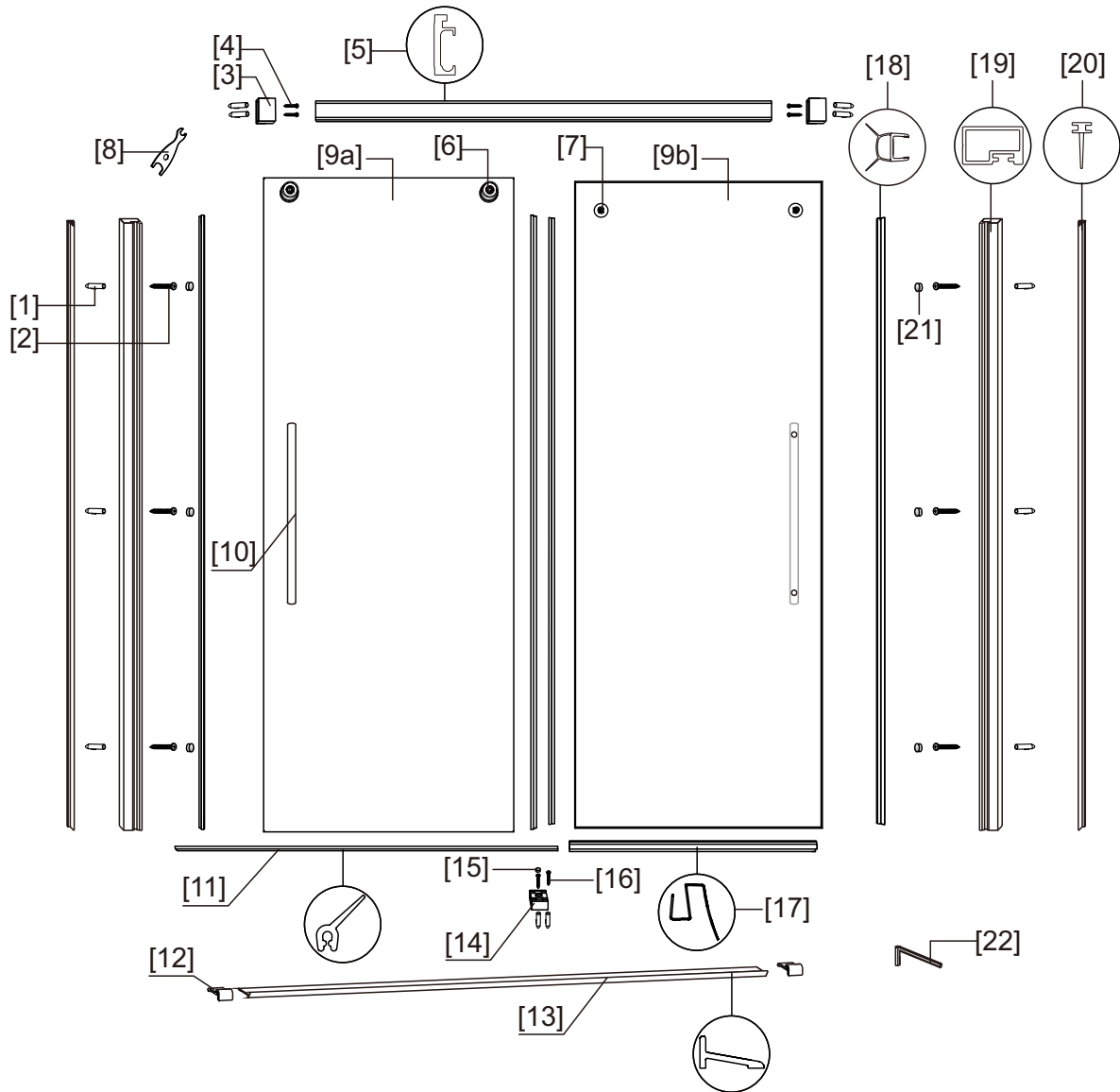
**This product is heavy and may require two people to install.**



## ◆ Box Contents:

1xInstallation Instruction	➔	
[1] 6xWall Plugs. [2] 6xRound Head Screws ST4x35	➔	
[3] 2xWall Bracket (L&R) [4] 4xScrews ST4x35 4xWall Plugs	➔	
[5] 1xSupport Bar	➔	
[6] 2xOuter Wheels [7] 2xInner Wheels [8] 1xWrench	➔	
[9] 2xDoor Panels	➔	
[10] 2xHandle Sets	➔	
[11] 1xThreshold Gasket [12] 2xSeals [13] 1xAluminum Seal	➔	
[14] 1xBottom Guide [15] 1xBottom Guide Cap [16] 2xScrews ST3.5x25 2xWall Plugs	➔	
[17] 1xBottom Guide [18] 4xSide Gaskets	➔	
[19] 2xPosts [20] 2xGaskets	➔	
[21] 6xCaps	➔	
[22] 1x0.1" Allen Key	➔	

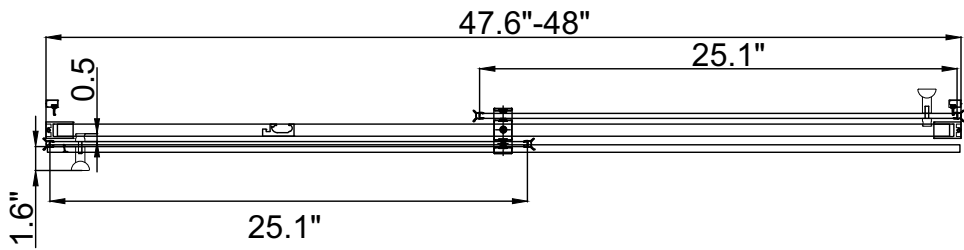
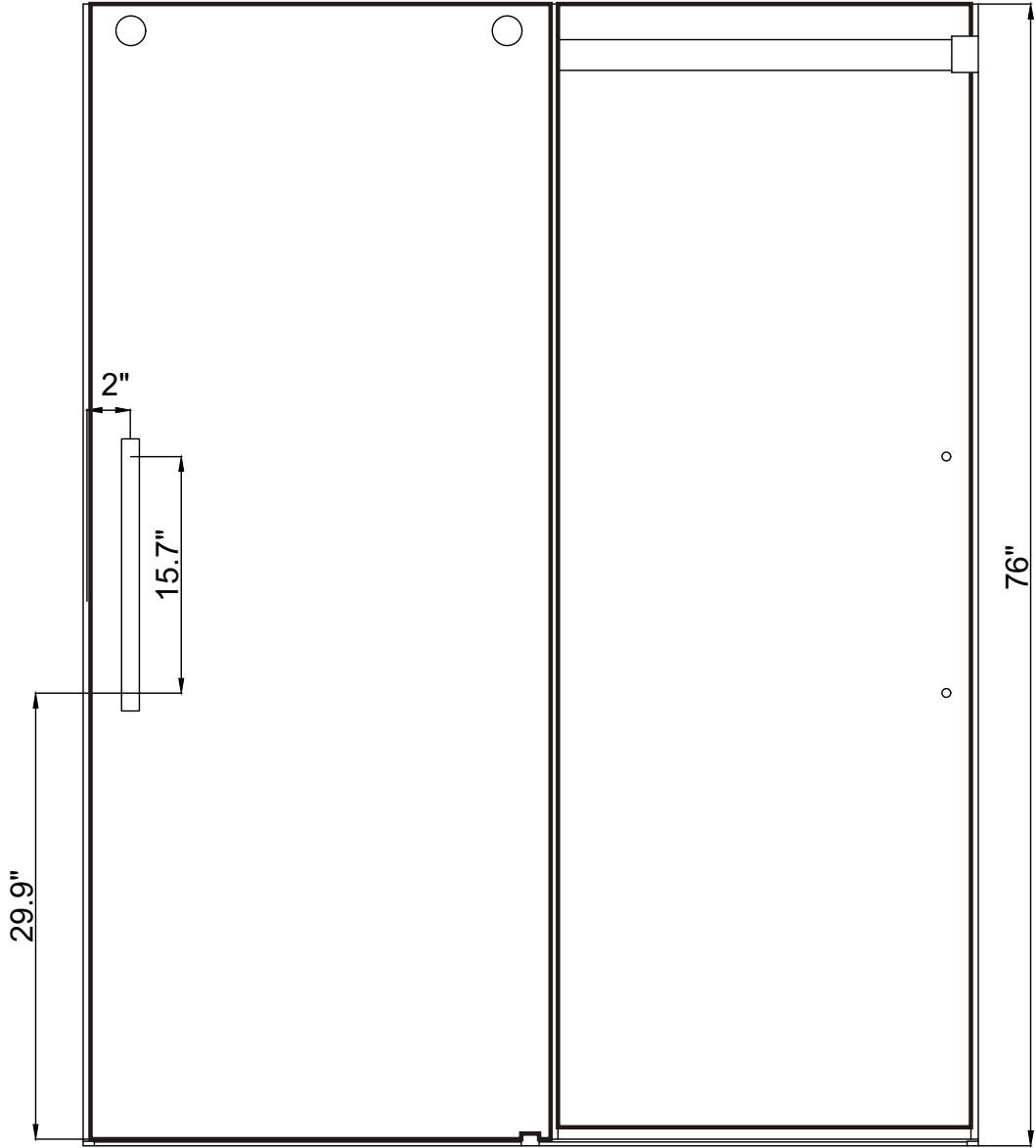
# ◆ Assembly Drawing



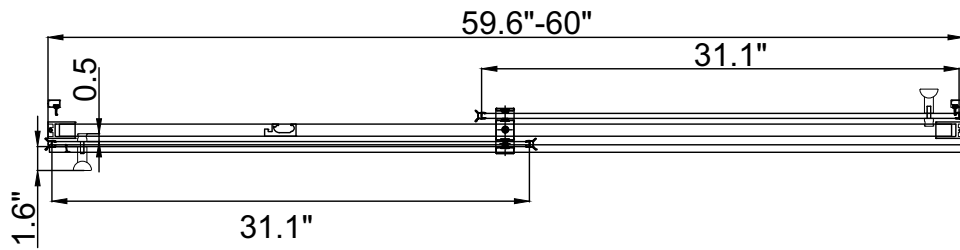
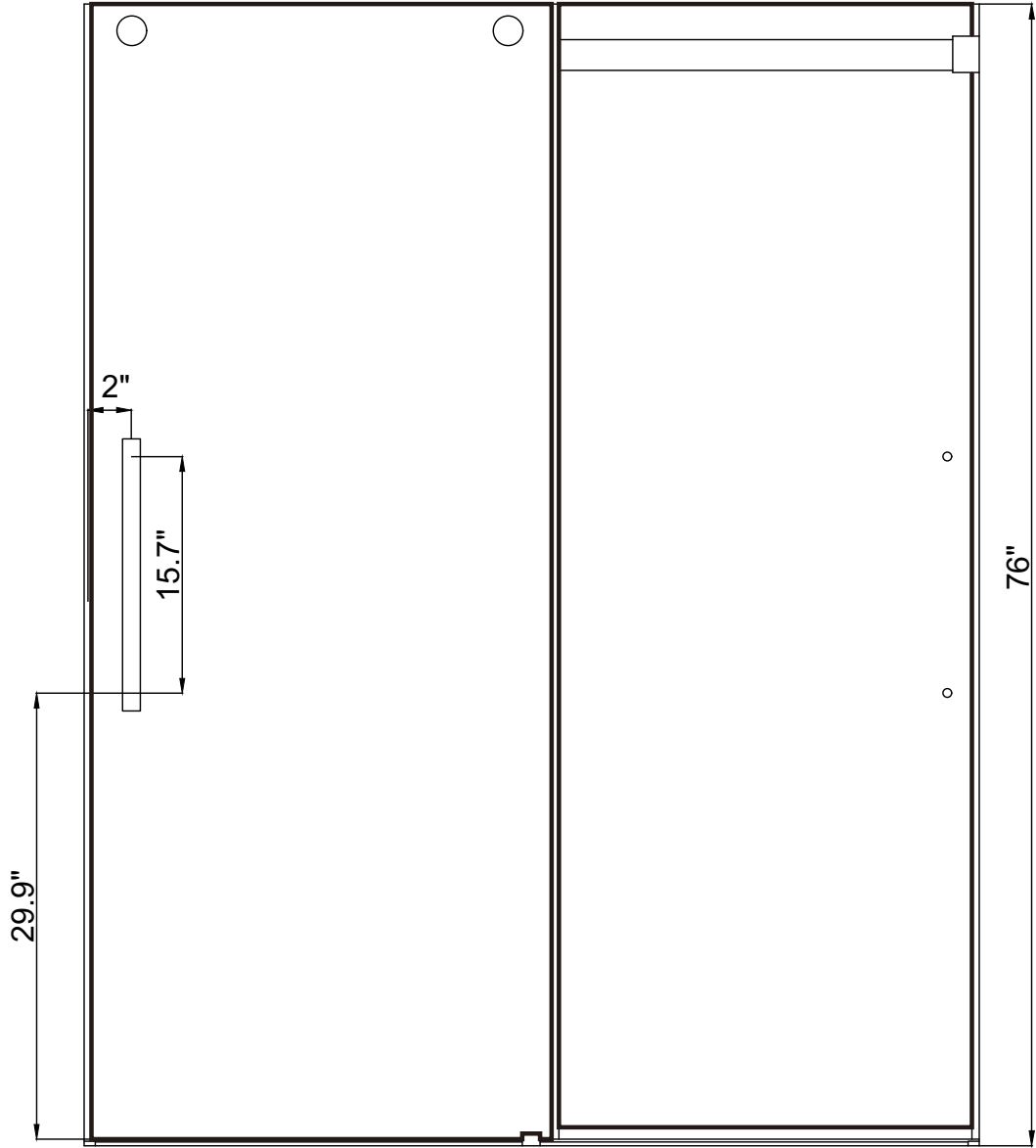
- [1] 12xWall Plugs
- [2] 6xRound Head Screws ST4x35
- [3] 2xWall Bracket (L&R)
- [4] 4xScrews ST4x35
- [5] 1xSupport Bar
- [6] 2xOuter Wheels
- [7] 2xInner Wheels
- [8] 1xWrench
- [9] 2xDoor Panels
- [10] 2xHandle Sets
- [11] 1xThreshold Gasket

- [12] 2xSeals
- [13] 1xAluminum Seal
- [14] 1xBottom Guide
- [15] 1xBottom Guide Cap
- [16] 2xScrews ST3.5x25
- [17] 1xBottom Guide
- [18] 4xSide Gaskets
- [19] 2xPosts
- [20] 2xGaskets
- [21] 6xCaps
- [22] 1x0.1" Allen Key

# SD-FRLS05901\*\* 48"\*76"

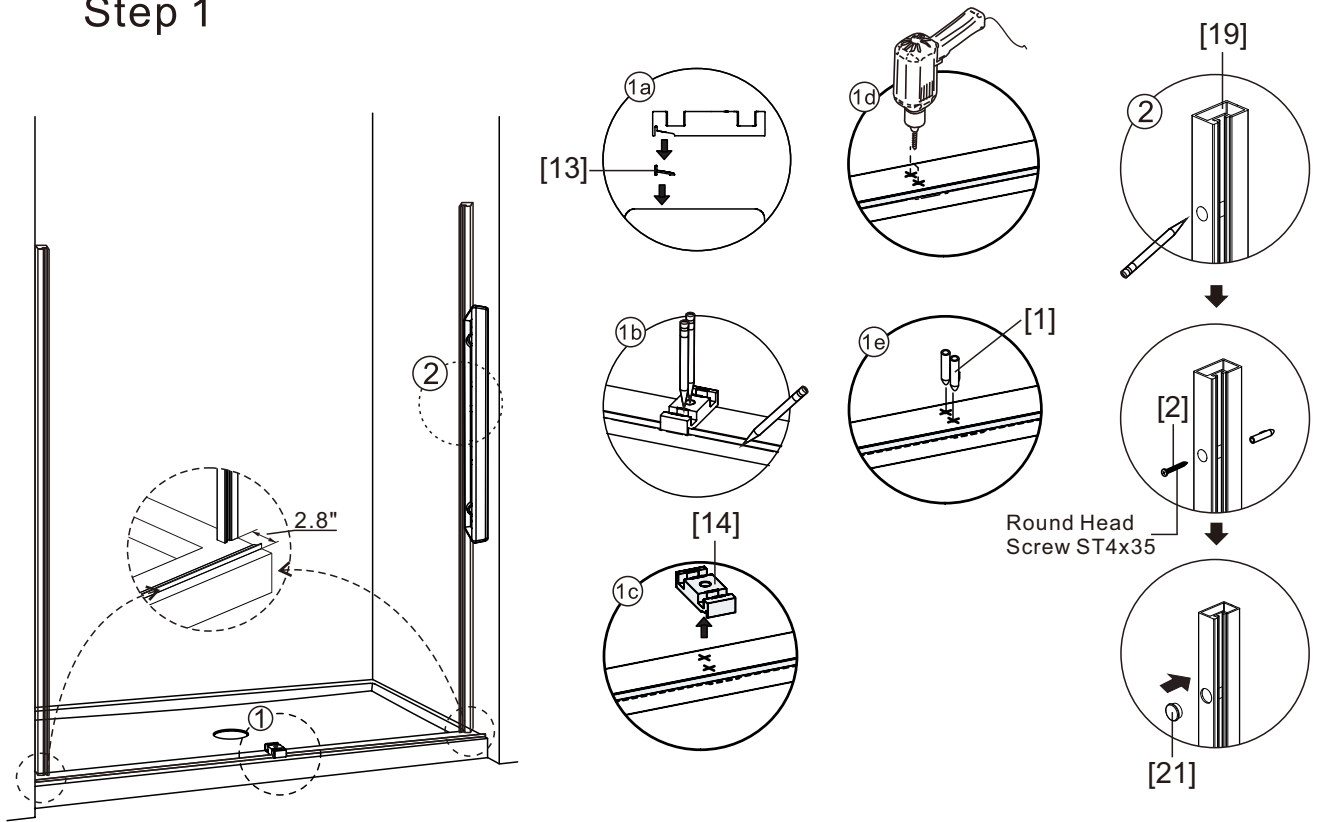


# SD-FRLS05902\*\* 60"\*76"

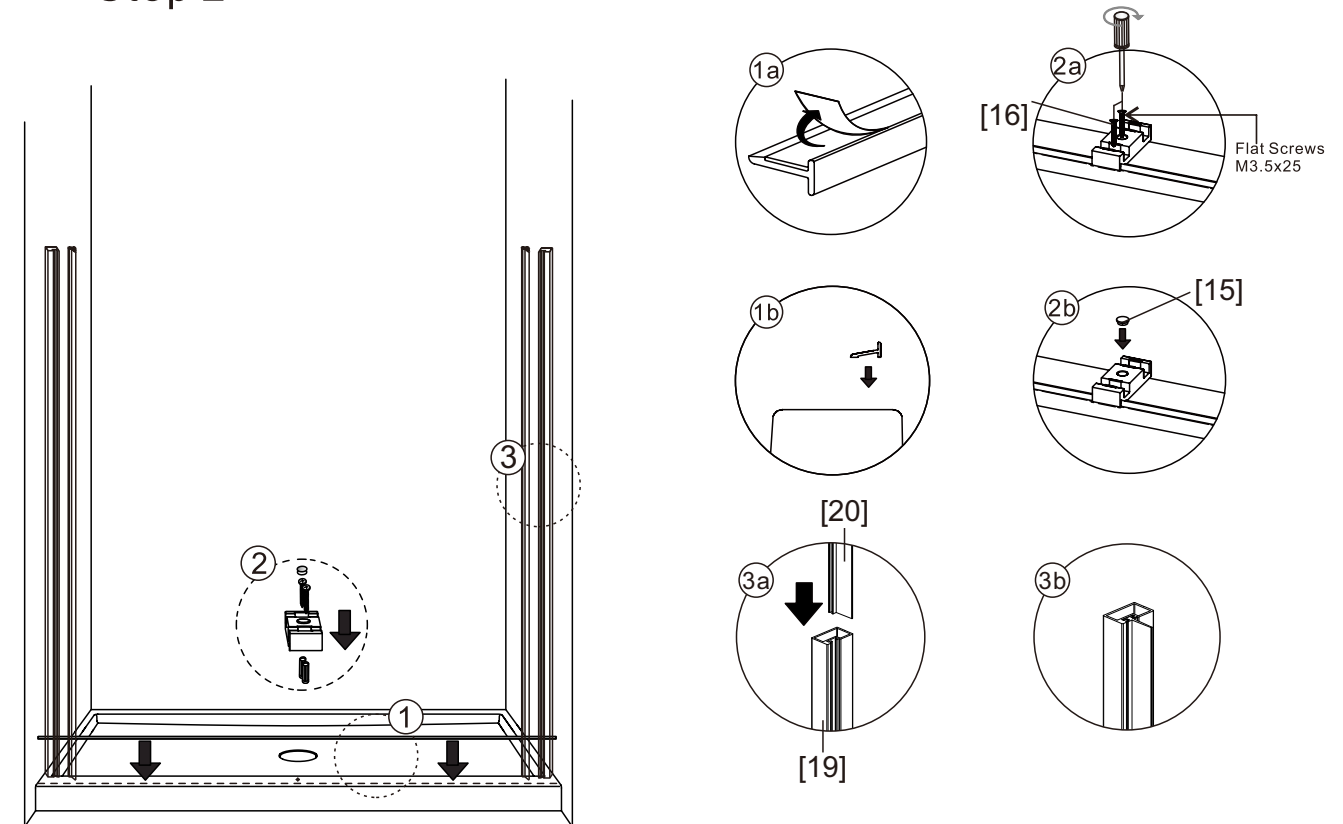


# ◆ Installation Steps

## Step 1

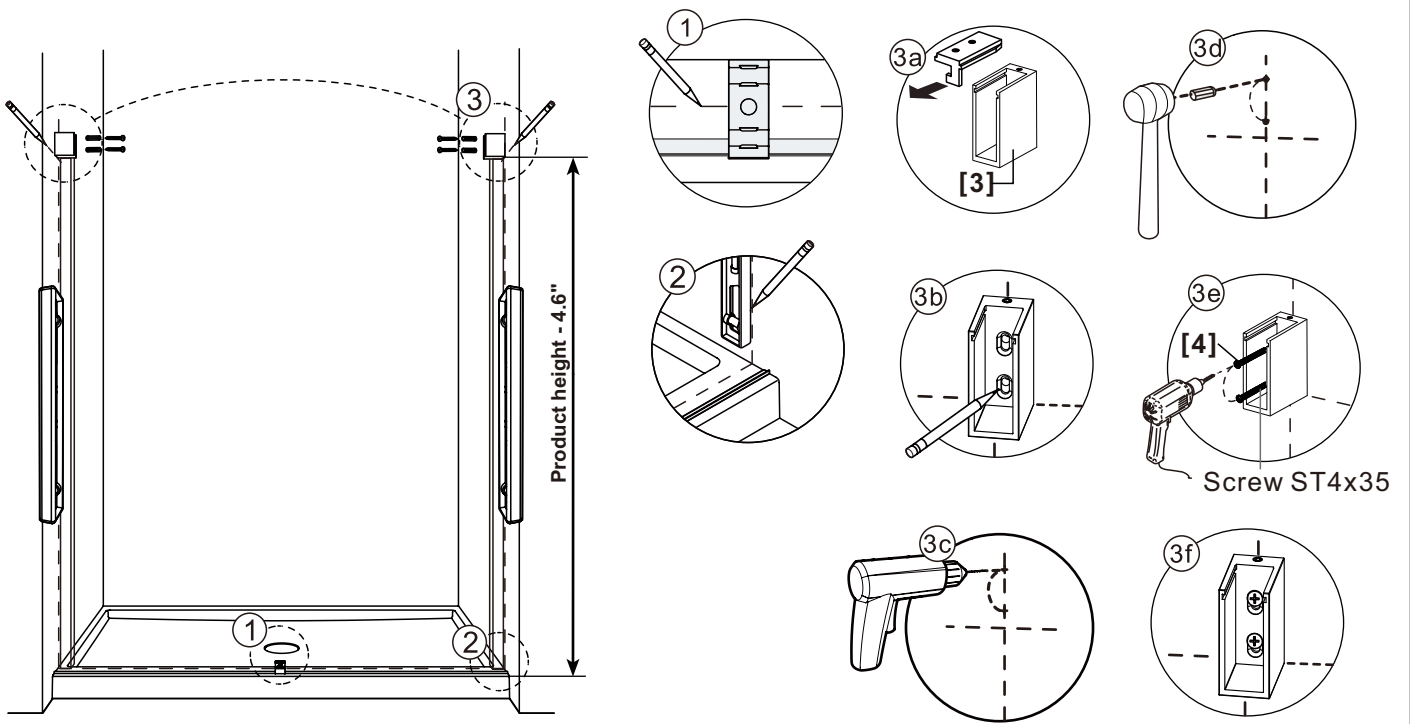


## Step 2

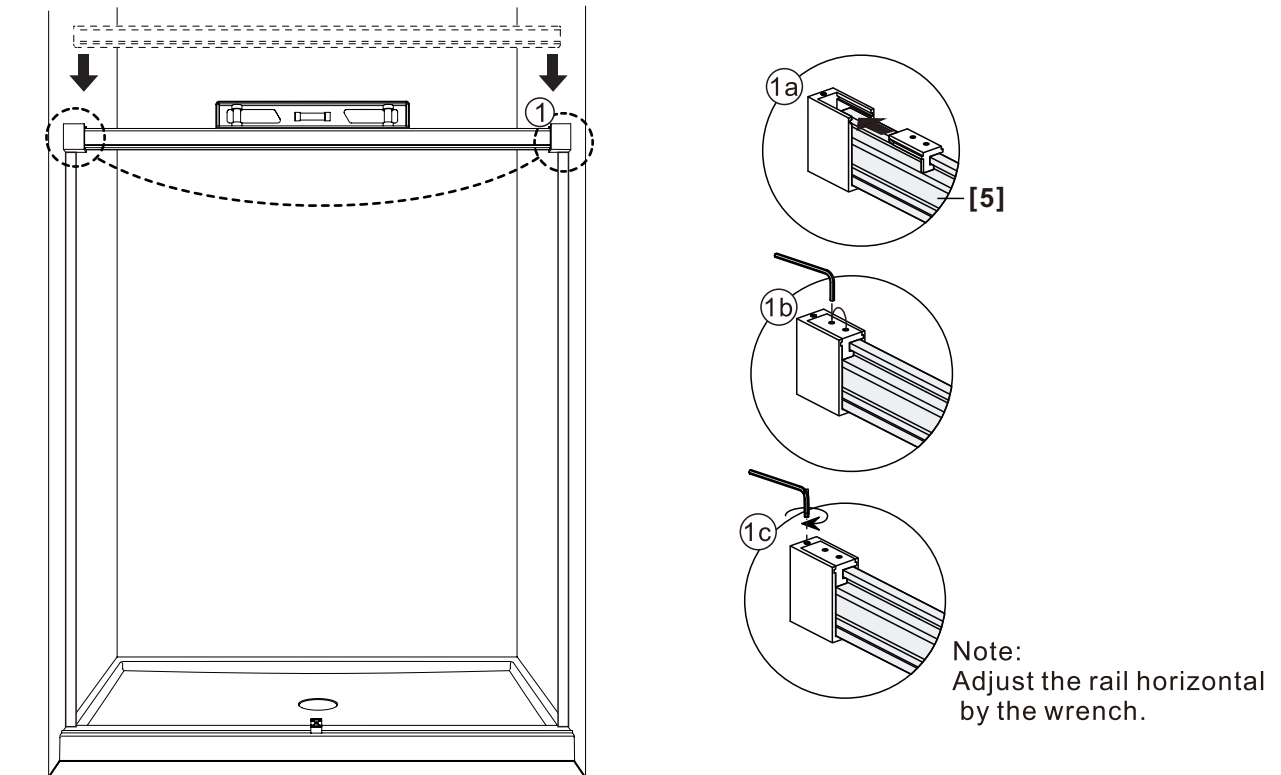




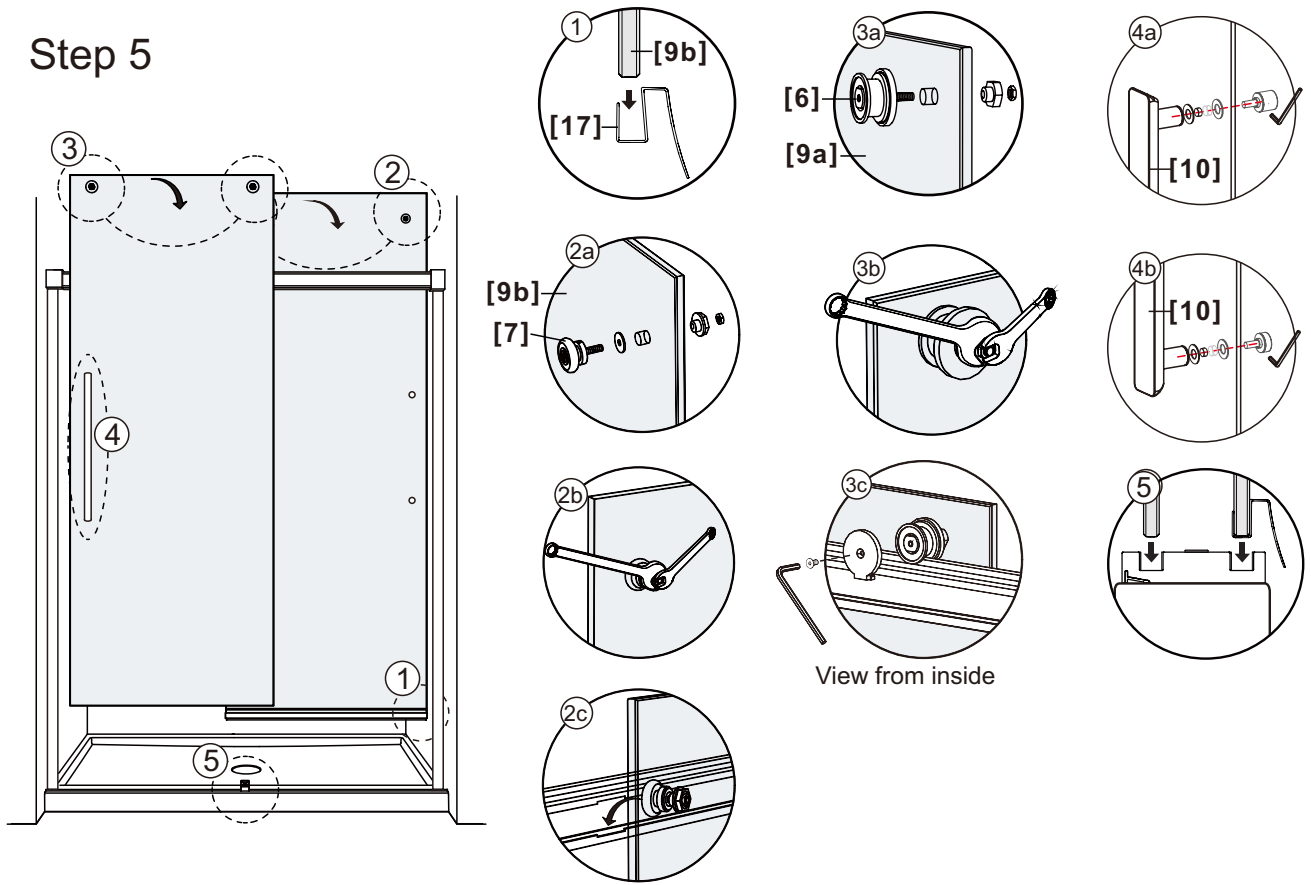
### Step 3



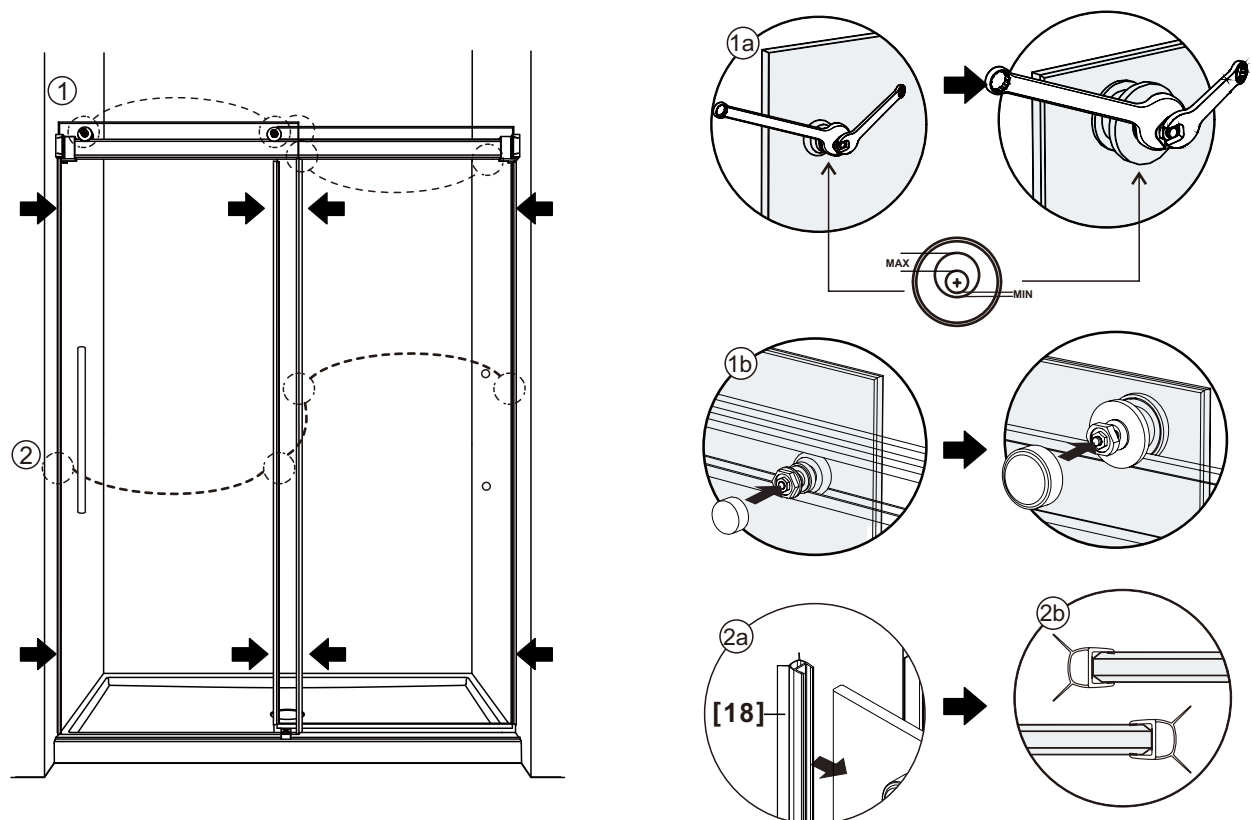
### Step 4



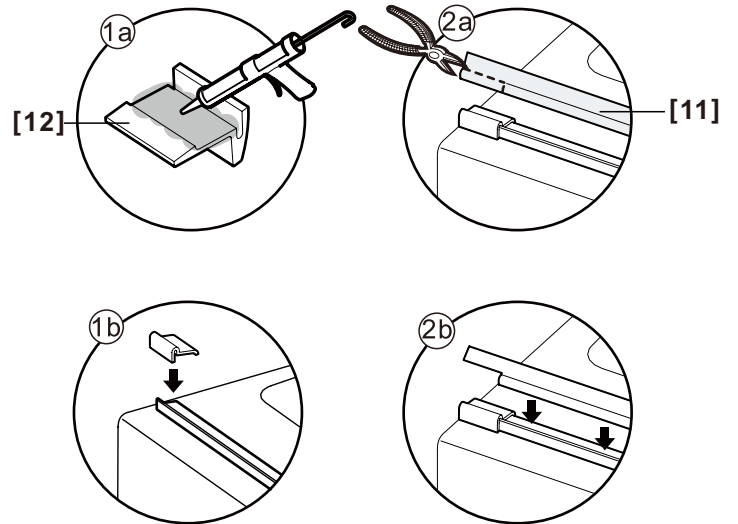
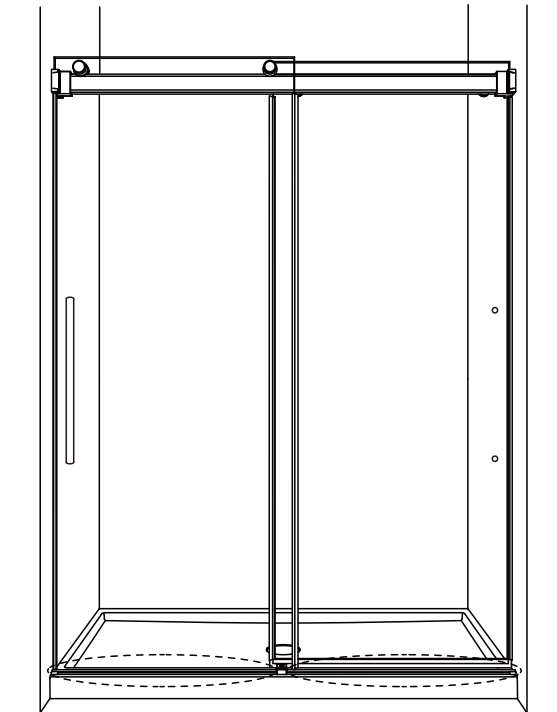
## Step 5



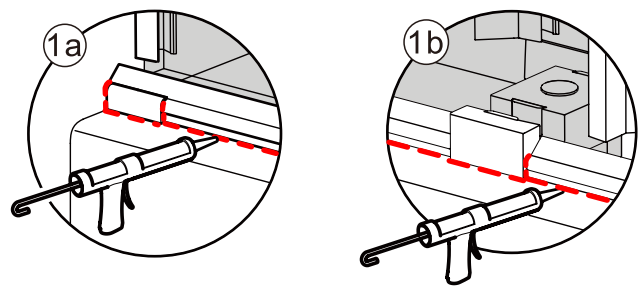
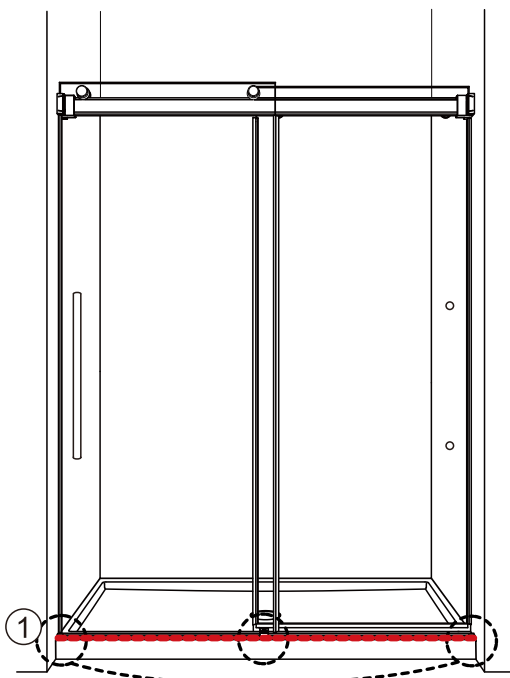
## Step 6



## Step 7



## Step 8



Allow 24 hours for silicone to dry before use.