


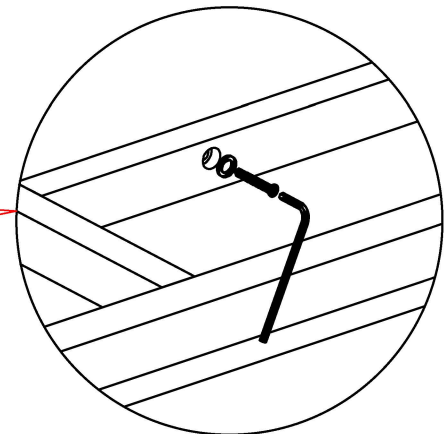
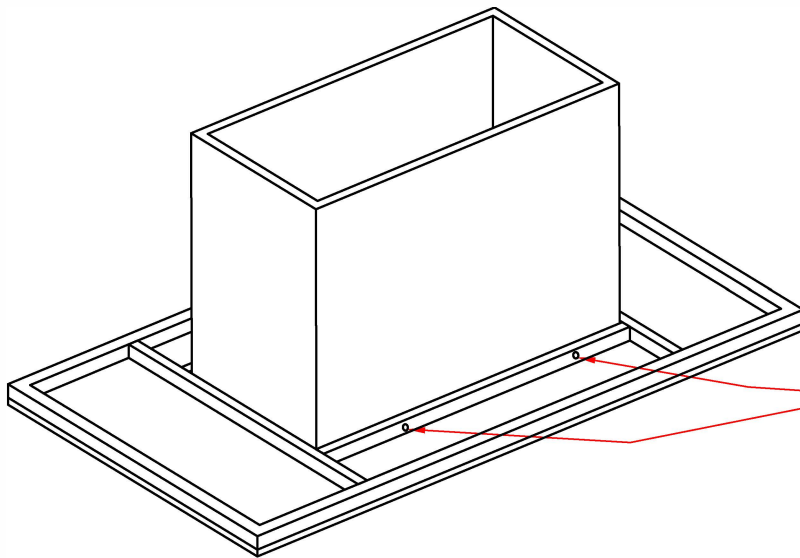
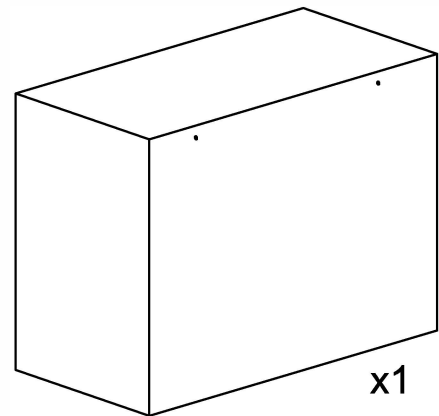
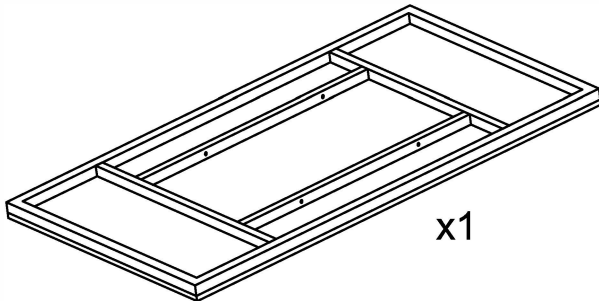


ASSEMBLY INSTRUCTIONS

No.	Hardware	Q.ty
①	Bolts M8x45 	04
②	M8x12 	04
③	Key K4 	01



Do the same for the rest ones

