
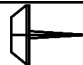
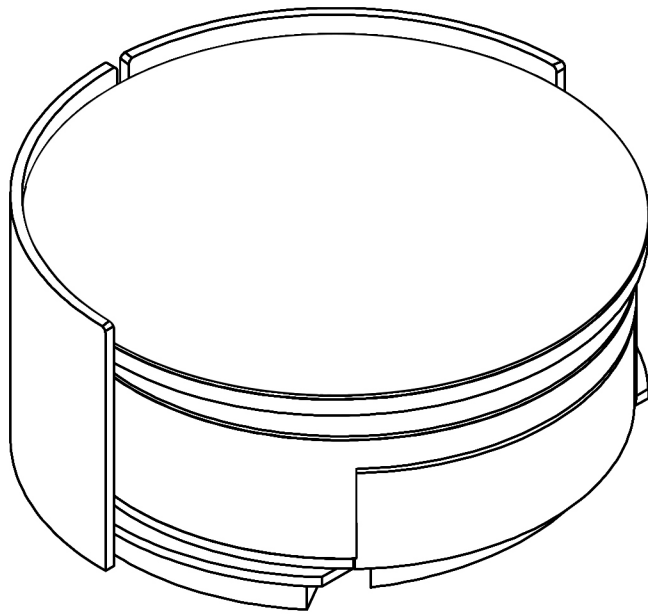
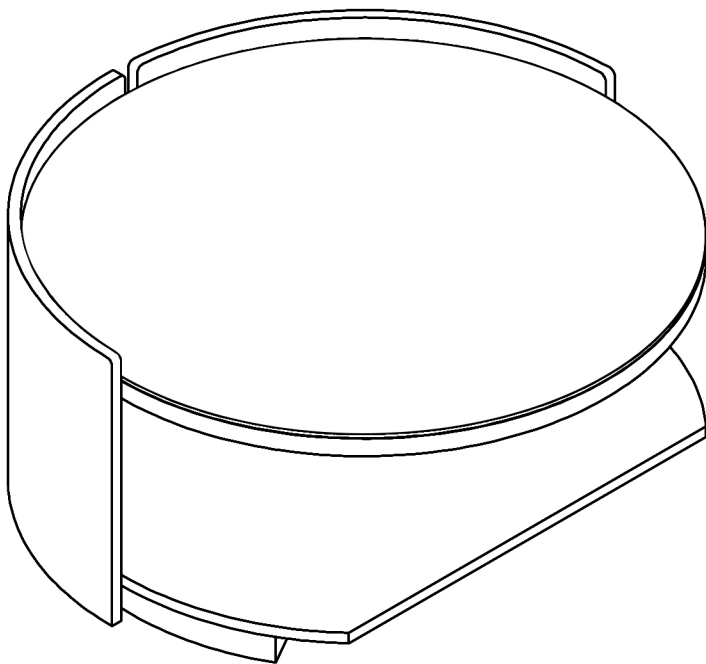


NO.	Parts	Quantity
A		Φ5x55=2
B		6

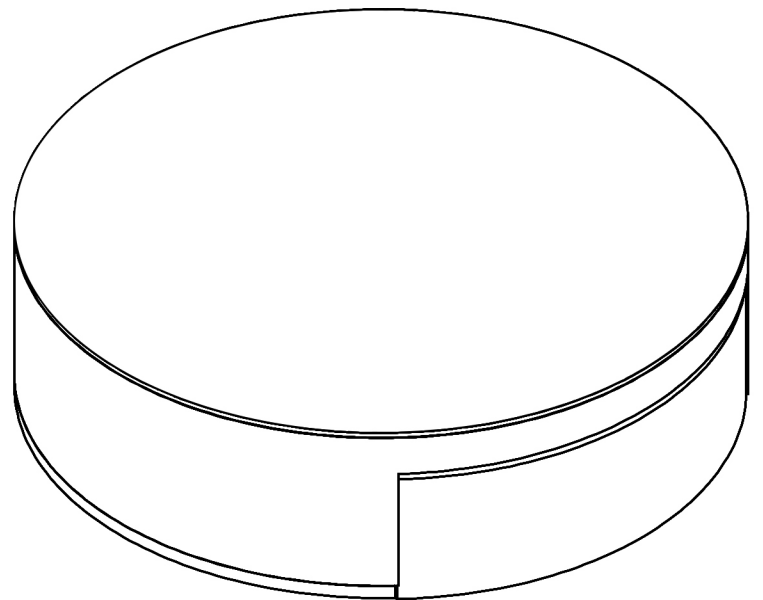


STORAGE CABINET COMPONENTS

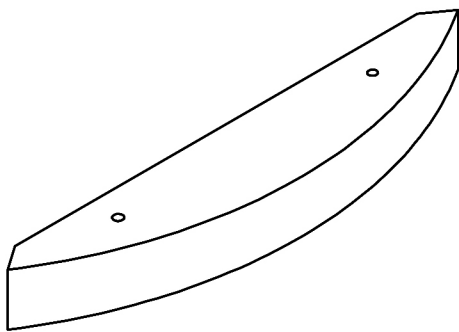
1 main cabinet x1



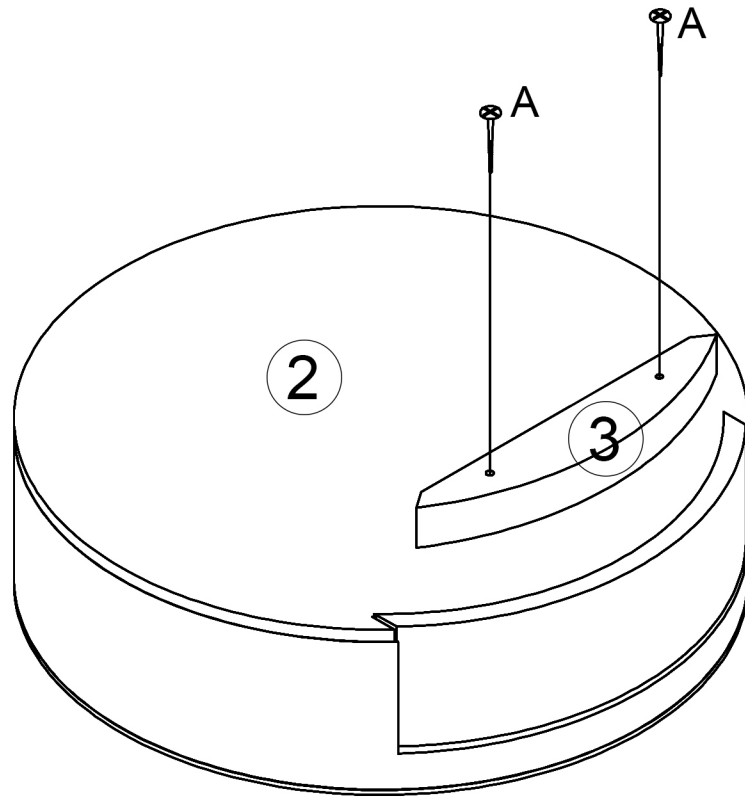
2 secondary cabinet x1



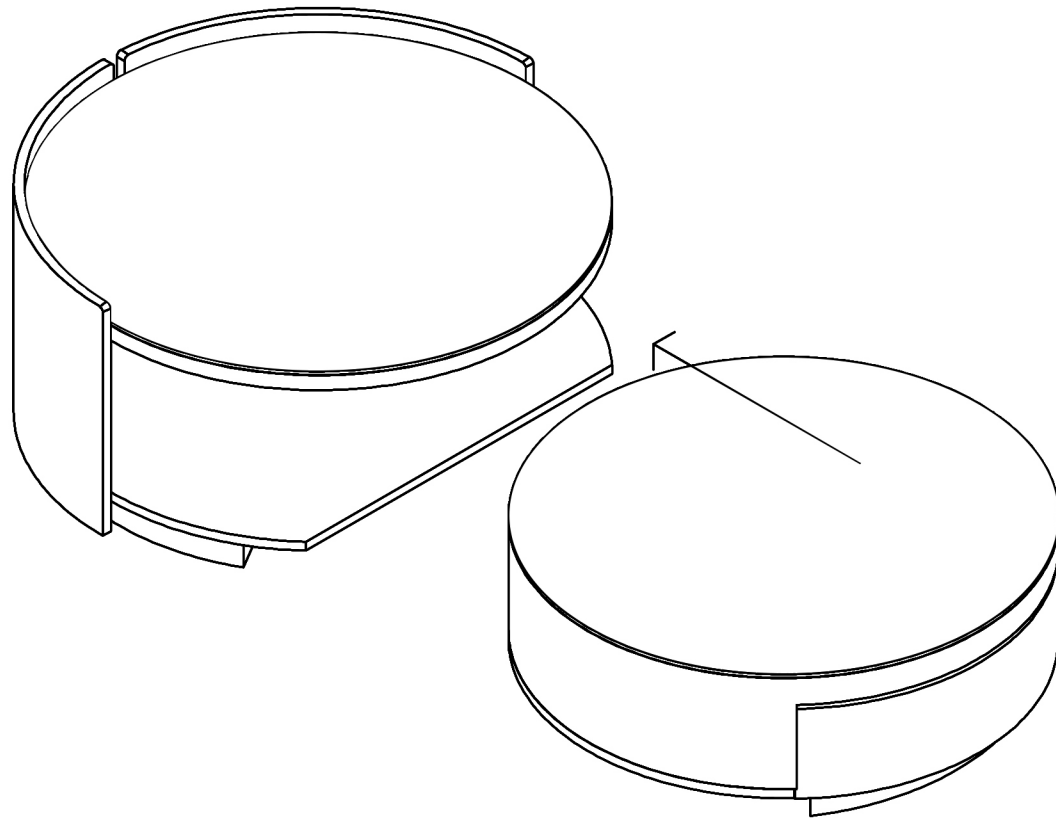
3 supporting foot x1



MOUNTING STAND



PUSH INTO SECONDARY CABINET



INSTALLATION COMPLETED

