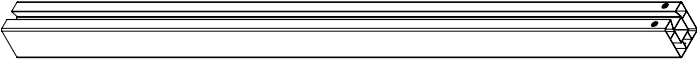
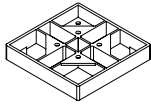

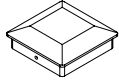




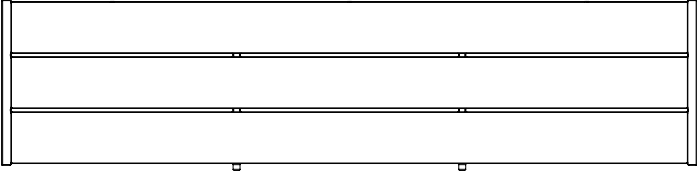
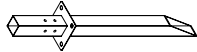




Enjoy Cozy Life!

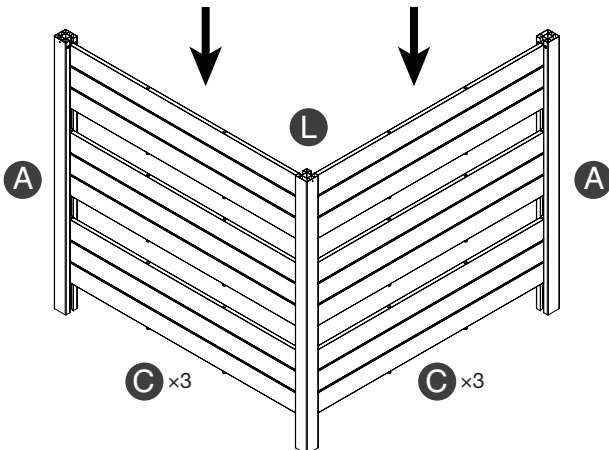
# PRIVACY SCREEN FENCE PANEL (L11) ASSEMBLY MANUAL

## ASSEMBLY PARTS

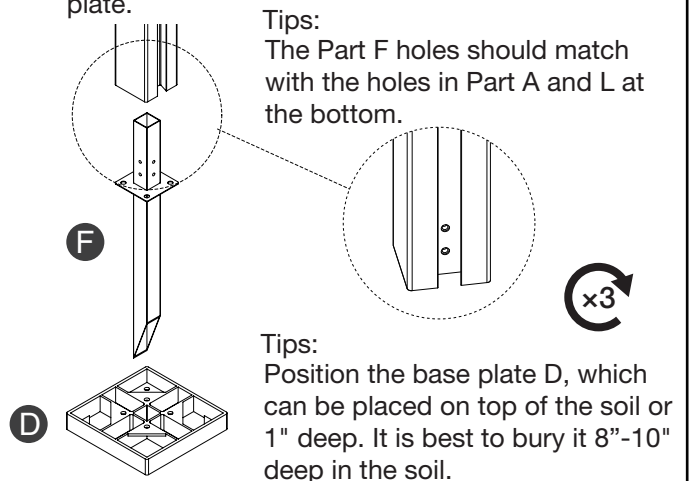
<p><b>A</b></p>  <p>Pole A x 2</p>	<p><b>D</b></p>  <p>Base Plate x 3</p>
<p><b>L</b></p>  <p>pole L x 1</p>	<p><b>E</b></p>  <p>Cover x 3</p>
<p><b>B</b></p>  <p>Edge Banding x 2</p>	<p><b>#1</b>  <b>M5x10</b> (16+2)</p> <p><b>#7</b>  <b>M3x10</b> (3+1)</p> 
<p><b>C</b></p>  <p>Panel (L 47 1/4 " x H 11 1/4 ") x 8</p>	<p><b>F</b></p>  <p>Ground Stake x 3</p> <p>Tips: for Step 2 To hammer the Ground Stake into the ground without damaging it, place a flat piece of wood on top of the Stake before hammering. This prevents damage that could stop the Stake from fitting into the Poles</p>

## ASSEMBLY INSTRUCTIONS

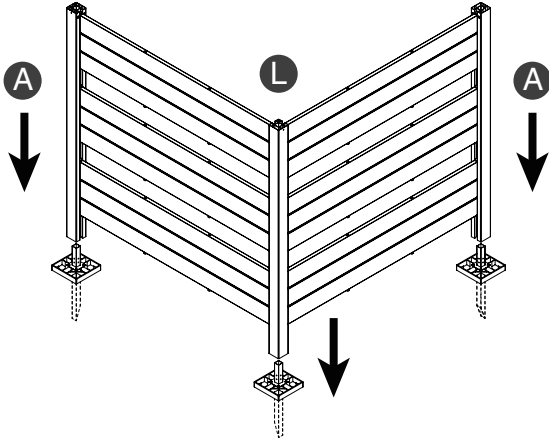
**Step1 :** Pre-assemble three pieces of Panels to the Poles (Part A, L, A), place them in the installation position to determine the location of the Poles.



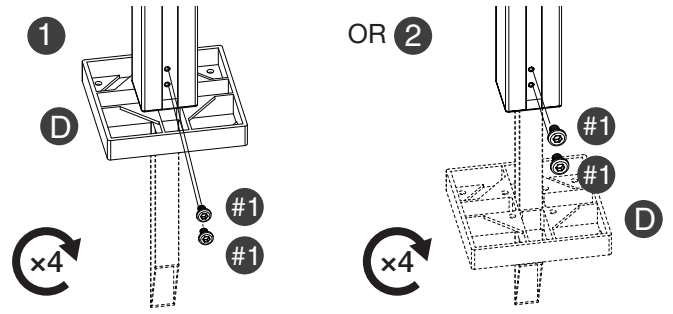
**Step2 :** According to the Pole position to place the Base Plate (Part D), insert Ground Stake into the ground through the square hole in the center of the base plate.



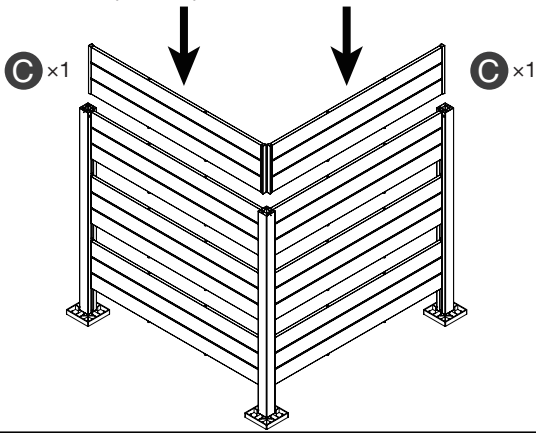
**Step3 :** Fit the pre-assembled (in Step1) into the Ground Stakes.



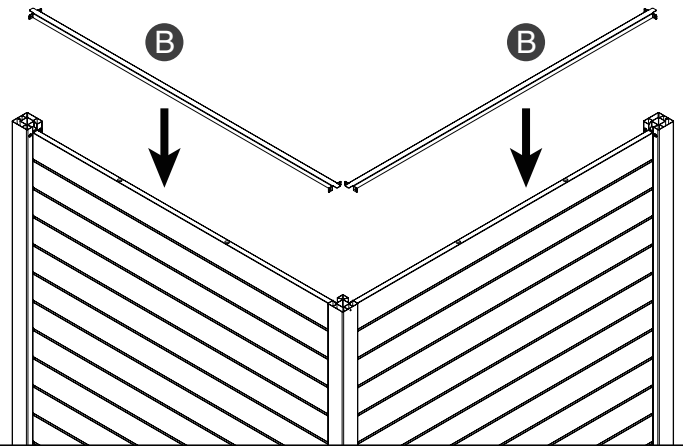
**Step4 :** Use Screw #1 to secure the Poles to the Ground Stake. (Refer to Figure 1 if you wish to place the Base Plate D on the ground. For instructions on embedding the Base Plate F 8" to 10" into the ground, see Figure 2.); Secure the Ground Stake by filling in the soil if you have dug a hole and embedded the Base Plate. Alternatively, you can simply hammer the Ground Stake directly into the ground.



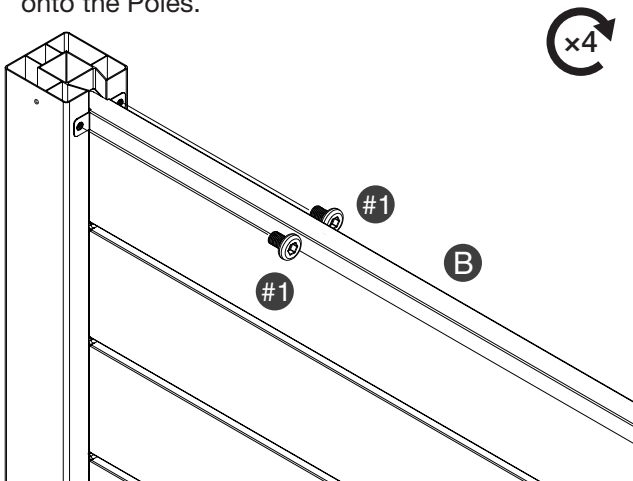
**Step5 :** Push the pre-assembled Panel (Part C) down to the #1 screw slot, and then sequentially install fourth Panel (Part C).



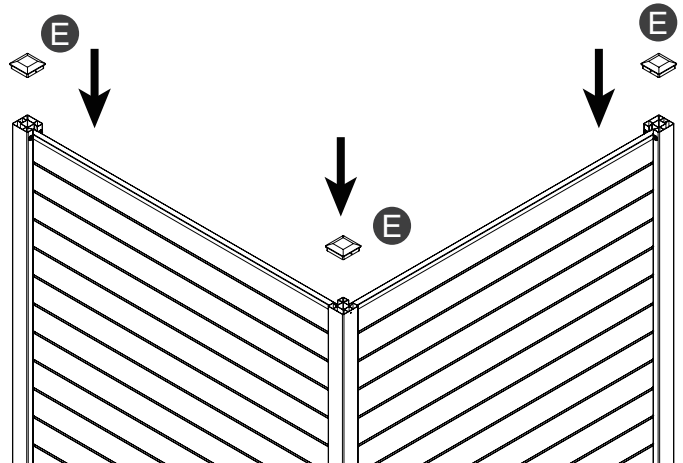
**Step6 :** Insert the Edge Banding (Part B) to fit the Panel.



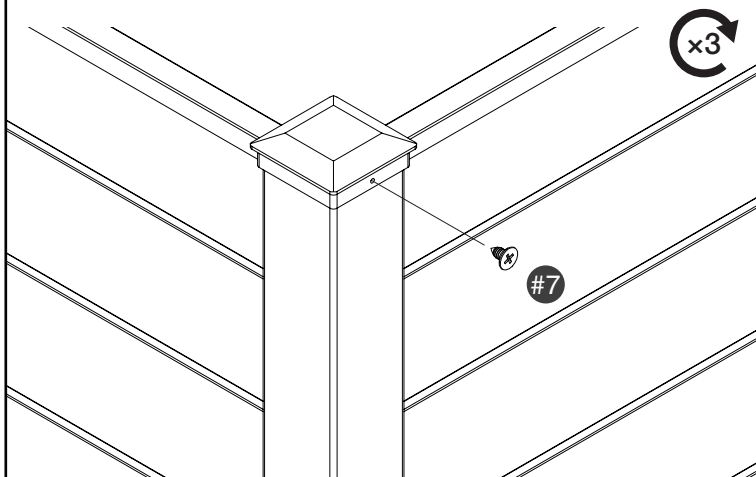
**Step7 :** Using Screw #1 to fix the Edge Banding (Part B) onto the Poles.



**Step8 :** Install the Cover (Part E) onto the Poles (Pay attention to the Part and Pole fitting)



**Step9 :** Use Screw #7 to fix the Cover onto the Poles.



**Step10 :** Complete

