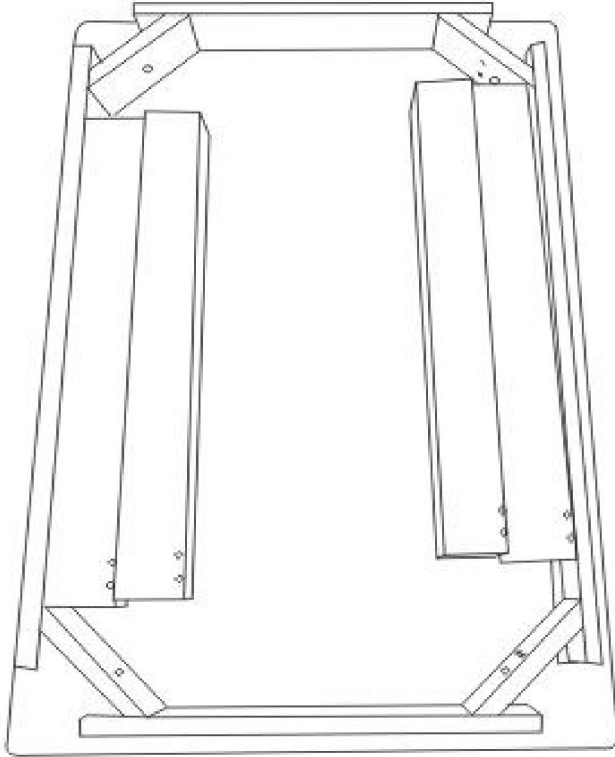
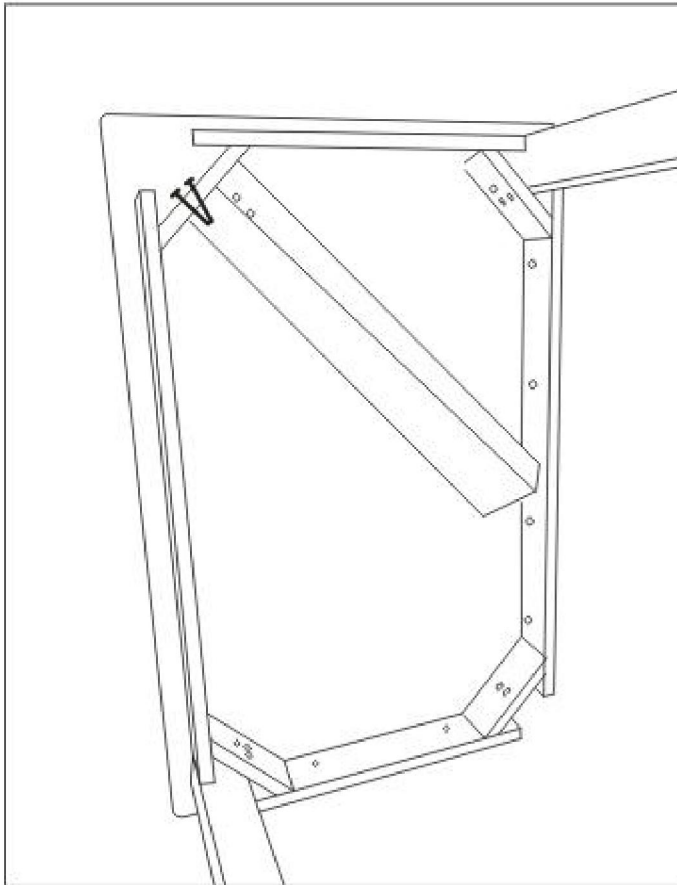


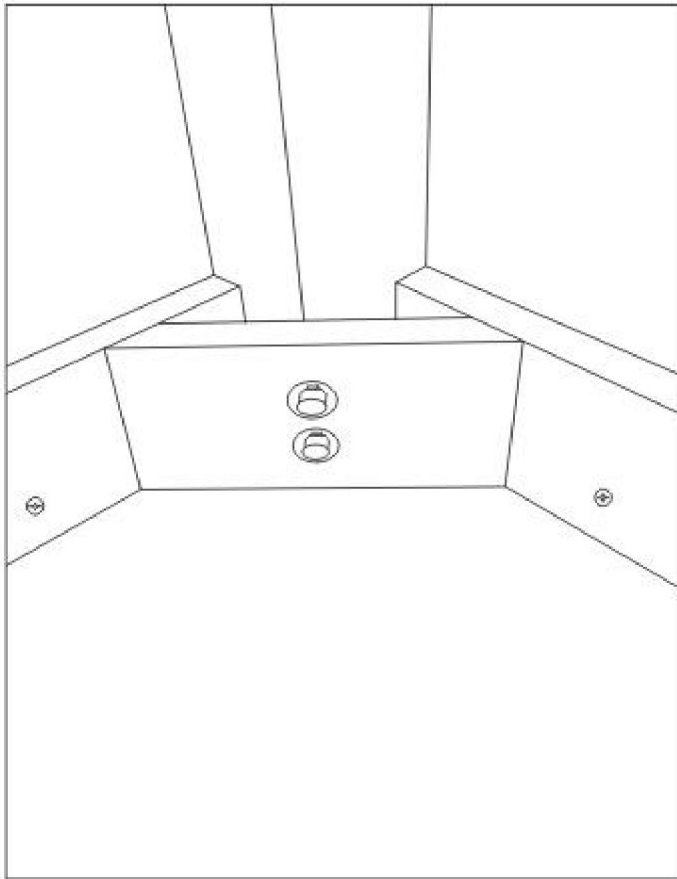
## Assembly Instructions



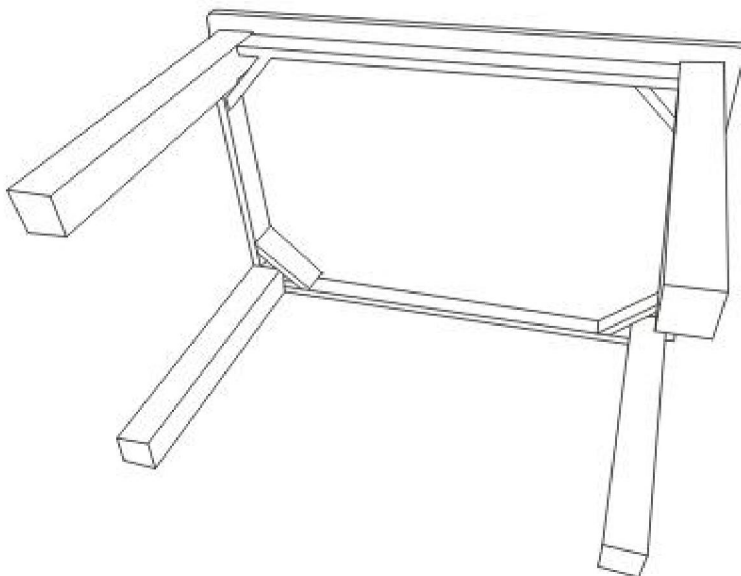
Step1:  
Open the box and take out the  
legs.



Step2:  
Find out the spare parts bag, take  
out the bolts,nuts,washers,wrench



Step3. :  
Use the Wrench to fix the bolts on  
each legs.



Step4. :  
Finish fixing and turn the table around.