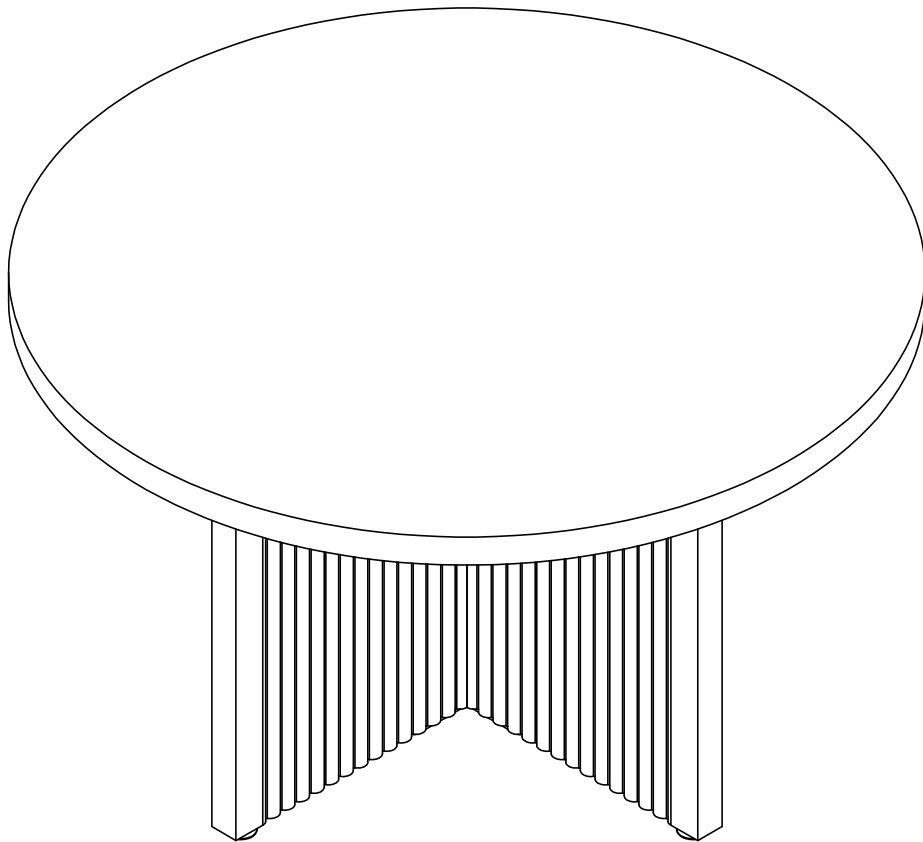


# Installation Instruction



## **Notice Regarding Surface Finish**

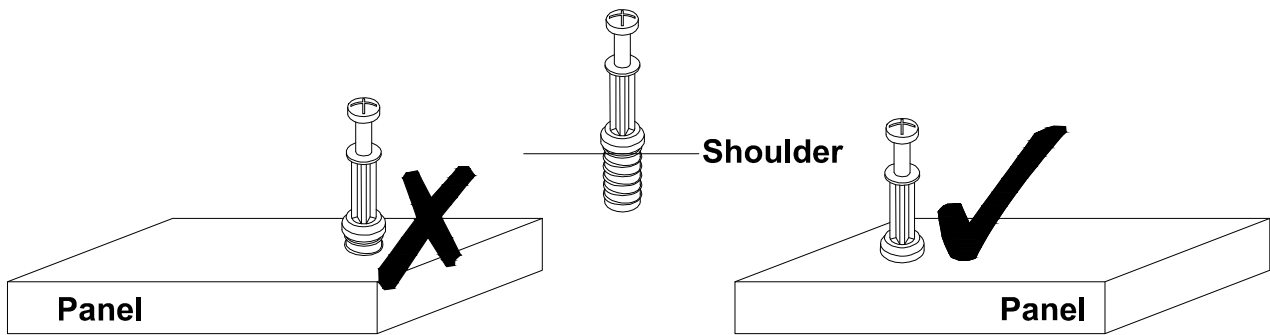
This product is manufactured using MDF (Medium-Density Fiberboard) with a marble-pattern decorative surface. Due to variations in the manufacturing and printing process, the marble grain pattern may differ slightly between individual panels. Therefore, the appearance of the product you receive may not be identical to the images shown. Such variations are normal and do not affect product quality or functionality.

# Before Assembly

## Tips Before Your Start:

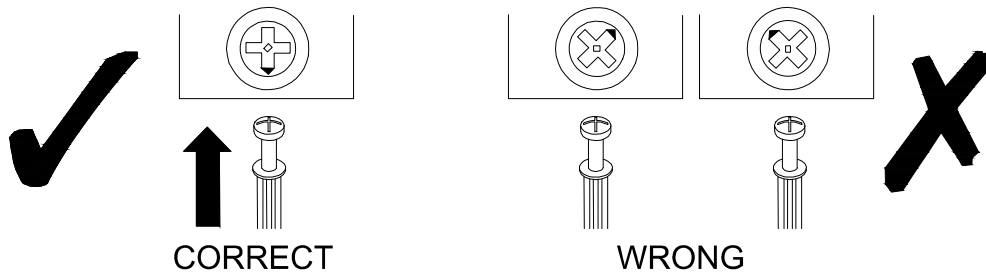
- Remove all wrapping material, including staples & packing straps before you start to assemble.
- DO NOT tighten all screws and bolts until the assembly is completely assembled.
- Keep all hardware parts out of reach of children.

## QUICKFIT



Tighten quickfit until shoulder is flush with panel. Do not overtighten or undertighten.

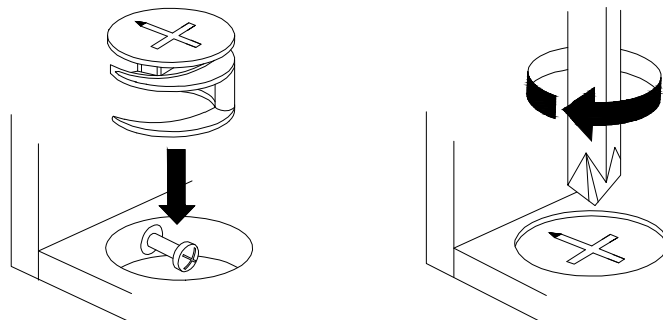
## CAM LOCK



When fitting a cam lock, ensure the starting position is correct before inserting the connecting QUI CKFIT

Quickfit head should be in the centre of the cam lock when the two panels are joined.

Cam lock should be inserted before quickfit.



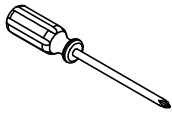
Turn cam lock clockwise to tighten.

# Assembling

---

## What you need

- Use the packaging carton as a working surface to prevent product damage during assembly
- Phillips head screwdriver



---

## Weight Limitation

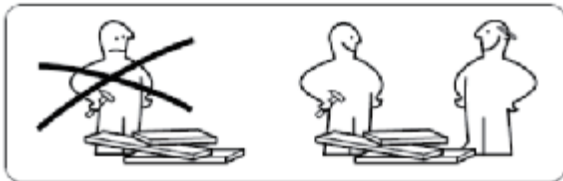


**100**

lbs table top

**| 35**

lbs per



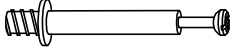
# What' included

---

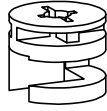
Code Description	Qty
A Cam Bolt M6X35MM	10
B Cam Lock 15X9MM	10
C Wooden Dowel M8X30MM	8
D Screw M6X12MM	6
E Adjustable Leveler	4
F Wrench M4X55MM	1
G Hole position sticker	10

# The Hardwares

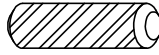
(A)



(B)



(C)



(D)



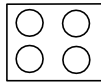
(E)



(F)



(G)



## IMPORTANT:

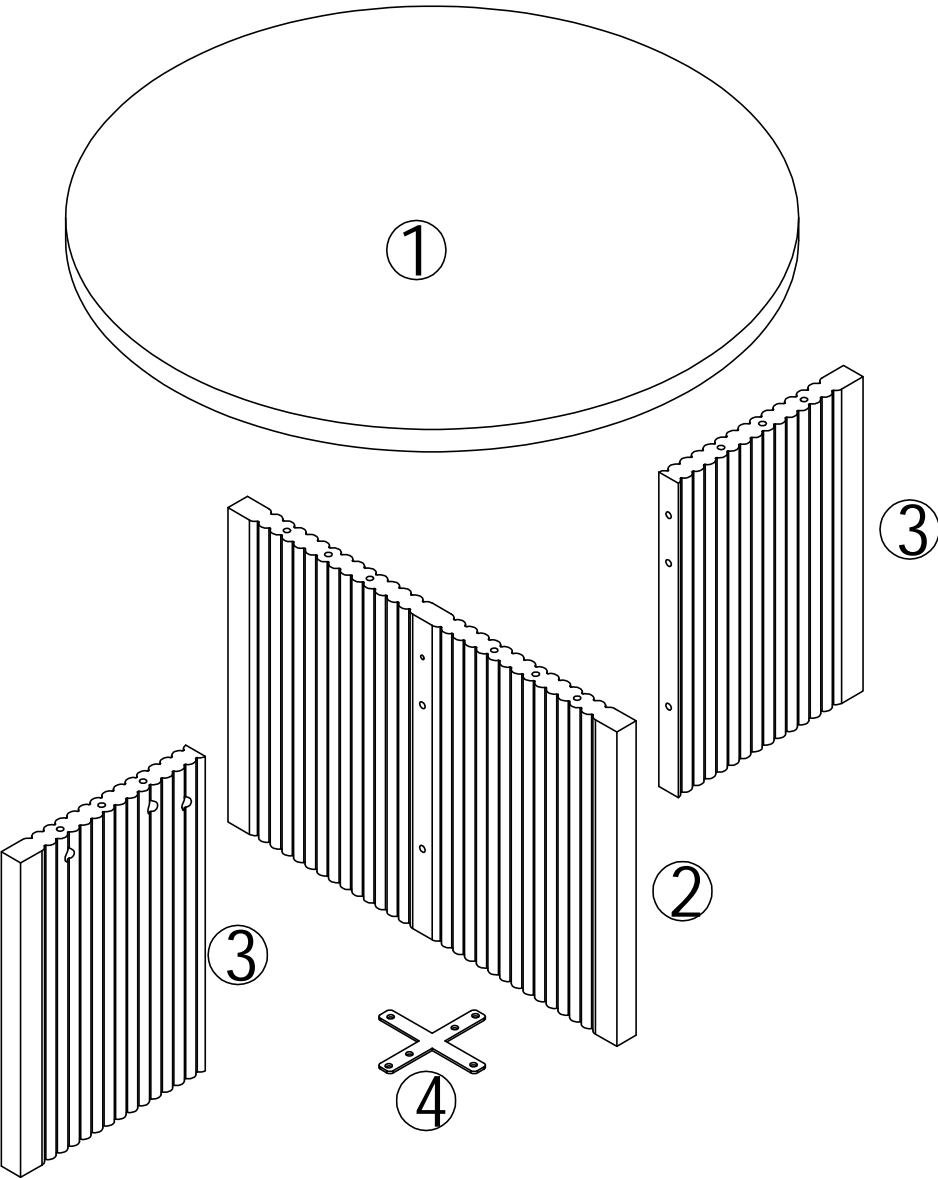
1. Do not tighten bolts / screws completely until all bolts / screws are lined up and inserted into holes.
2. Do not over tighten screws and bolts to avoid stripping

# Included Accessories

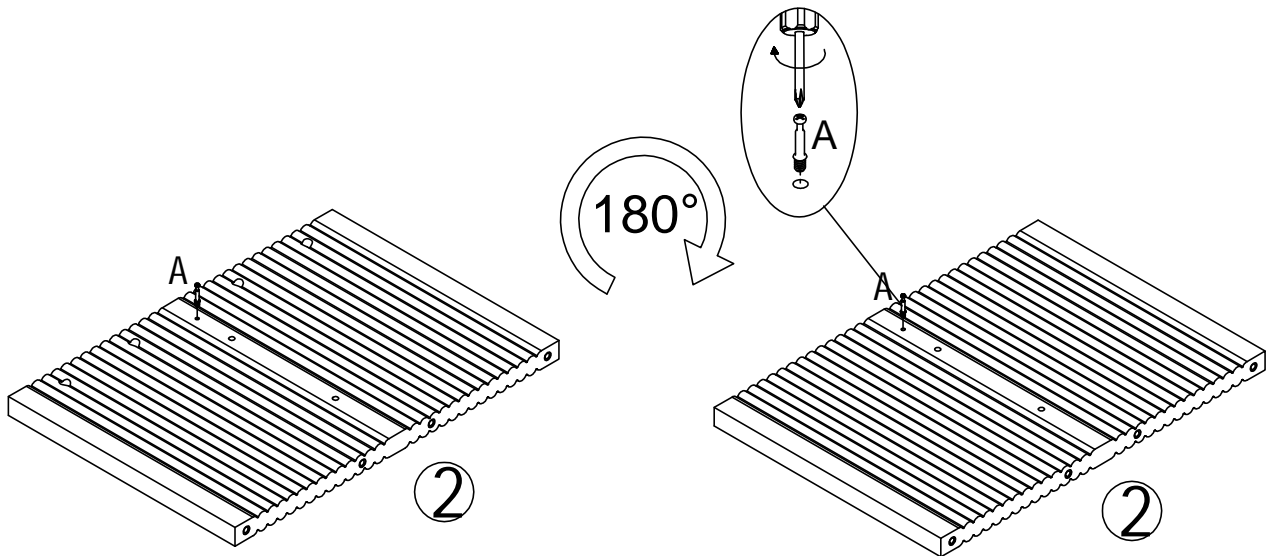
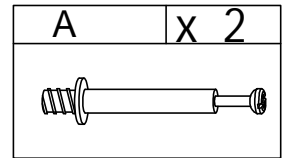
---

Code	Description	Qty
1	Panel	1
2	Large side panel	1
3	Small side panel	2
4	Connecting iron sheet	1

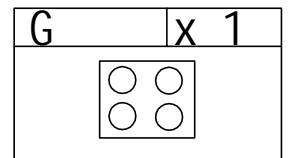
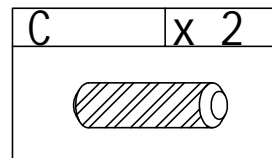
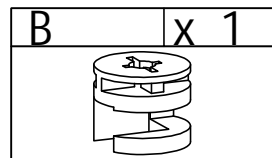
# The Accessories



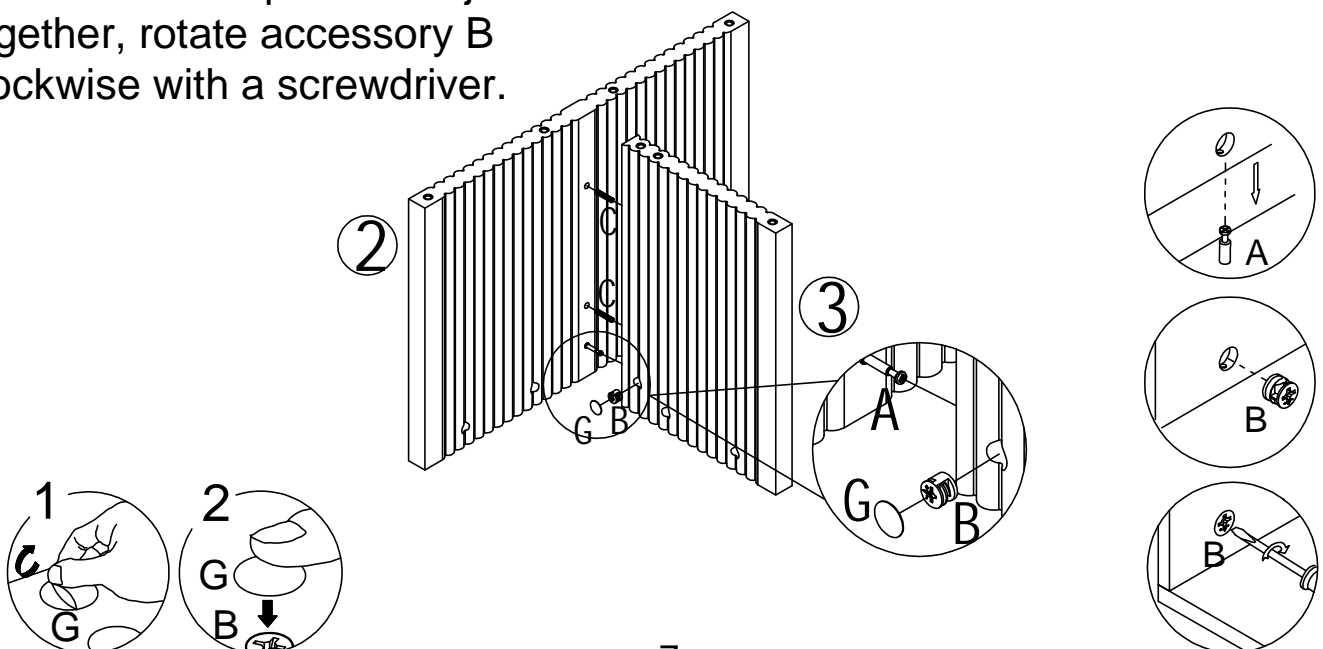
# Step 1



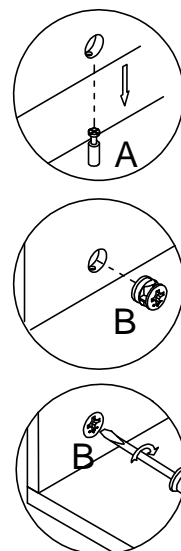
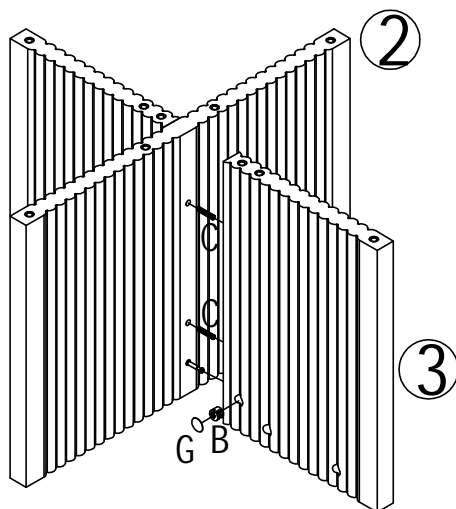
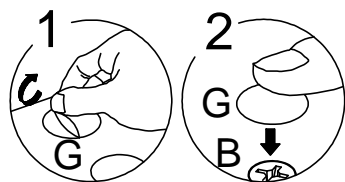
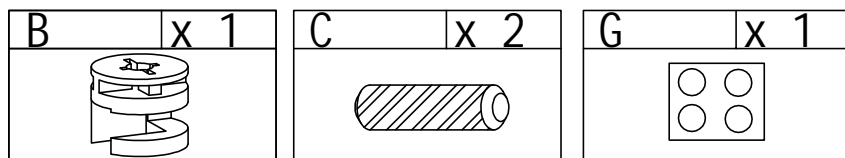
# Step 2



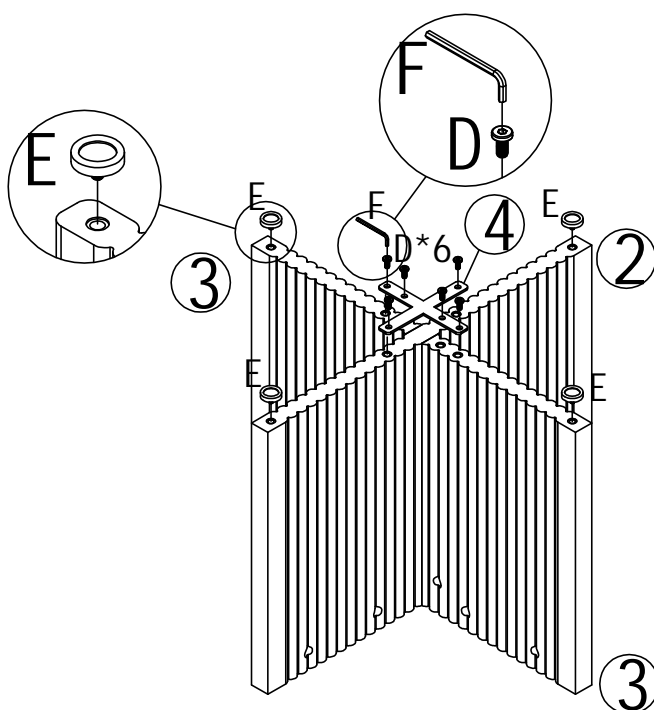
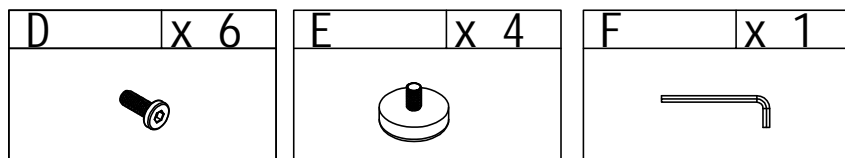
When installing, align the arrow of accessory B with that of accessory A. After the two plates are joined together, rotate accessory B clockwise with a screwdriver.



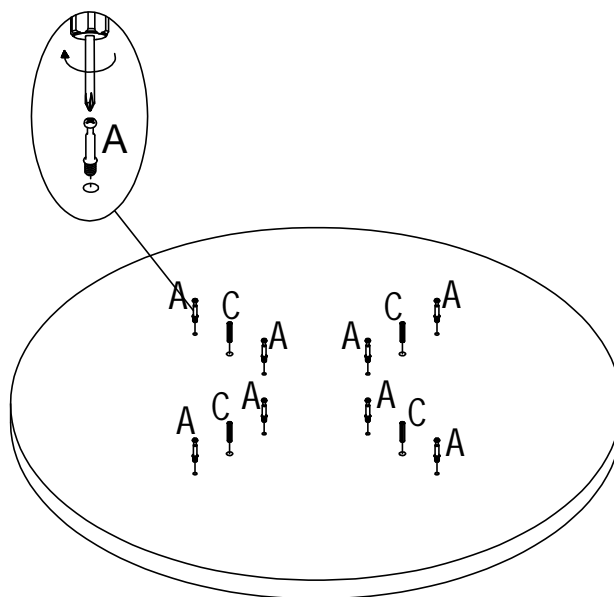
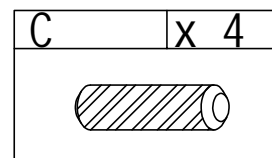
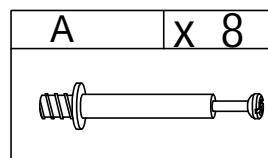
# Step 3



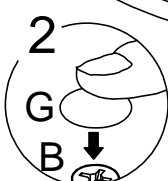
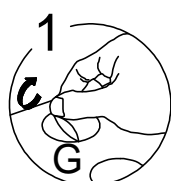
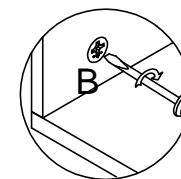
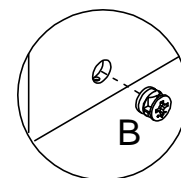
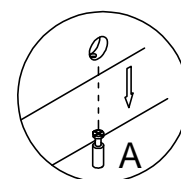
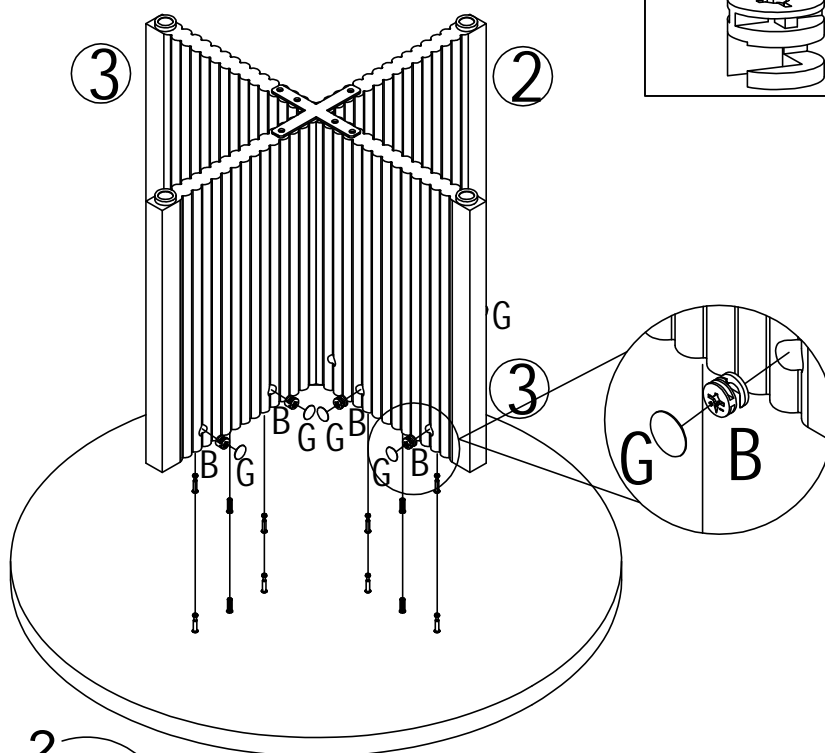
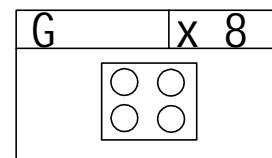
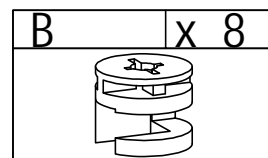
# Step 4



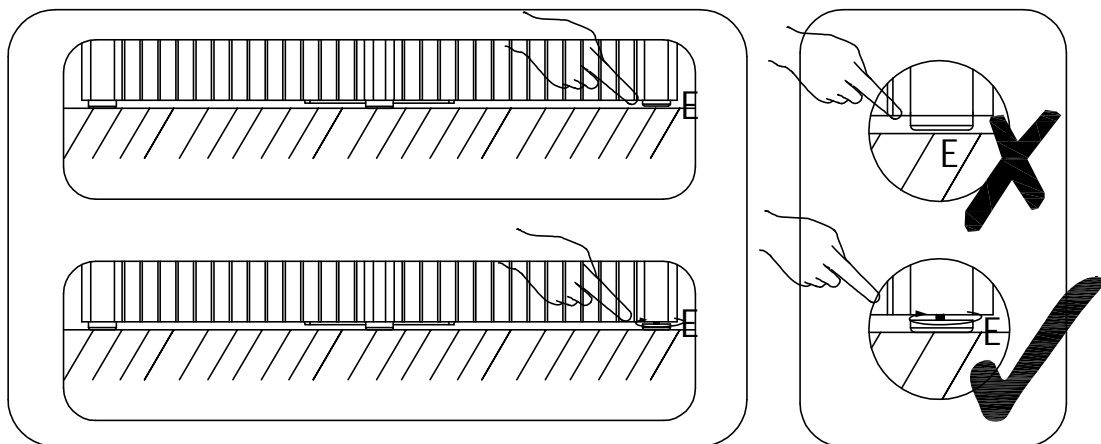
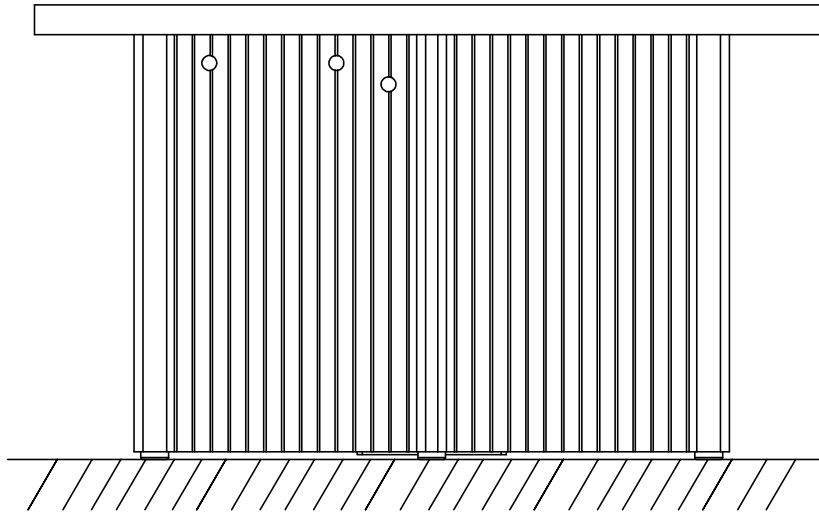
# Step 5



# Step 6



# Step 7



If the product is unstable after installation, you can adjust accessory E to make it stable.