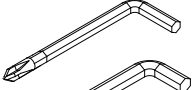
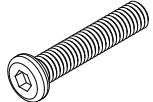
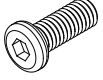
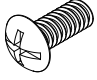
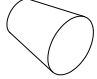

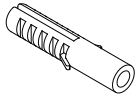
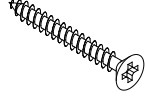
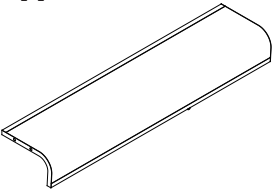
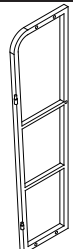
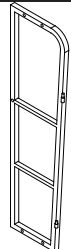
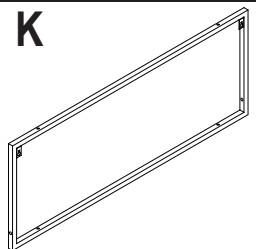
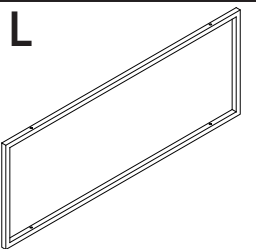
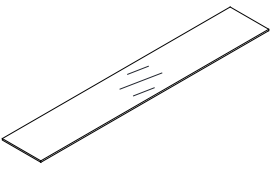
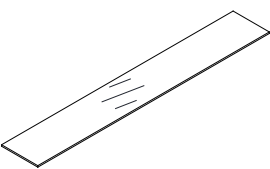
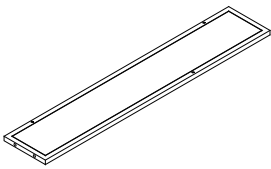

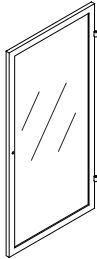
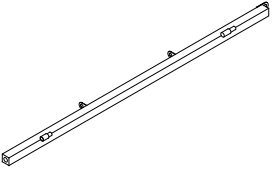


Assembly Instruction

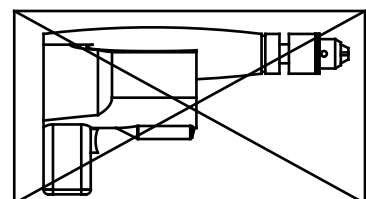
HARDWARE LIST

A1 	B  M6x25mm	C  M6x10mm	D  M4x10mm	E 
A2 	13 PCS	5 PCS	3 PCS	3 PCS
F 	G  Ø4*30mm			
2 PCS	2 PCS			

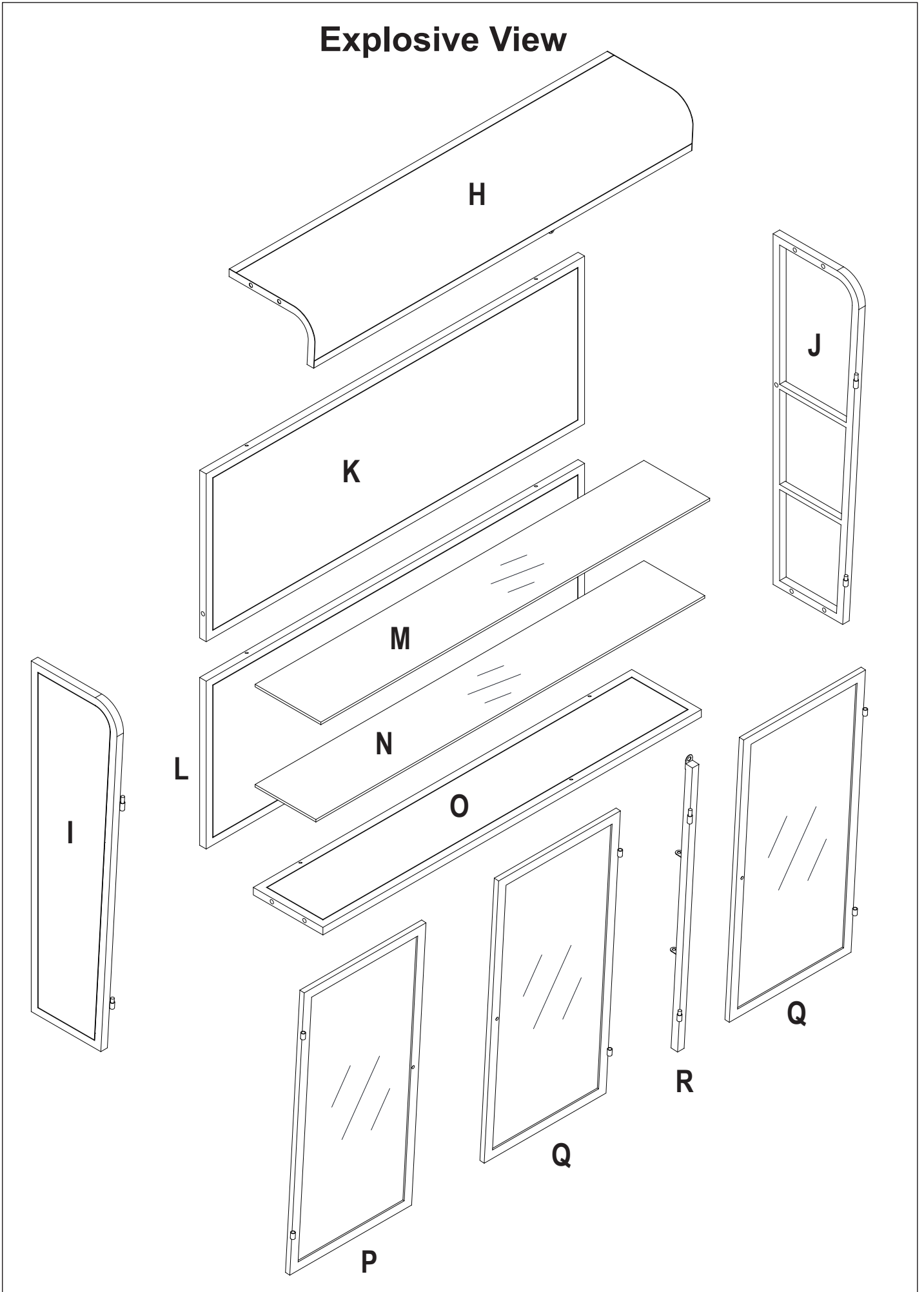
PART LIST

H 	I 	J 	K 	L 
1 PC	1 PC	1 PC	1 PC	1 PC
M 	N 	O 	P 	Q 
1 PC	1 PC	1 PC	1 PC	2 PCS
R 				
1 PC				

- Do not use power tools to assemble your furniture. Power tools may strip or damage the parts.

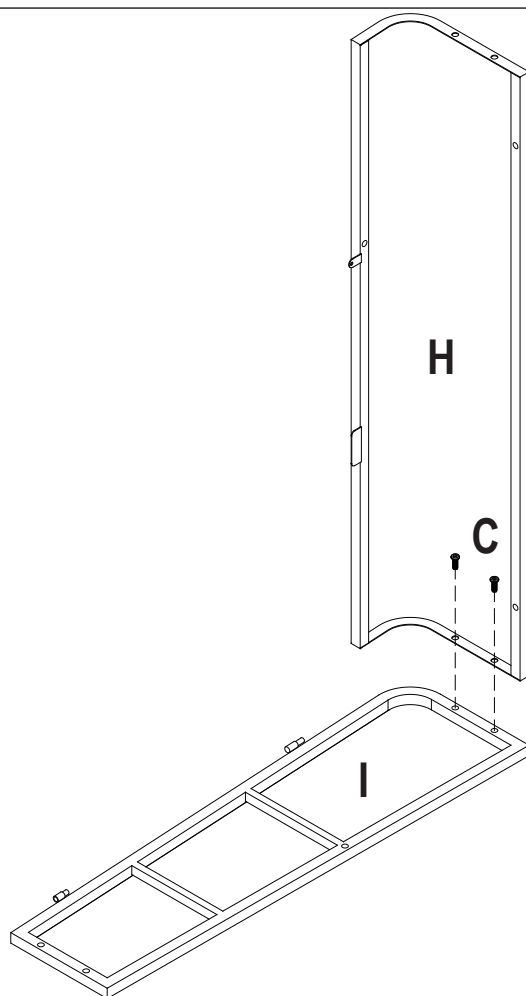
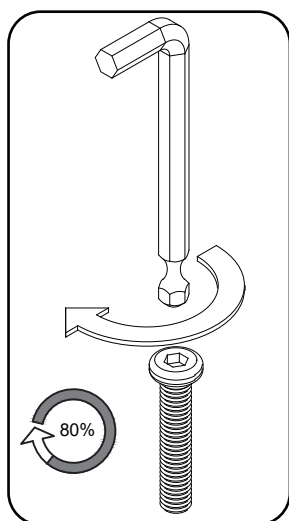


Explosive View



IMPORTANT NOTE: DO NOT tighten all screws and bolts until completely assembled

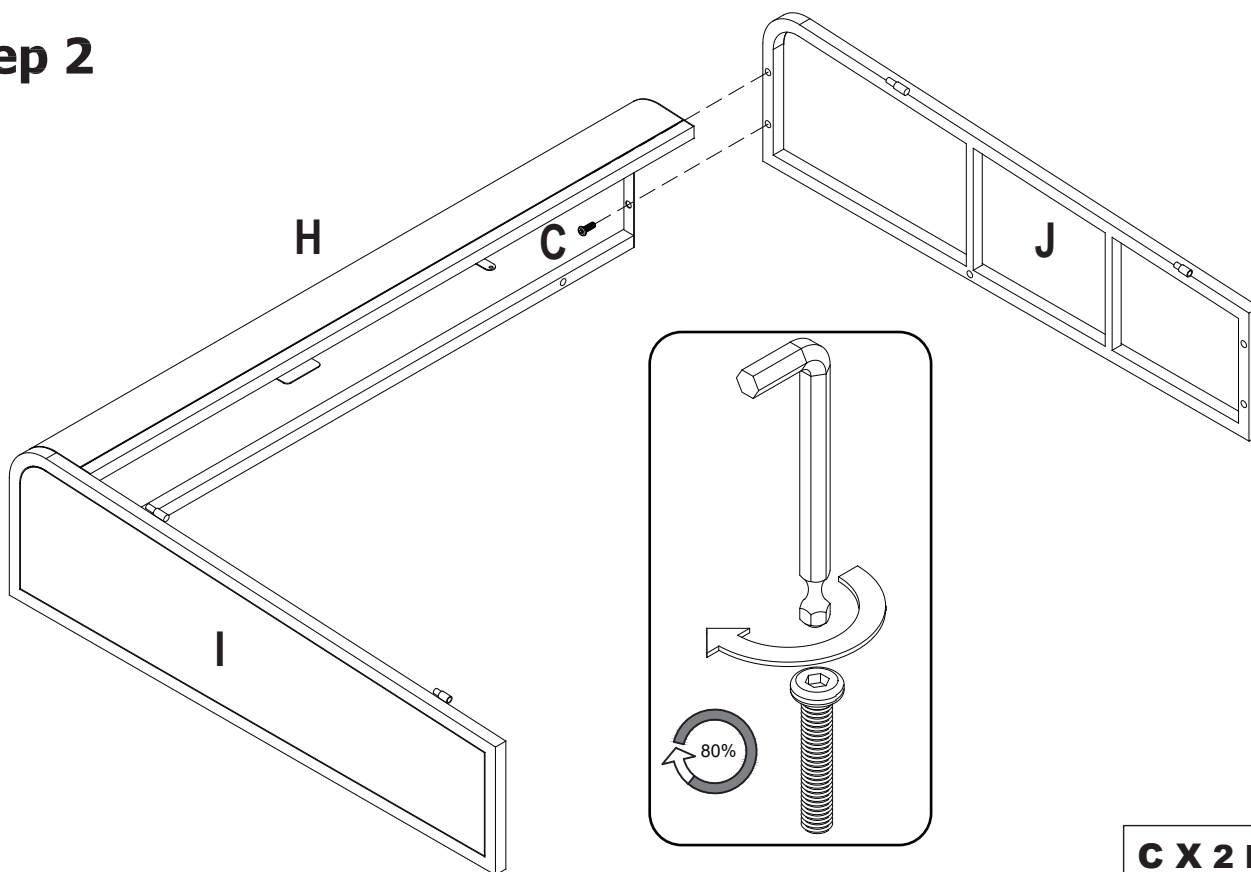
Step 1



C X 2 PCS

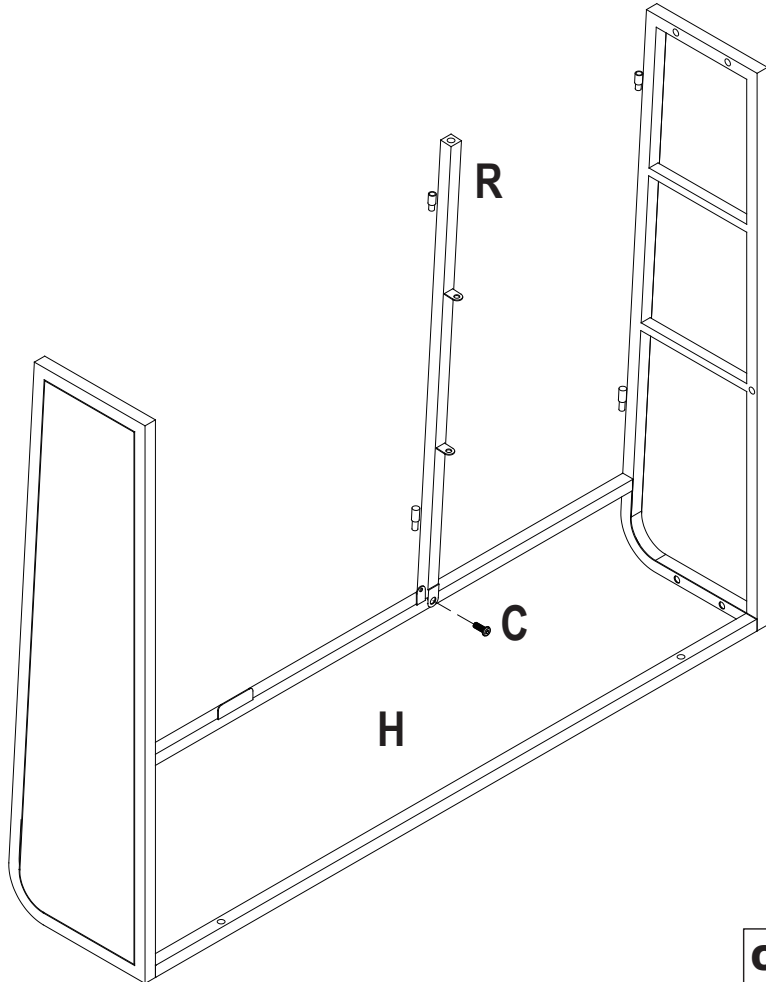
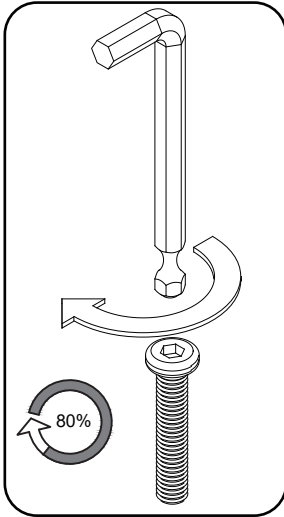
A2 X 1 PC

Step 2



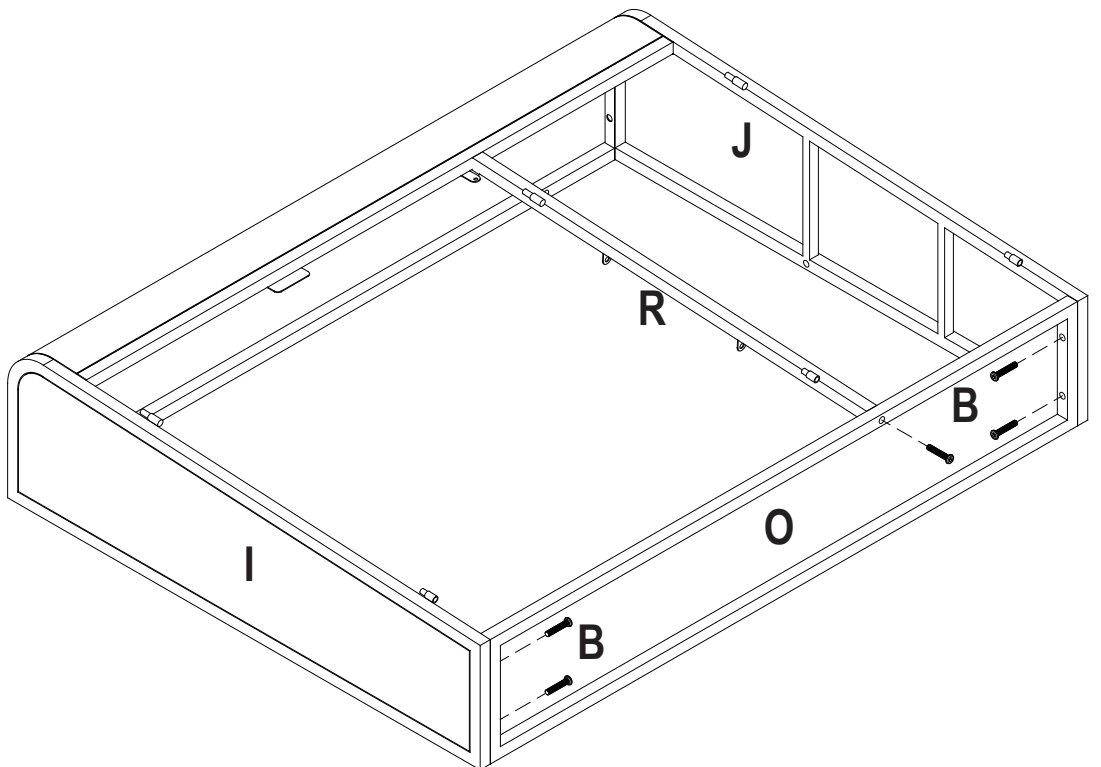
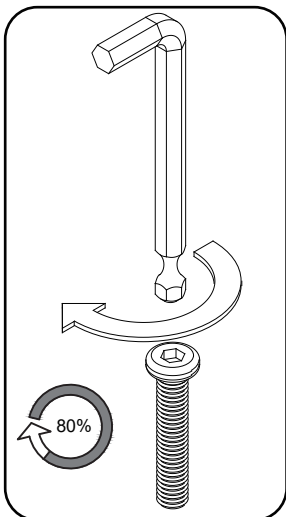
C X 2 PCS

Step 3



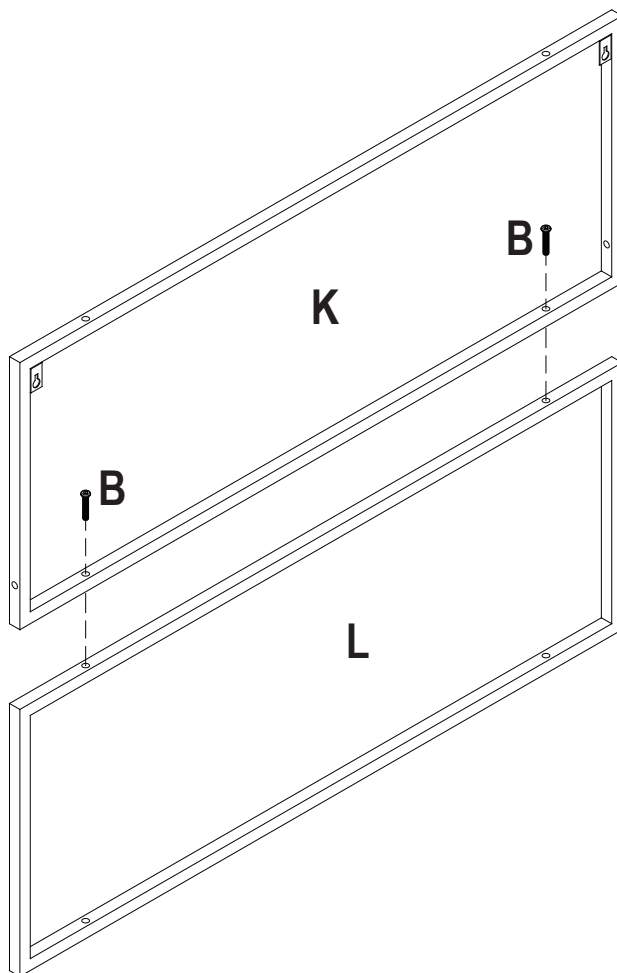
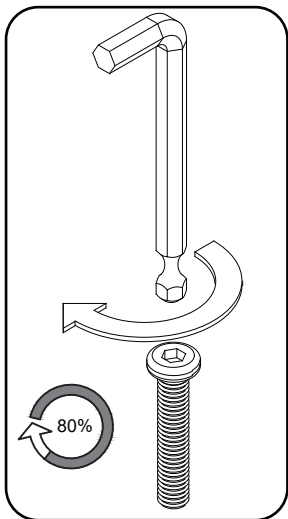
C X1 PC

Step 4



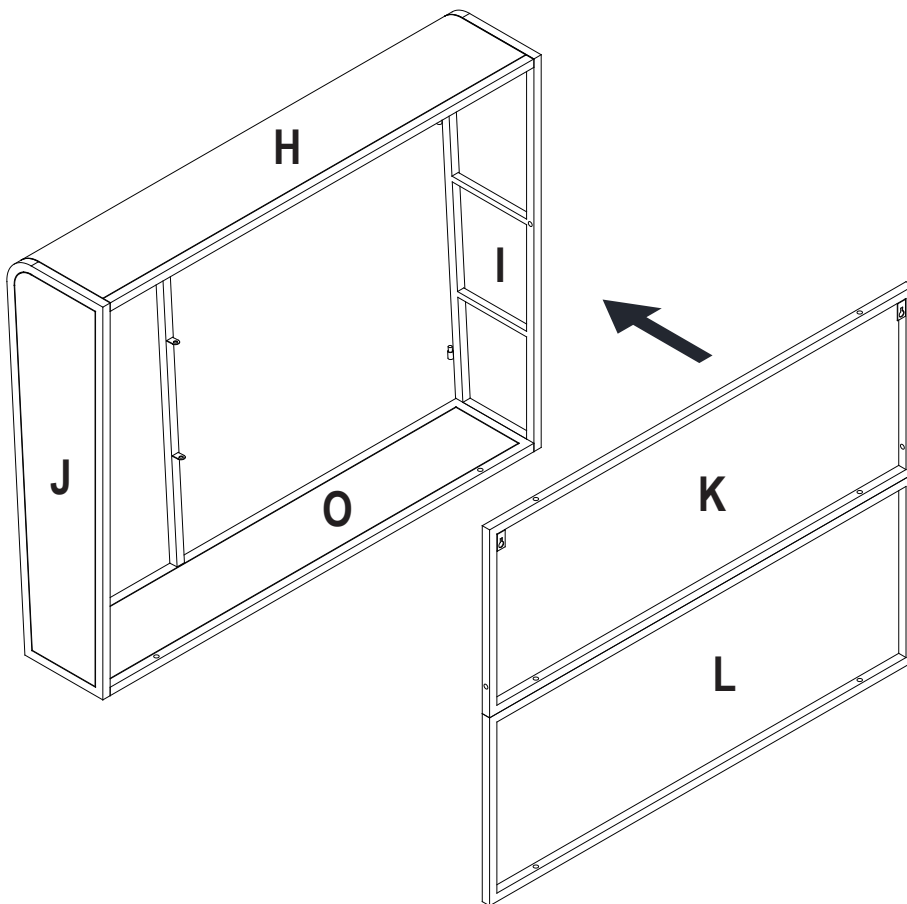
B X5 PCS

Step 5

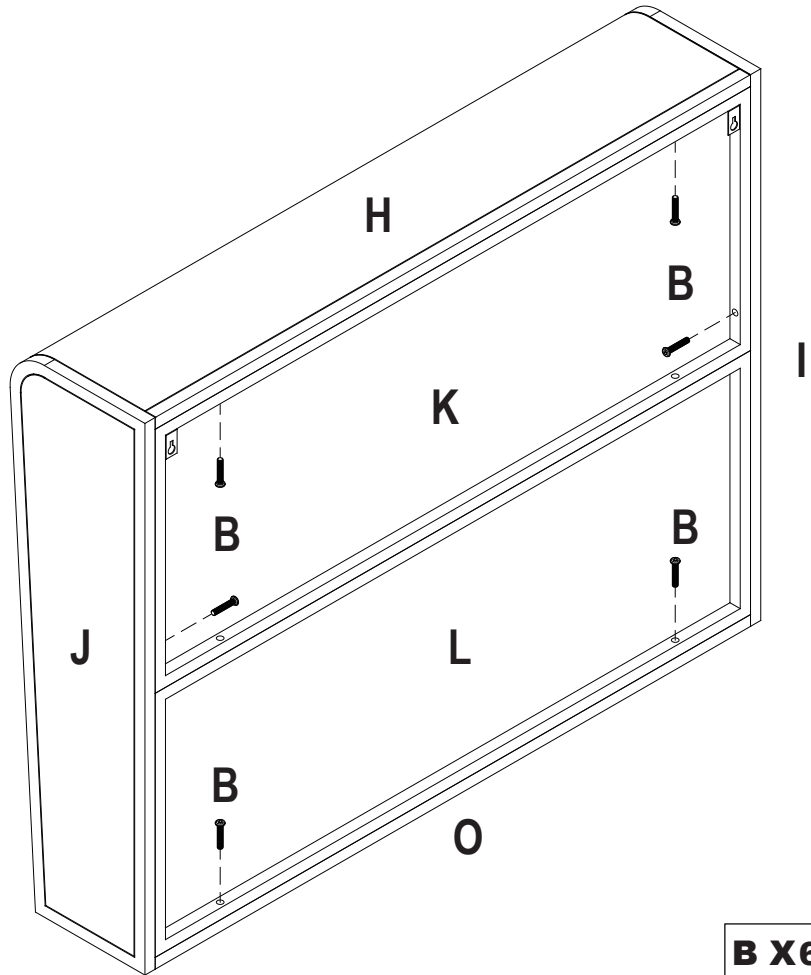
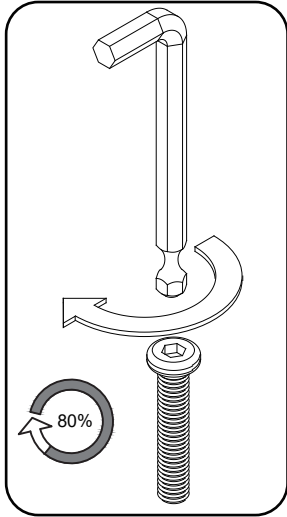


B X2 PCS

Step 6

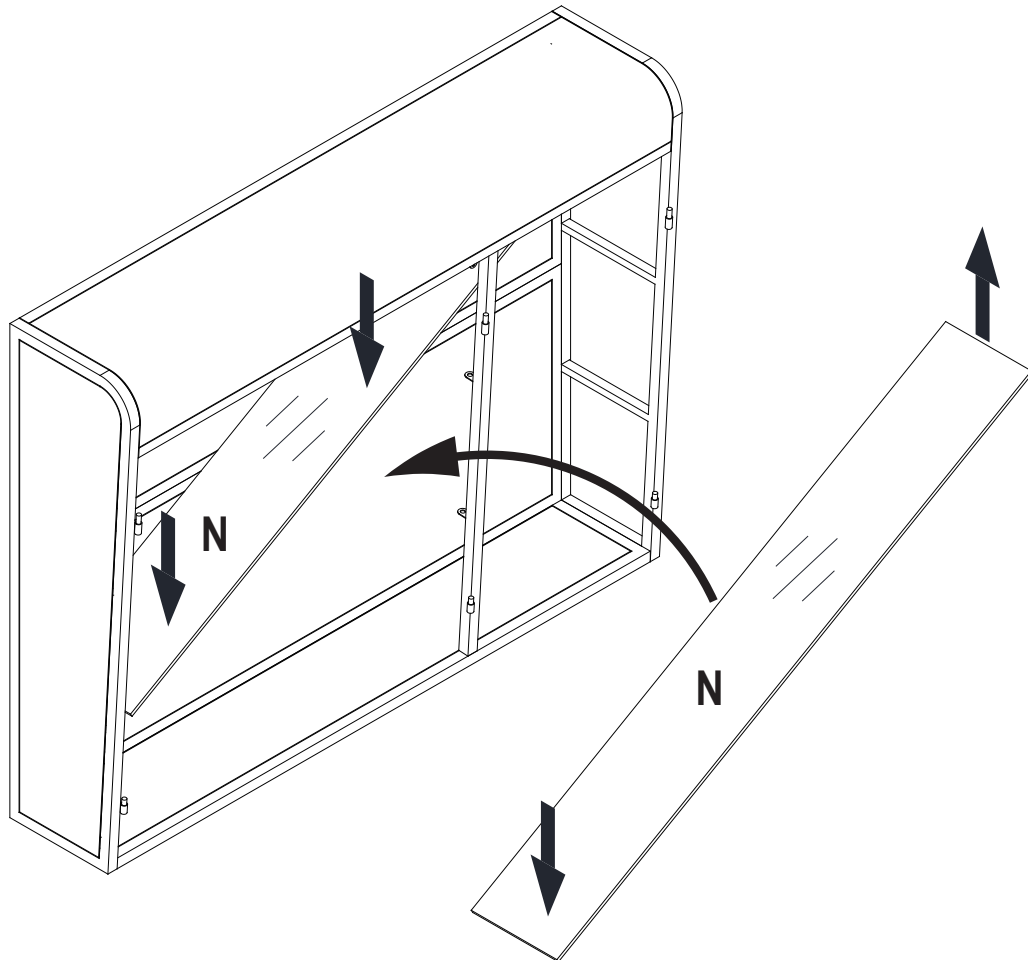


Step 7

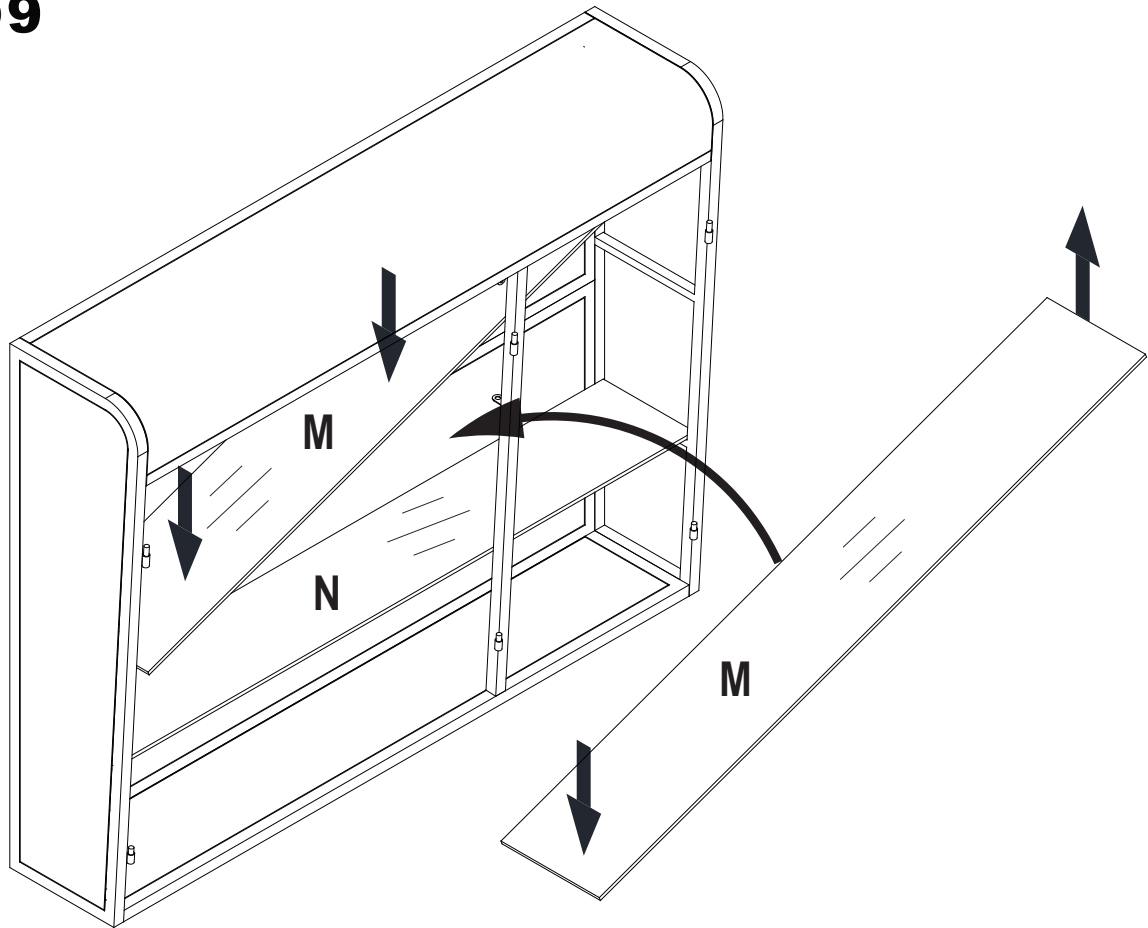


B X6 PCS

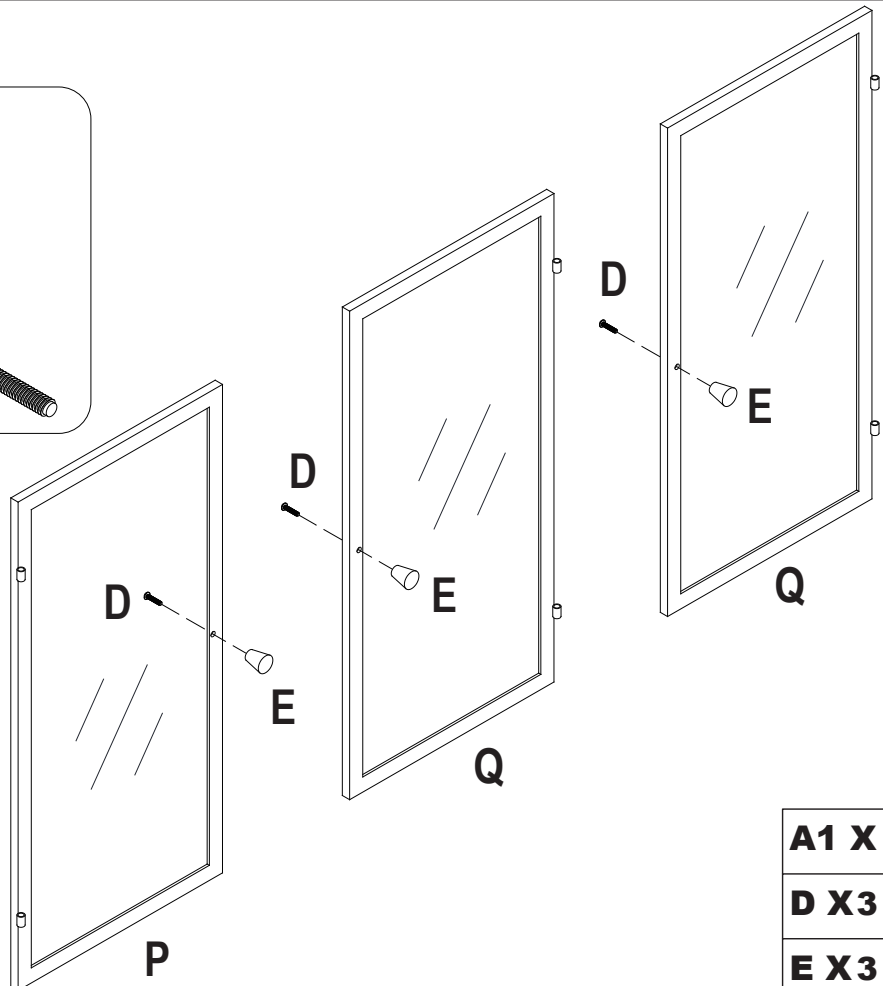
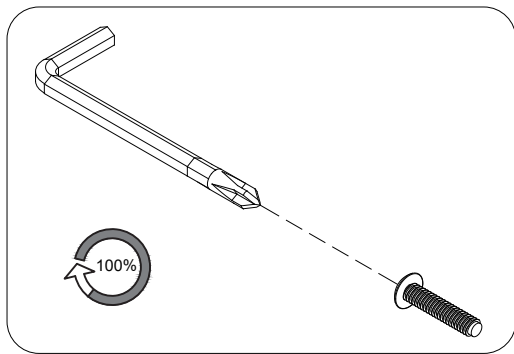
Step 8



Step 9



Step 10

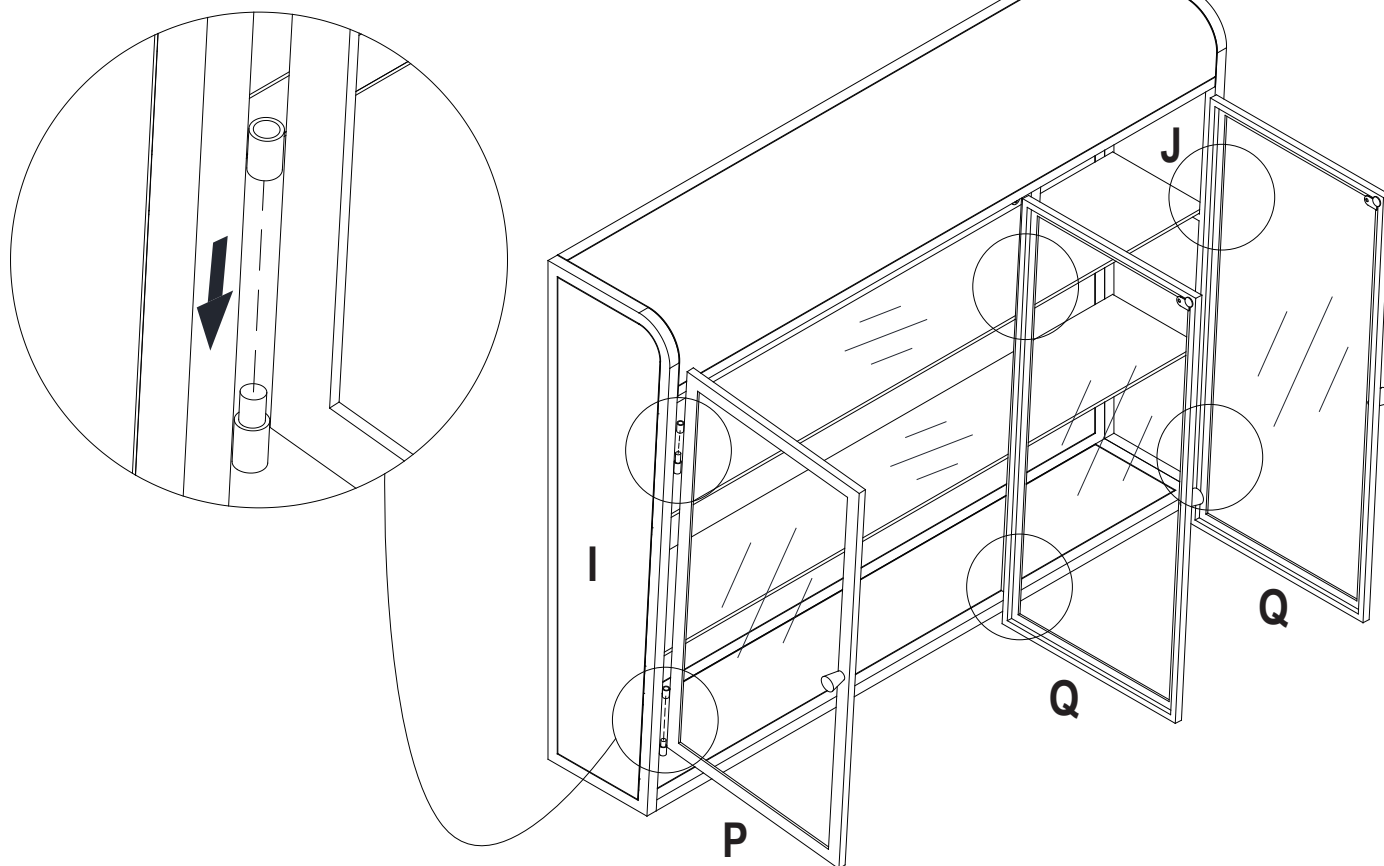


A1 X 1PC

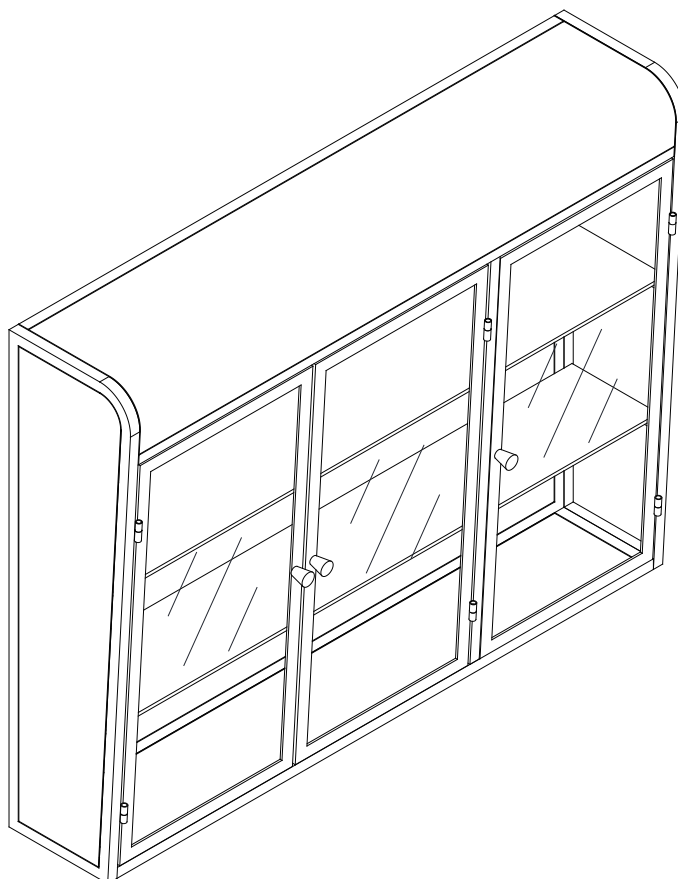
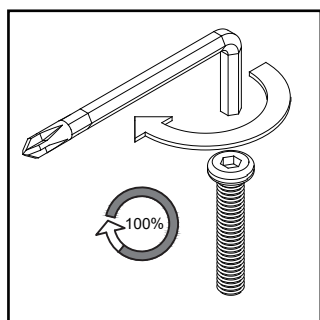
D X3 PCS

E X3 PCS

Step 11



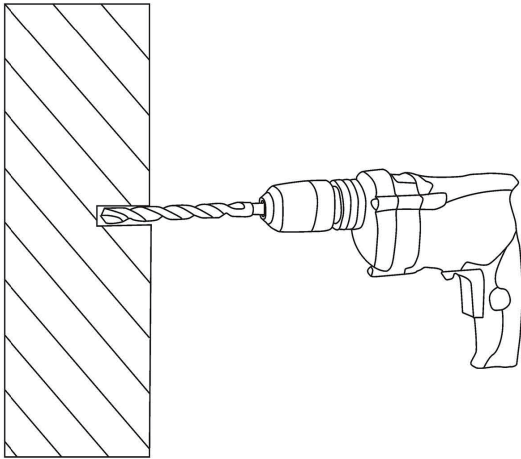
Step 12



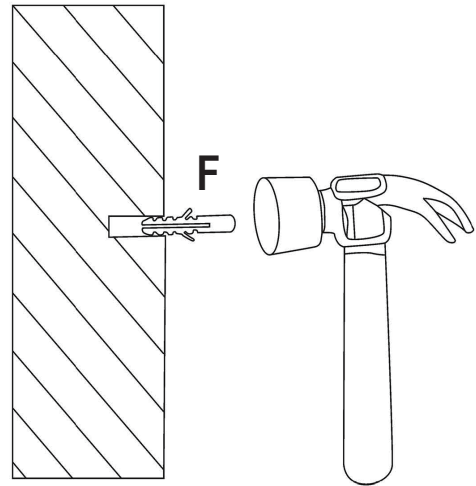
NOTE:AFTER ASSEMBLY,PLEASE MAKE SURE THAT ALL SCREWS ARE 100% LOCKED

Step 13

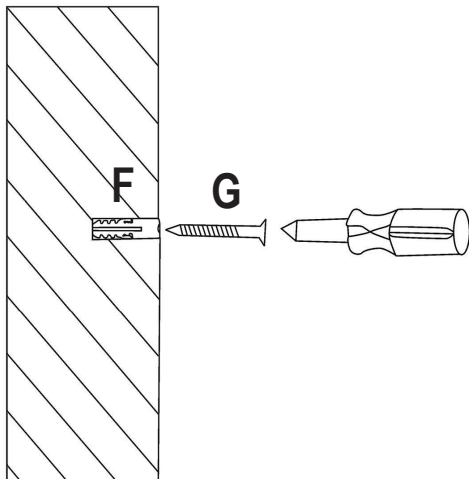
①



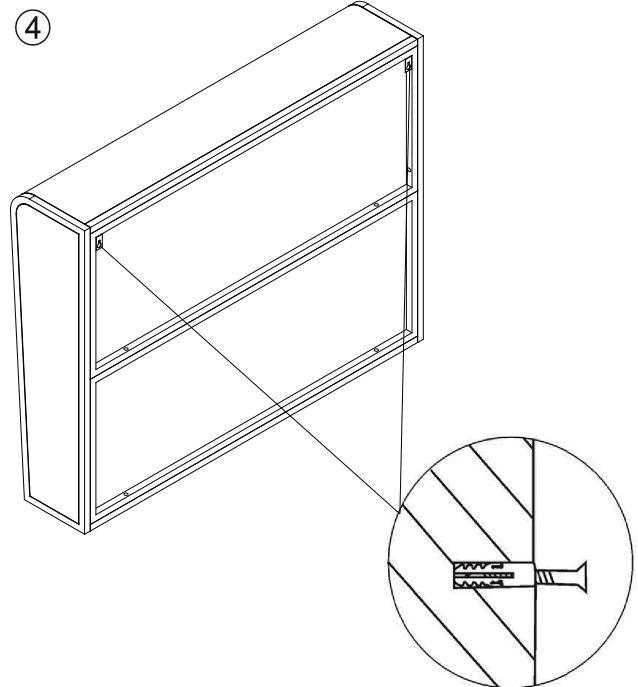
②



③



④



F X 2 PCS

G X 2 PCS