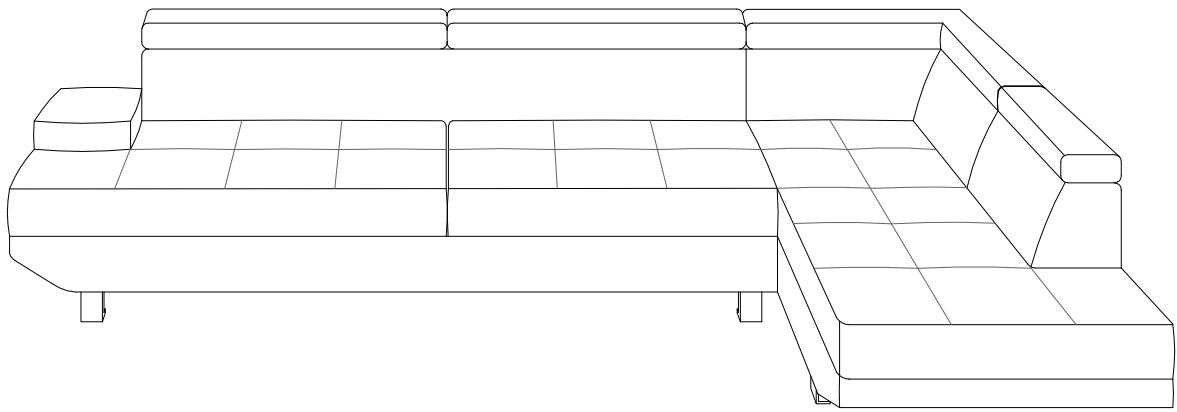
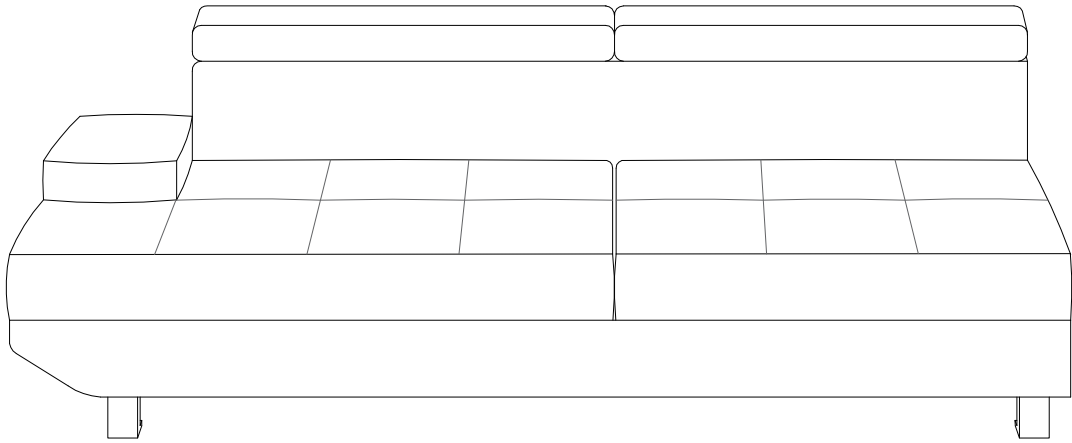


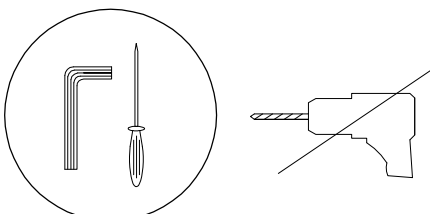

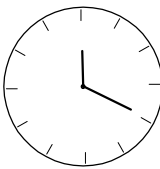
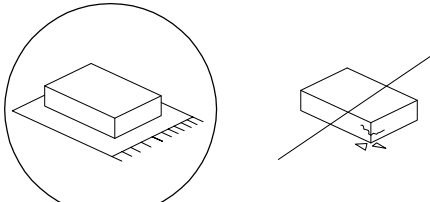
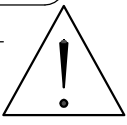
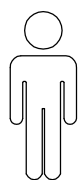
A

B



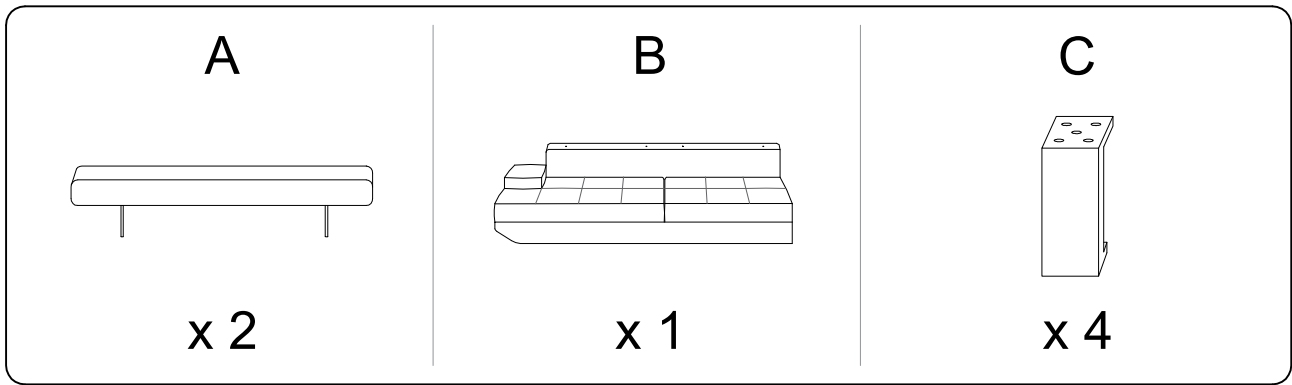
A



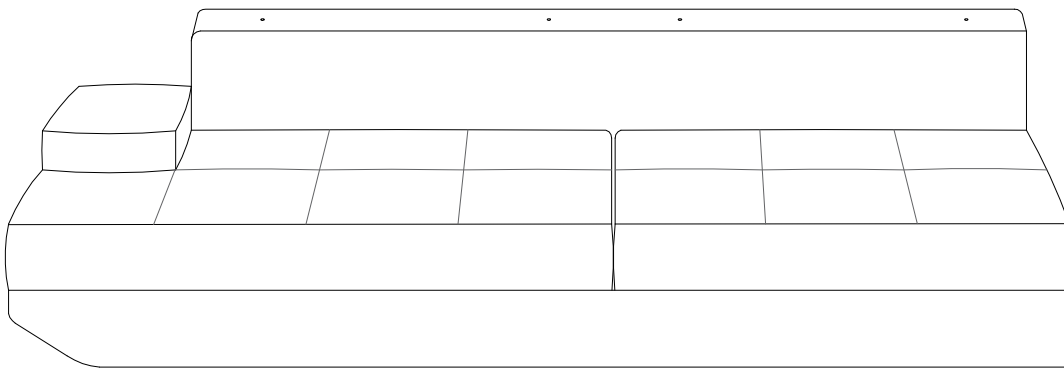
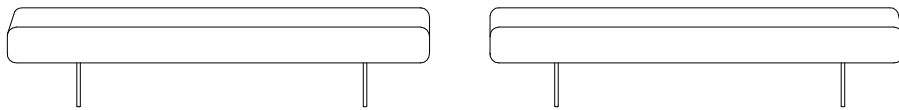
		
		

20'

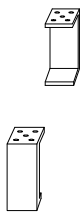
1



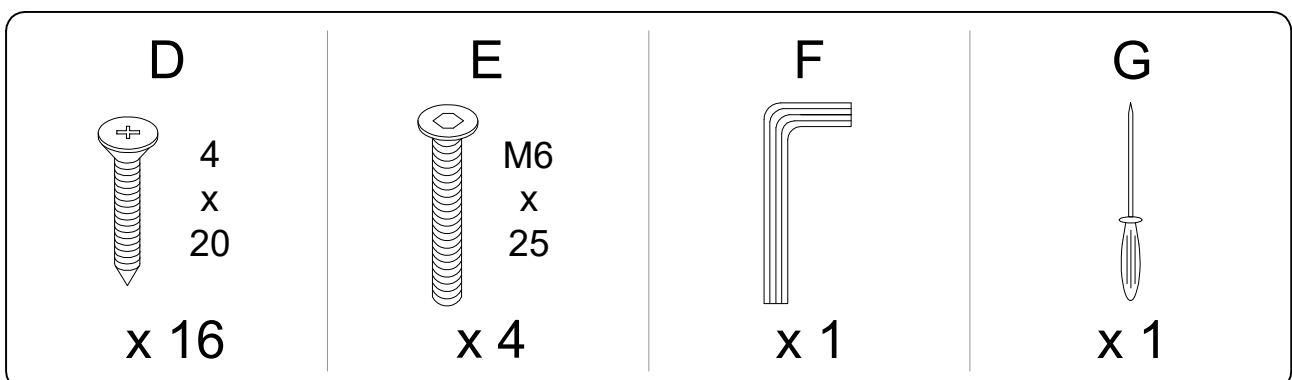
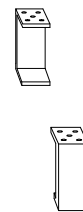
A x 2



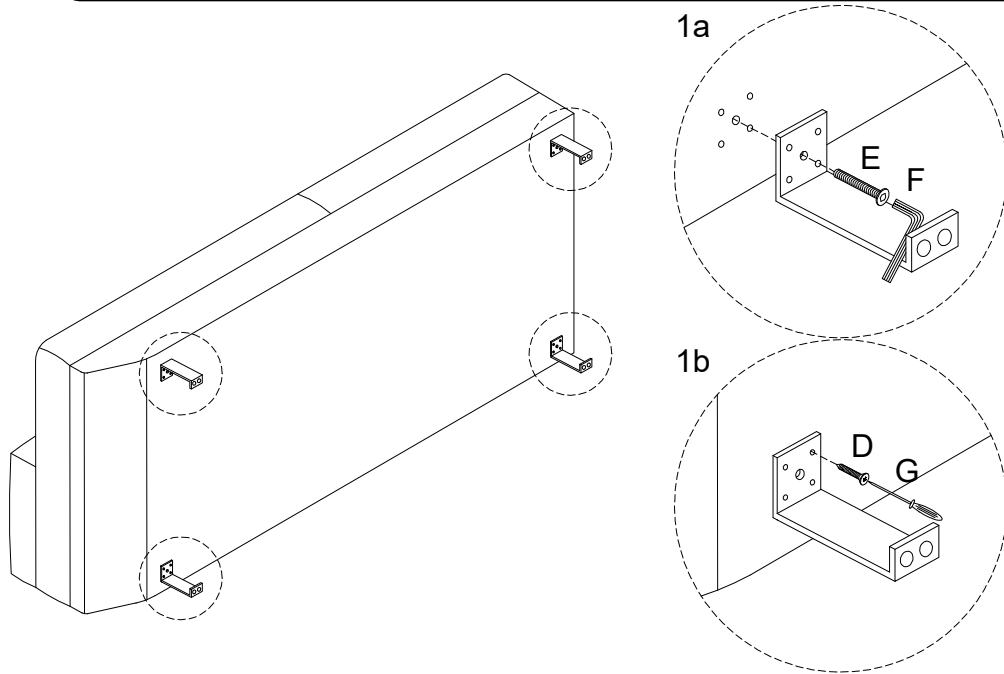
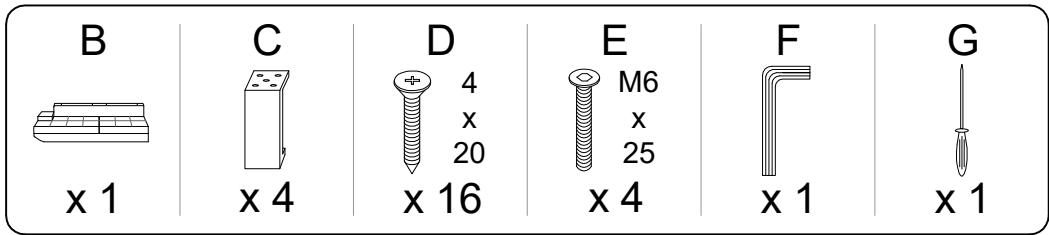
B



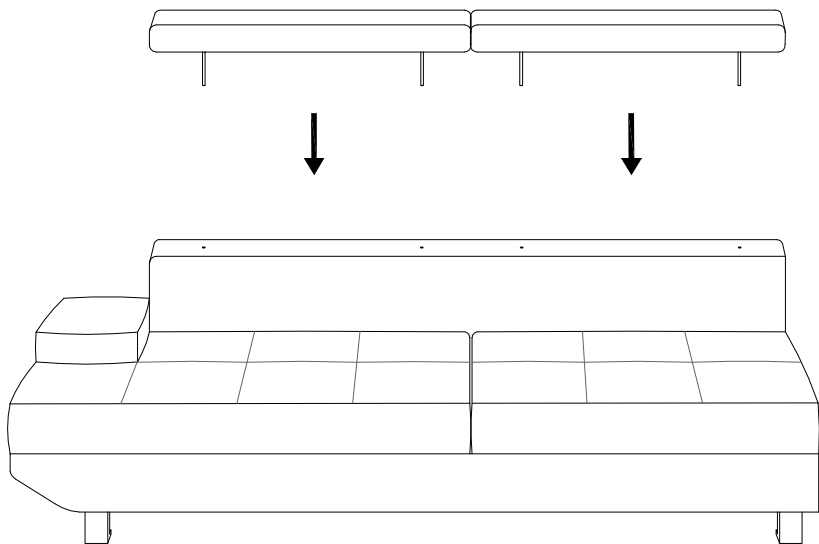
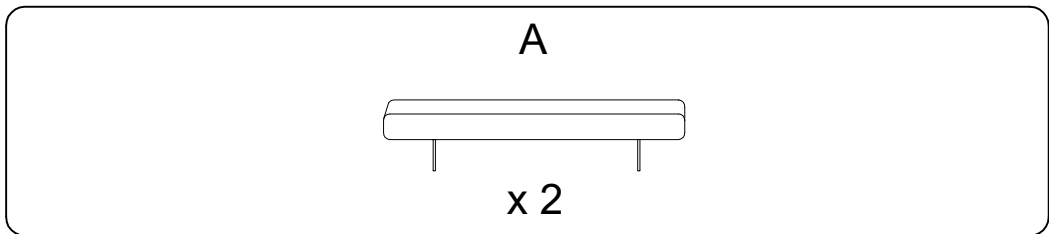
C x 4



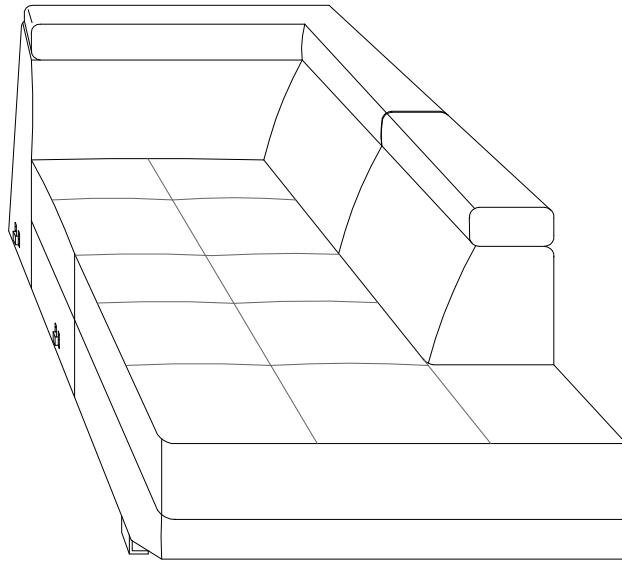
1

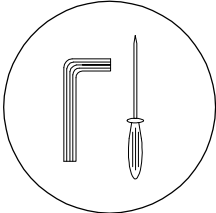
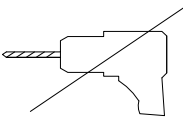
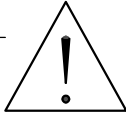
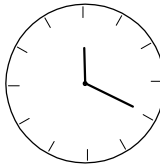
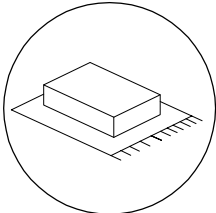
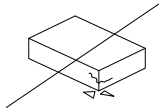
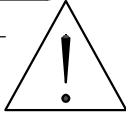
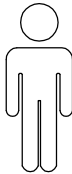


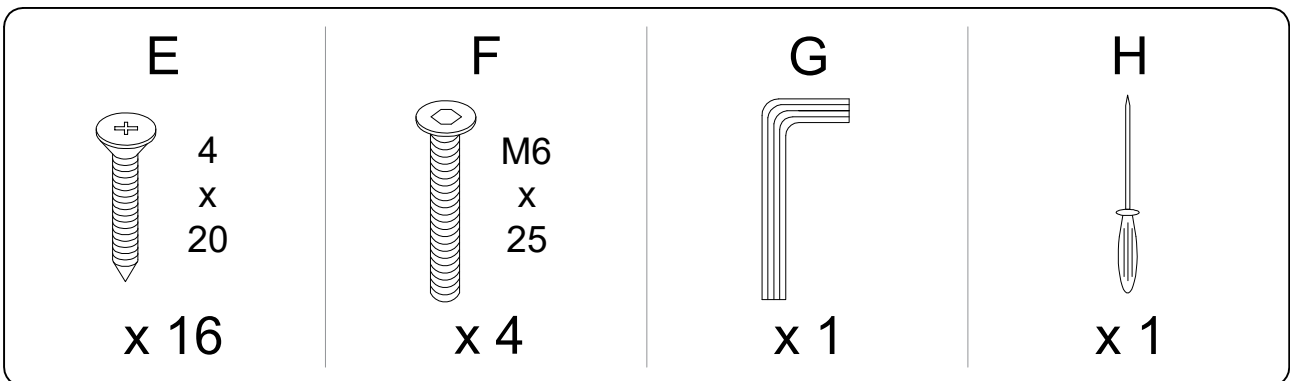
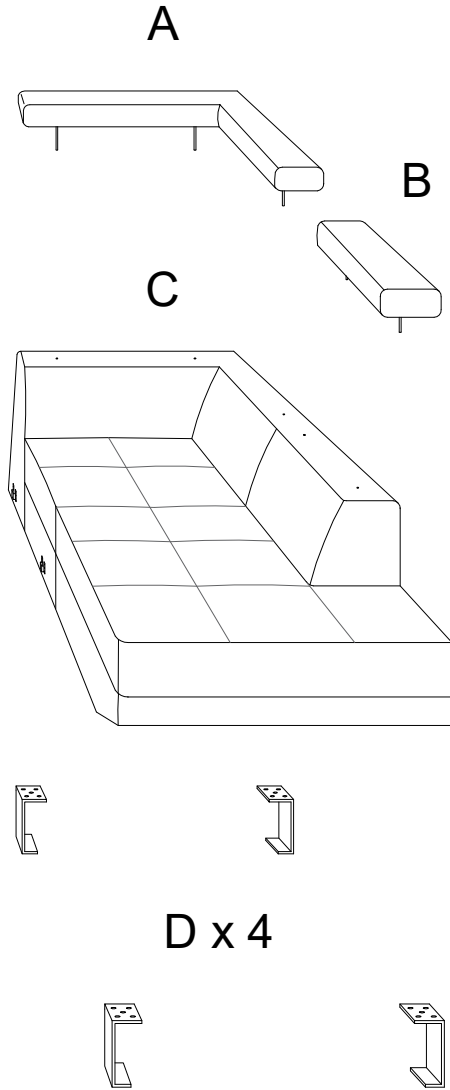
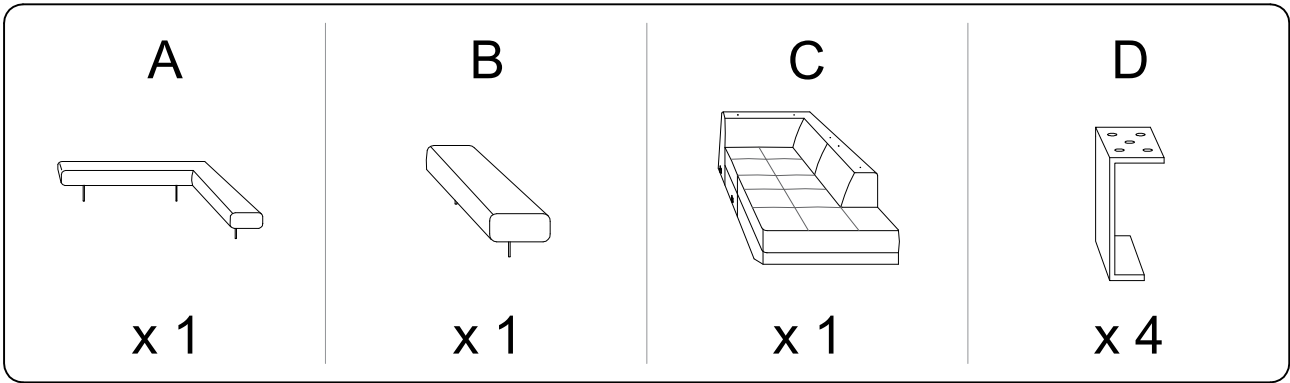
2



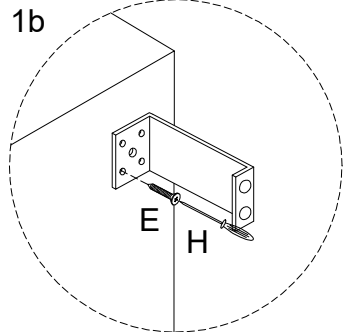
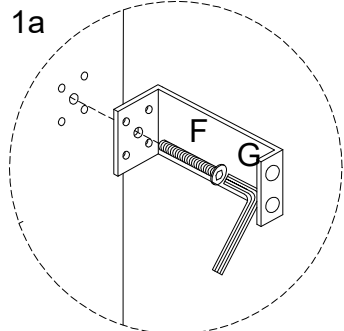
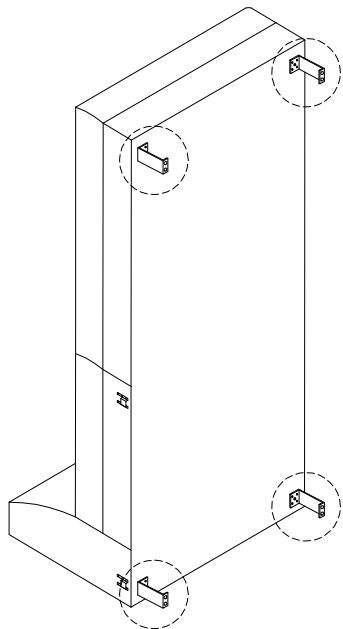
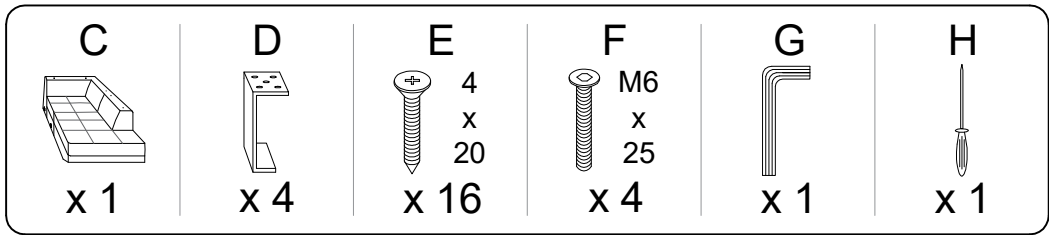
B



 		
		<p>20'</p>
 		
		<p>1</p>



1



2

