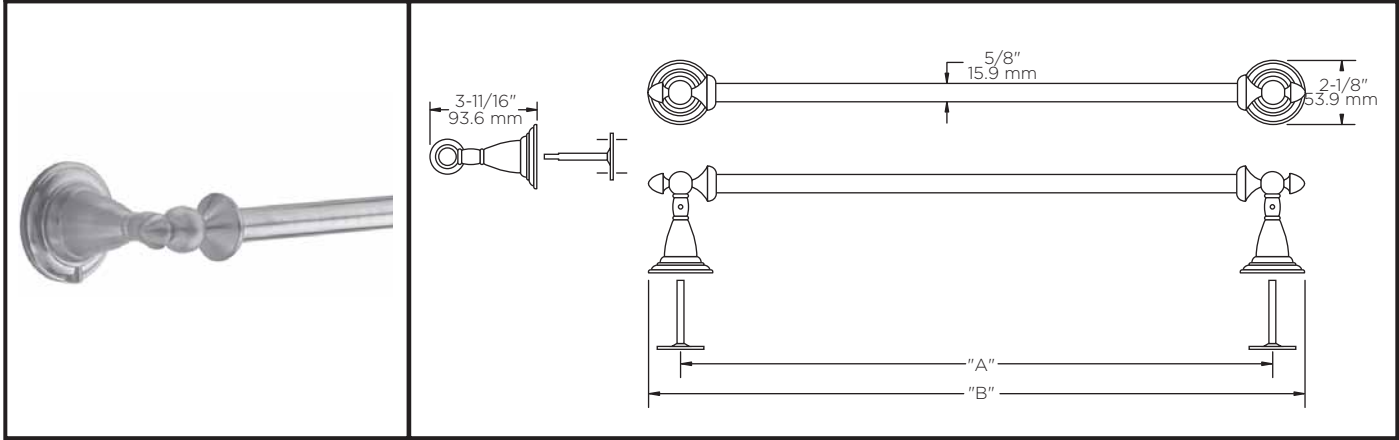


TECHNICAL DATA

Victorian®

18 in. & 24 in. TOWEL BAR



MATERIALS: Base Plate, Bell and Posts - Zinc Die Cast
Bar - Brass Tube
Wall Plate - Zinc Die Cast

INSTALLATION: Mount wall plate bracket(s) per installation instructions with supplied fasteners. Slip product over wall plate(s) and tighten set screws until secure.

OPTIONAL FASTENER INFORMATION:
Wood blocking is preferable behind all wall surfaces. If wood blocking is not available, the following fasteners are suggested: Tile/Masonry - Plastic or Lead Anchors, Plaster/Drywall - Toggle Bolts.

SPECIFICATION: Surface mounted towel bar shall be model _____
(fill in model number) by Liberty Hardware Manufacturing Corporation.

LENGTH	18" (457 mm)	24" (610 mm)
DIM "A"	19-3/8" (492 mm)	25-3/8" (645 mm)
DIM "B"	21-7/16" (545 mm)	27-7/16" (697 mm)