



---

# Instruction Manual

---

*Thanks a lot for your purchasing!*

*Please feel free to contact us if you have any questions with assembly or need replacement parts.*

*Our customer service email:*

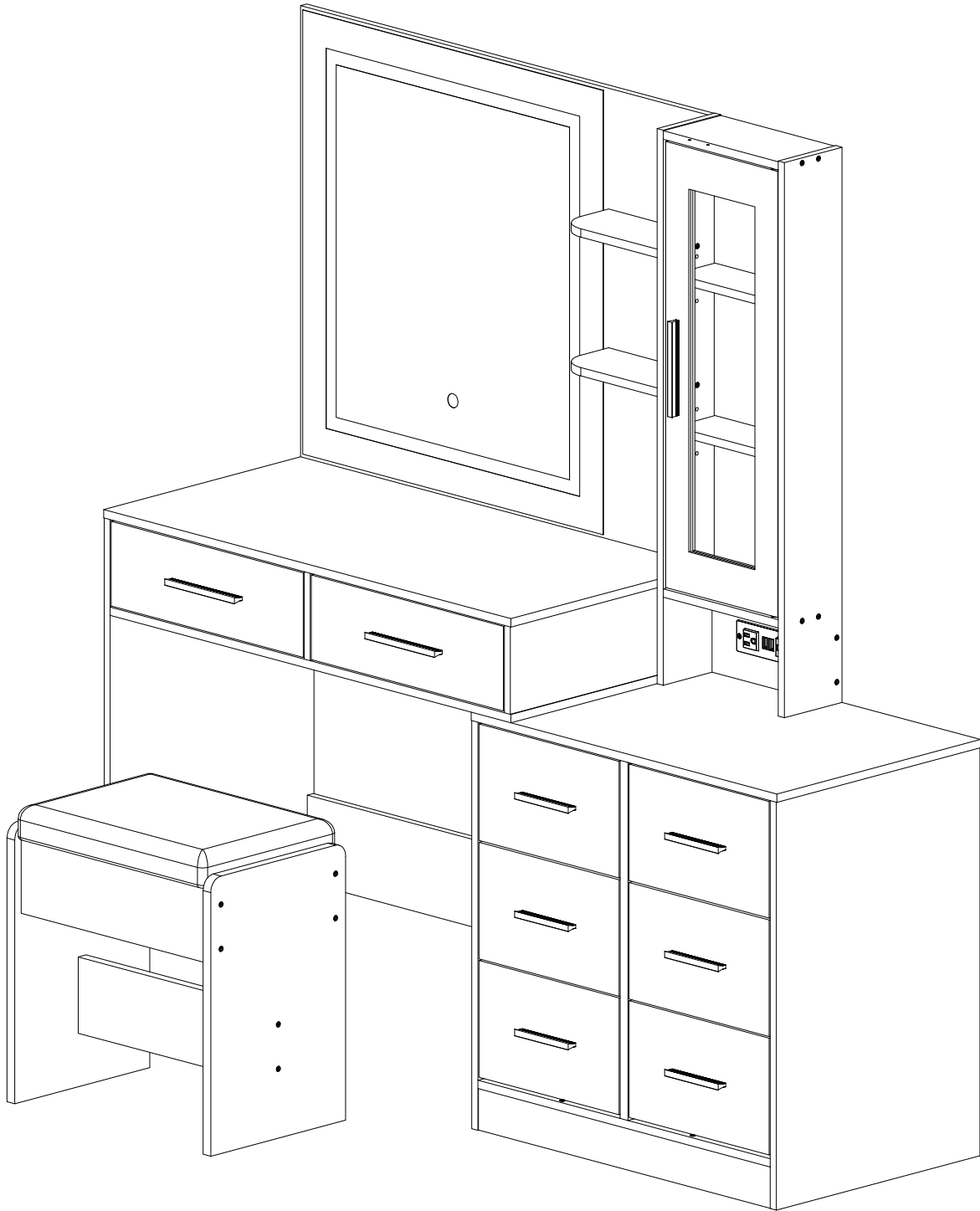
*European: [ANWBROADUK@outlook.com](mailto:ANWBROADUK@outlook.com)*

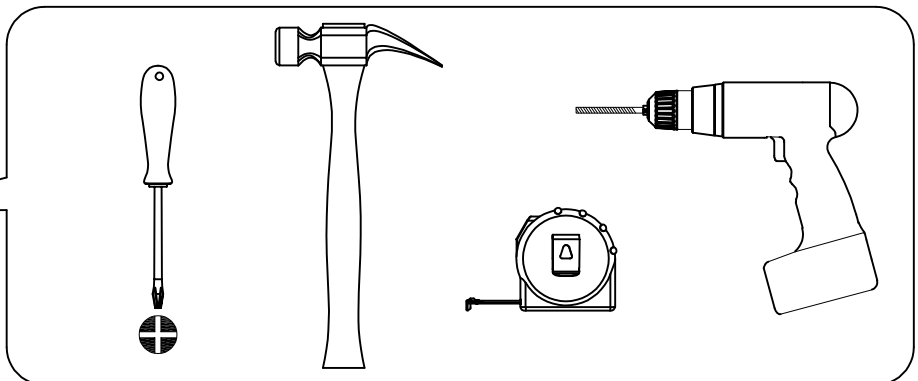
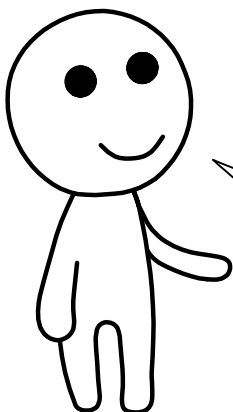
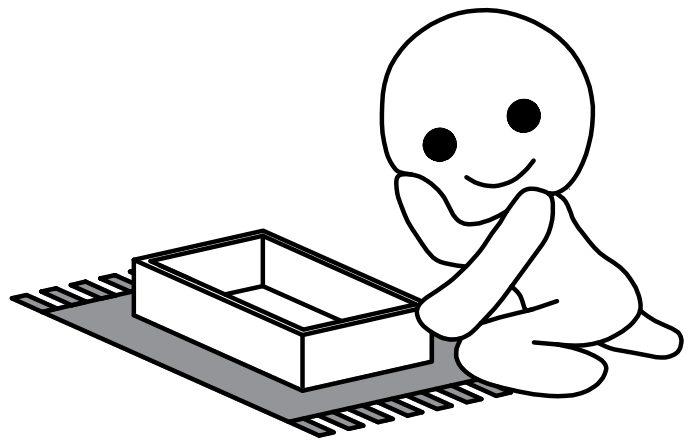
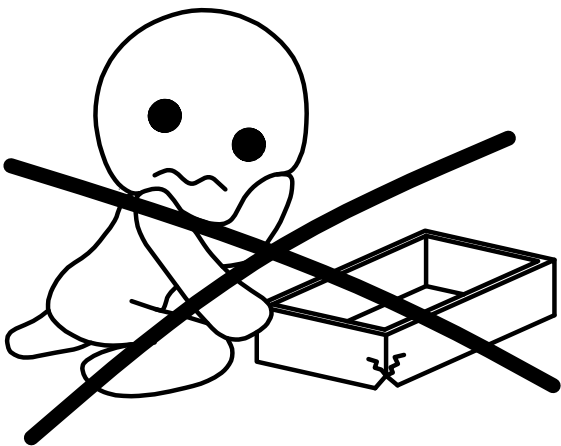
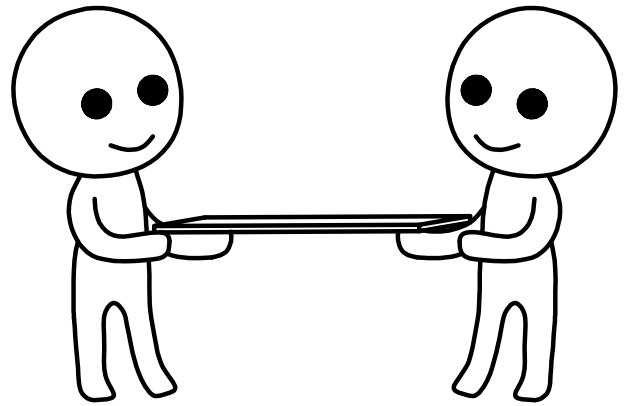
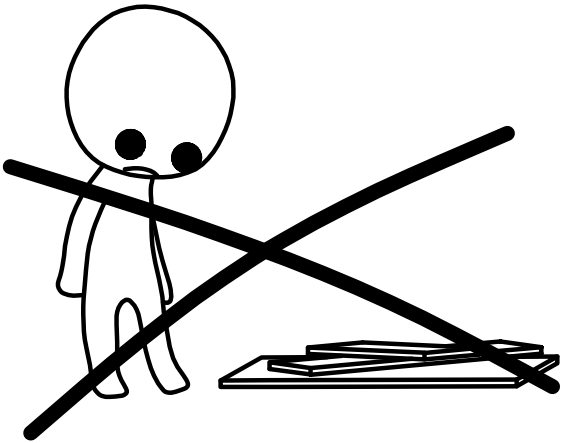
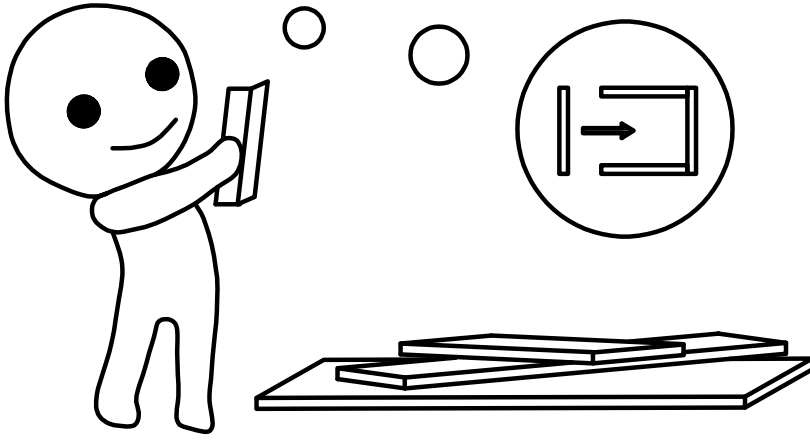
*North American: [Aonaweius@outlook.com](mailto:Aonaweius@outlook.com)*

*Please attach your Order ID so that we can assist you more effectively.*

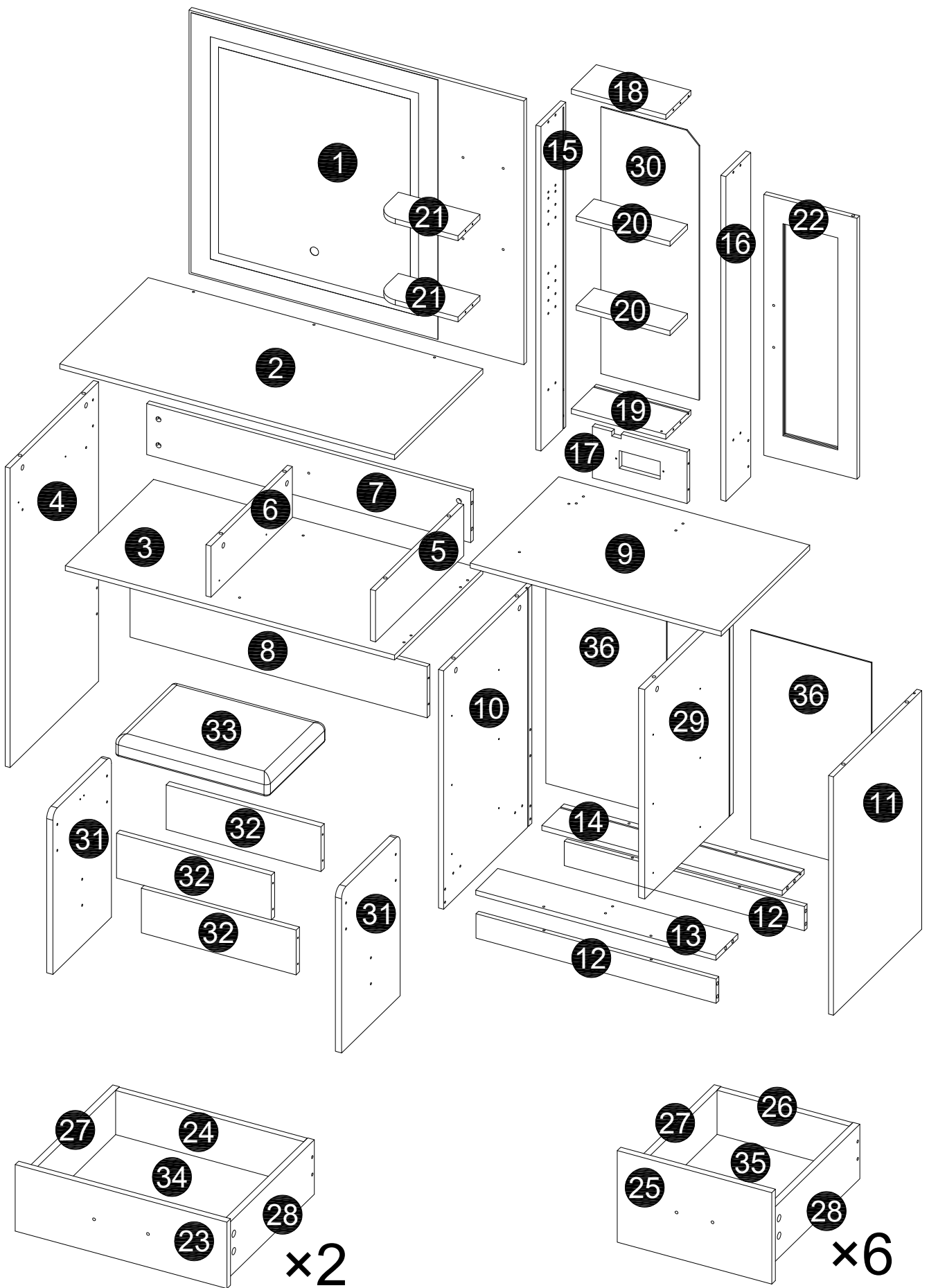
# Assembly Instruction

Decorate your home, Brighten wonderful life

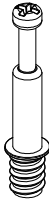

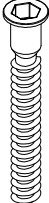
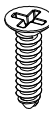
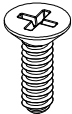

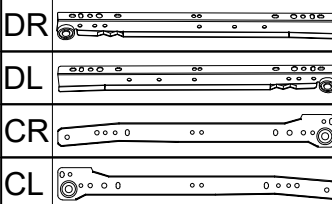
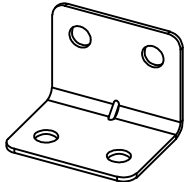
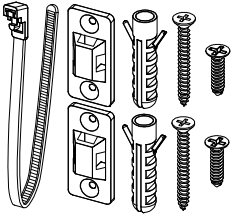
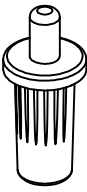
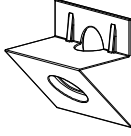
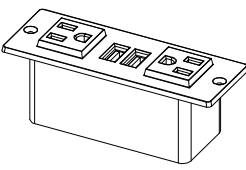
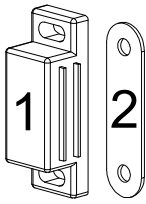
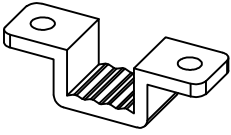
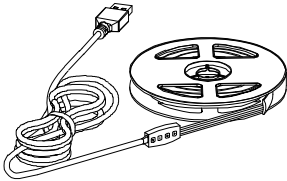
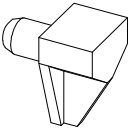
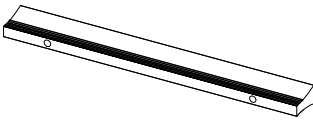
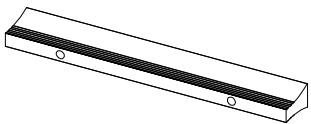
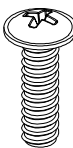
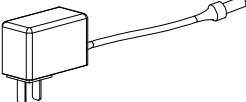




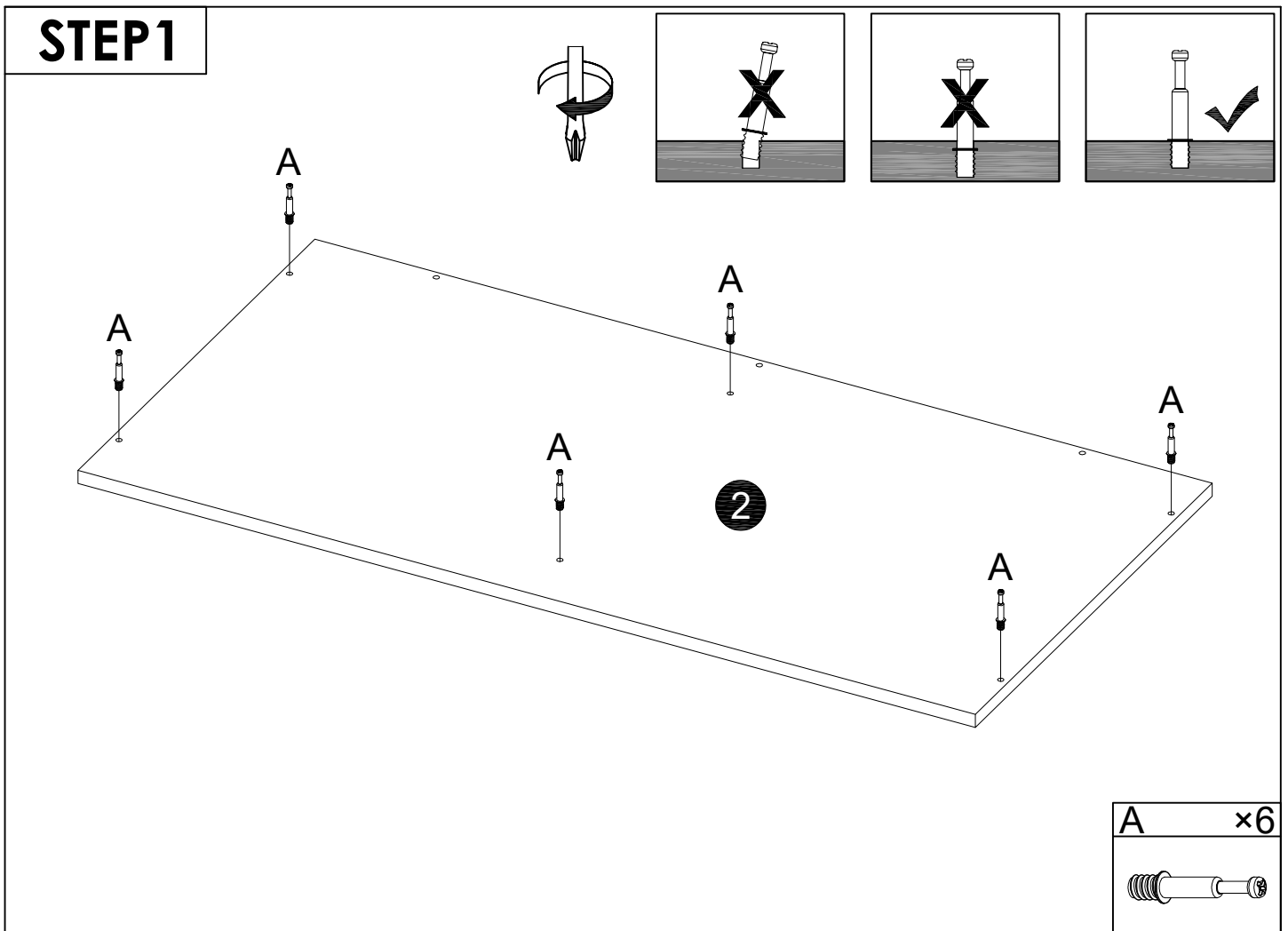
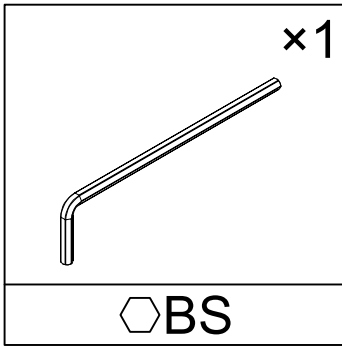
# PLATE NUMBER



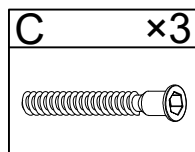
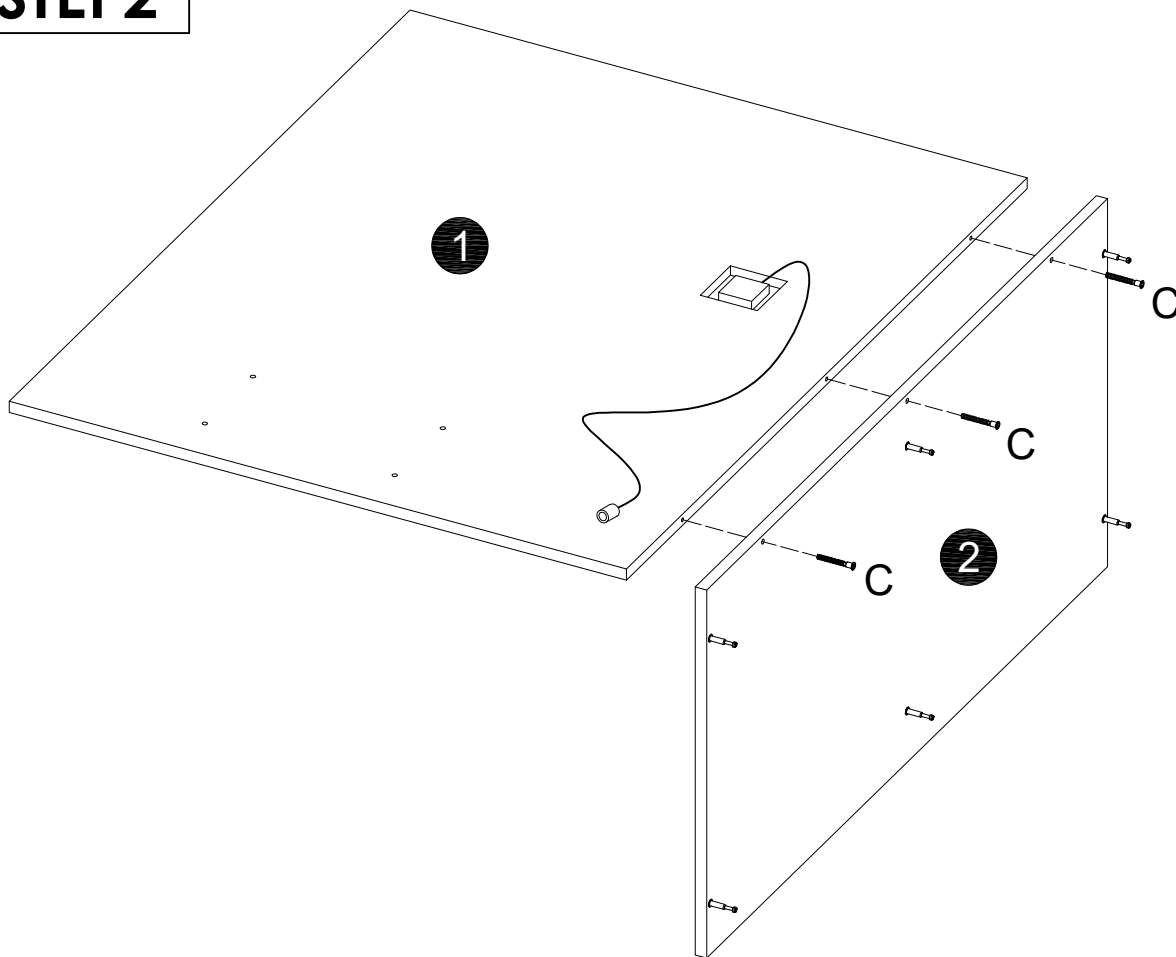
# ACCESSORIES LIST

<p>A <span style="float: right;">×64</span></p> 	<p>B <span style="float: right;">×64</span></p> 	<p>C <span style="float: right;">×92</span></p> 	<p>D <span style="float: right;">×70</span></p> 
<p>M6×35</p>	<p>12×10</p>	<p>M5×40</p>	<p>M3×12</p>
<p>E <span style="float: right;">×4</span></p> 	<p>F <span style="float: right;">×16</span></p> 	<p>G <span style="float: right;">×8</span></p> 	<p>H <span style="float: right;">×2</span></p> 
<p>M3.5×12</p>	<p>M3.5×14</p>	<p>HG-30</p>	<p>L-JM-17</p>
<p>J <span style="float: right;">×1</span></p> 	<p>K <span style="float: right;">×2</span></p> 	<p>L <span style="float: right;">×8</span></p> 	<p>M <span style="float: right;">×1</span></p> 
<p>FDQ</p>	<p>THGBD</p>	<p>BBK</p>	<p>CZ</p>
<p>N <span style="float: right;">×1</span></p> 	<p>P <span style="float: right;">×2</span></p> 	<p>Q <span style="float: right;">×1</span></p> 	<p>R <span style="float: right;">×8</span></p> 
<p>MGX</p>	<p>DDK</p>	<p>DD</p>	<p>CBT</p>
<p>S <span style="float: right;">×3</span></p> 	<p>T <span style="float: right;">×6</span></p> 	<p>U <span style="float: right;">×18</span></p> 	<p><span style="float: right;">×1</span></p> 
<p>SKLS-T96</p>	<p>SKLS-T64</p>	<p>M4×14</p>	<p>DY</p>

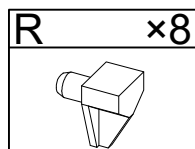
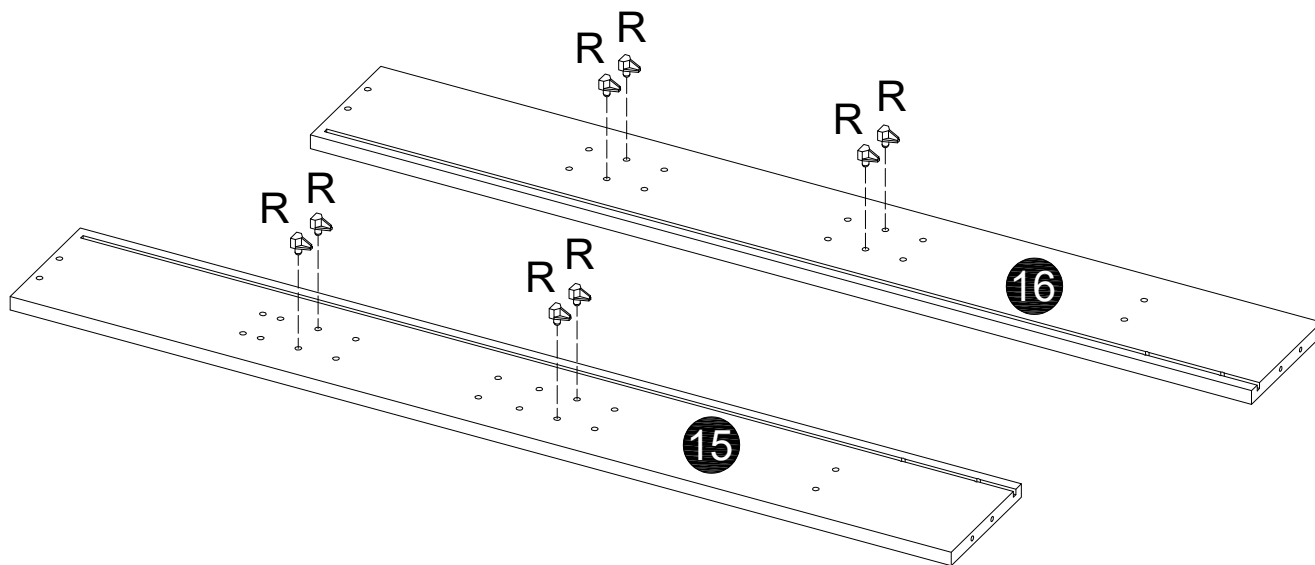
# ACCESSORIES LIST



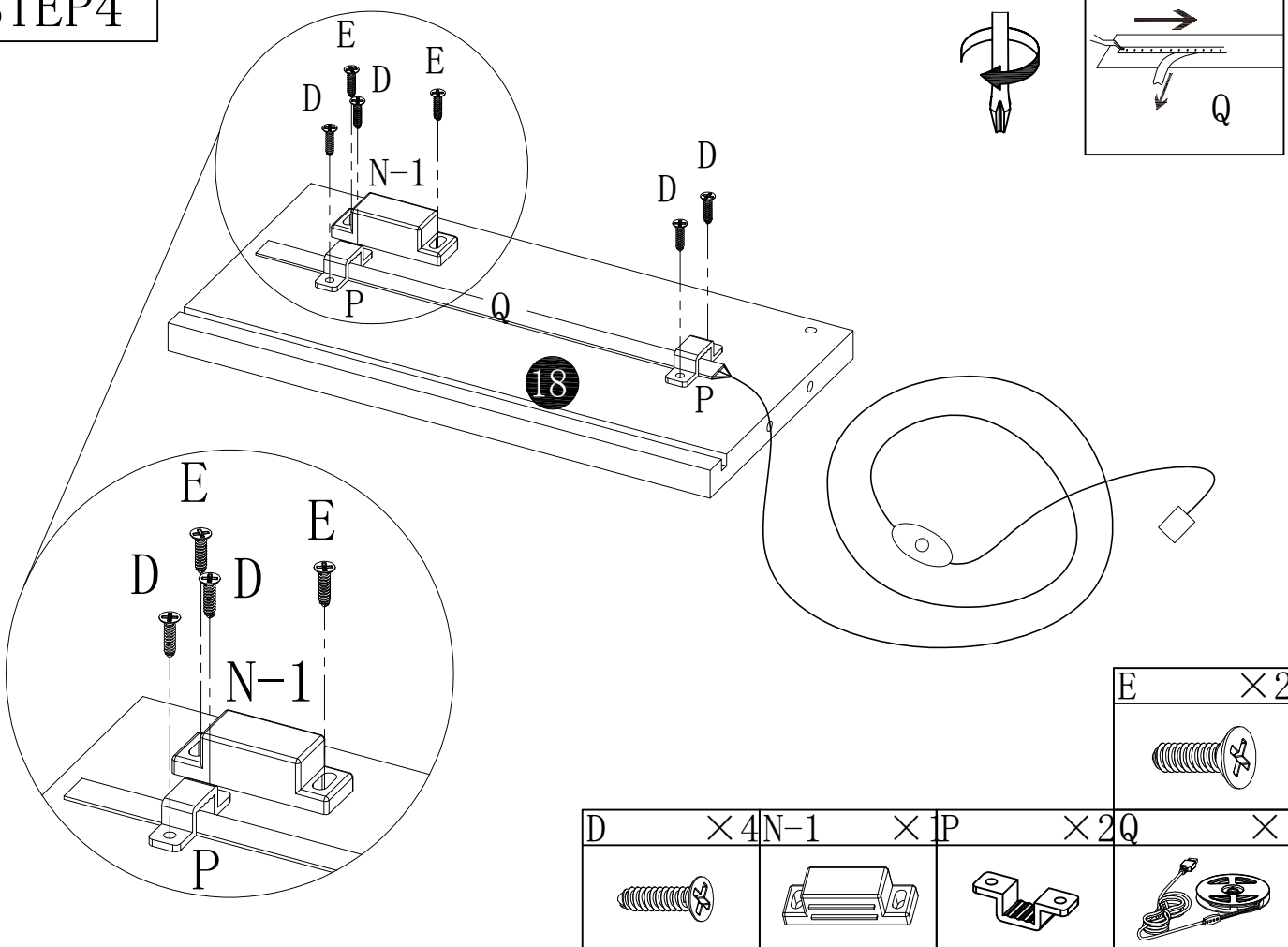
# STEP 2



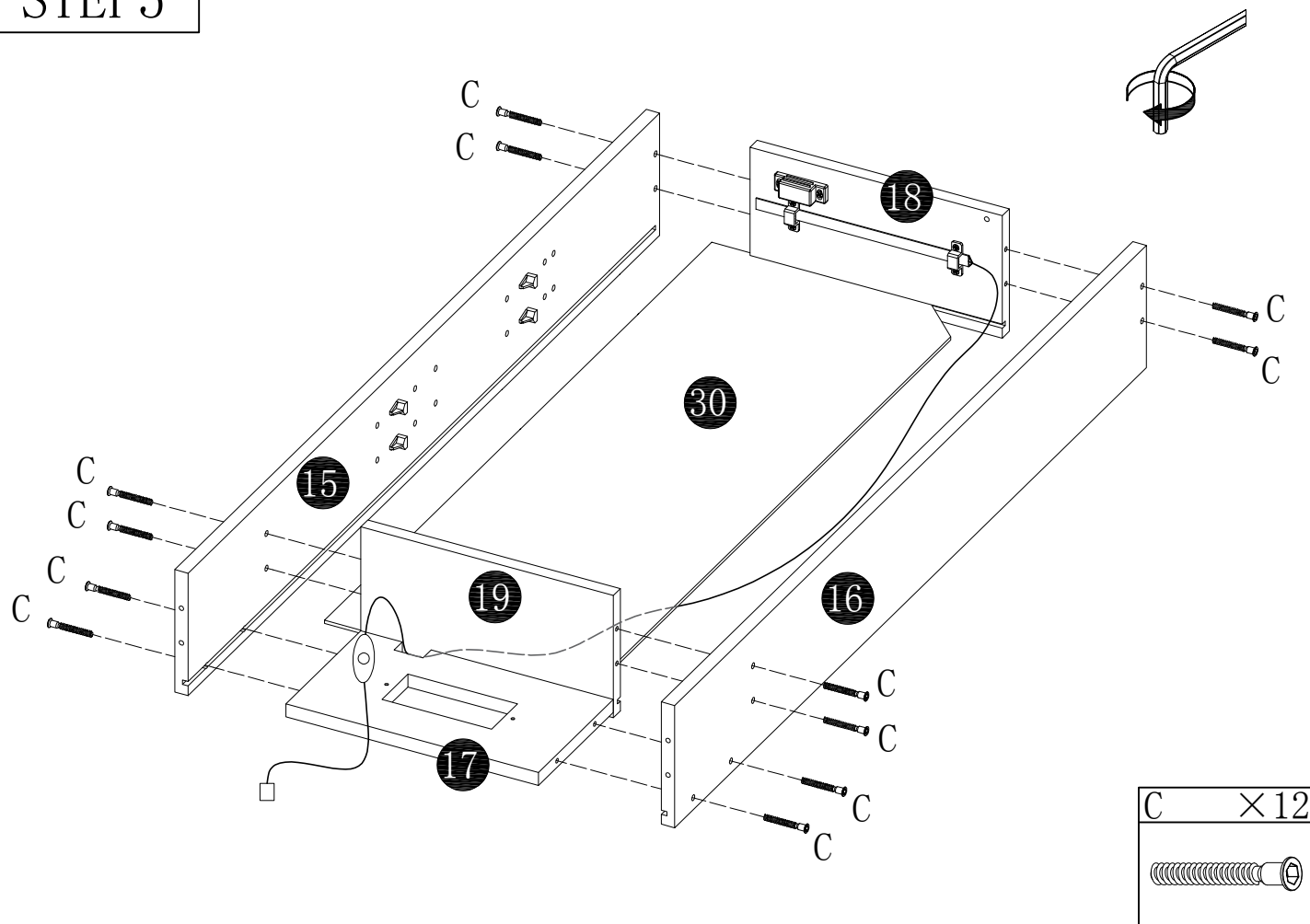
# STEP 3



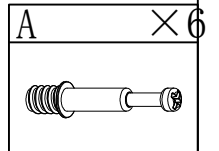
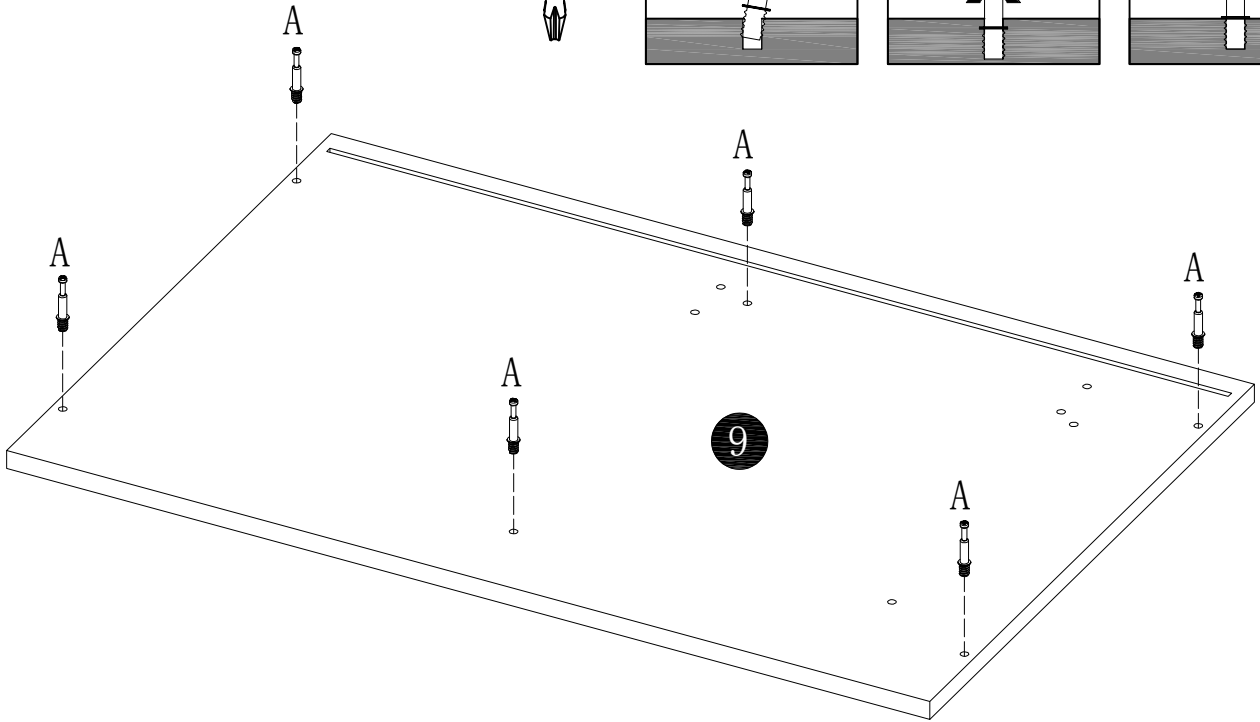
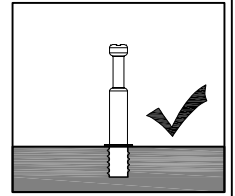
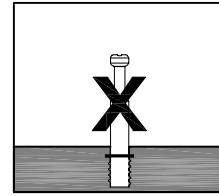
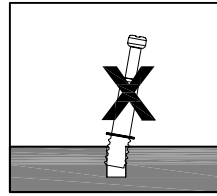
# STEP4



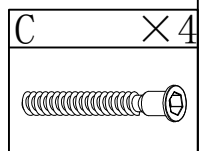
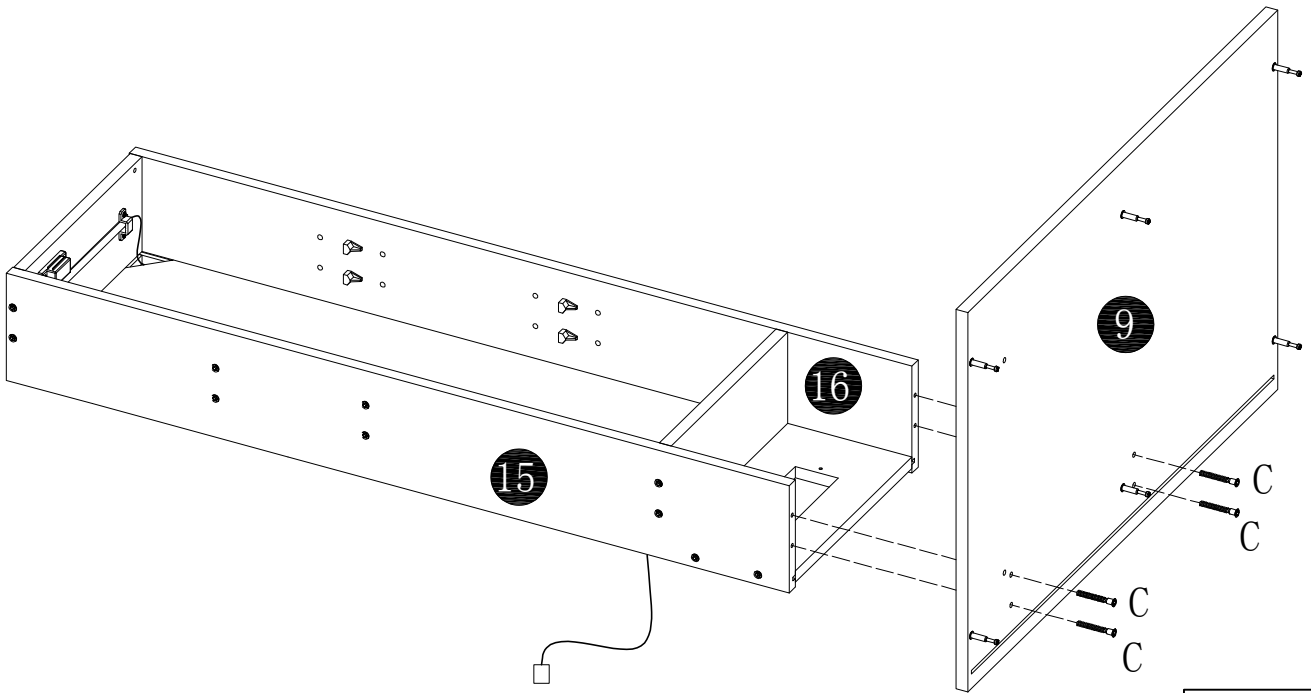
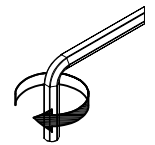
# STEP5



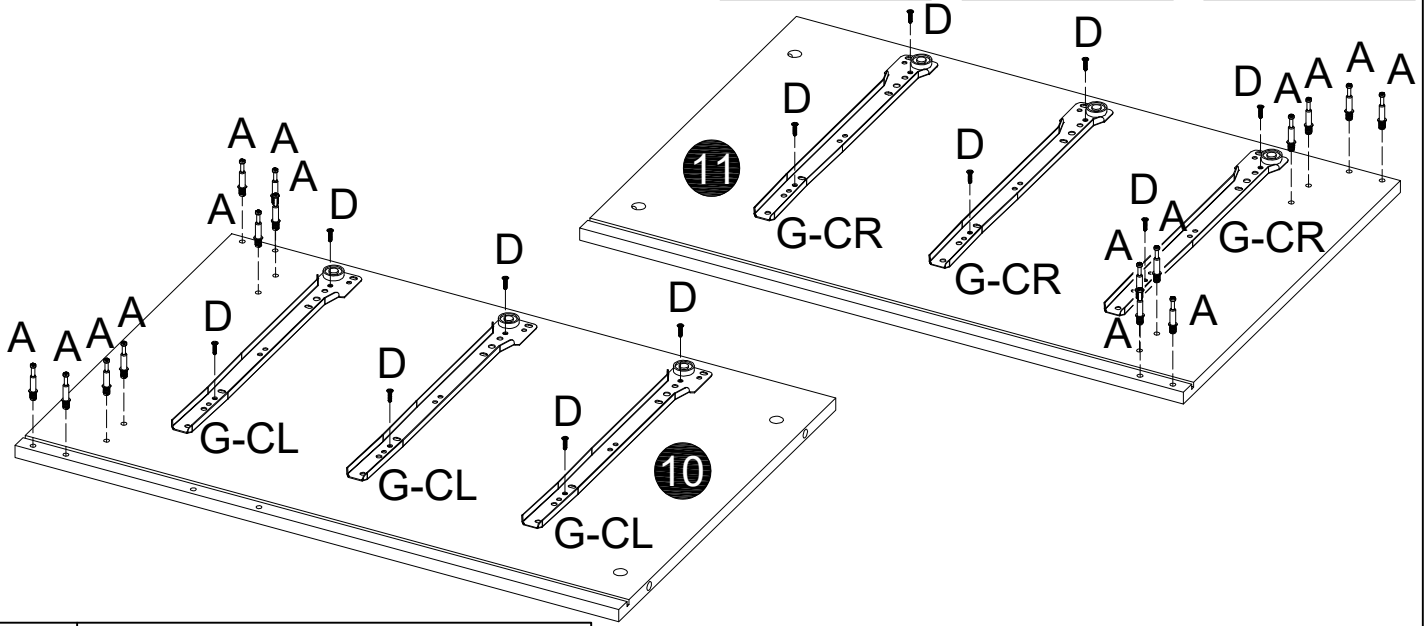
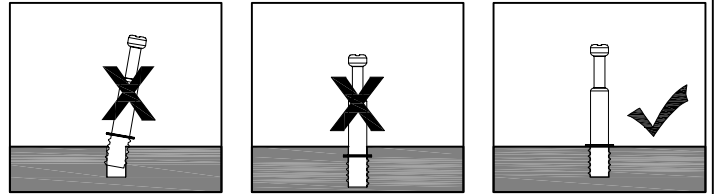
# STEP 6



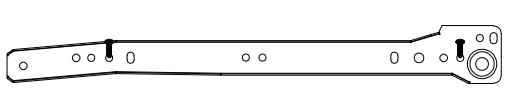
# STEP 7



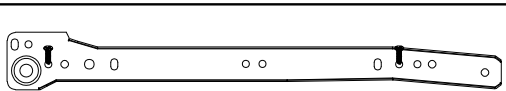
# STEP 8



CR

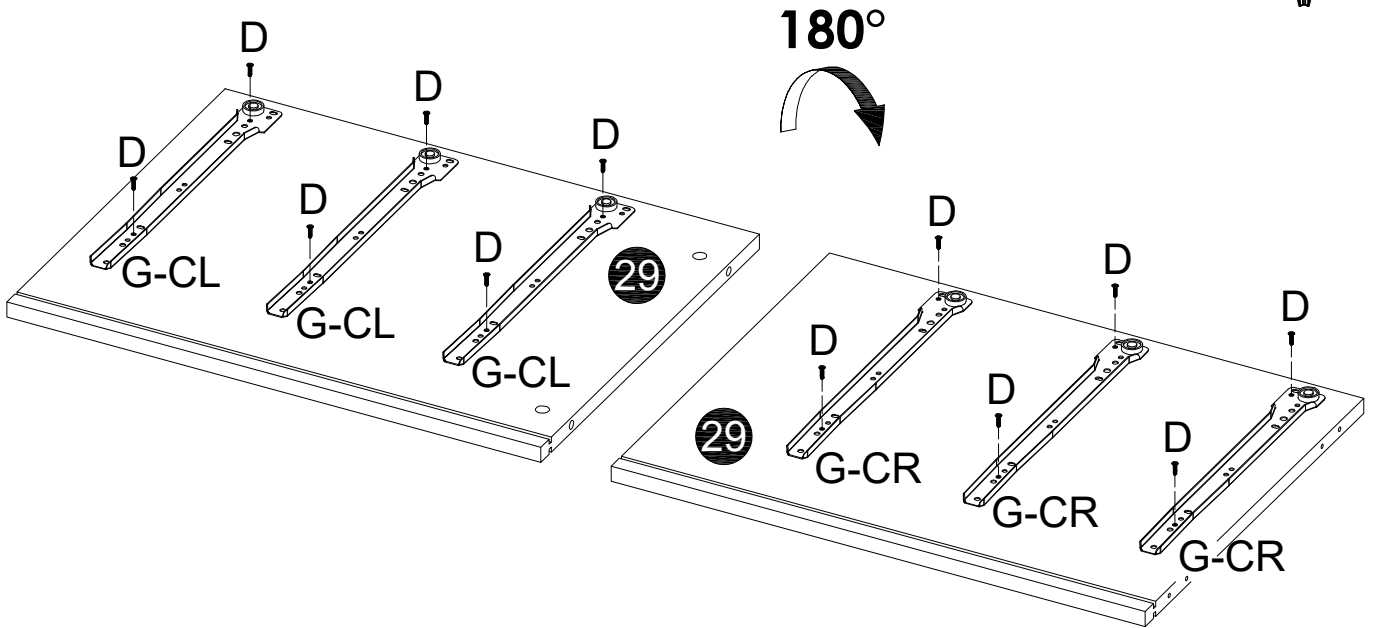
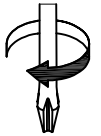


CL

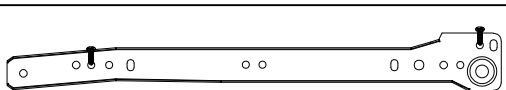


A	x16	D	x12	G	x3
				CL	CR

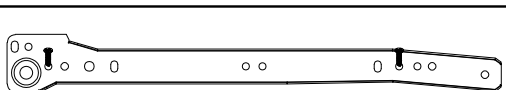
# STEP 9



CR

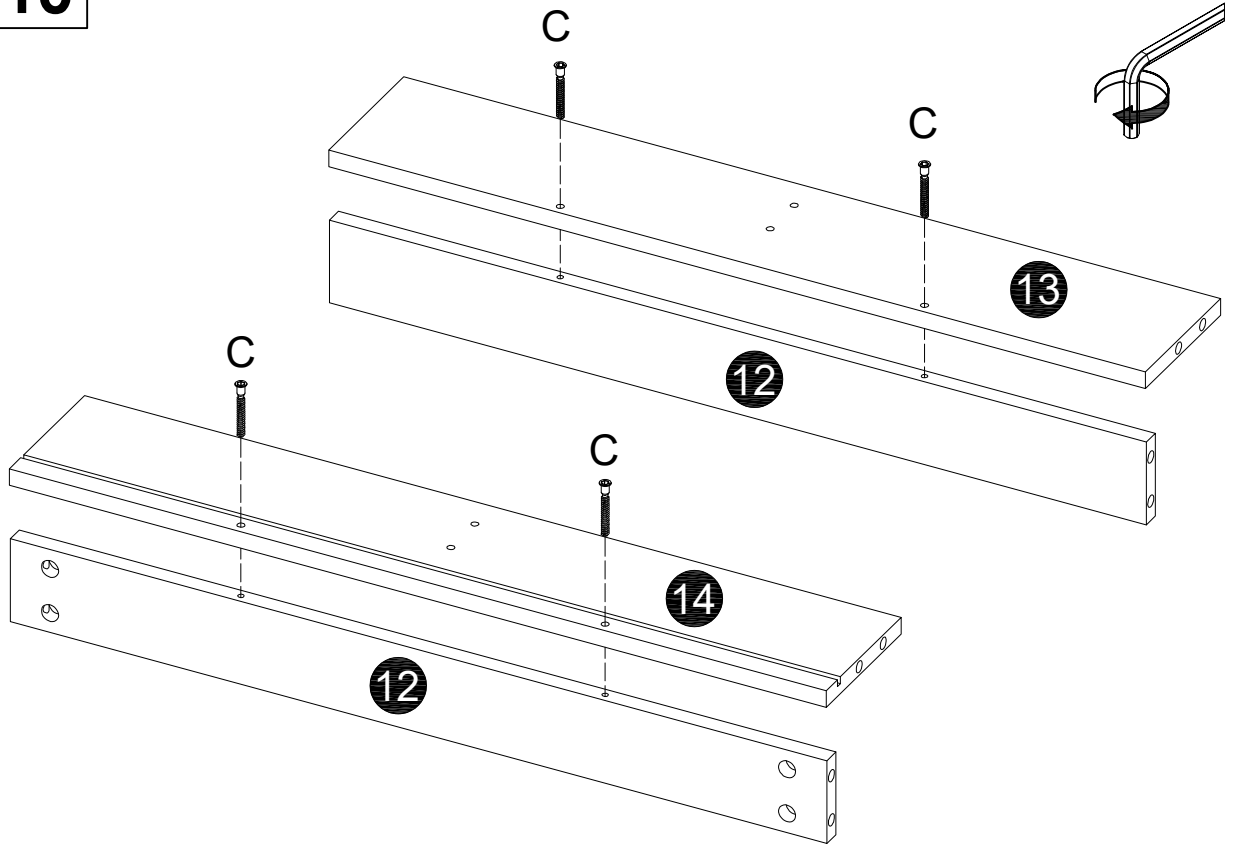


CL



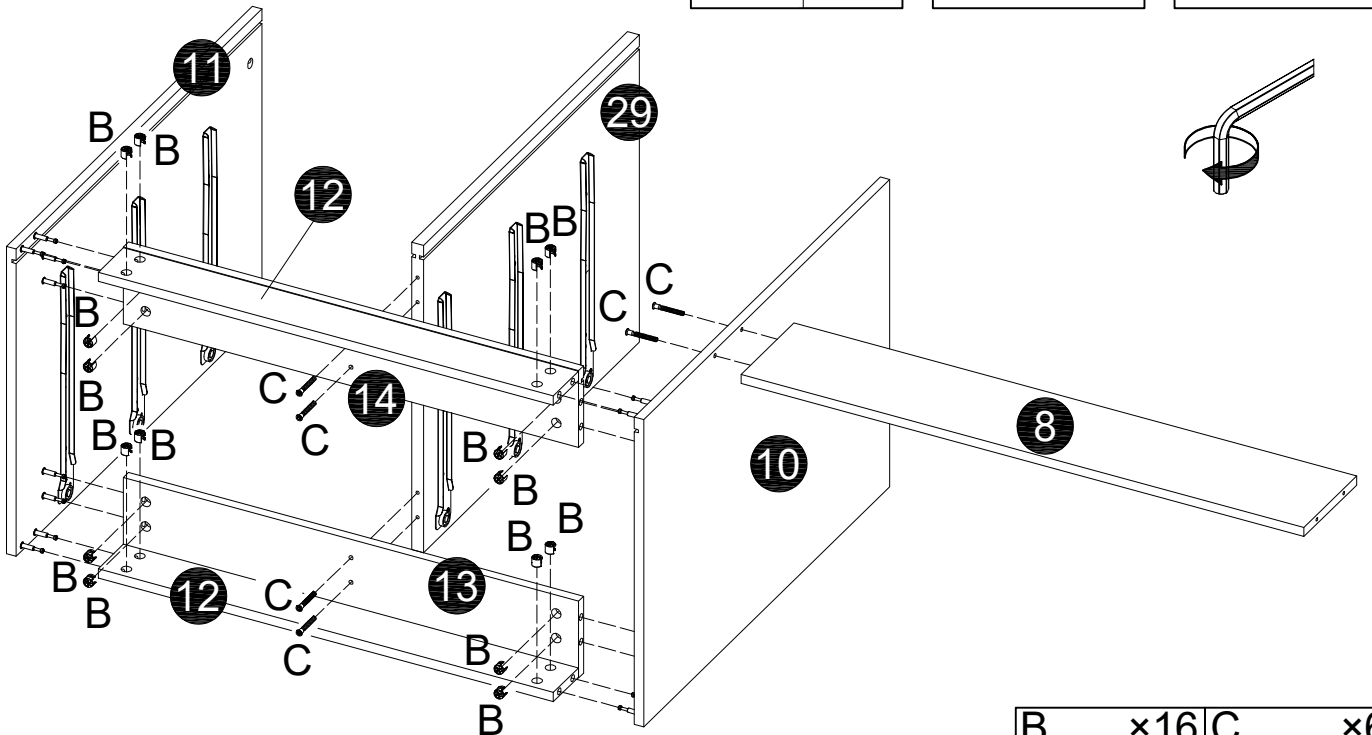
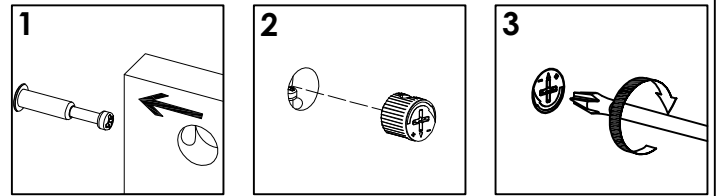
D	x12	G	x3
		CL	CR

# STEP 10



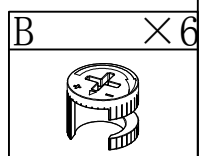
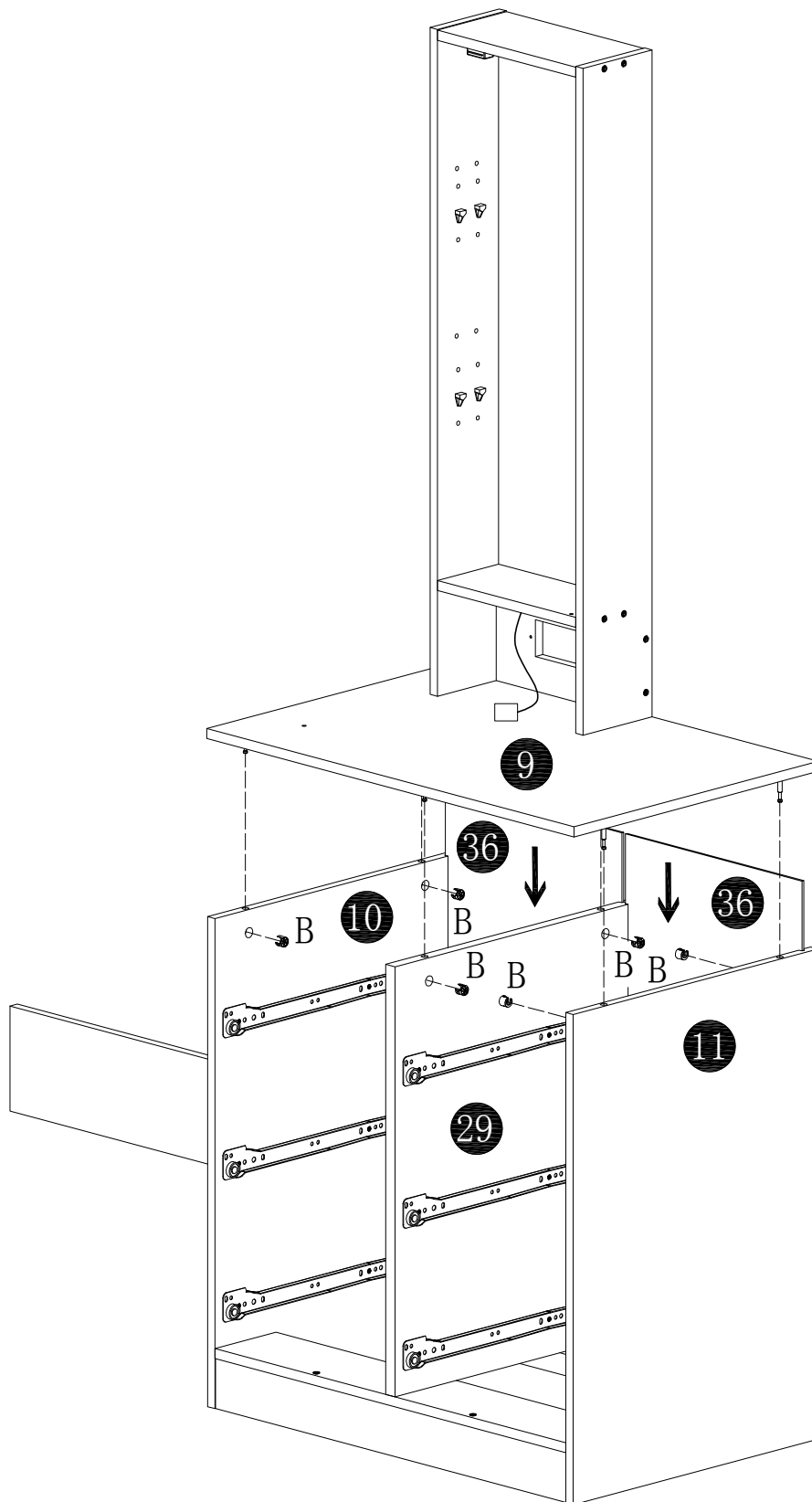
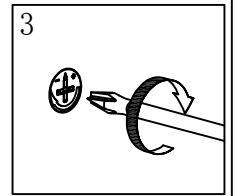
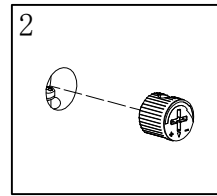
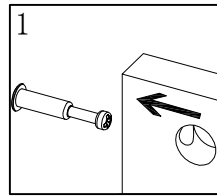
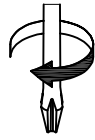
C	x4

# STEP 11

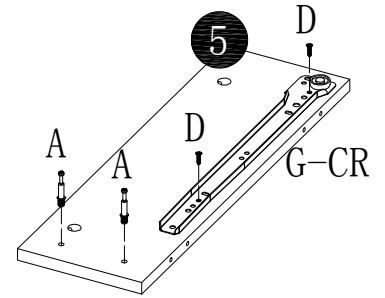
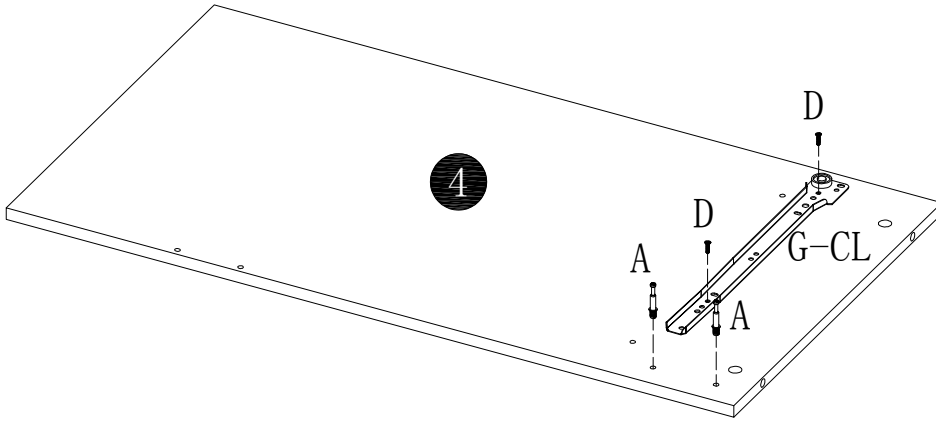
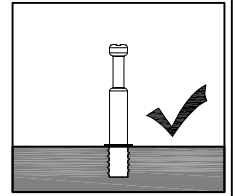
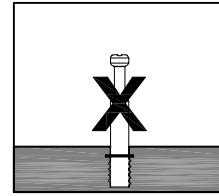
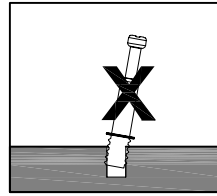
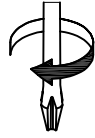


B	x16	C	x6

# STEP 12



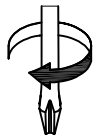
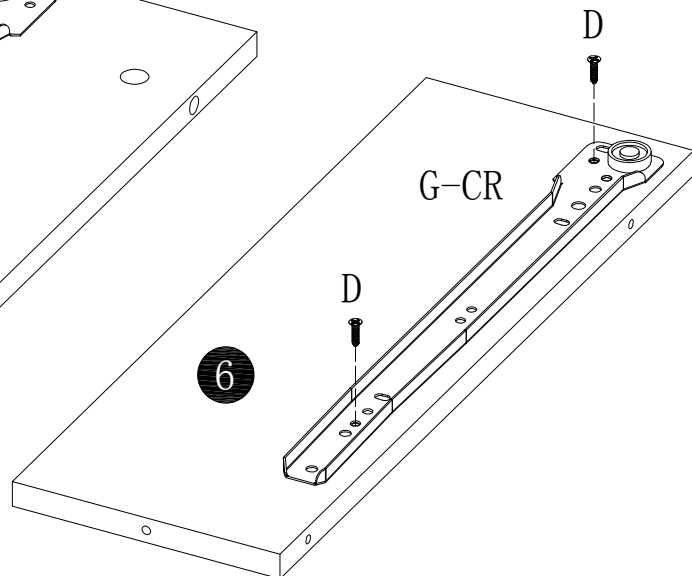
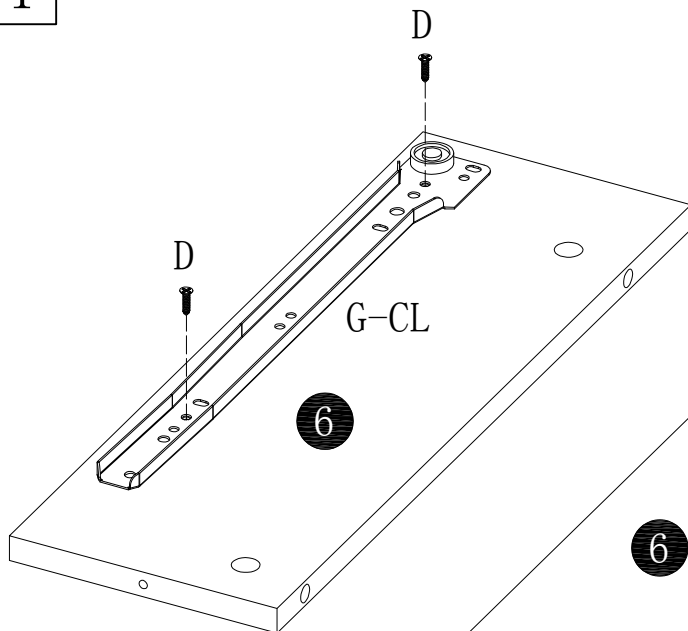
# STEP13



CR	
CL	

A	× 4	D	× 4	G	× 1
				CL	CR

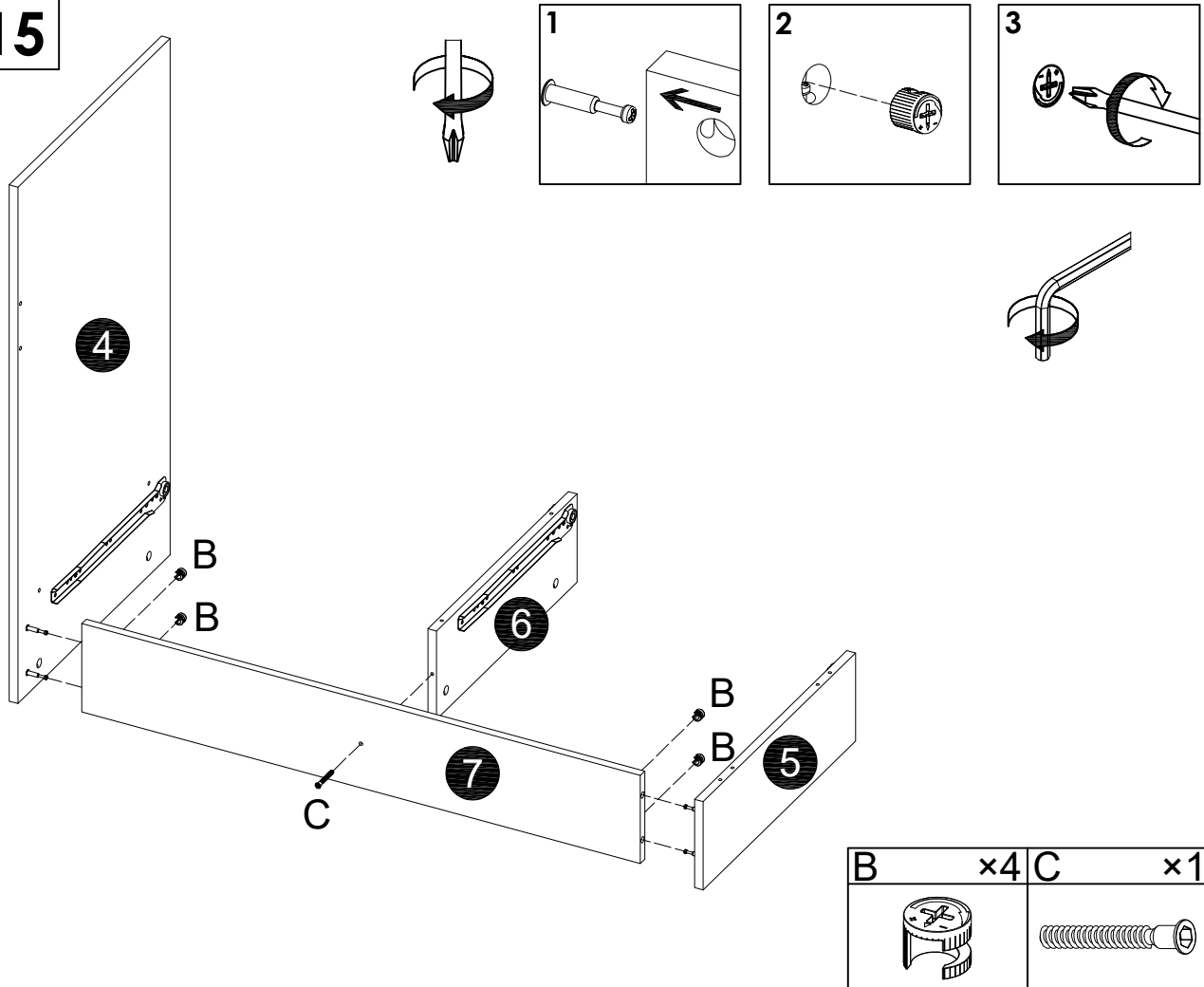
# STEP14



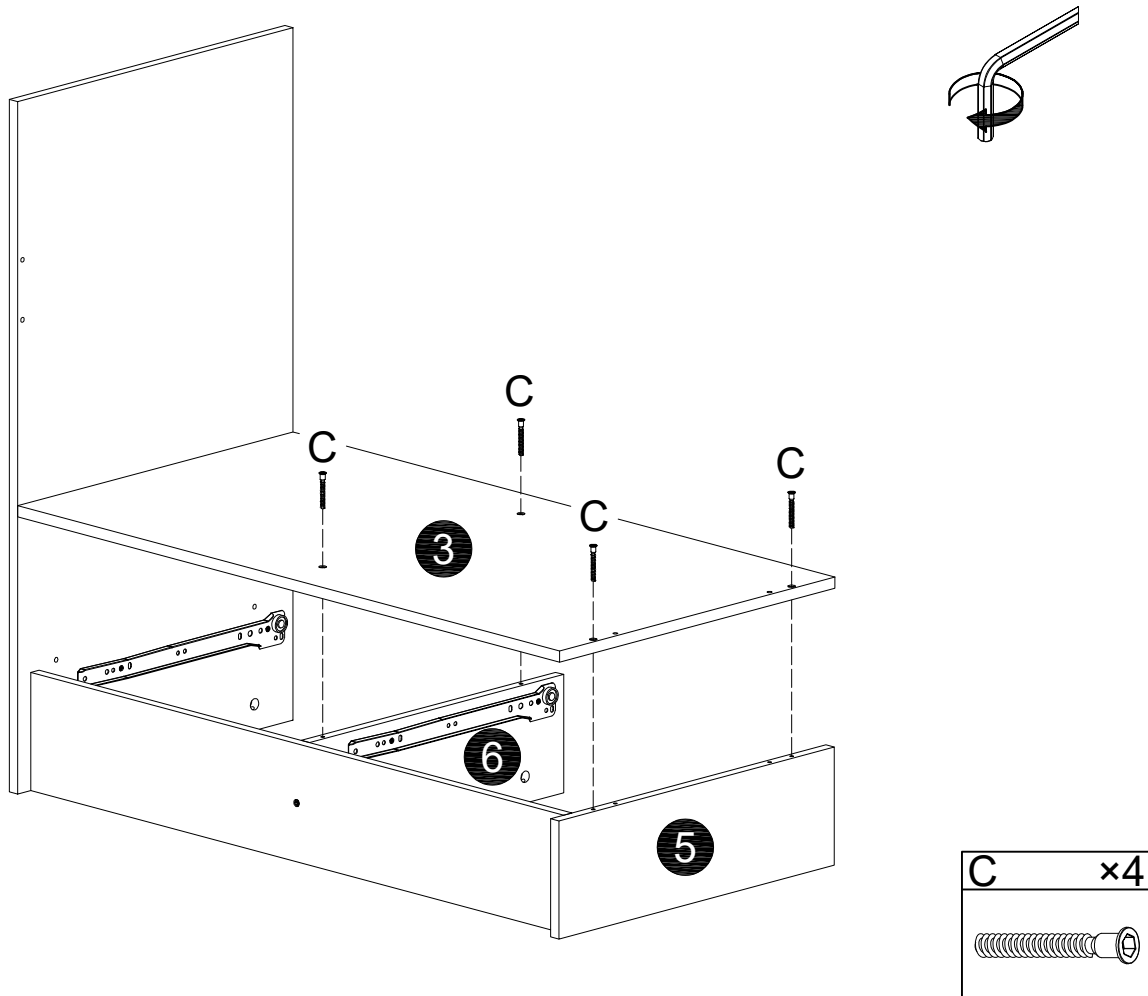
CR	
CL	

D	× 4	G	× 1
		CL	CR

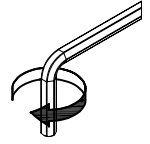
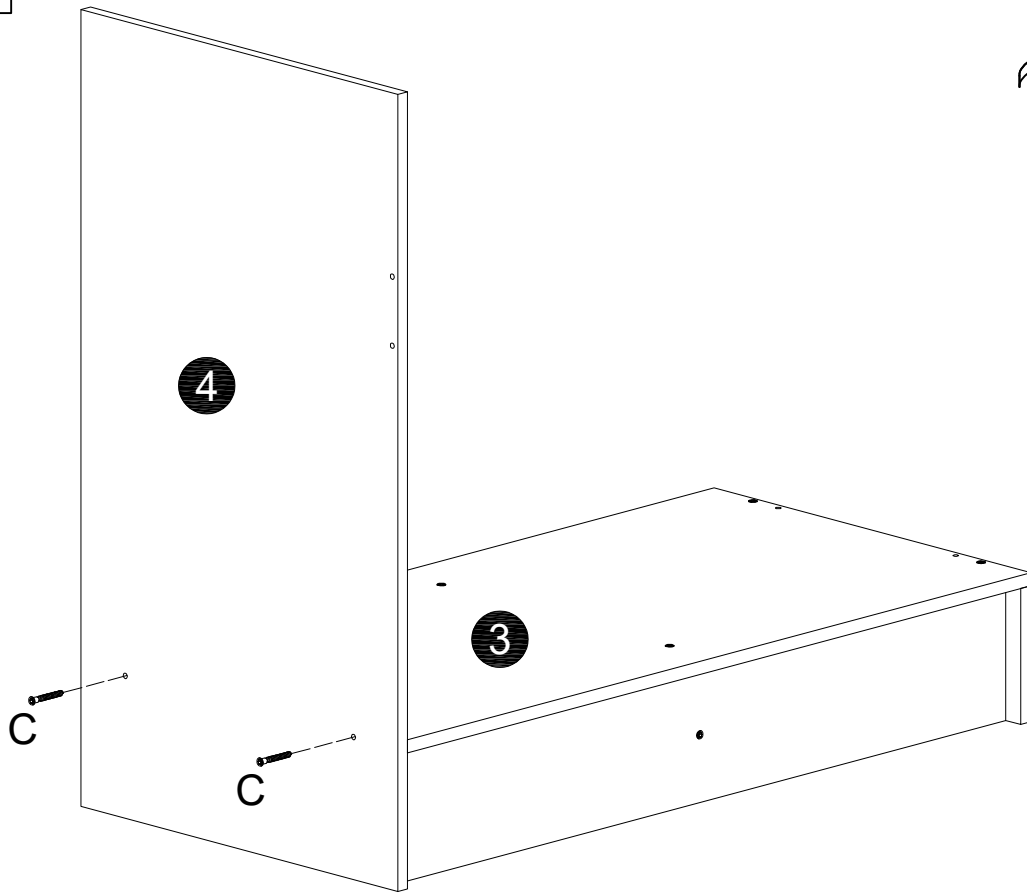
# STEP 15



# STEP 16

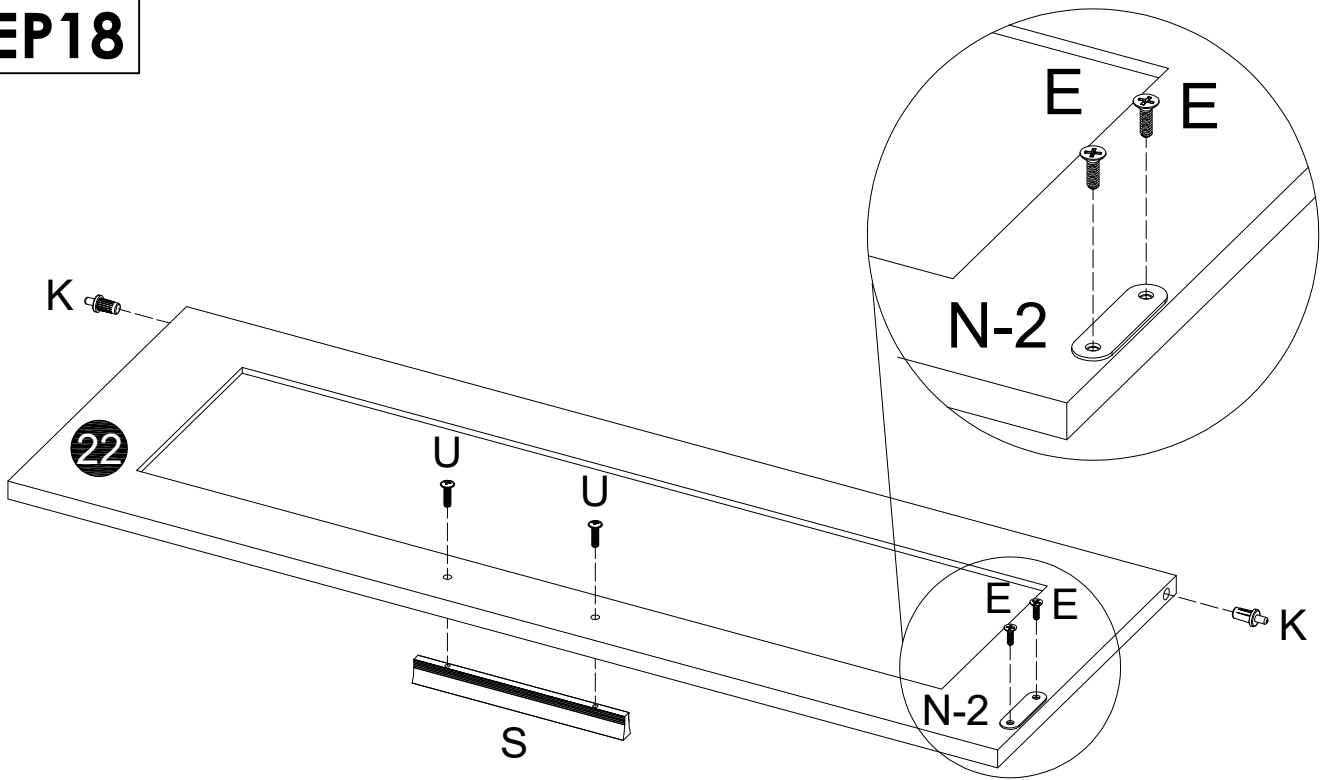


# STEP 17



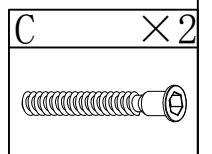
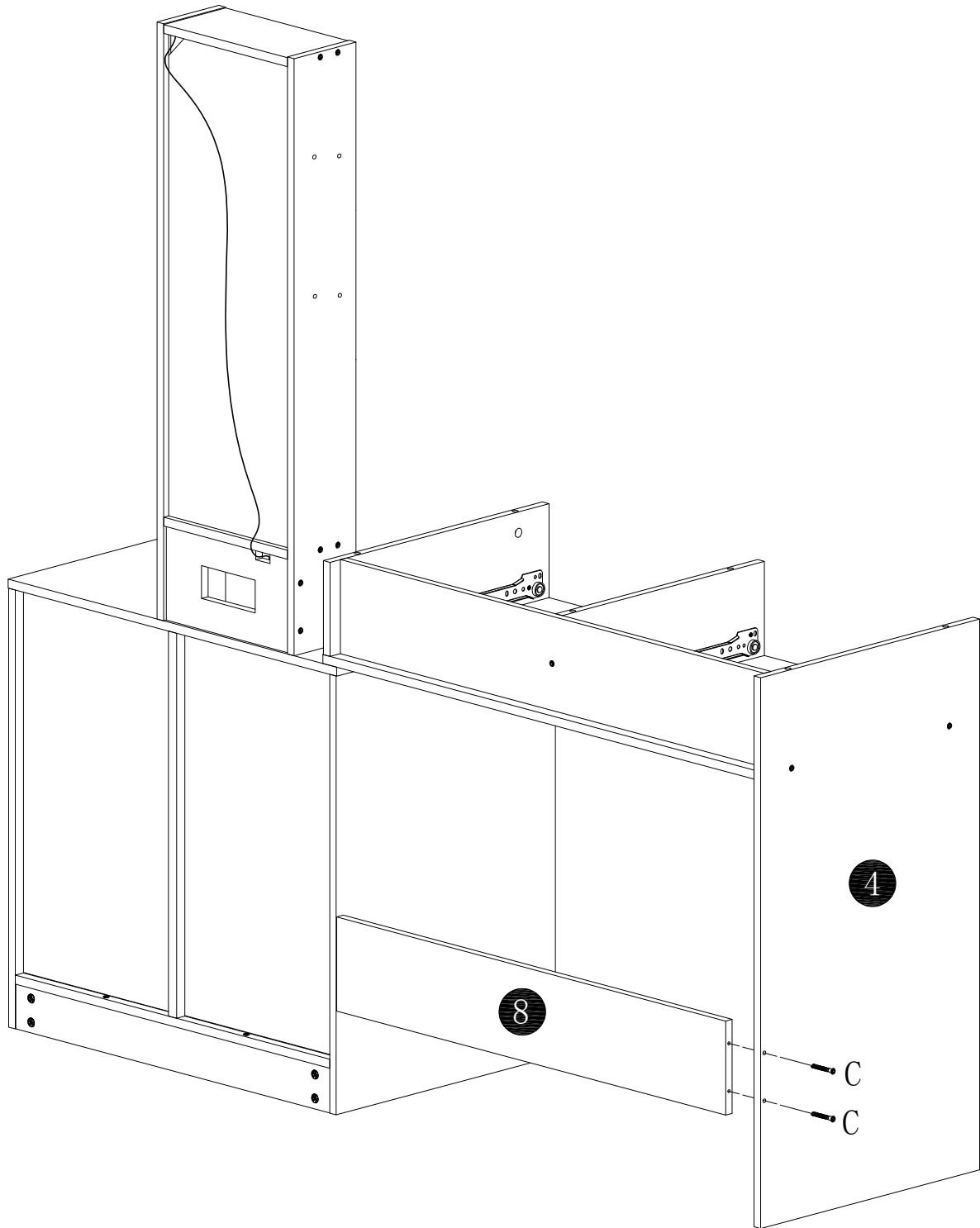
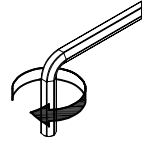
C	x2

# STEP 18

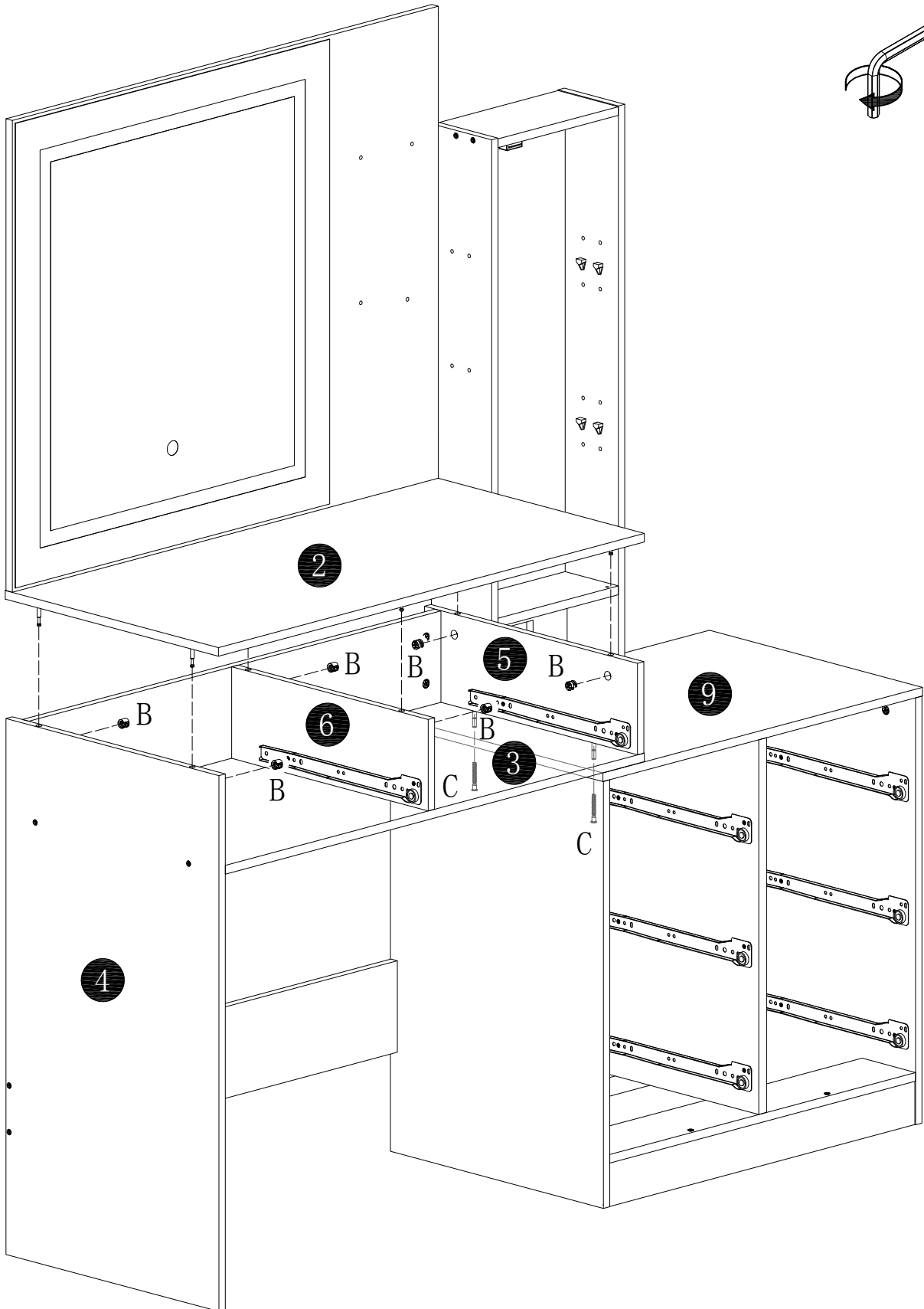
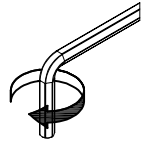
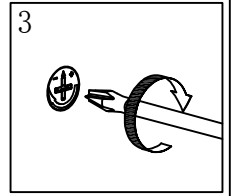
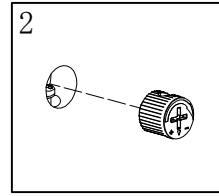
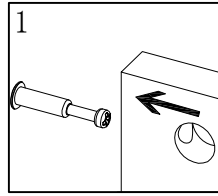


E	x2	K	x2	N-2	x1	S	x1	U	x2

# STEP19

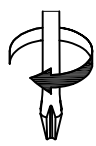
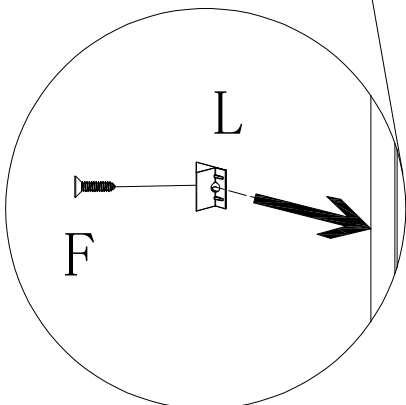
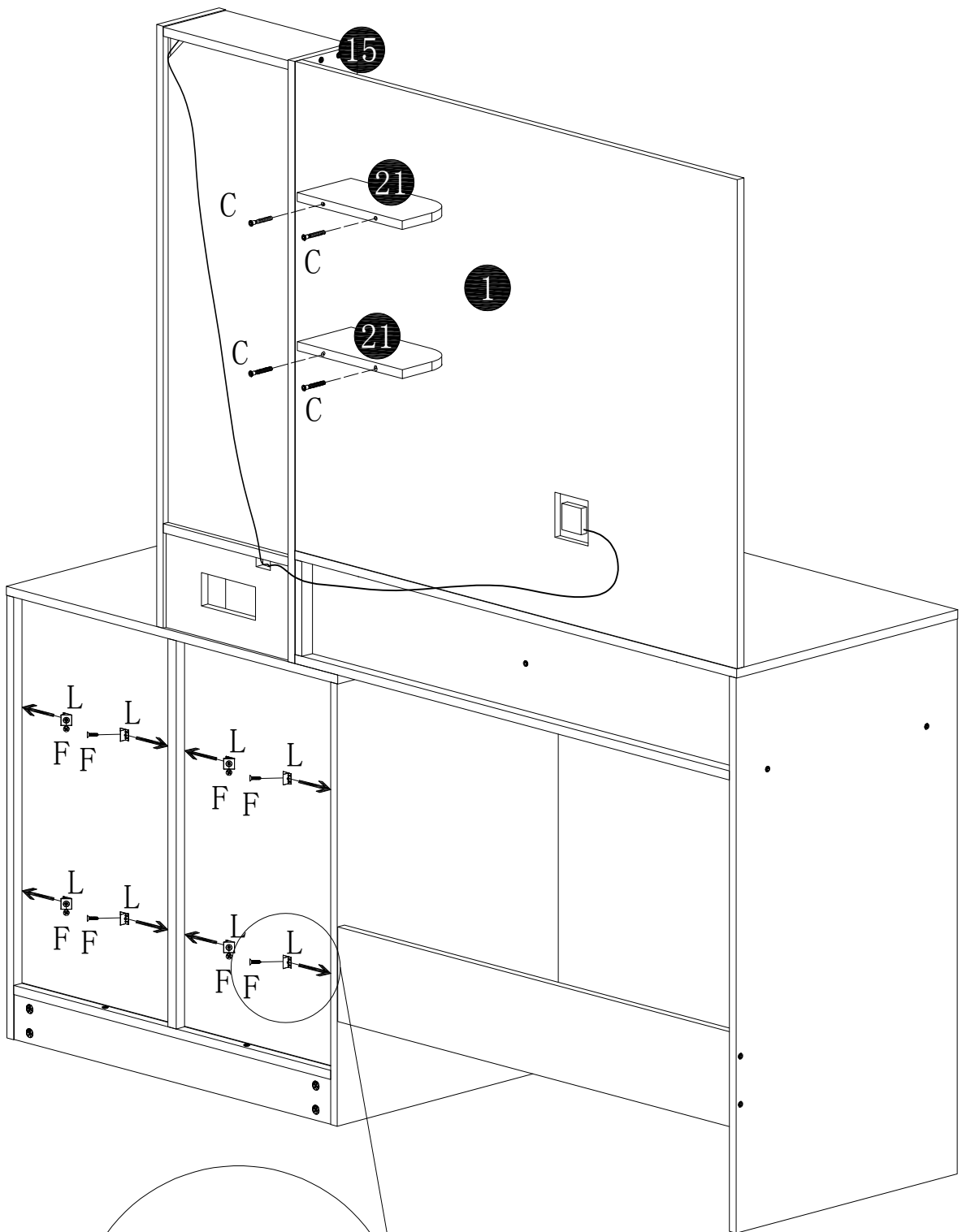
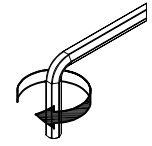


# STEP 20



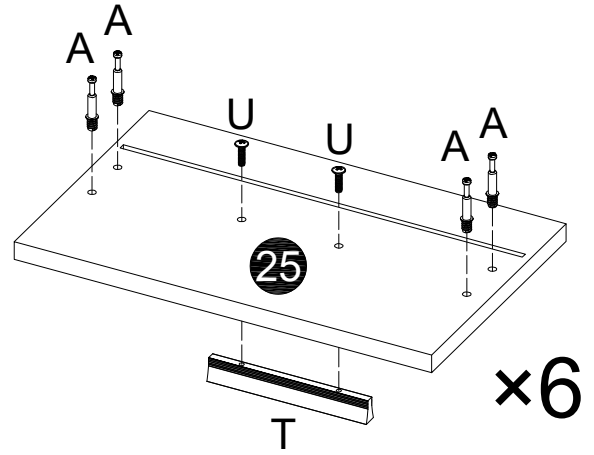
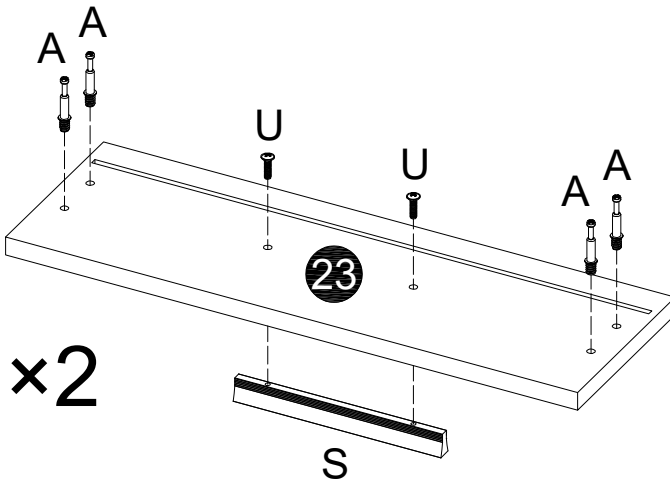
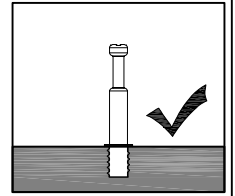
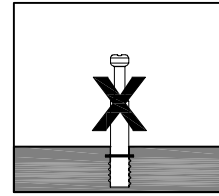
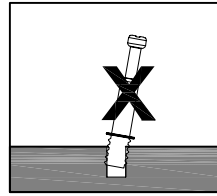
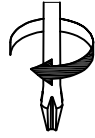
B	×6	C	×2

# STEP21



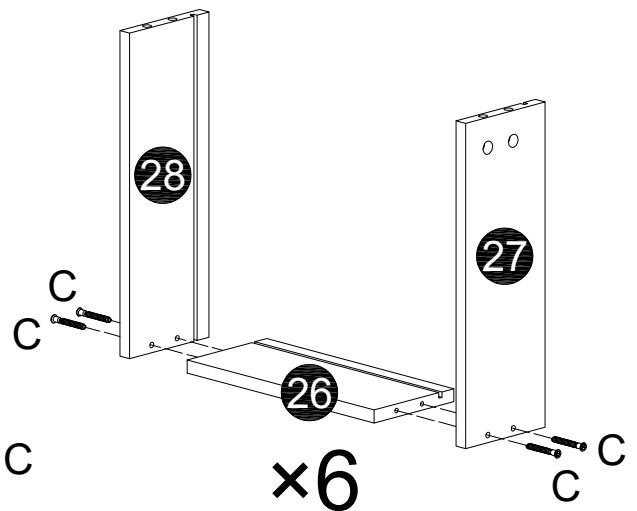
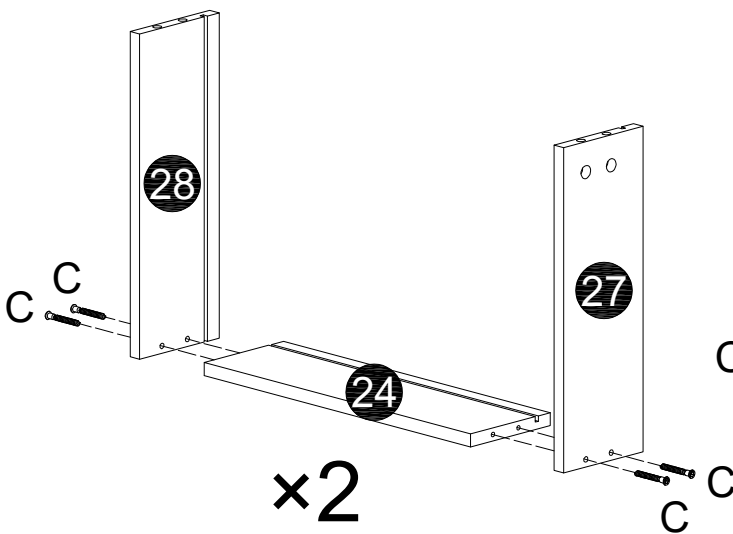
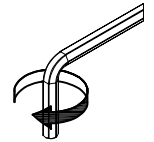
C	×8F	×8L	×8

# STEP 22



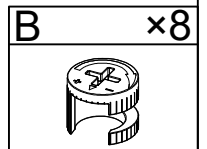
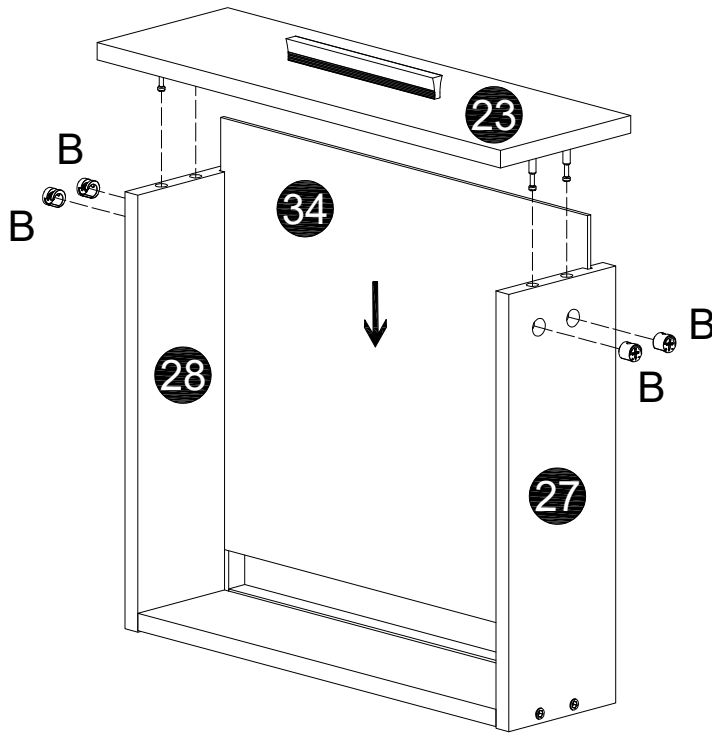
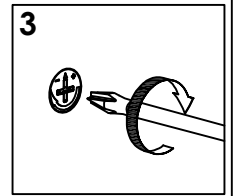
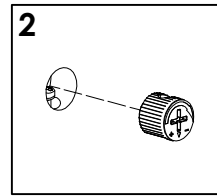
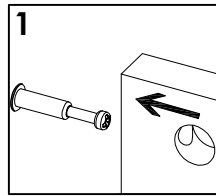
A	x32	S	x2	T	x6	U	x16

# STEP 23

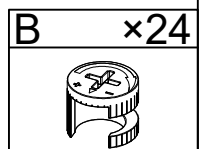
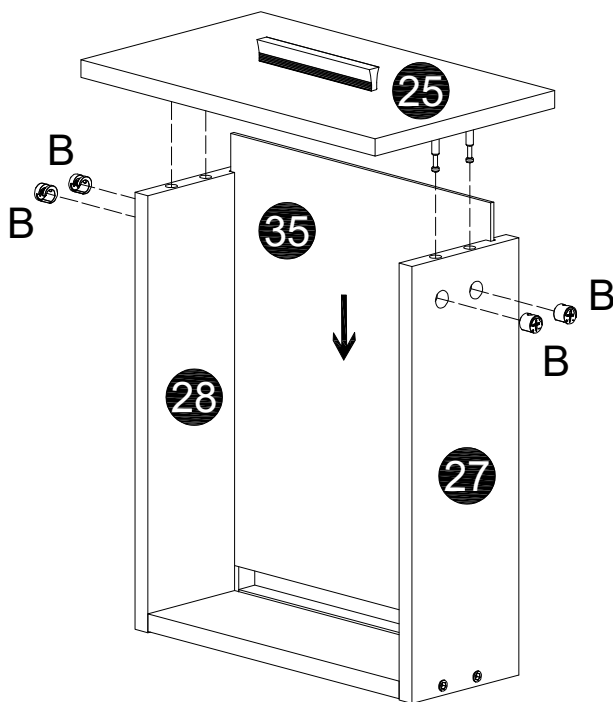
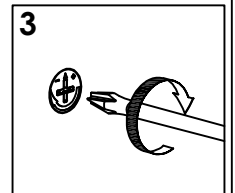
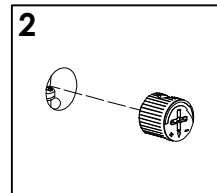
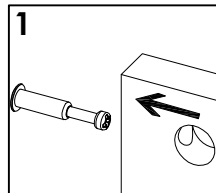


C	x32

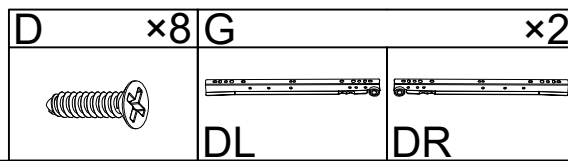
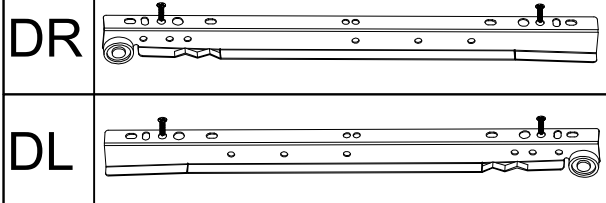
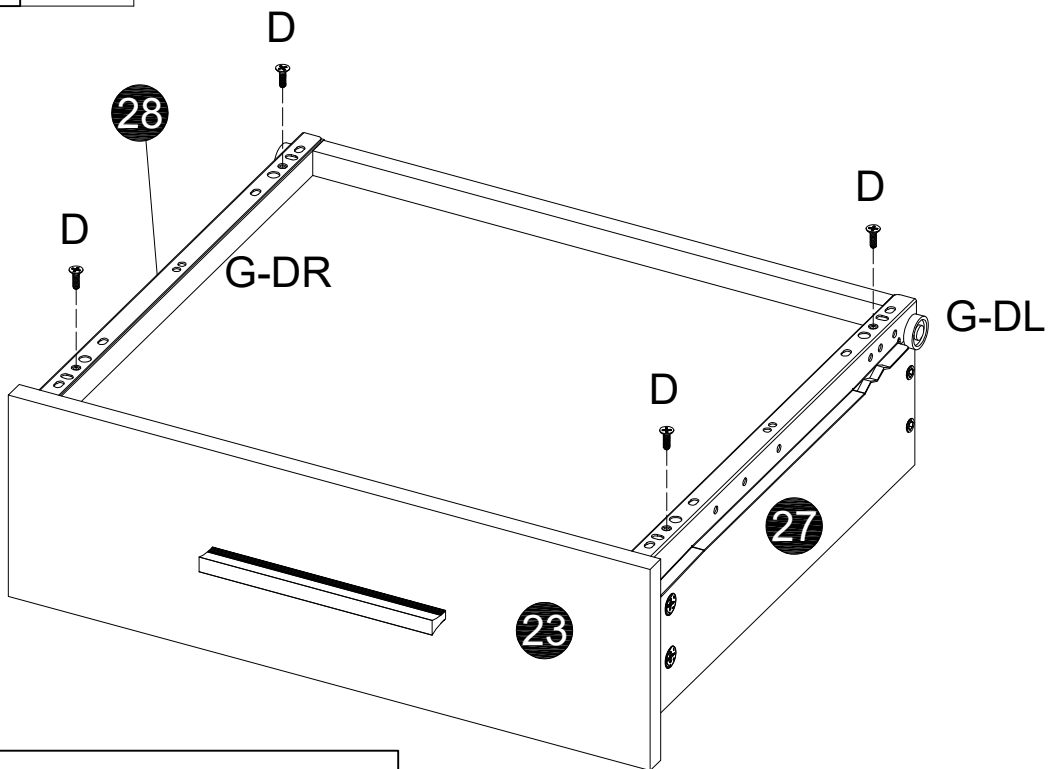
**STEP 24** ×2



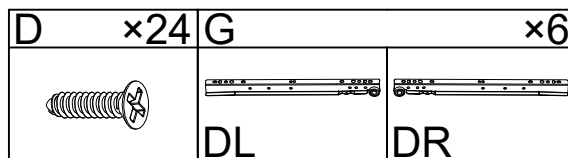
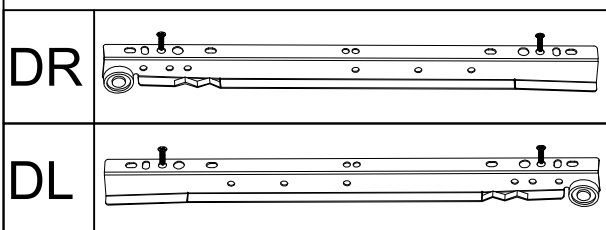
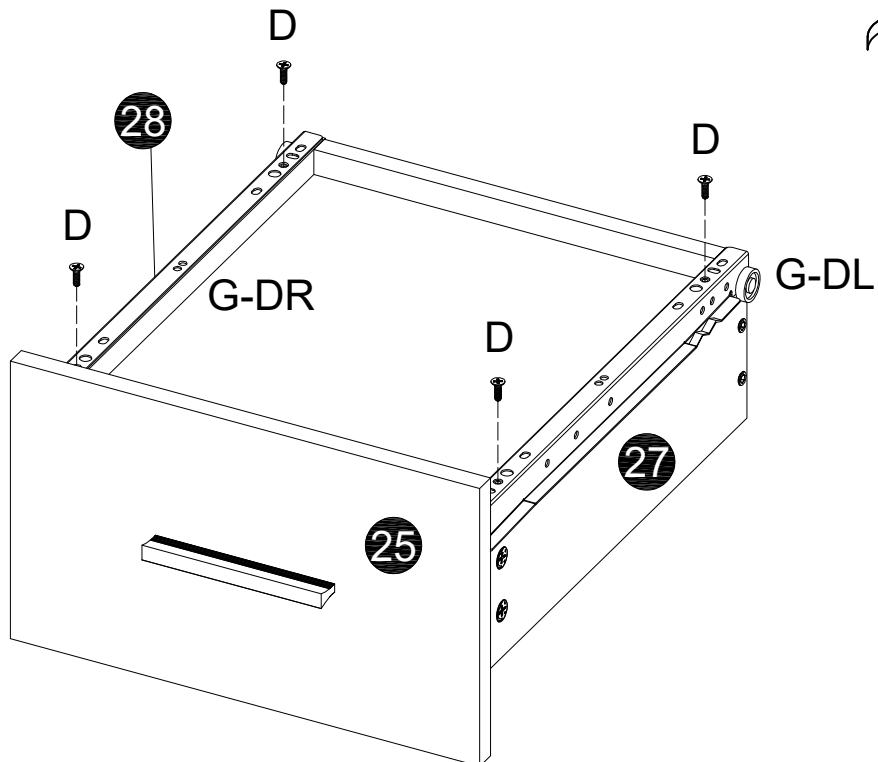
**STEP 25** ×6



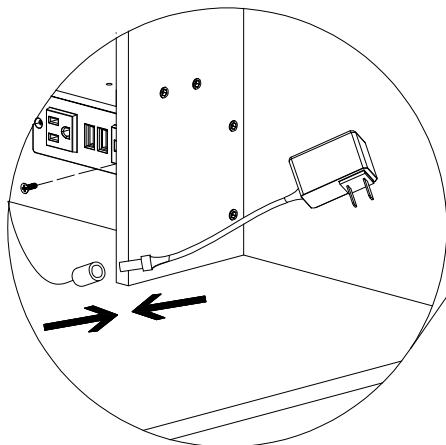
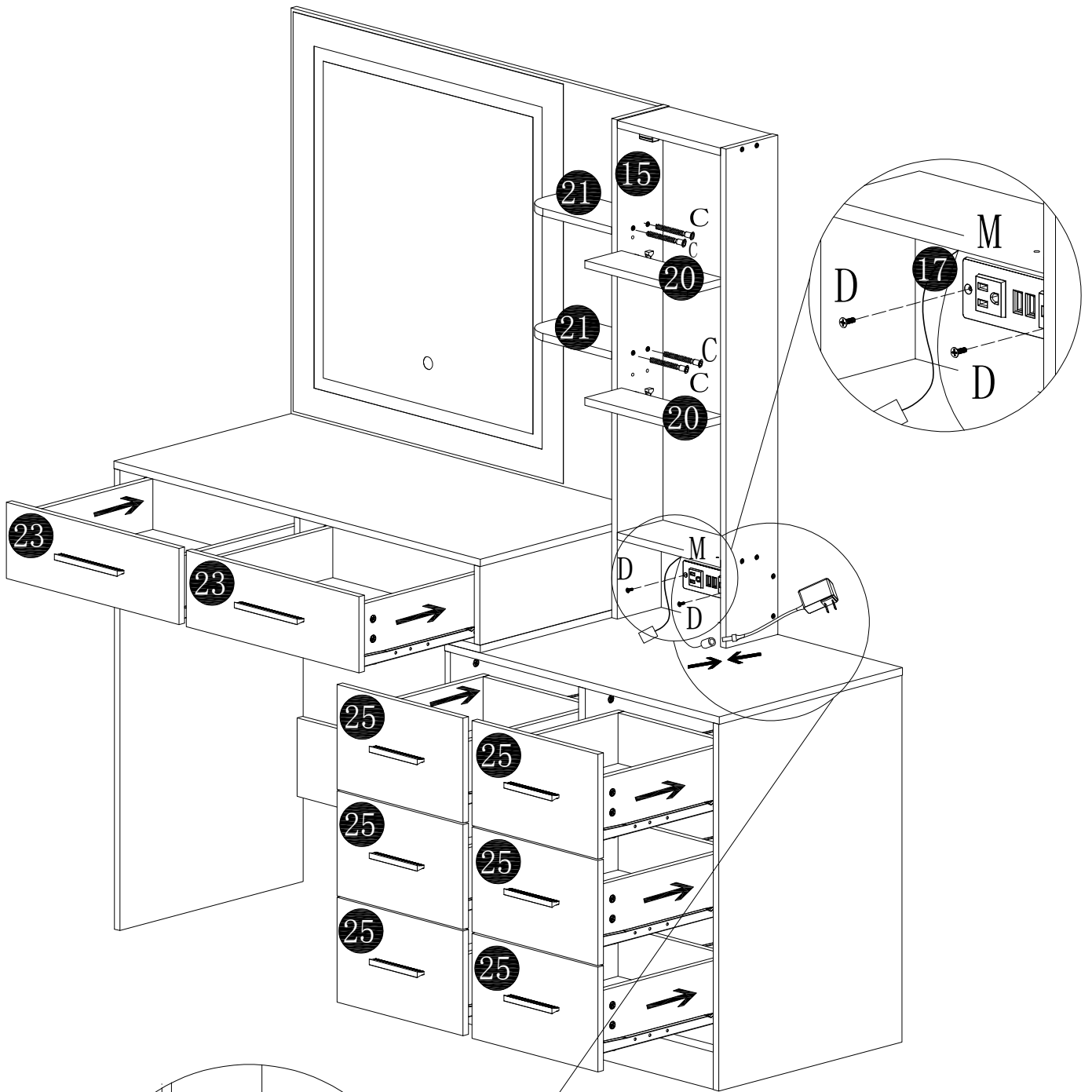
**STEP 26** ×2



**STEP 27** ×6

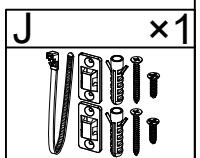
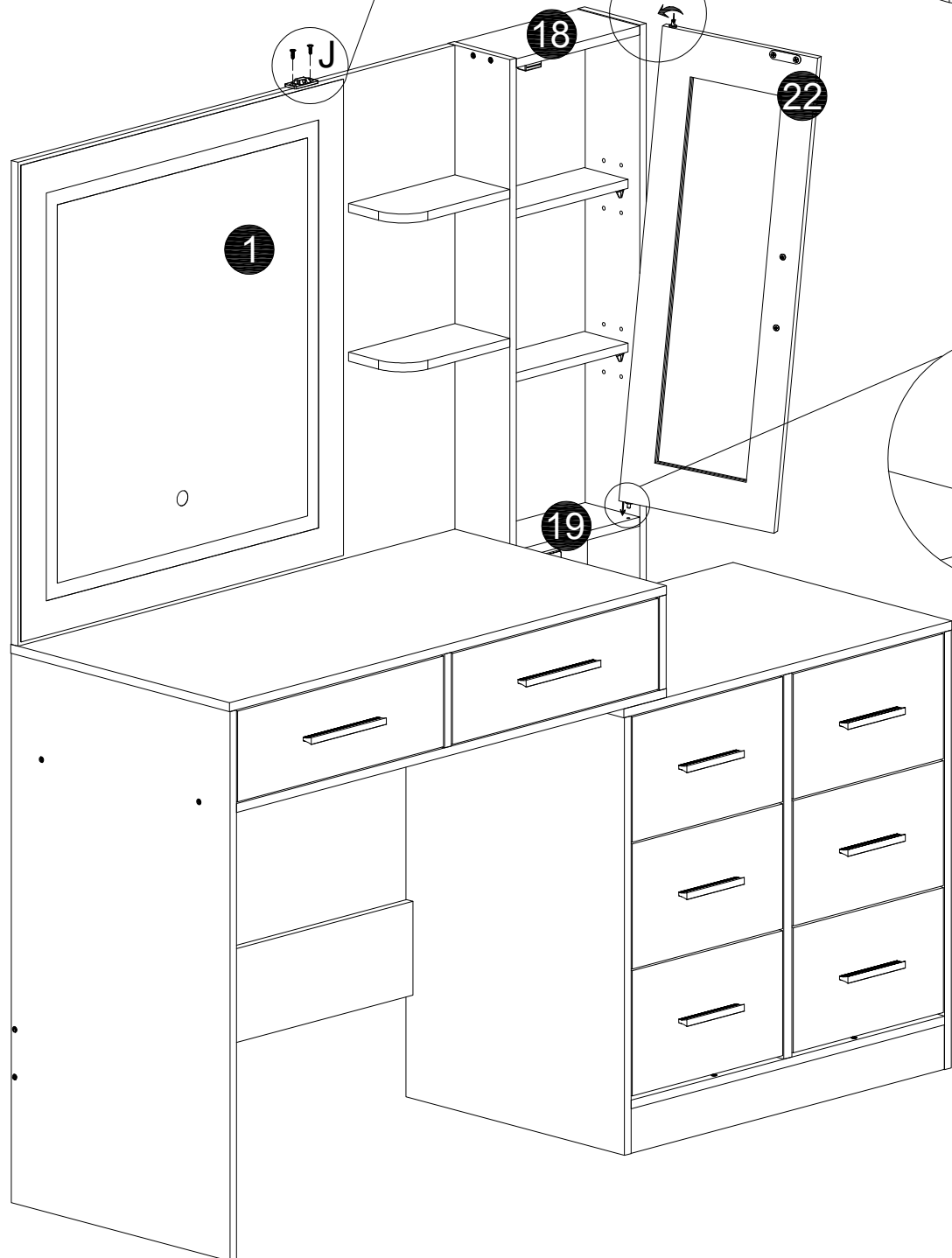
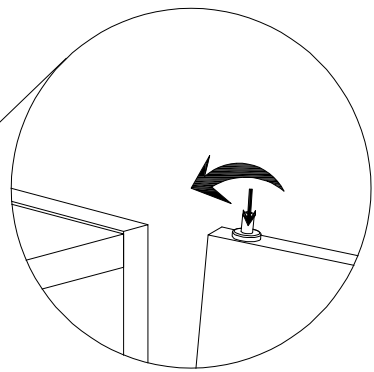
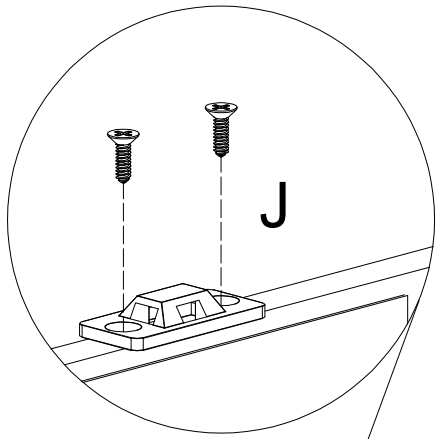
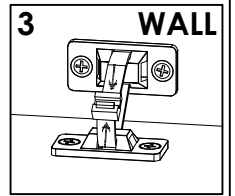
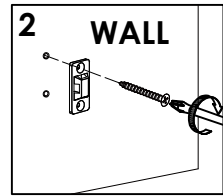
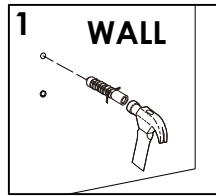


# STEP28

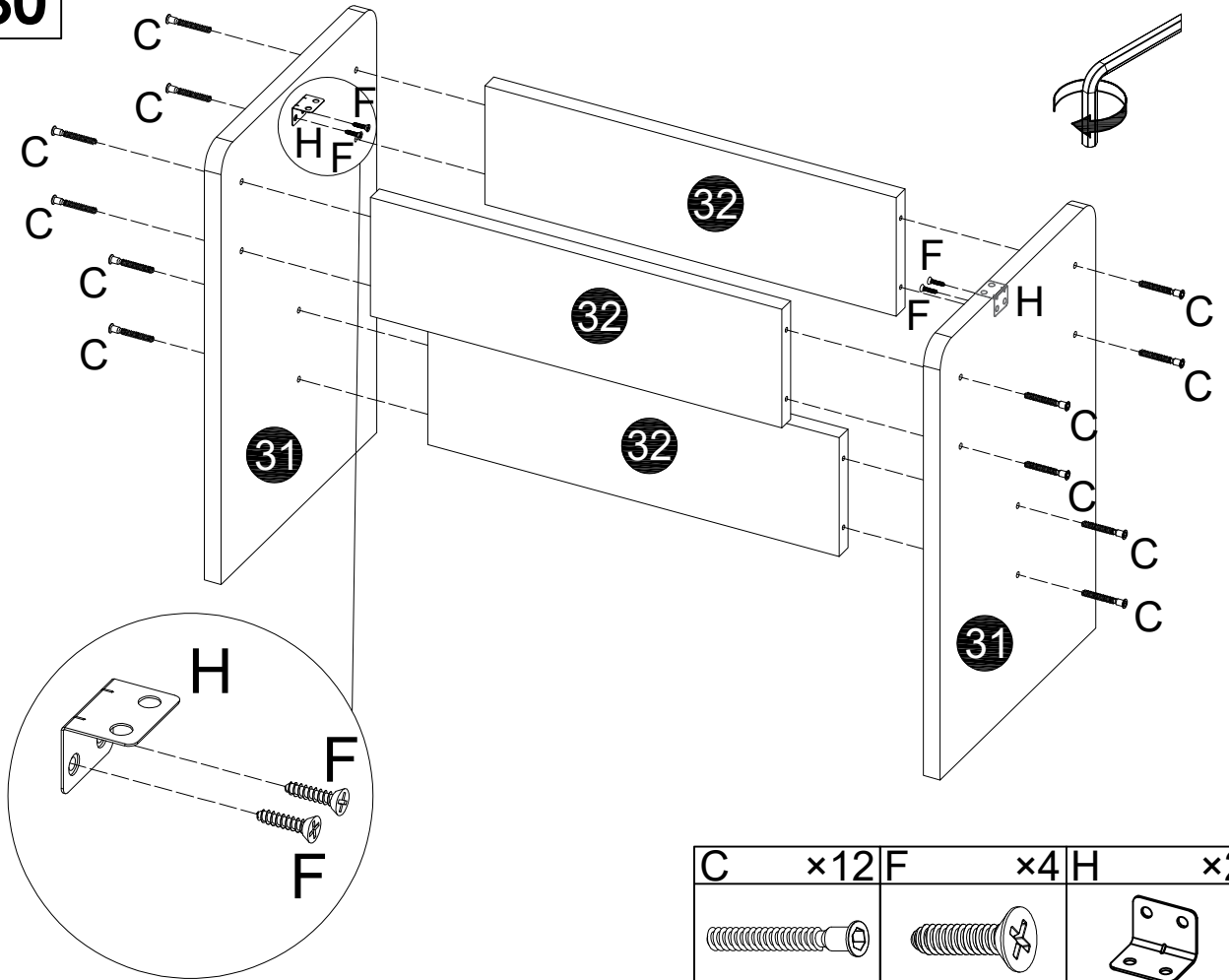





C	× 4	D	× 2	M	× 1		× 1

# STEP 29

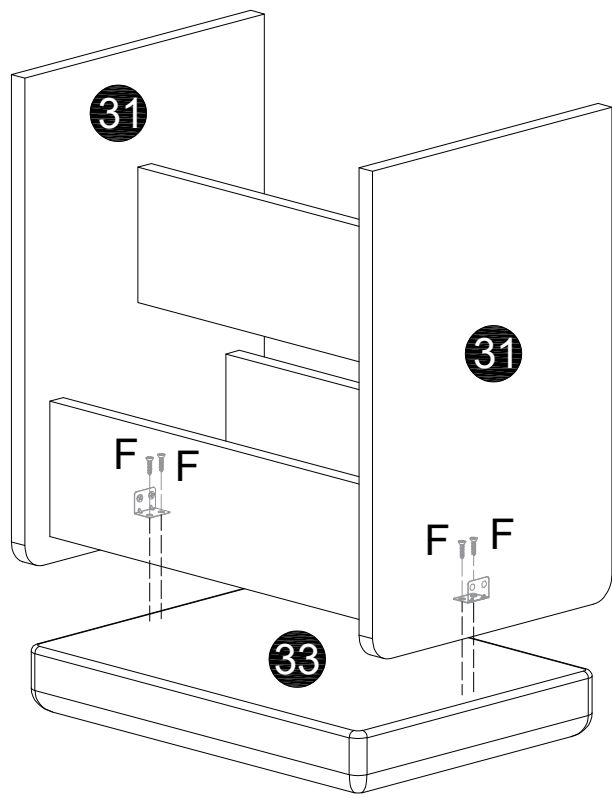


# STEP 30



C	x12	F	x4	H	x2
					

# STEP 31



F	x4
