



# **TROLLEY CART**

# SAFETY & WARNINGS

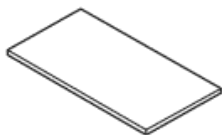
## Warning

- Read each step carefully before starting. It is very important to ensure each step is followed in correct order, otherwise assembly difficulties may occur.
- Do not sit or stand upon the tabletop.
- Make sure you have enough space to layout the parts before starting.
- We recommend that, where possible, all items are assembled near to the area in which they will be placed in use, to avoid moving the product unnecessarily once assembled.
- Keep the hand screwdrivers close at hand. Do not use power tools to assemble your furniture. They may scratch or damage the parts.

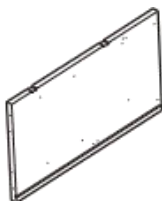
## Safety Information

- Separate and count all parts and hardware.
- Keep children and animals away from the work area small parts could choke if swallowed.
- Parts of the assembly will be easier with 2 people.
- Place the product on flat and steady surface during use.
- During assembly do not stand or put weight on the product, this could cause damage.
- Assemble on a soft level surface to avoid damaging the unit or your floor.
- Only upon completion of the assembly should all fixing points be fully tightened.
- Regularly check and ensure that all bolts and fittings are tightened properly.

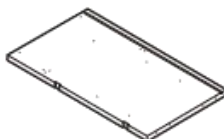
# COMPONENTS



①: Tabletop (x1)



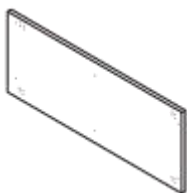
②: Left Side (x1)



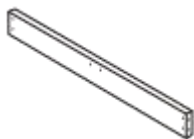
③: Center (x1)



④: Right Side (x1)



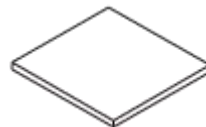
⑤: Bottom (x1)



⑥: Drawer Support (x1)



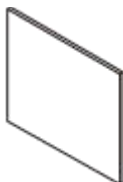
⑦: Middle Divider (x2)



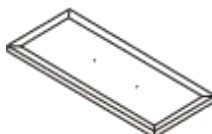
⑧: Shelf (x2)



⑨: Back (x2)



⑩: Drawer Bottom (x2)



⑪: Front Panel (x2)



⑫: Left Panel (x2)



⑬: Right Panel (x2)



⑭: Back Panel (x2)



⑮: Left Door (x2)



⑯: Right Door (x2)



⑰: Towel Rack  
(x2)



A: Cam Bolt (x30)  
M6 x 35mm



B: Cam Lock (x30)  
M10 x 15mm



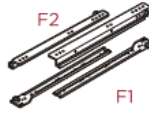
C: Dowel (x12)  
M6 x 30mm



D: Screw (x52)  
M3 x 12mm



E: Screw (x8)  
M4 x 30mm



F: Slider (L/R)  
(x2 Sets)



G: Handle (x6)



H: Screw (x12)  
M4 x 20mm



I: Screw (x6)  
4 x 35mm



J: Locking Caster  
(x4)



K: Screw (x16)  
M4 x 12mm



L: Screw (x4)  
M4 x 35mm



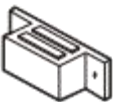
M: Hinge (x8)



N: Metal Plate  
(x4)



O: Peg (x8)



P: Magnet (x2)

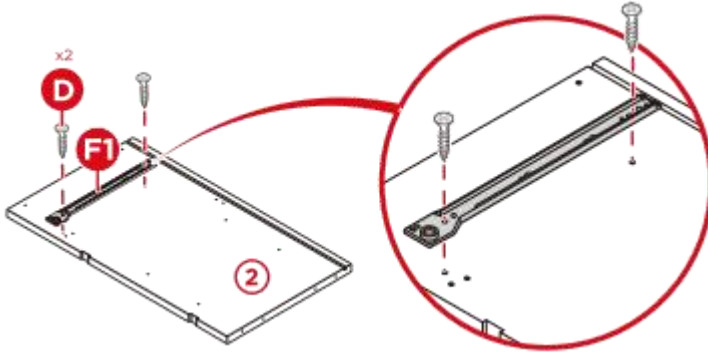


Q: Screw (x4) (M3 x 14mm)

# INSTALLATION

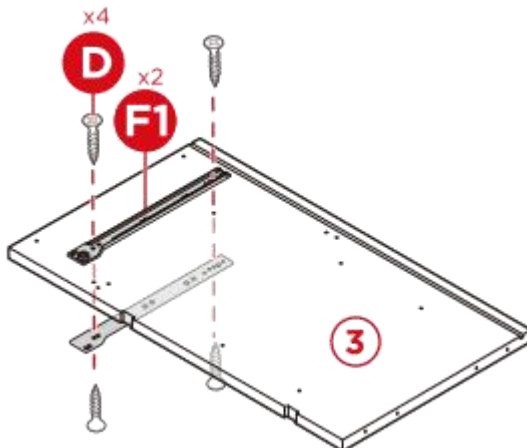
## Step 1

Attach a slider set (F) to the left side (②) with screws (D).



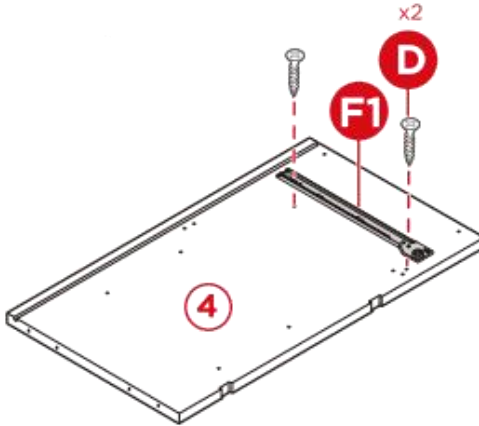
## Step 2

Attach slider sets (F1) to the center piece (③) with screws (D). Attach one railing on each side as shown in the picture.



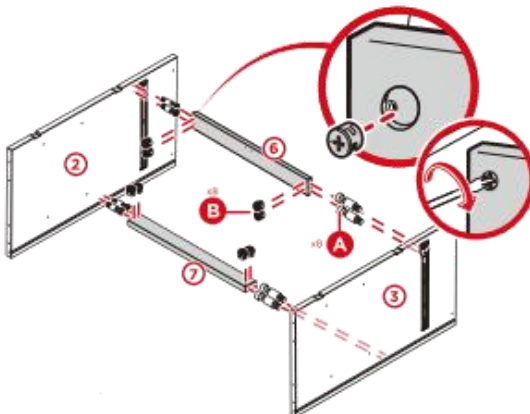
### Step 3

Attach a railing (F1) from slider set to the right side (④) with screws (D).



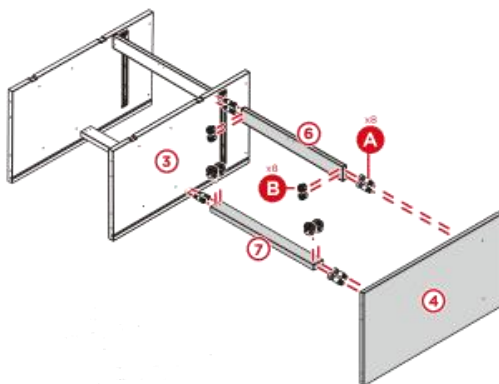
### Step 4

Attach the drawer support (⑥) and middle divider (⑦) to the left side (②) with cam bolts (A) and cam locks (B). Attach a center piece (③) to the drawer support (⑥) and middle divider (⑦) with cam bolts (A) and cam locks (B).



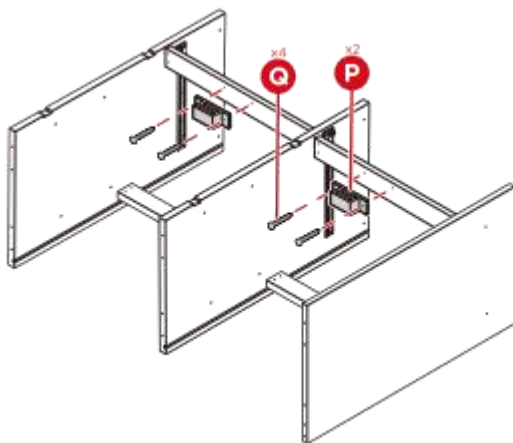
## Step 5

Repeat to attach the drawer support (⑥) and middle divider (⑦) to the other side of center piece (③) and right side (④).



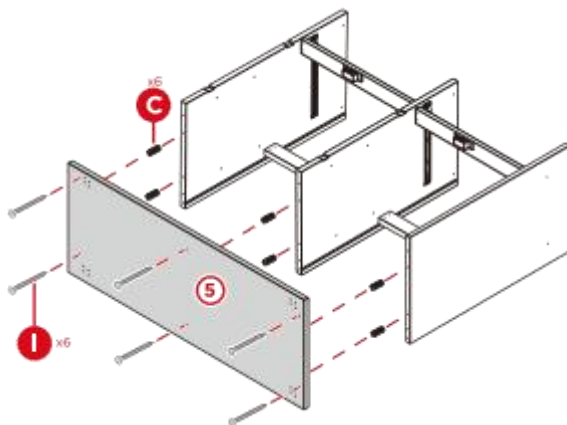
## Step 6

Attach magnets (P) to the drawer support with screws (Q).



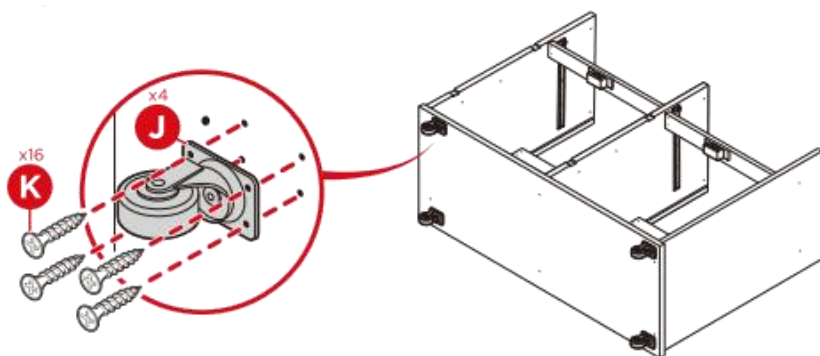
## Step 7

Attach the bottom piece (5) to the assembled frame of step 6 with screws (I) and dowels (C).



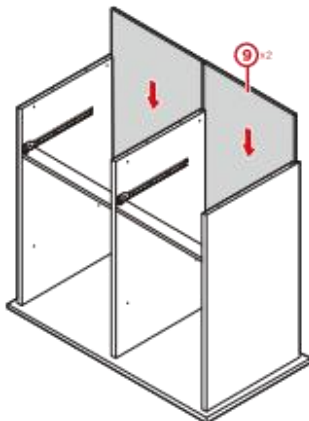
## Step 8

Attach four casters (J) to the bottom of the trolley cart with screws (K).



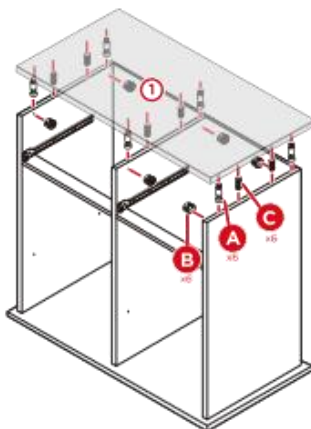
## Step 9

Stand the cart upright and slide in two back pieces (9).



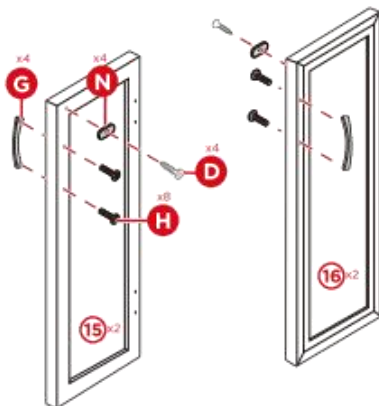
## Step 10

Attach the tabletop (1) to the assembled frame of step 9 with cam bolts (A), dowels (C) and cam locks (B). Turn the cam locks (B) to secure the tabletop (1).



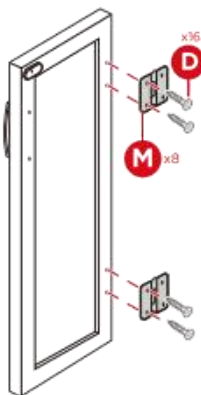
## Step 11

Attach a handle (G) to the left door (15) with screws (H). Attach a metal plate (N) to the left door (15) with screws (D). Repeat to attach handles (G)/metal plates (N) to another left door (15) and two right doors (16).



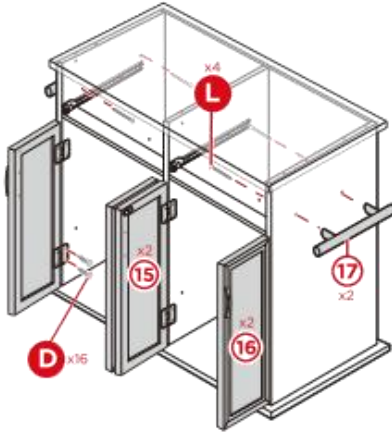
## Step 12

Attach hinges (M) to the left (15)/right doors (16) with screws (D) as shown in the picture.



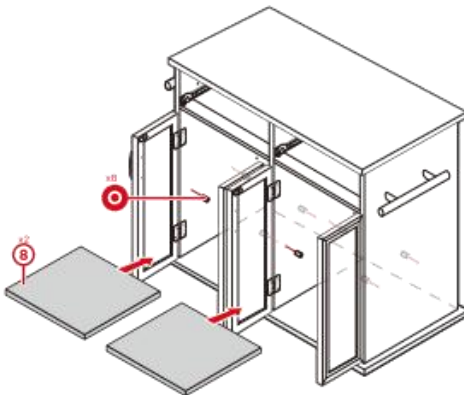
### Step 13

Attach a left door (15) and a right door (16) to the trolley cart with screws (D). Repeat to attach the other set of doors. Attach two towel racks (17) with screws (L) as shown.



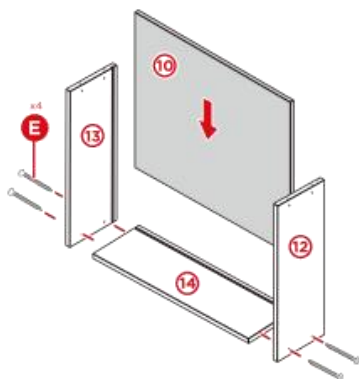
### Step 14

Insert pegs (O) into the interior of the cart, then slide in two shelves (8).



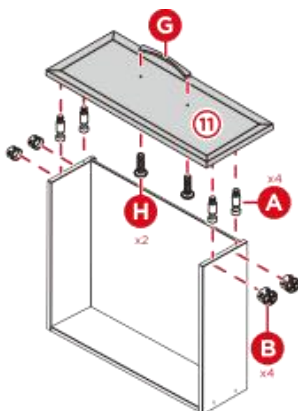
## Step 15

Attach a left panel (12) and a right panel (13) to the back panel (14) with screws (E). Slide in a drawer bottom (10).



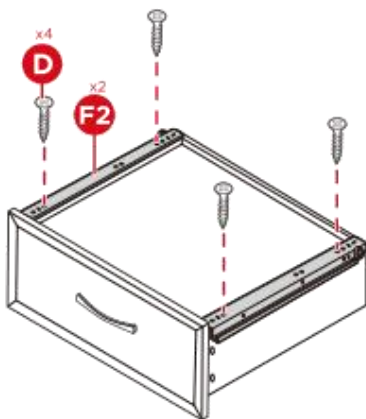
## Step 16

Attach a handle (G) to the front panel (11) with screws (H). Attach the front panel (11) to the drawer with cam bolts (A) and cam locks (B). Turn the cam locks (B) to secure the front panel (11).



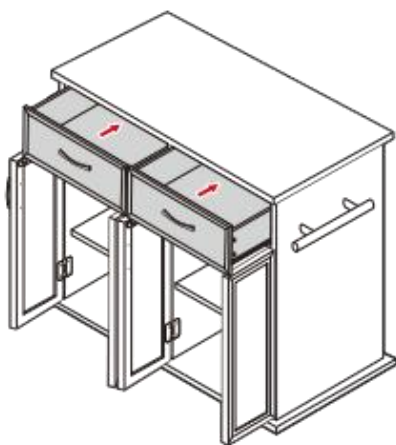
### Step 17

Attach two railings from slider set (F) to the drawer with screws (D). Repeat steps 15 to 17 to assemble another drawer.



### Step 18

Insert the drawers by lining up the railings on the slider sets.



# CLEANING & CARE

- Use a soft, clean cloth that will not scratch the surface when dusting.
- Use of furniture polish is not necessary. Should you choose to use polish, test first in an inconspicuous area.
- Using solvents of any kind on your furniture may damage the finish.
- Never use water to clean your furniture as it may cause damage to the finish.
- Liquid spills should be removed immediately. Using a soft clean cloth, blot the spill gently. Avoid rubbing.
- Check bolts/screws periodically and tighten them if necessary.
- This product should not be discarded with household waste. Take to your local authority waste disposal centre.