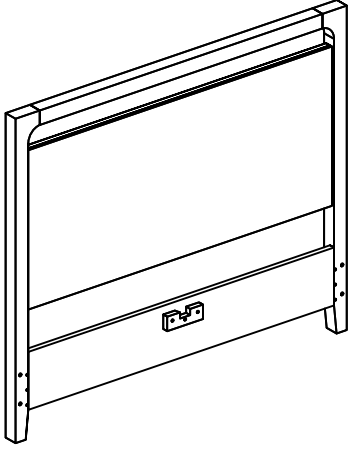
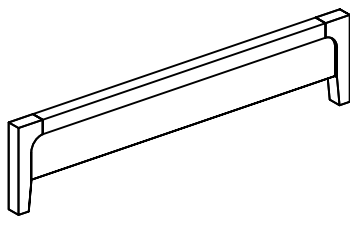
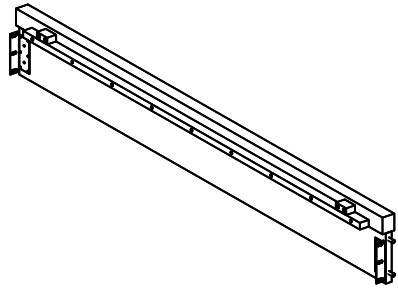

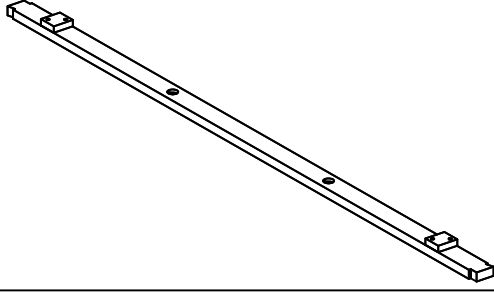
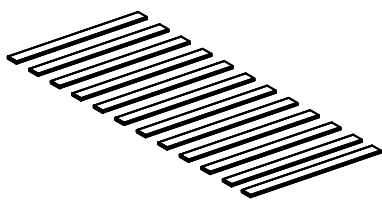


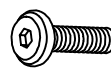
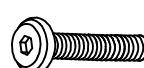
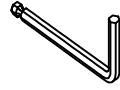
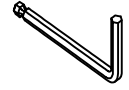


ASSEMBLY INSTRUCTIONS

SKU# 54010254 / 54010256

| S.No. | PARTS LIST | | | | |
|-------|----------------------|---|--|------------------|---|
| A. | HEADBOARD x1 |  | <p>Before Beginning</p> <ol style="list-style-type: none"> 1 - Carefully unpack and position the item on a clean, non-marring surface to assemble. 2 - Read this Assembly Instructions from beginning to end before starting to assemble. 3 - Take an inventory of the required parts to ensure all are available. 4 - To prevent accidental choking hazards, keep all packing materials away from small children. 5 - Only tighten hardware until ALL hardware are fully engaged on their locations. Overtighten bolts will damage the bolt threads. 6 - Use only factory provided hardware to assemble. Unapproved hardware can damage product or jeopardize the structural integrity of the product. 7 - The use of power tool to assemble is not recommended due to high risk of over-torque, which can damage the product. | | |
| B. | FOOTBOARD x1 |  | | | |
| C. | SIDE RAIL x2 |  | E. | CENTER LEG x2 |  |
| D. | CENTER SUPPORT x1 |  | F. | LVL x2 |  |

| | | Z1 | Z2 | Z3 | Z4 | Z5 | Z6 |
|---|----------|--|--|---|---|---|---|
| Z | HARDWARE |  Ø25 x Ø10MM x 14 |  Ø15 x Ø10MM x 14 |  M6 x 30MM x12 |  M8 x 40MM x2 |  5mm x 110mm x 1 |  4mm x 110mm x 1 |



TWO PEOPLE



15-MINUTE
ASSEMBLY TIME

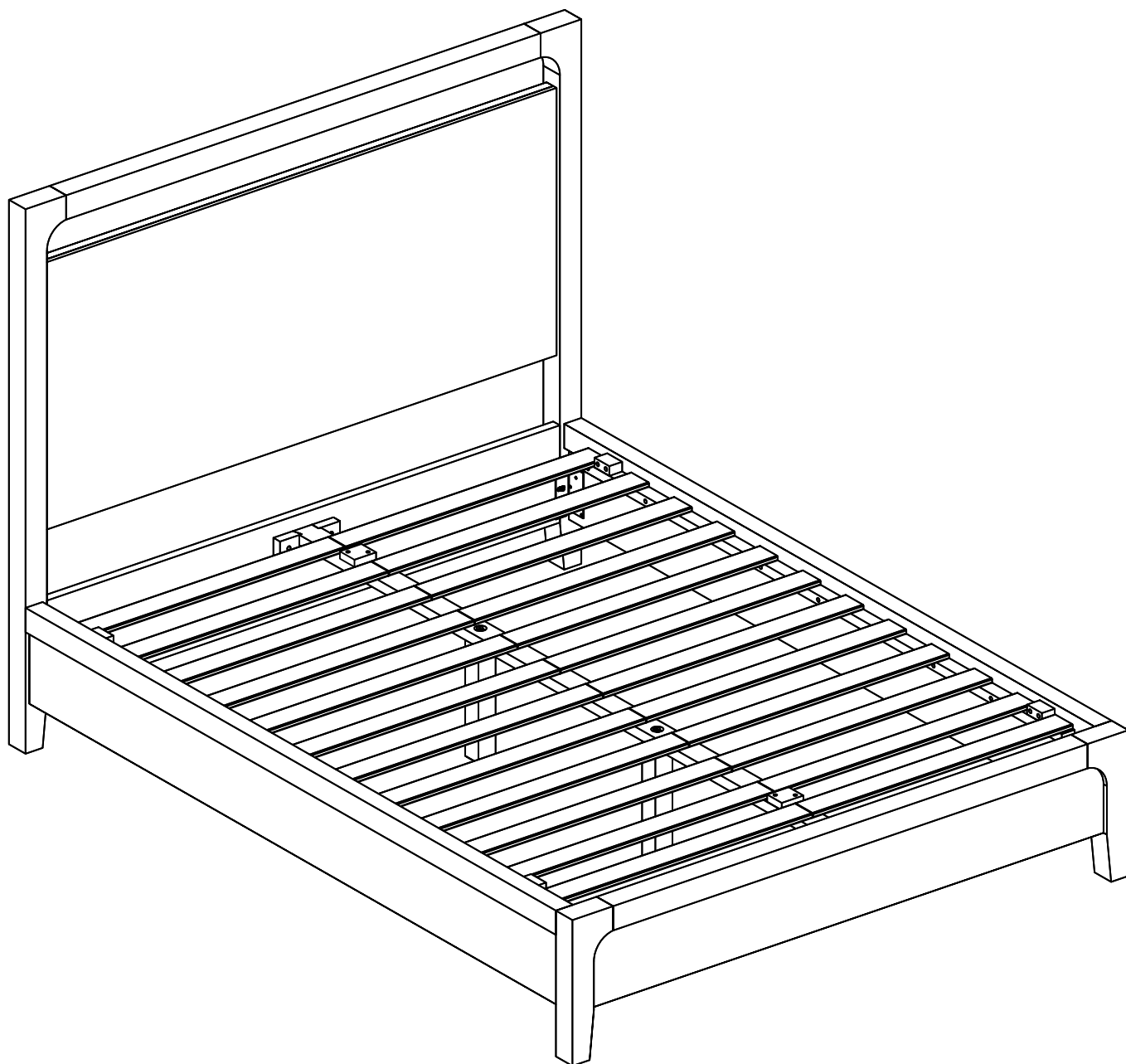


KEEP INSTRUCTIONS
FOR FUTURE USE



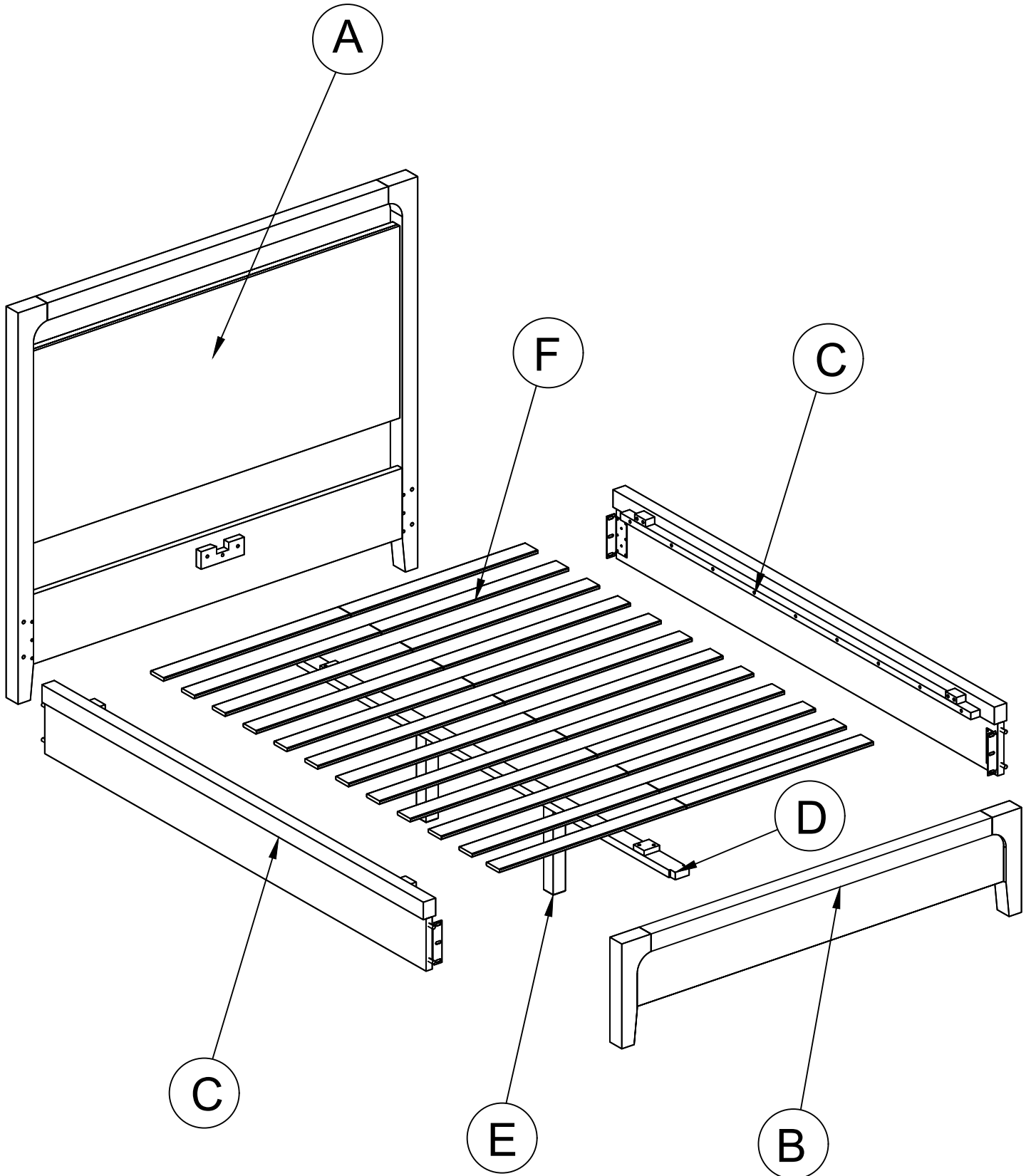
ASSEMBLY INSTRUCTIONS

SKU# 54010254 / 54010256



ASSEMBLY INSTRUCTIONS

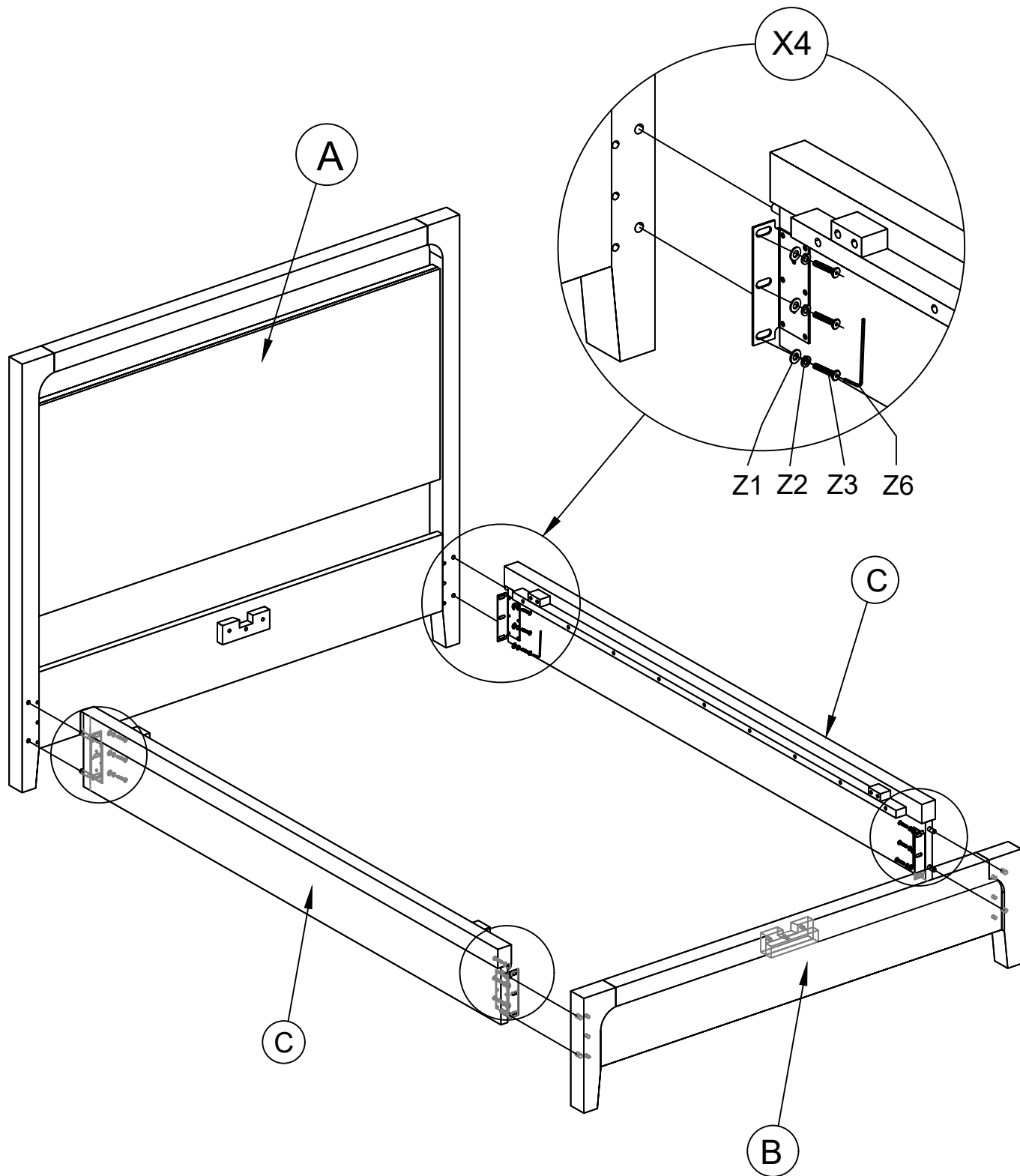
SKU# 54010254 / 54010256



ASSEMBLY INSTRUCTIONS

SKU# 54010254 / 54010256

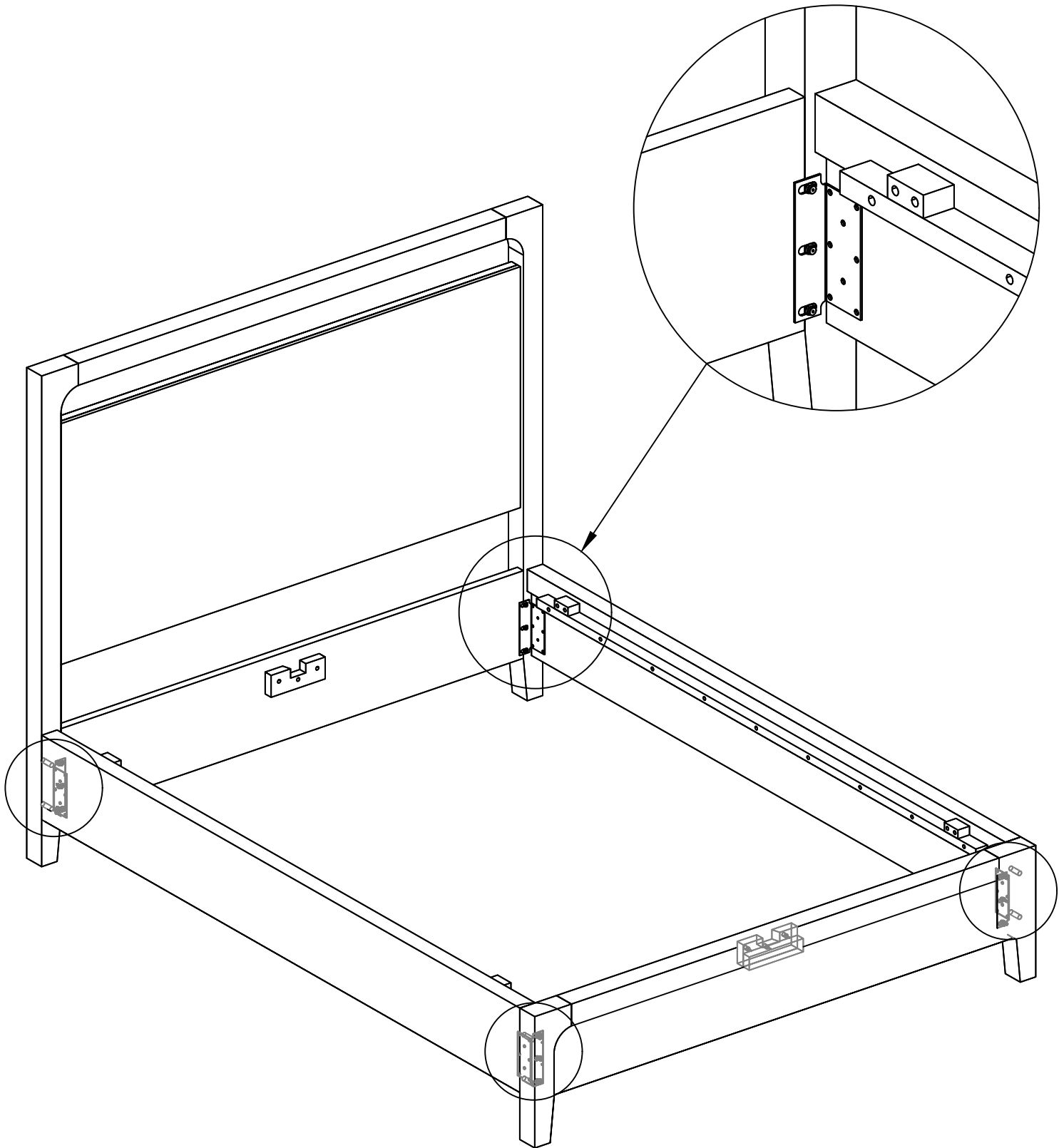
1



ASSEMBLY INSTRUCTIONS

SKU# 54010254 / 54010256

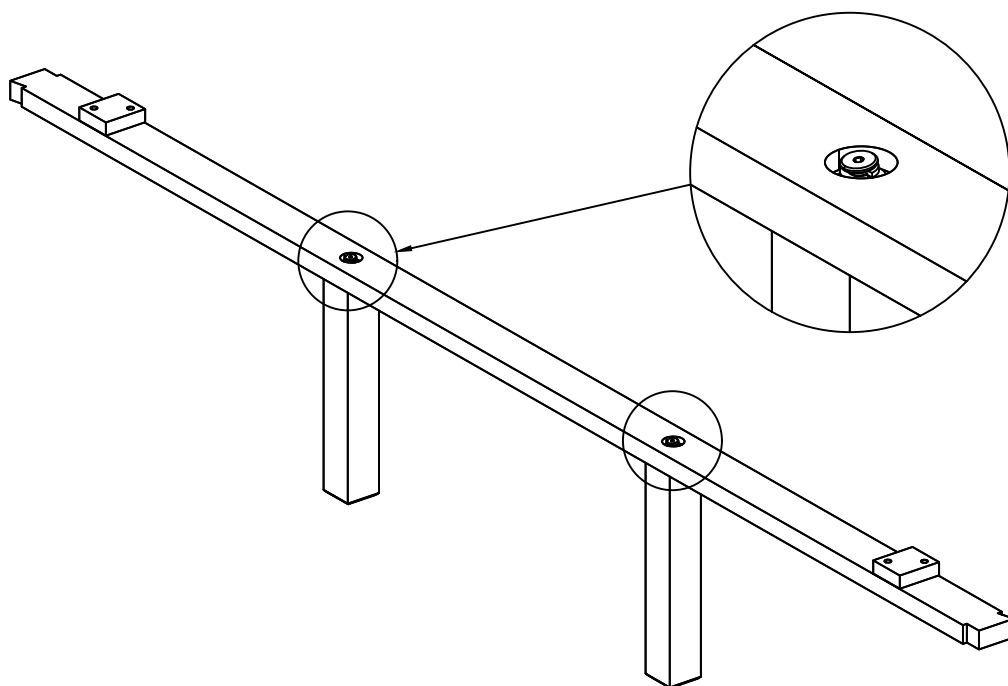
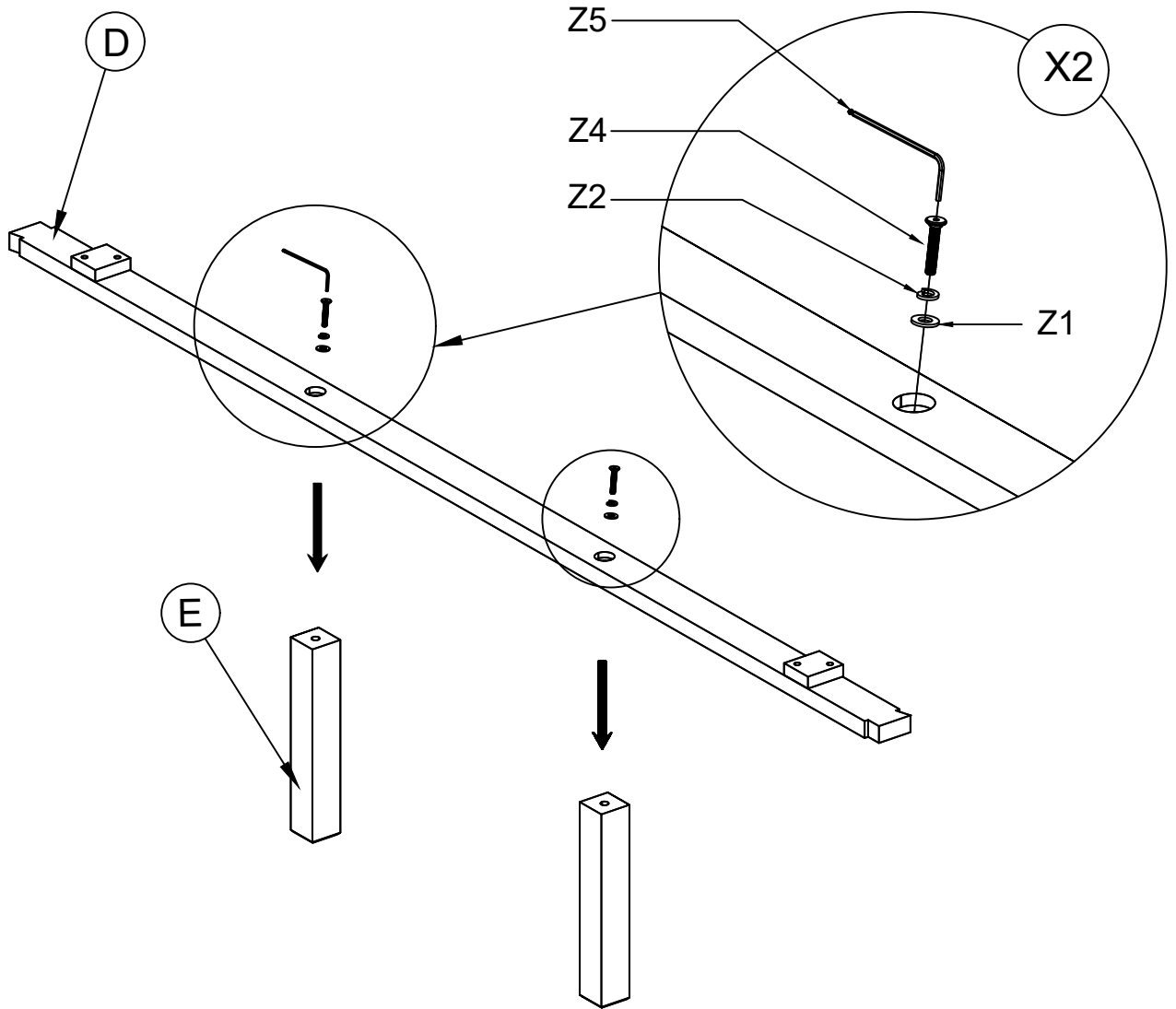
2



ASSEMBLY INSTRUCTIONS

SKU# 54010254 / 54010256

3

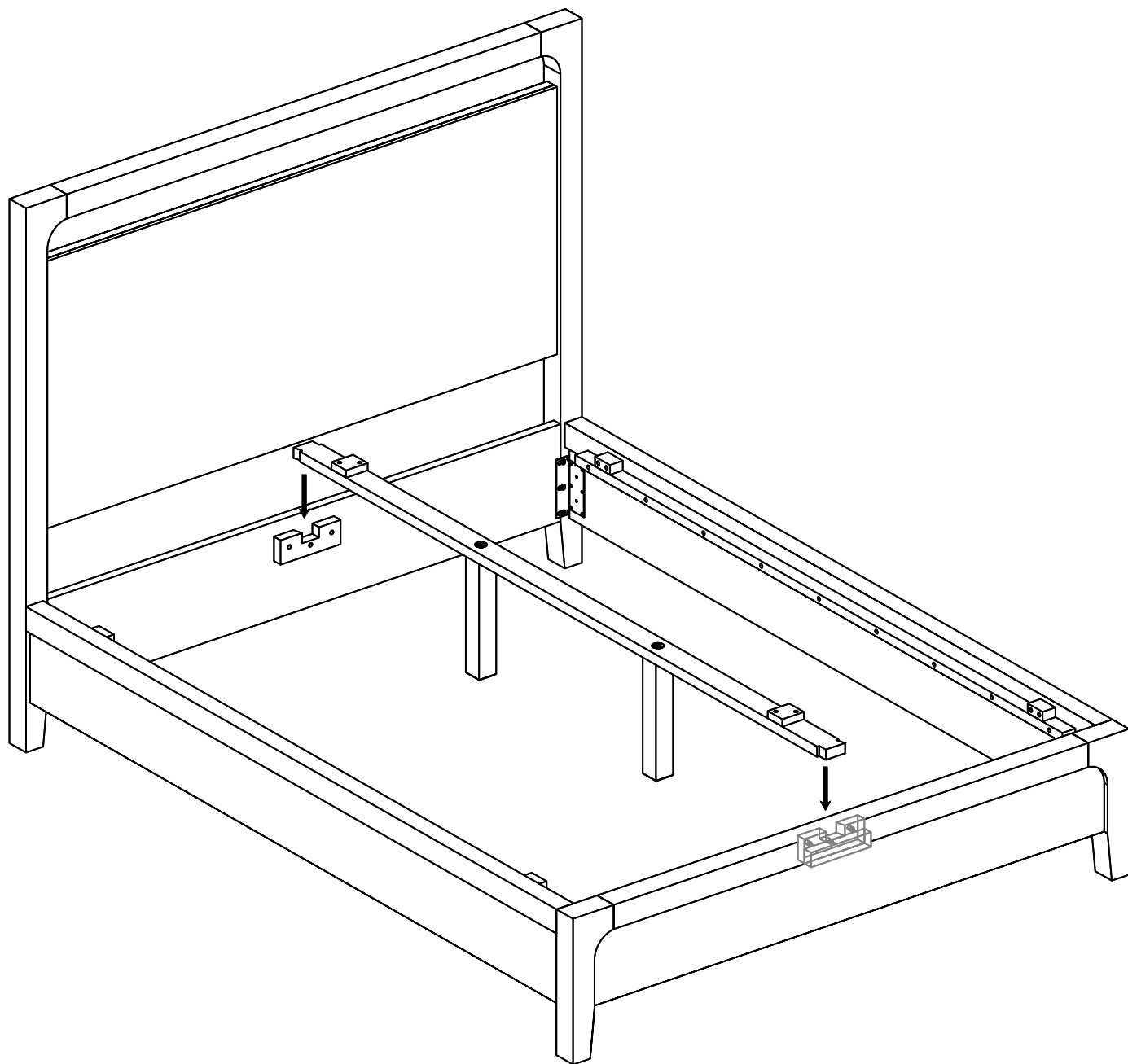


6

ASSEMBLY INSTRUCTIONS

SKU# 54010254 / 54010256

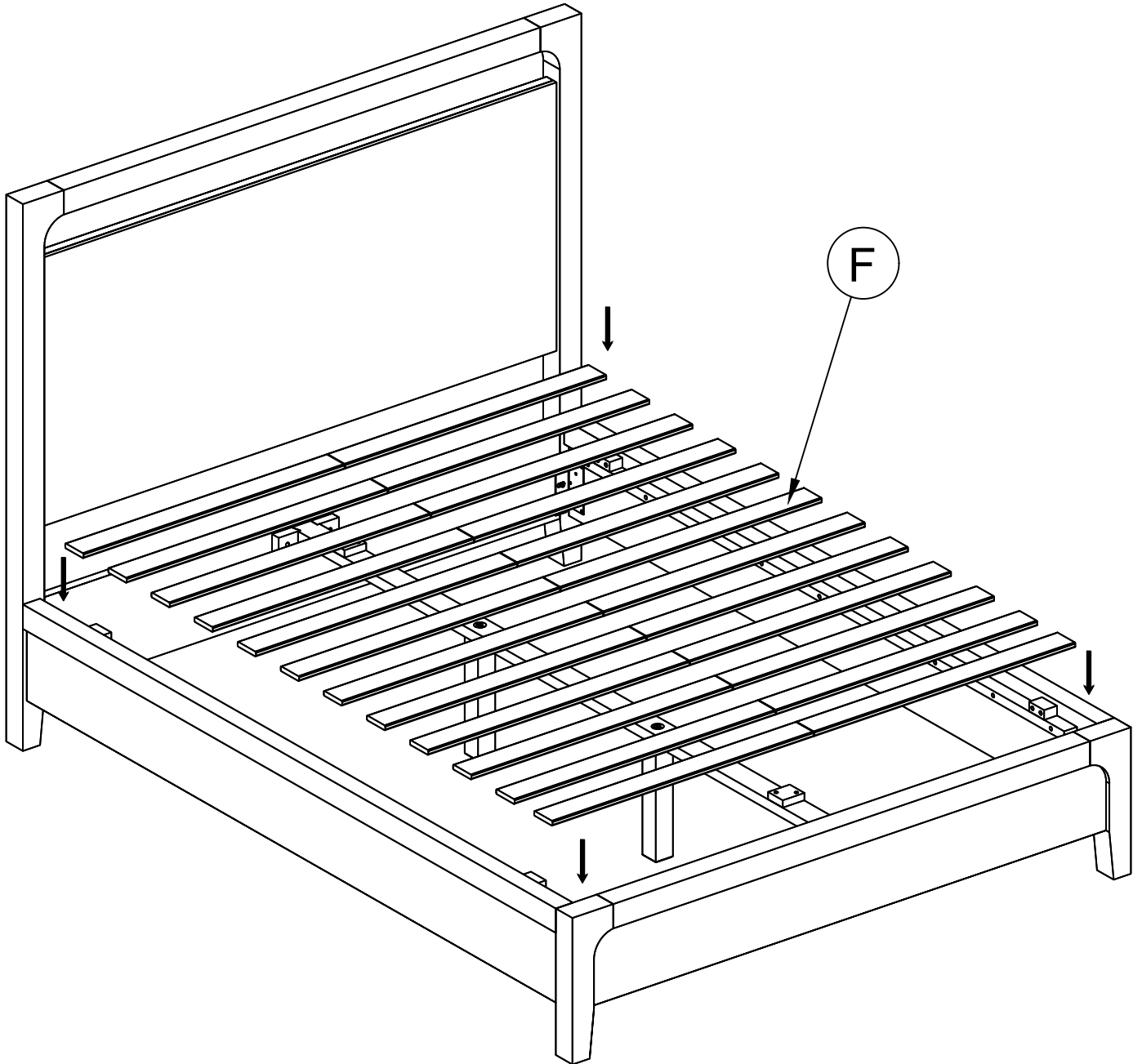
4



ASSEMBLY INSTRUCTIONS

SKU# 54010254 / 54010256

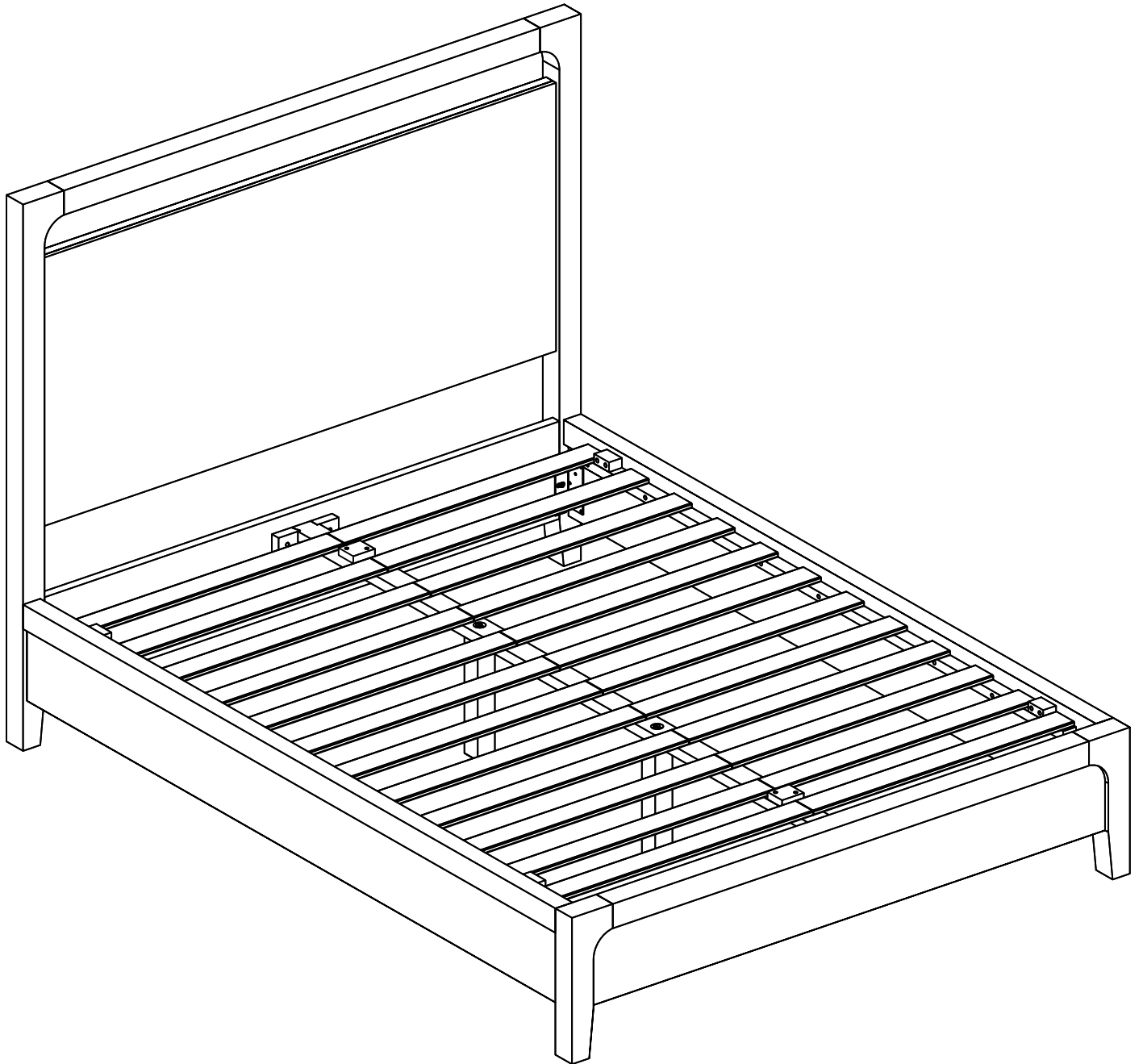
5



ASSEMBLY INSTRUCTIONS

SKU# 54010254 / 54010256

6



Note : Please Adjust The Preinstalled Levelers At The Bottom Of The Legs To Make Sure Your Table Is Level.

9