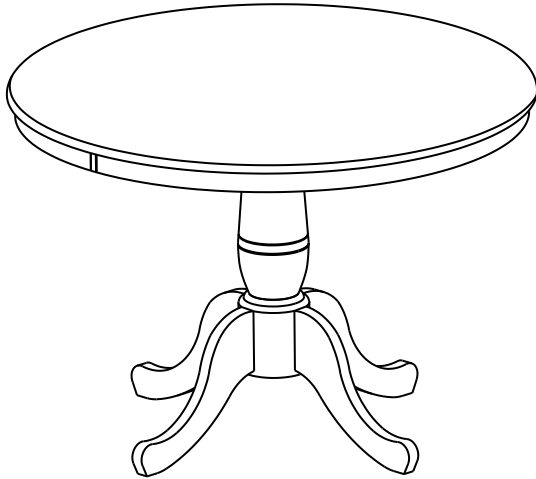


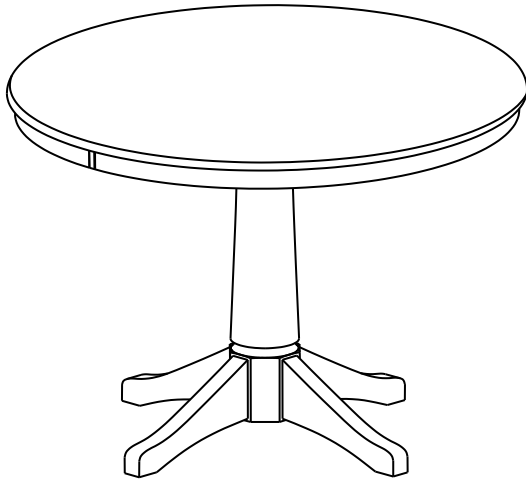
ASSEMBLY INSTRUCTIONS



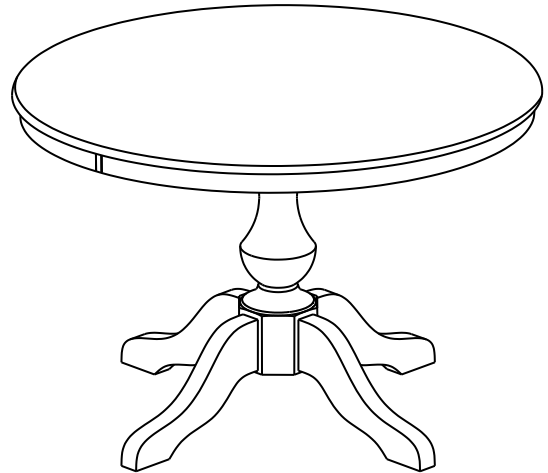
T-30RT OR T-36RT OR T-42RT AND T-30P



T-30RT OR T-36RT OR T-42RT AND T-23B OR T-23B-36



T-30RT OR T-36RT OR T-42RT AND T-27B



T-30RT OR T-36RT OR T-42RT AND T-11B

Description : ROUND TABLE TOP
Item No. : T-30RT OR T-36RT OR T-42RT AND T-30P OR T-27B OR T-11B
OR T-23B OR T-23B-36
(PACKED IN SEPARATE BOX)

ITEM NO.: T-30RT OR T-36RT OR T-42RT AND T-30P OR T-27B OR T-11B
OR T-23B OR T-23B-36
(PACKED IN SEPARATE BOX)

Printed in Vietnam

REVISED SEPT 03, 2024

BEFORE ASSEMBLY

Thank you for purchasing this quality product. This product has been designed for easy assembly and constructed for durability. All parts were checked prior to packaging to insure quality. Prior to beginning assembly, however, make sure all parts and hardware are included and free of obvious defect. If a part is missing or defective, hardware is missing, or you need help with assembly, please call toll free 888-944-8396.

IMPORTANT NOTE:

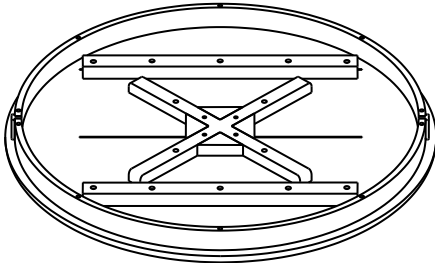
- Place all wooden parts on a clean and smooth surface such as a rug or carpet to avoid the parts from being scratched.
- Remove all wrapping material, including staples & packing straps before you start to assemble.
- DO NOT tighten all screws, bolts until completely assembled.
- Keep all hardware parts out of reach of children.

WARNING:

- Long exposure to rubber or soft plastic may cause a chemical reaction and damage the finish of your table. Protect the surface of the table with cloth if you are using any product with rubber feet or base.

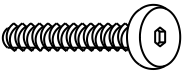


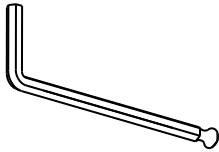
PART LIST T-30RT OR T-36RT OR T-42RT

When unpacking, please be careful not to discard any parts with the packaging. Before continuing, please make sure you have the following parts:

NO	Description	Qty	Sketch
A	Top	1	

HARDWARE LIST

When unpacking, please be careful not to discard any parts with the packaging. Before continuing, please make sure you have all of the following hardware:

NO	Description	Qty	Sketch	NO	Description	Qty	Sketch
1	Bolt (M6 x 35mm)	4		3	Flat Washer (Φ6.5 x 13mm)	4	
2	Lock Washer (Φ6.5 x 11mm)	4		4	Allen key (M4 x 30mm x 110mm)	1	

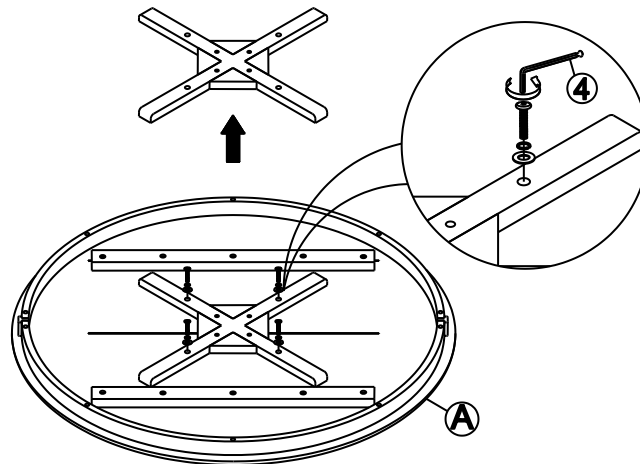
**ITEM NO.: T-30RT OR T-36RT OR T-42RT AND T-30P OR T-27B OR T-11B
OR T-23B OR T-23B-36
(PACKED IN SEPARATE BOX)**

Printed in Vietnam

REVISED SEPT 03, 2024

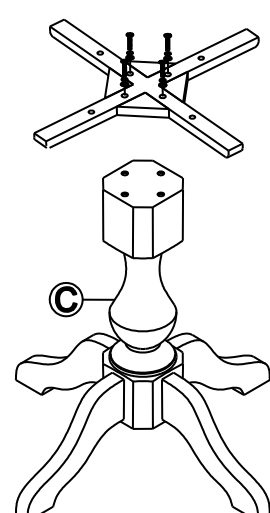
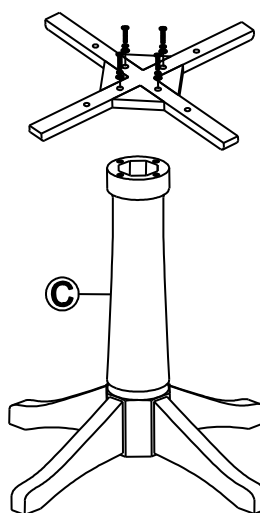
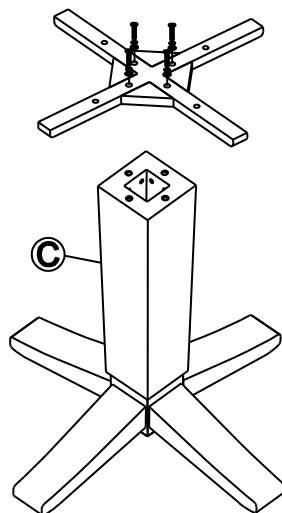
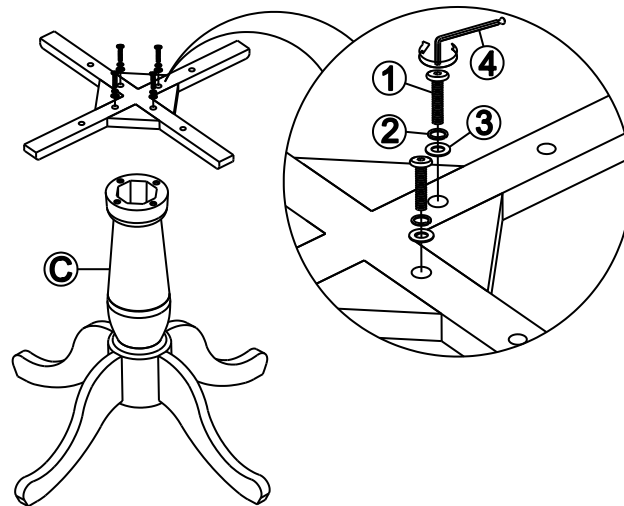
STEP 1

Use the Allen key (4) to loosen bolts and washers, and then remove the plate from bottom of the table top (A) as shown below.



STEP 2

Attach the mounting plate to the pedestal (C), with bolts (1), and washers (2) and (3) as shown below. Tighten with Allen key (4).



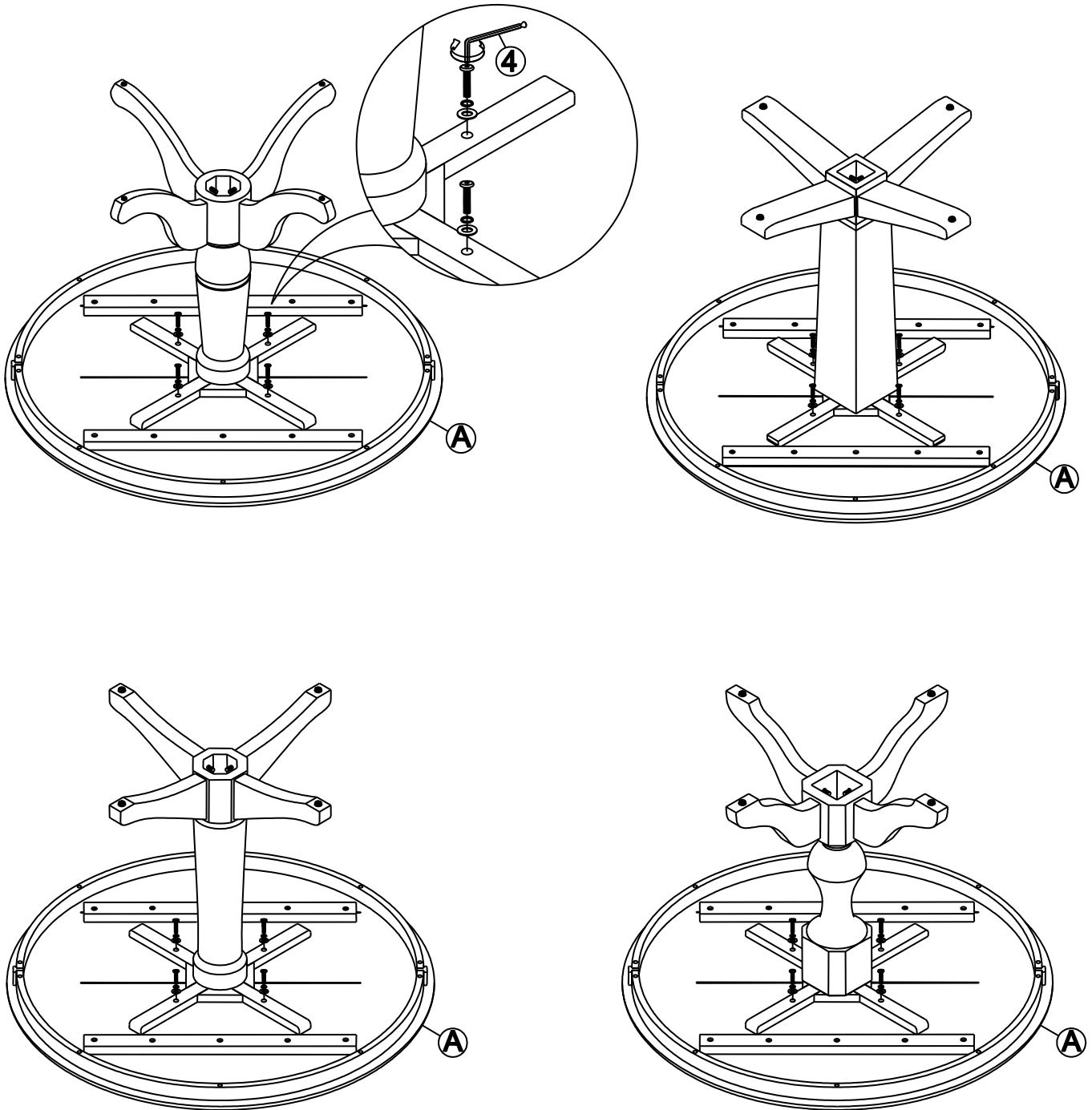
ITEM NO.: T-30RT OR T-36RT OR T-42RT AND T-30P OR T-27B OR T-11B
OR T-23B OR T-23B-36
(PACKED IN SEPARATE BOX)

REVISED SEPT 03, 2024

Printed in Vietnam

STEP 3

Attach the mounting plate to bottom of the top (A) with bolts and washers (from step 1) as show below. Tighten with the Allen key (4).



ITEM NO.: T-30RT OR T-36RT OR T-42RT AND T-30P OR T-27B OR T-11B
OR T-23B OR T-23B-36
(PACKED IN SEPARATE BOX)

Printed in Vietnam

REVISED SEPT 03, 2024