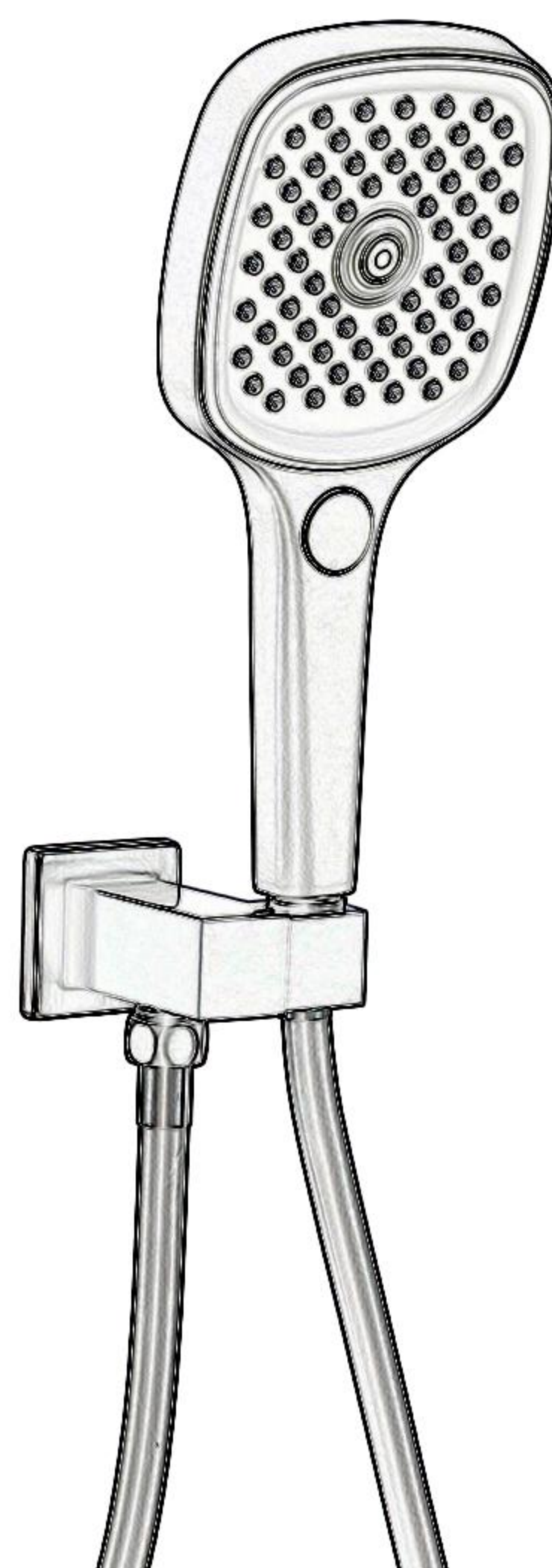
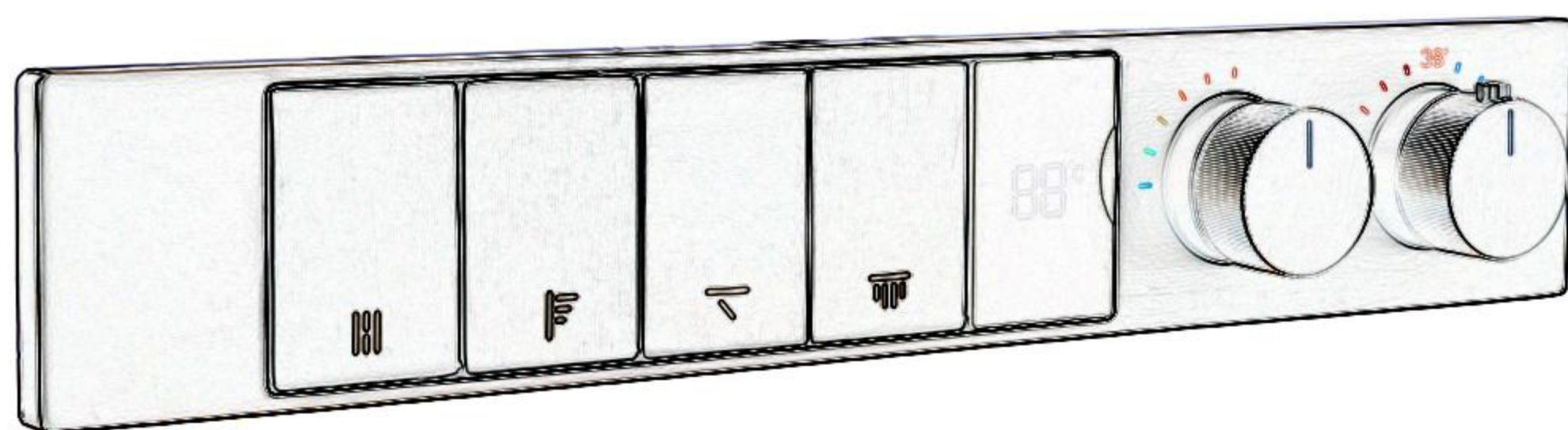
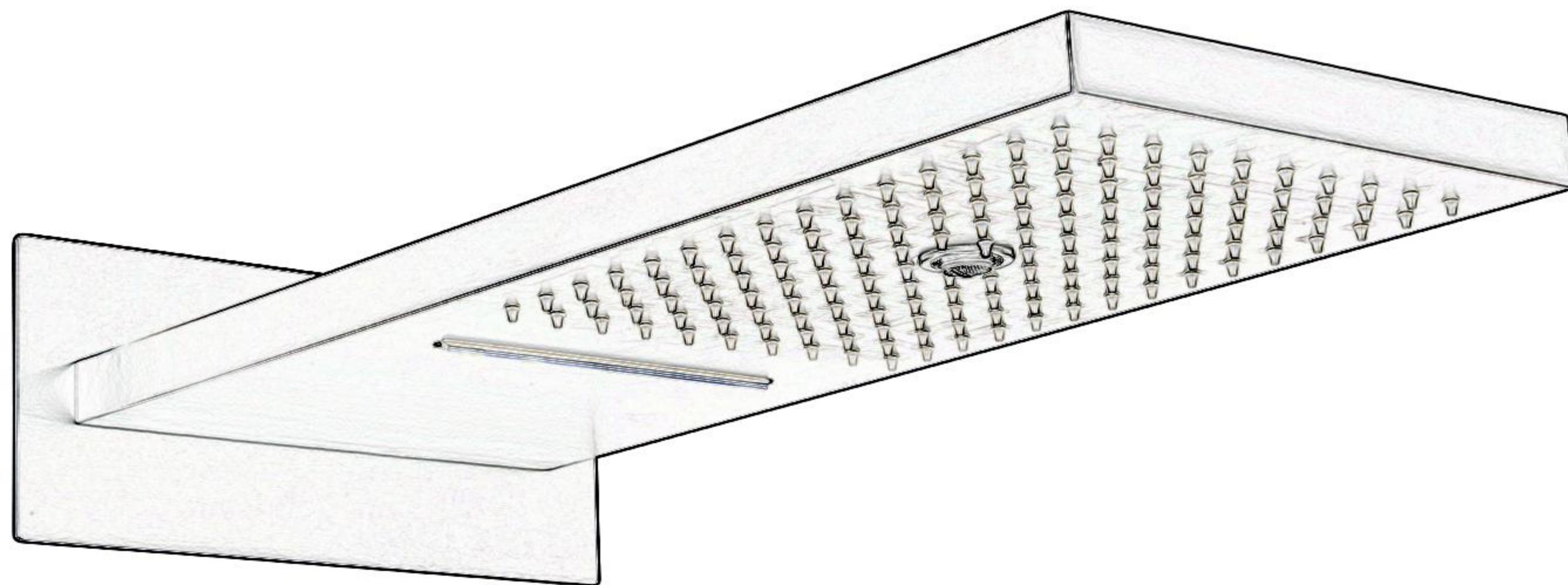


User's Manual



INSTALLATION INSTRUCTIONS

Installation Manual



RB1290

IAPMO RESEARCH AND TESTING, INC.

5001 East Philadelphia Street, Ontario, California 91761-2816 - USA - 909-472-4100 - 909-472-4244 - www.iapmort.org



CERTIFICATE OF LISTING

IAPMO Research and Testing, Inc. is a product certification body which tests and inspects samples taken from the supplier's stock or from the market or a combination of both to verify compliance to the requirements of applicable codes and standards. This activity is coupled with periodic surveillance of the supplier's factory and warehouses as well as the assessment of the supplier's Quality Assurance System. This listing is subject to the conditions set forth in the characteristics below and is not to be construed as any recommendation, assurance or guarantee by IAPMO Research and Testing, Inc. of the product acceptance by Authorities Having Jurisdiction.

This certificate is not evidence of current listing. To verify listing status, visit the IAPMO R&T Product Listing Directory at pld.iapmo.org

Effective Date: December 2019 -Rev. 2/24/2020- Void After: December 2024
Product: Flexible Water Connectors File No. 5311

Issued To:
Fanaki Group Inc.
Mechanical & Electrical
Industrial Zone,
Yuhuan County,
Yuhuan 317600, ZHEJIANG
China

Identification: Products shall be marked with manufacturer's name or trademark, a statement "For use with water in accessible locations only." The products shall also bear the cUPC® certification mark. Markings shall be by means of either a permanent mark on the product, a label on the product or a tag attached to the product.

Characteristics: Flexible water connectors manufactured in various sizes, lengths and metal end fittings for hot or cold water applications that consist of an inner tube, which may or may not have an outer braided cover. Connectors are to be installed for use in accessible locations only. To be installed in accordance with the manufacturer's instruction, and the latest edition of the Uniform Plumbing Code and National Plumbing Code of Canada.

Products listed on this certificate have been tested by an IAPMO R&T recognized laboratory. This recognition has been granted based upon the

Tom Collings
Chairman, Product Certification Committee

Ran Chen
CEO, The IAPMO Group



IAPMO RESEARCH AND TESTING, INC.

5001 East Philadelphia Street, Ontario, California 91761-2816 - USA - 909-472-4100 - 909-472-4244 - www.iapmort.org



CERTIFICATE OF LISTING

IAPMO Research and Testing, Inc. is a product certification body which tests and inspects samples taken from the supplier's stock or from the market or a combination of both to verify compliance to the requirements of applicable codes and standards. This activity is coupled with periodic surveillance of the supplier's factory and warehouses as well as the assessment of the supplier's Quality Assurance System. This listing is subject to the conditions set forth in the characteristics below and is not to be construed as any recommendation, assurance or guarantee by IAPMO Research and Testing, Inc. of the product acceptance by Authorities Having Jurisdiction.

This certificate is not evidence of current listing. To verify listing status, visit the IAPMO R&T Product Listing Directory at pld.iapmo.org

Effective Date: November 2019 Void After: November 2024
Product: Plumbing Fixture Fittings File No. 10633

Issued To:
Aqua Gallery Co., Ltd
13th-15th A10 Block
International Ceramics
Sanitary City, 528000
Foshan,
China

Identification: Plumbing supply fittings complying with this Standard shall be marked with the manufacturer's recognized name, trademark, or other mark or, in the case of private labeling, the name, trademark or other mark of the customer for whom the fitting was manufactured. The marking shall be accomplished by use of a permanent mark or by placing a permanent label on the product. Markings on plumbing supply fittings shall be visible after installation.

Single-handle, single-control, and automatic compensating mixing bath and shower valves shall have identifiable temperature control settings in which the settings are indicated by words ("cold", "warm", "hot", etc.), by numbers, or graphically.

Packages shall be marked with the manufacturer's name, trademark, or other mark as well as the model number or, in the case of private

Tom Collings
Chairman, Product Certification Committee

Ran Chen
CEO, The IAPMO Group



IAPMO RESEARCH AND TESTING, INC.

5001 East Philadelphia Street, Ontario, California 91761-2816 - USA - 909-472-4100 - 909-472-4244 - www.iapmort.org



CERTIFICATE OF LISTING

IAPMO Research and Testing, Inc. is a product certification body which tests and inspects samples taken from the supplier's stock or from the market or a combination of both to verify compliance to the requirements of applicable codes and standards. This activity is coupled with periodic surveillance of the supplier's factory and warehouses as well as the assessment of the supplier's Quality Assurance System. This listing is subject to the conditions set forth in the characteristics below and is not to be construed as any recommendation, assurance or guarantee by IAPMO Research and Testing, Inc. of the product acceptance by Authorities Having Jurisdiction.

This certificate is not evidence of current listing. To verify listing status, visit the IAPMO R&T Product Listing Directory at pld.iapmo.org

Effective Date: March 2019 Void After: March 2024
Product: Plumbing Fixture Fittings - Components File No. MC-9703

Issued To:
Ningbo Manhai Cartridge Technology Co., Ltd.
Xiachen Zone, Chunhu
Fenghua, NINGBO 315538
China

Identification: Each fitting component shall bear permanent legible markings to identify the manufacturer. This marking shall be the trade name, trademark, or other mark known to identify the manufacturer. The product shall also bear all other markings required by the standard. The marking shall be applied so as to be visible after installation. The product or packaging shall also bear the cUPC® certification mark along with the term "COMPONENT" above.

Characteristics: Plumbing fixture fitting components to be installed in accordance with the manufacturer's instructions and the requirements of the latest edition of the Uniform Plumbing Code.

Products listed on this certificate have been tested by an IAPMO R&T recognized laboratory. This recognition has been granted based upon the laboratory's compliance to the applicable requirements of ISO/IEC 17025.

Products are in compliance with the following code(s):
Uniform Plumbing Code (UPC®)

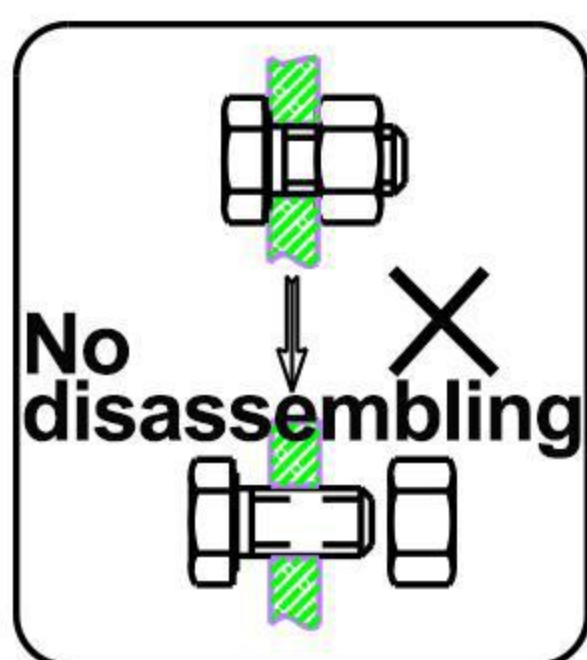
Tom Collings
Chairman, Product Certification Committee

Ran Chen
CEO, The IAPMO Group



BEFORE INSTALLATION

This product has been inspected and debugged by the factory to the best condition. Please do not disassemble and assemble it yourself.

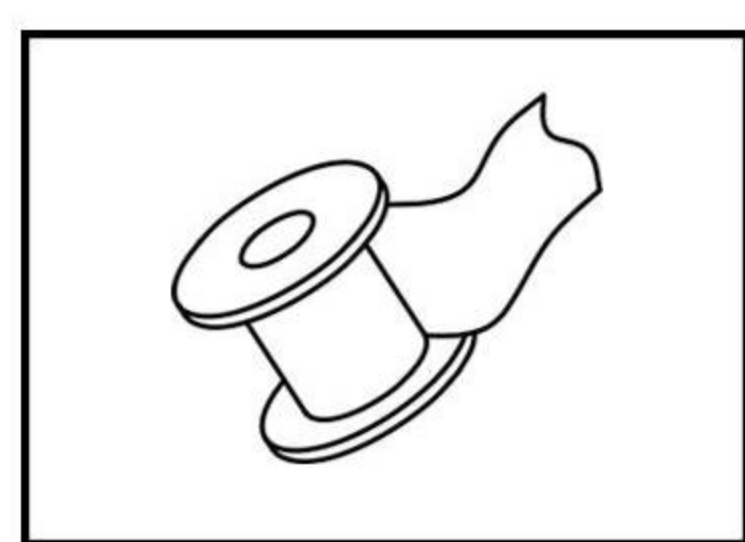


Before installing the product, please be sure to remove sundries and sludge from the water pipe to prevent sundries from blocking the product.

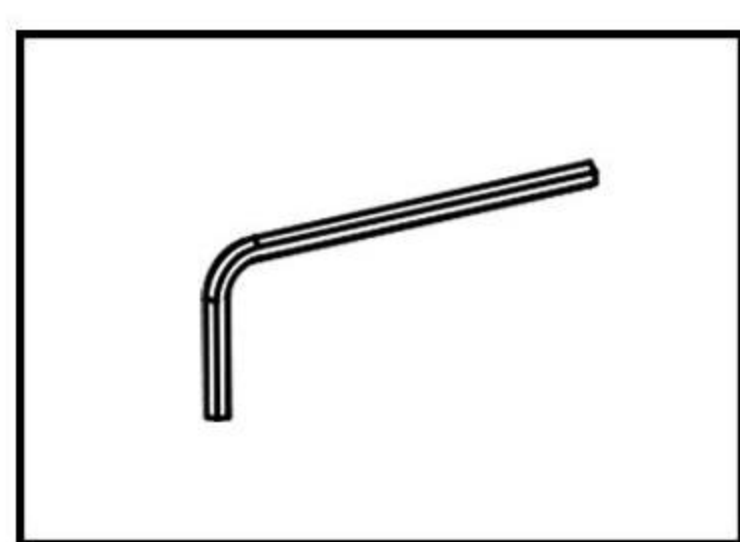


1. Please read the manual firstly before installation;
2. Please check the condition of all the parts, and the installation tools are not included, please prepare it by yourself;
3. User manual includes matters needing attention during installation, please keep it properly;
4. The size chart in the manual is for reference only, please refer to the actual product that you receive.

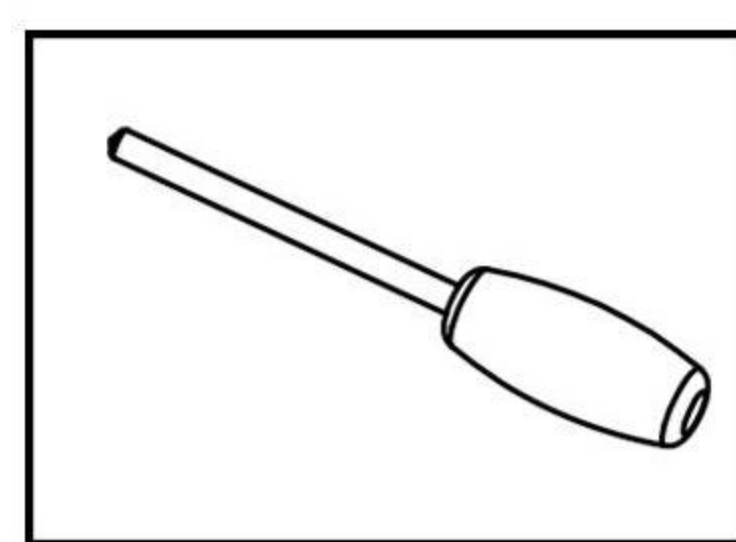
Recommend Tools :



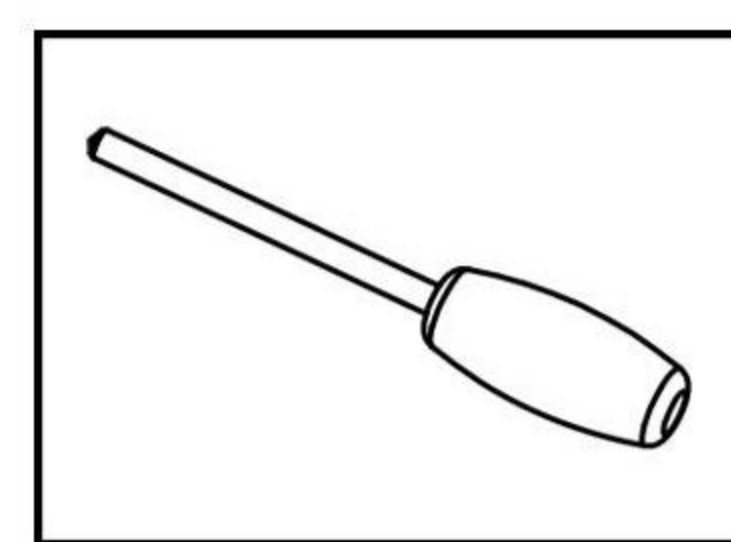
PTFE Tape



Hex Key



Slotted Screwdriver

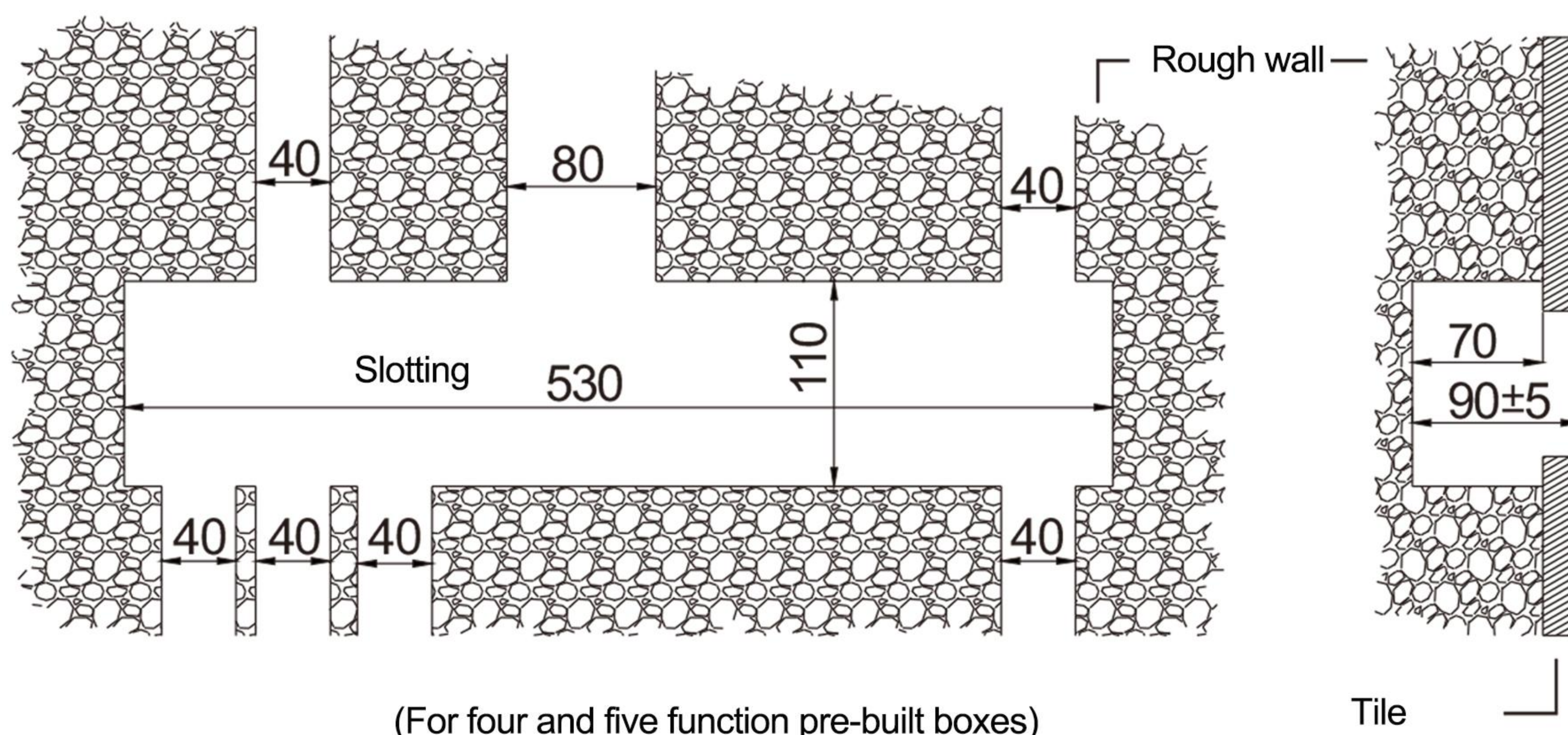


Phillips Screwdriver

1. The sundries at the connection area must be cleared before installation to avoid blockage or leakage;
2. Connect the inlet pipe correctly as shown in the figure;
3. The maximum temperature of hot water is not higher than 80°C (176°F);
4. Please contact seller for consultation if you need to install in other method.

Wall trenching

1. The main body of the pre-embedded box rough opening size: 530*110*70-80mm deep (Note: 70mm is the best), to complete the wall pre-embedded box depth of 85-100mm. Specifically refer to the box surface sticker logo.
2. According to the product size, excavation of cold, hot water pipe and outlet pipe groove.



INSTALLATION STEPS

The water pipe connection, sealing inspection

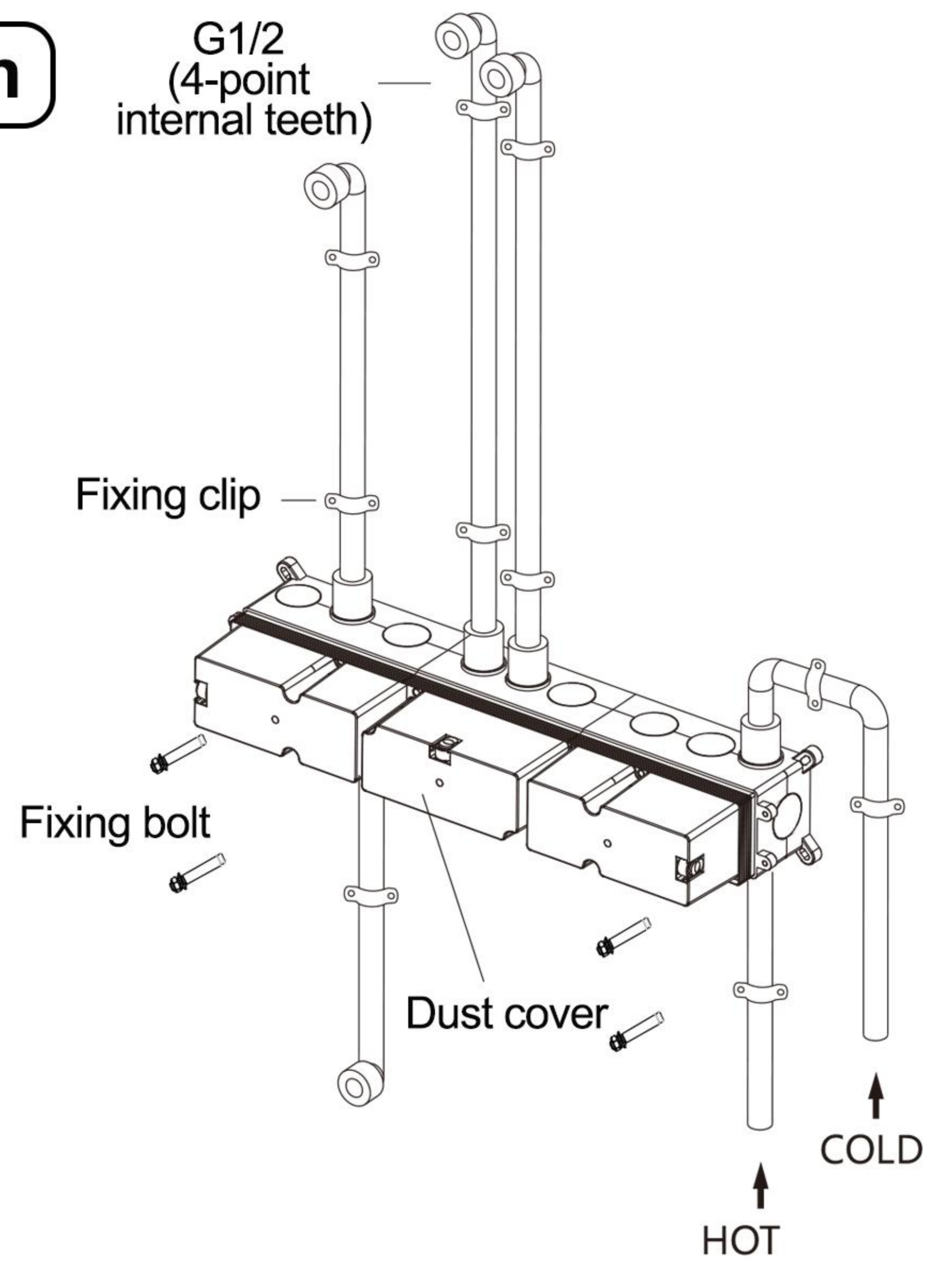
1. Fuse the water pipe and connect it with the buried box respectively, and tighten it with a wrench to fix it. (Note: the interface wrapped around the thick raw material tape).

2. The installed pipe and box are moved together to the dug trench, check the parallel verticality of the wall (refer to the level on the box), if the wall is not level, then it can be repaired.

Ensure that the angle between the pre-buried box and the vertical wall is 90°.

3. Use the fixing clip to fix the pipe in the groove, make sure the pipe end surface is flush with the tile surface or slightly lower, never higher than the tile surface.

4. the outlet plug, remove the buried box dust cover, open the spool switch so that the water pipeline under high pressure static pressure for 48 hours, to ensure that there is no leakage of water before sealing the earth operation.



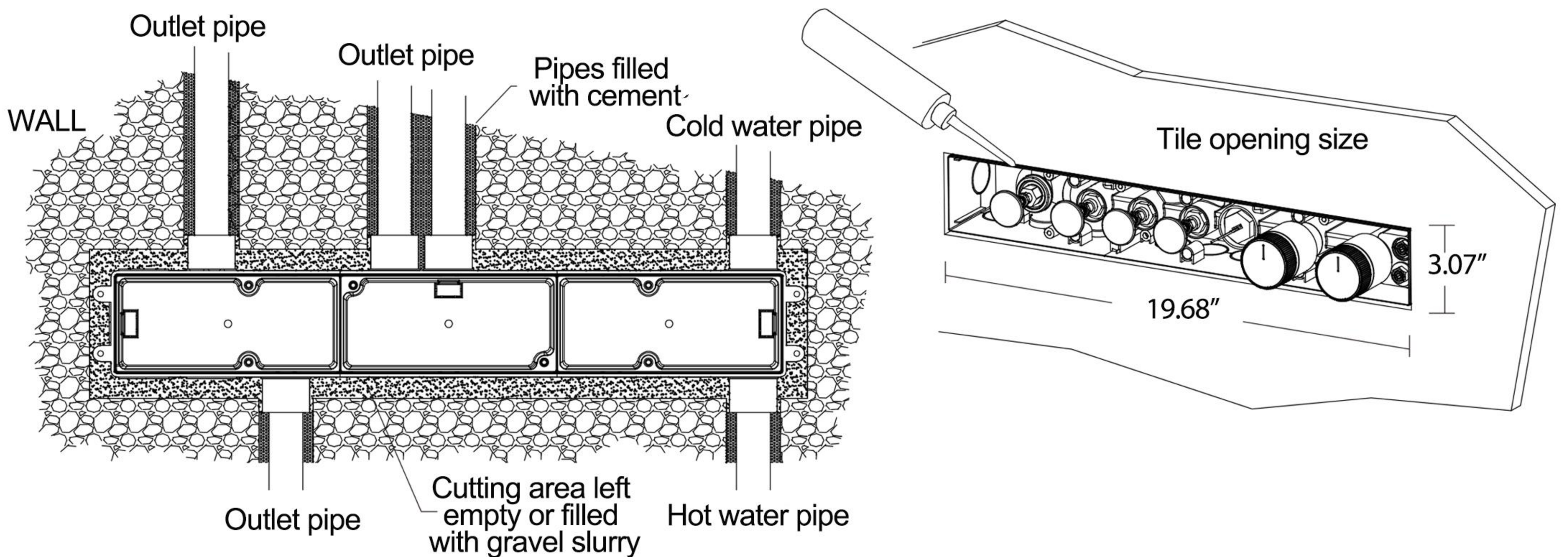
Sealing wall process

1. Please operate according to the following diagram for the filler near the pre-embedded box.

2. Tile surface opening: 500*78mm (please cut along the edge of the minimum outer wall of the pre-embedded box), must be smaller than the decorative panels, and all around the chamfer (please pay attention to the chamfering).

And around the attention of chamfering (do not open into a square corner and open large, otherwise it will affect the aesthetic)

3. In the completion of the wall and the pre-embedded box edge glue sealing treatment.



According to the Jian component adjustment

1. Put the special adjusting gauge vertically and horizontally on the surface of the tile

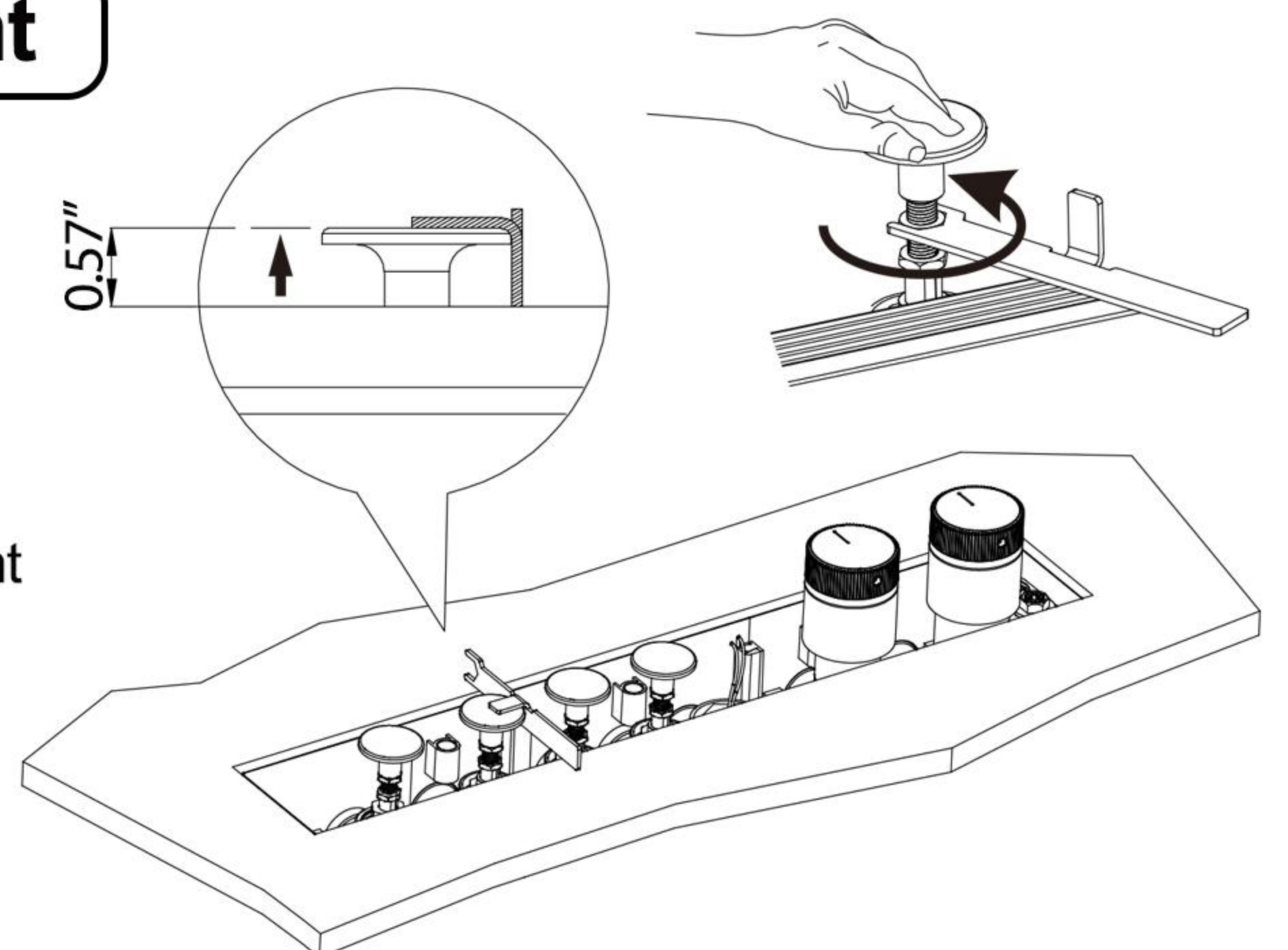
2. Unscrew the top rod disk to the left until the top surface is tightly positioned gauge surface can be.

3. Fix the top rod disk with your left hand, and adjust the nut upward to the right with the hexagonal opening on the gauge with your right hand to lock it.

4. Tighten the lower nut downward to the top of the spool to the left.

5. Install the panel and test the feel of the buttons.

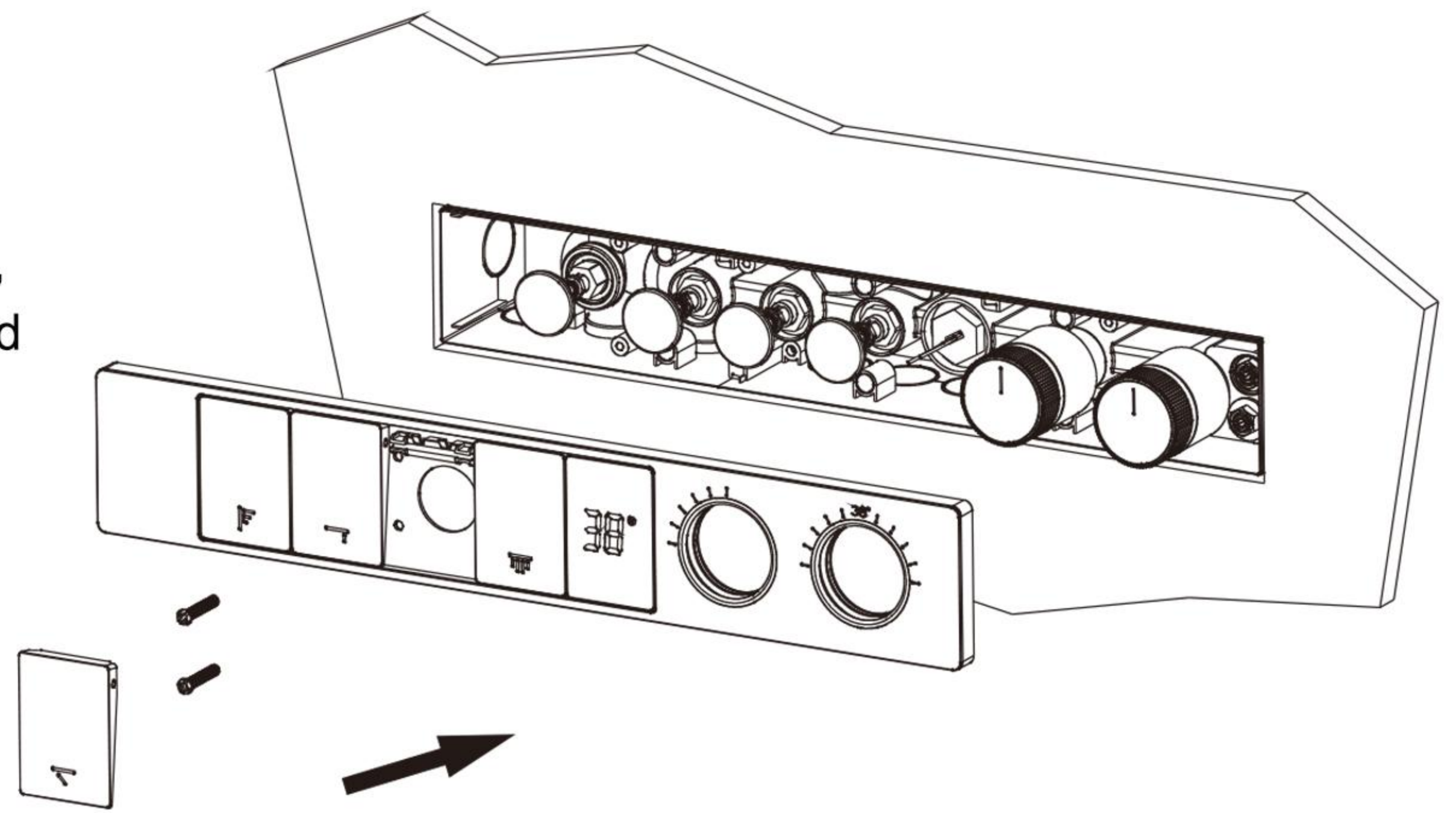
Height adjustment standard: moderate pressure strength, free switching



INSTALLATION STEPS

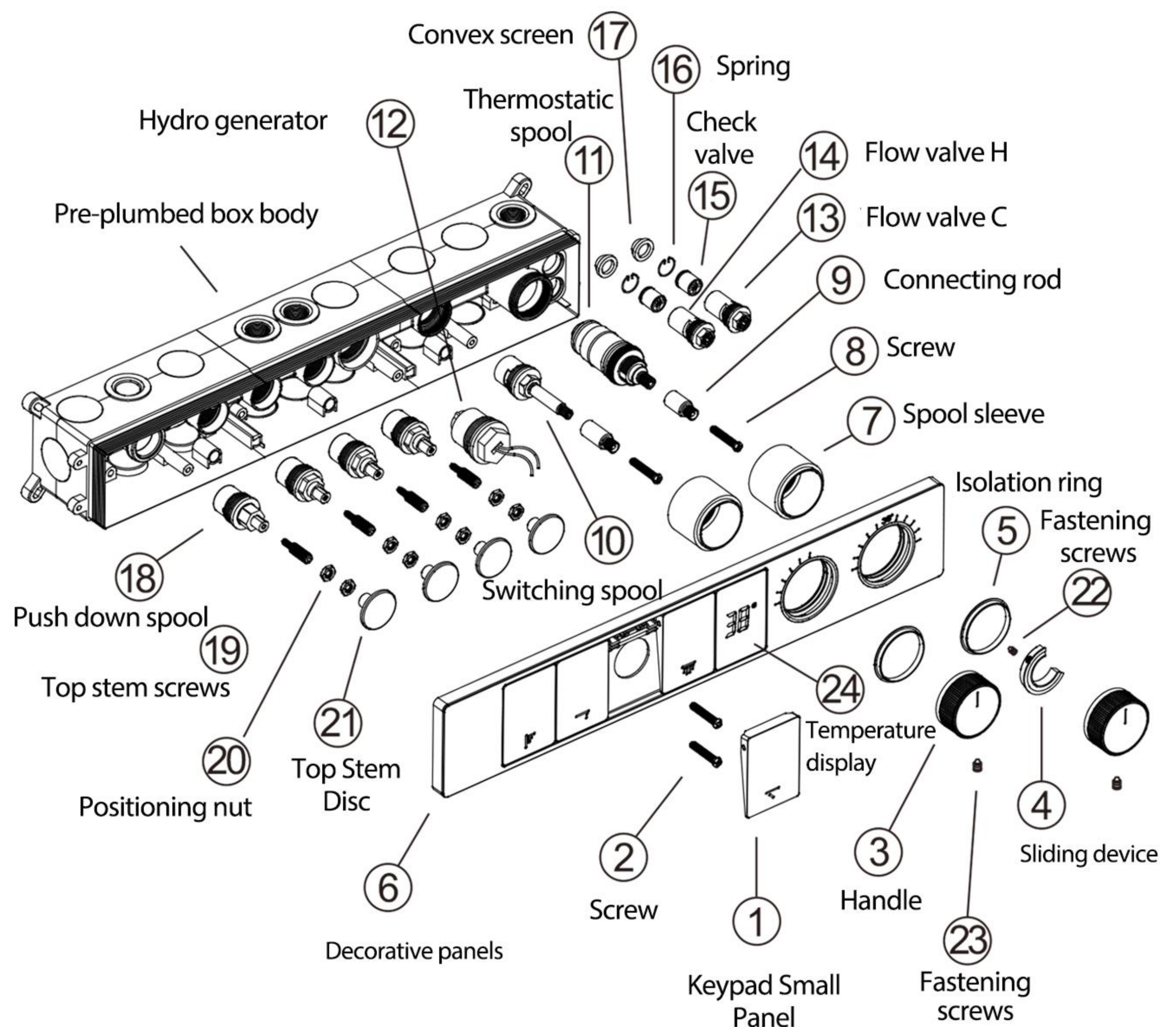
Decorative panel installation

1. Insert the spool hole on the right side of the panel into the spool sleeve of the main body.
2. Screw two spare screws through the two holes in the panel, lock the panel (pay attention to the panel up and down, left and right balance and then tighten).
3. The small panel is stuck into the U groove of the rotating bracket.
4. Rotate the thermostat, switching valve, flow valve, test the water effect and the sensitivity of the press Jian.
5. Installation is complete.



MAIN DISASSEMBLY AND COMMON FAULT REPAIR

FAULT PHENOMENON	CHECK PARTS	DISPOSAL
Water leakage	⑩ ⑪ ⑫ ⑬ ⑭ ⑮ ⑰ ⑱	Tighten/Clean/ Replace
Water volume becomes small	⑭ ⑮ ⑰ ⑱ ⑭ ⑰ ⑱	Cleaning/ Adjustment
Cold and hot	⑪	Cleaning/ Replacement
Only hot water	⑪ ⑬	Cleaning/ Replacement
Cold water only	⑪ ⑭	Cleaning/ Replacement
Button malfunction	⑱ ⑲ ⑳ ㉑	Adjust/Replace
Lights don't light up/flicker	⑫ ㉔	Cleaning/ Replacement
Loose handle	③ ④ ㉒ ㉓	Tighten

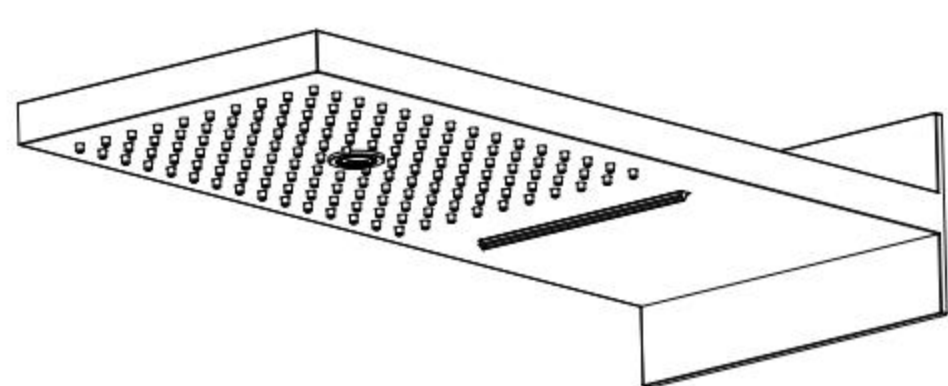


Warm tips

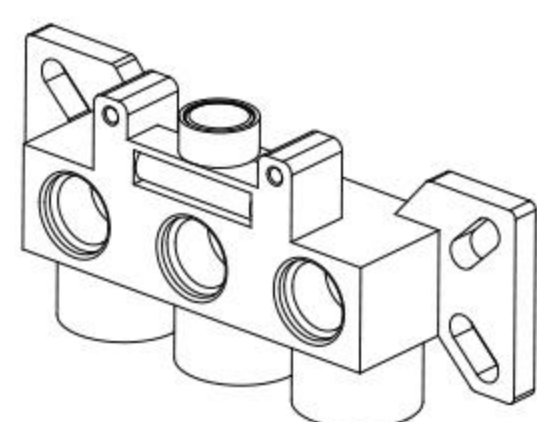
If maintenance is required, please disassemble and assemble according to the serial number.

- ② before changing the spool valve must be tightened with a hexagonal wrench to the right to close the flow valve H, C and then operate, assembled and then screwed to the left to the maximum open water state.
- ③ hot and cold water inlet filter, thermostatic valve spool to be regularly cleaned, the filter must be removed before turning off the water supply and empty the pipe water before operating with a wrench, thermostatic valves, water distribution valve spool cleaning only need to close the flow valve can be.

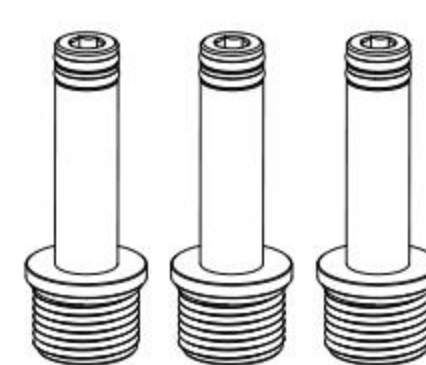
Configuration List



Shower body



PPR(G1/2)



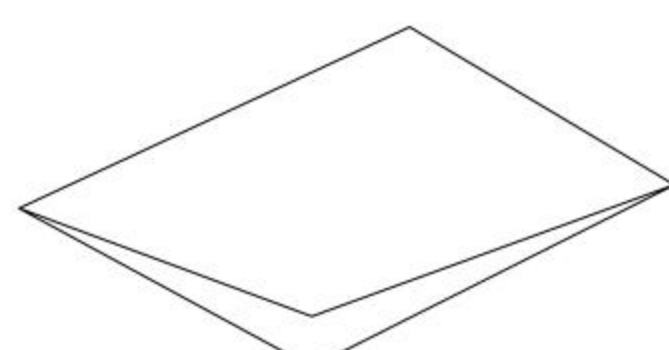
Connector



Expansion bolt



Accessory



Instructions

INSTALLATION STEPS

Installation process

1. Open the water source and remove the mud and sand from the water pipe, Clean and flush out the dirt.

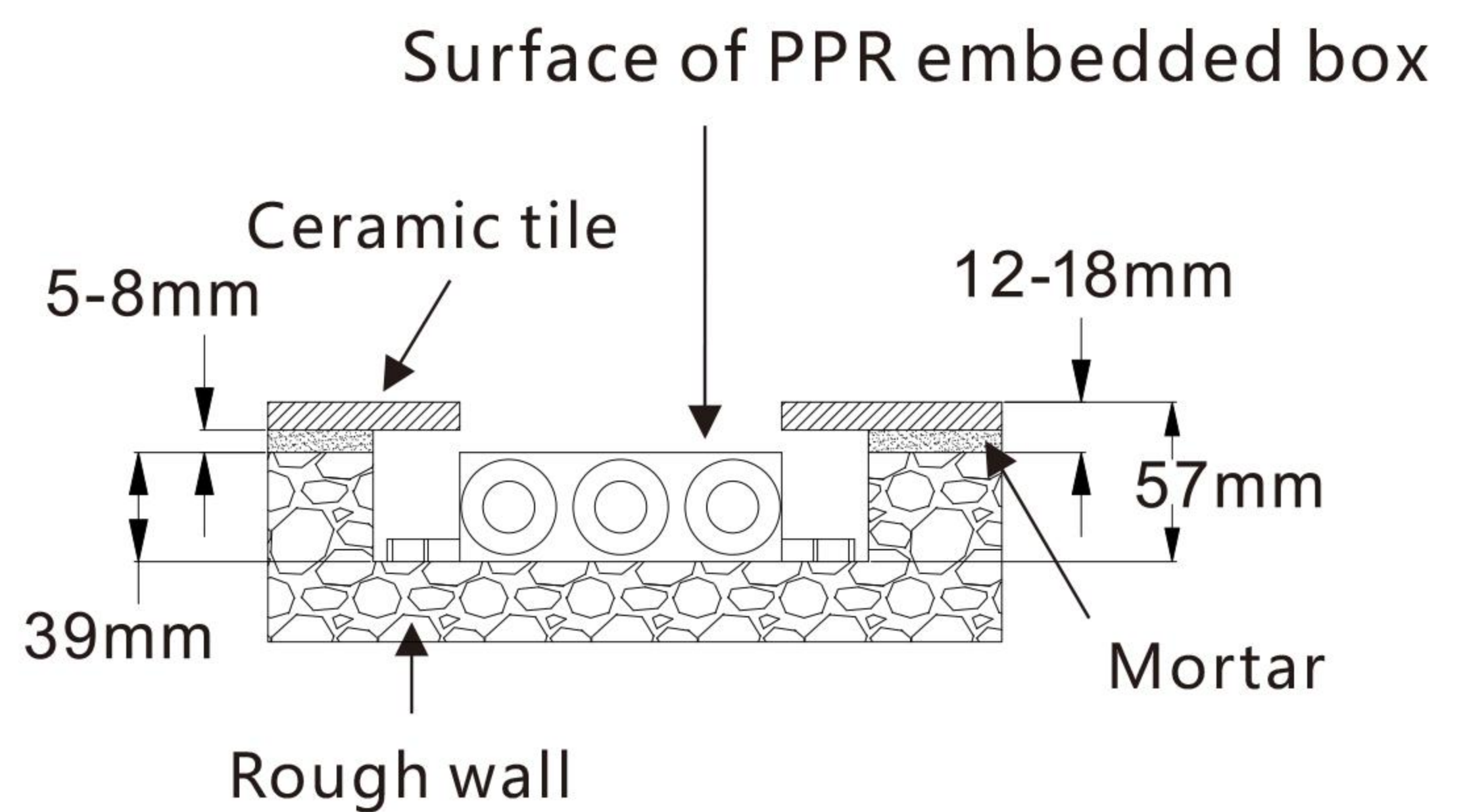
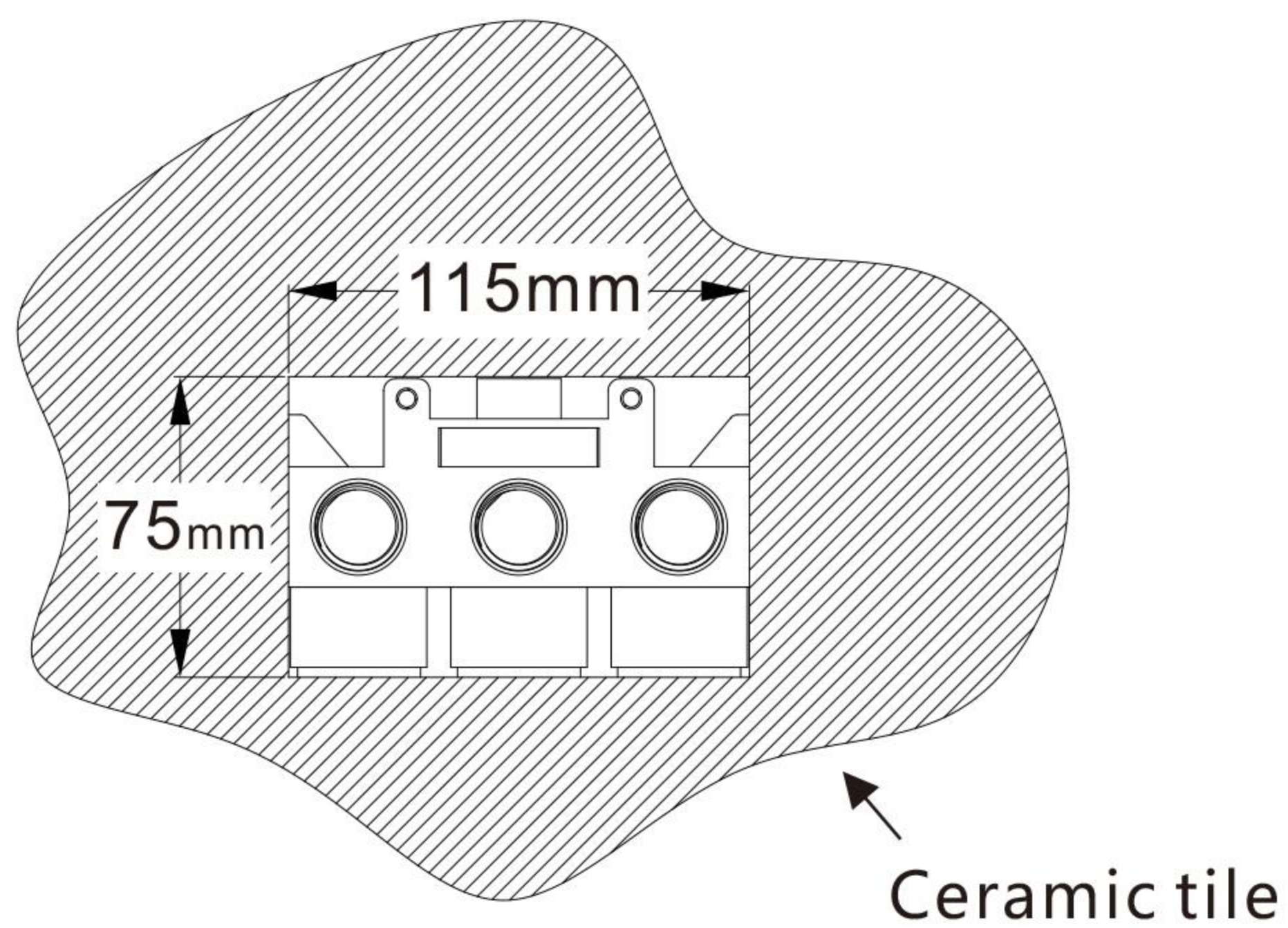
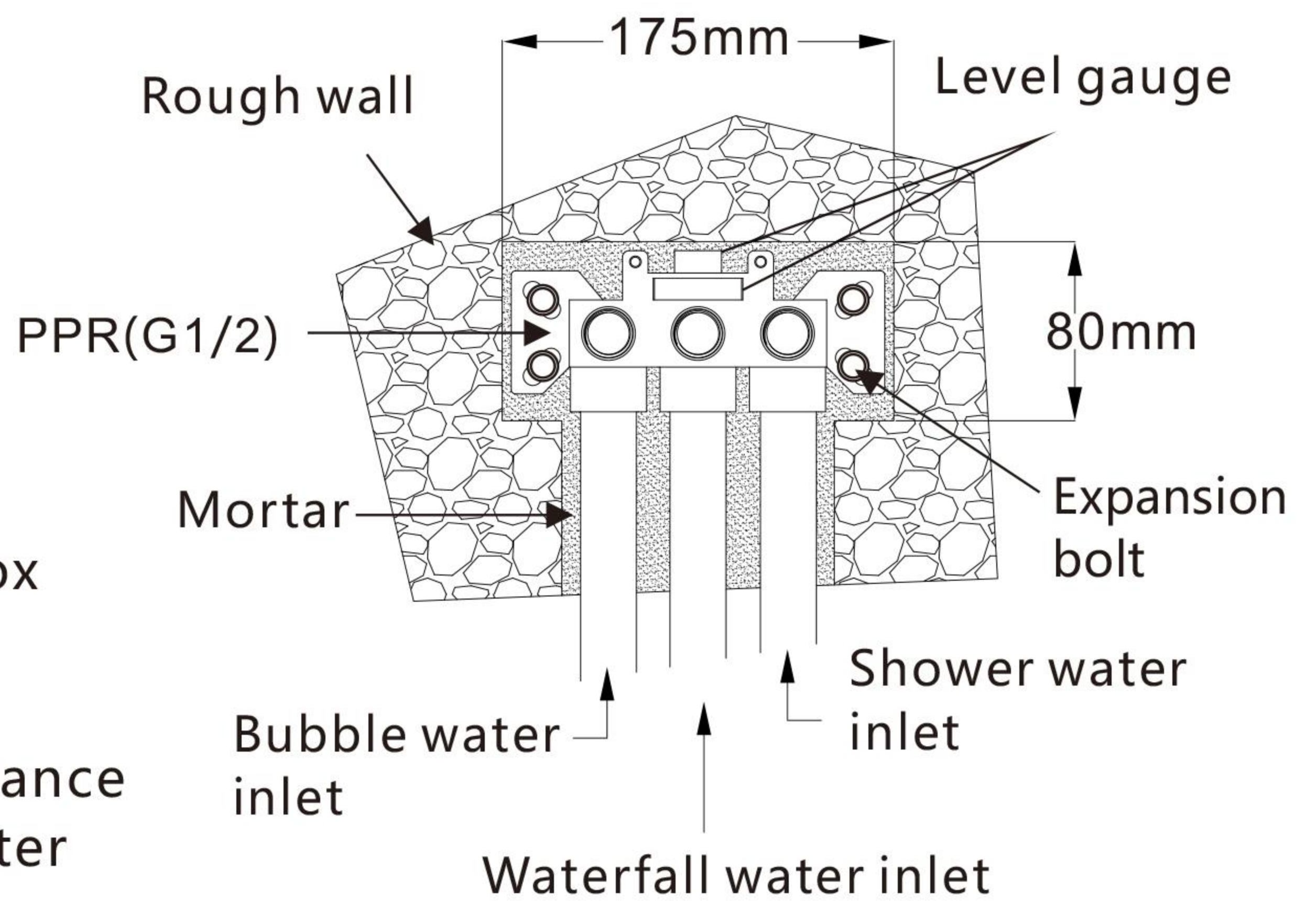
2. Slot size for rough wall:
175 * 80 * 39mm deep.

Attention:

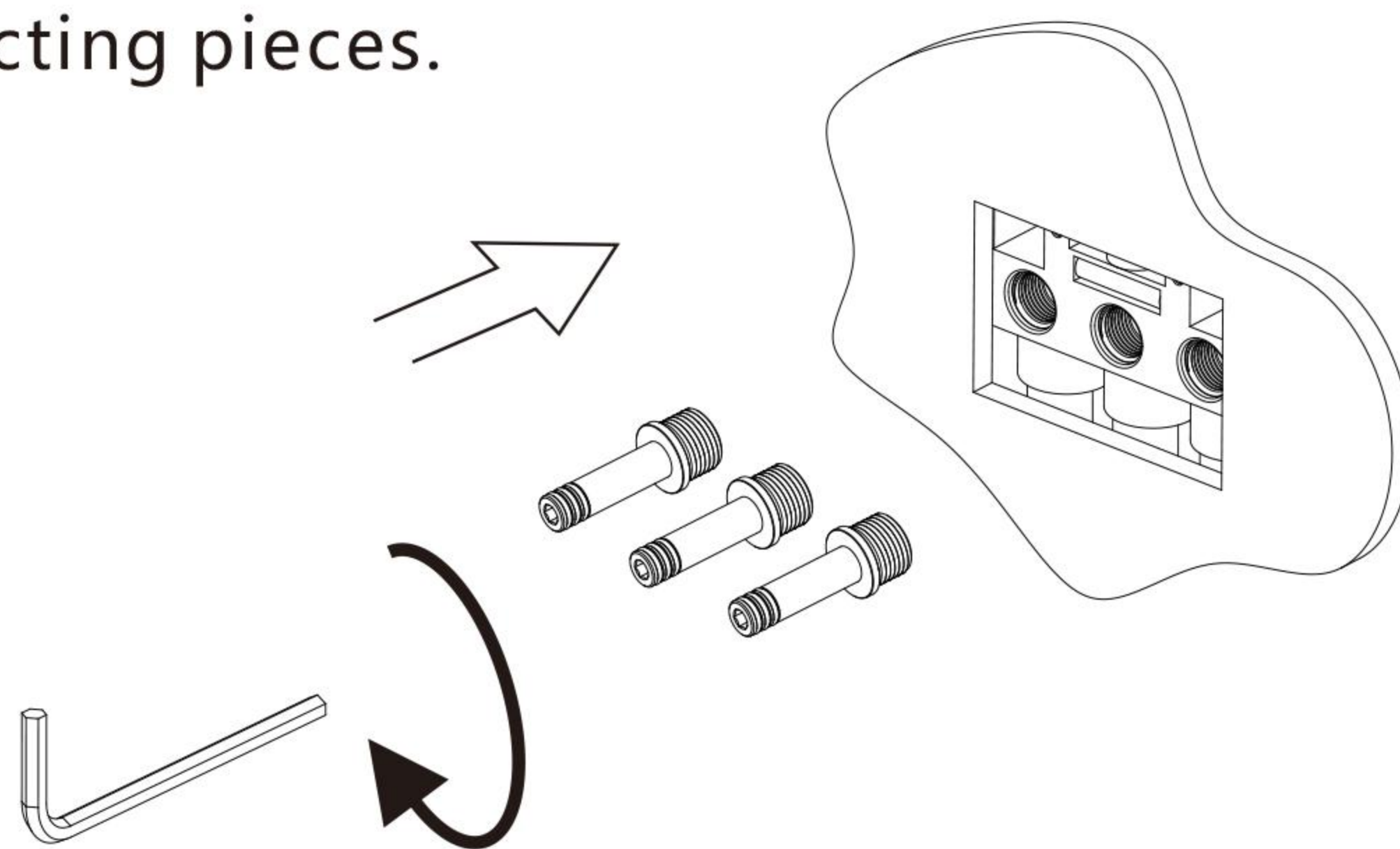
A. The surface of the PPR embedded box is flush with the rough surface.

B. Refer to the level gauge on the PPR embedded parts, Ensure balance before fixing. Excavate cold and hot water pipes as well as outlet pipe slots.

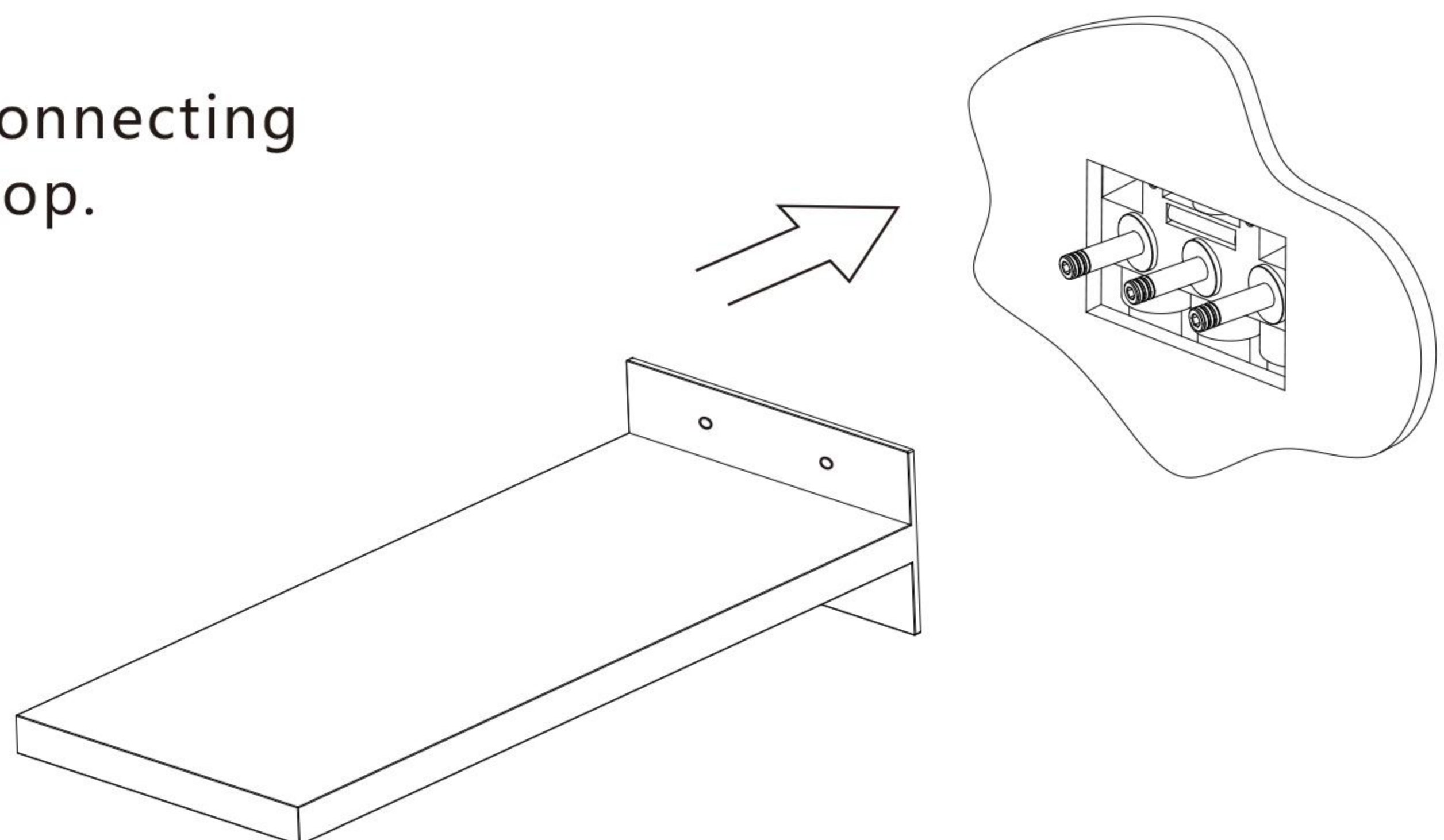
3. Tile slot size: 115 * 75mm



4. Installing connecting pieces.

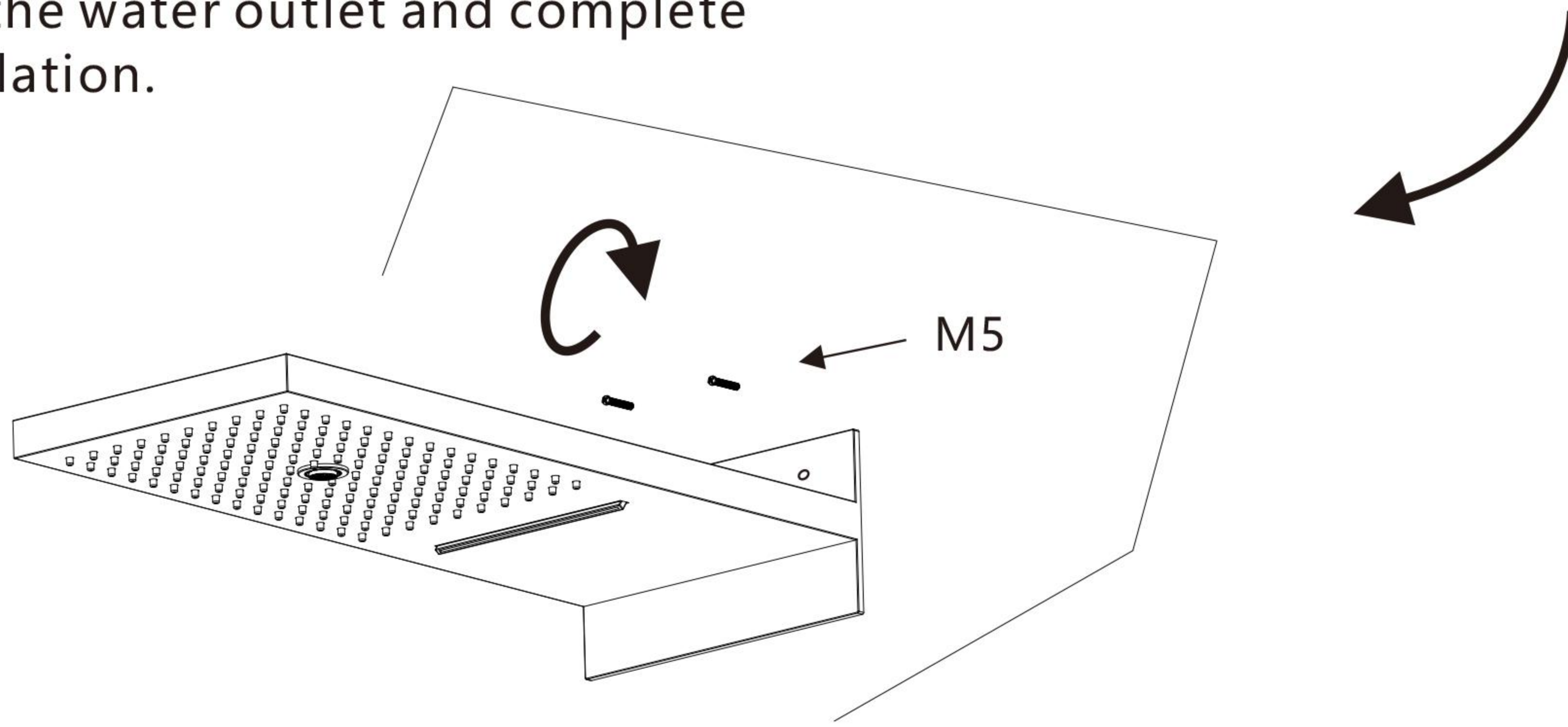


5. Insert the main body into the connecting piece and fix it with screws from top.

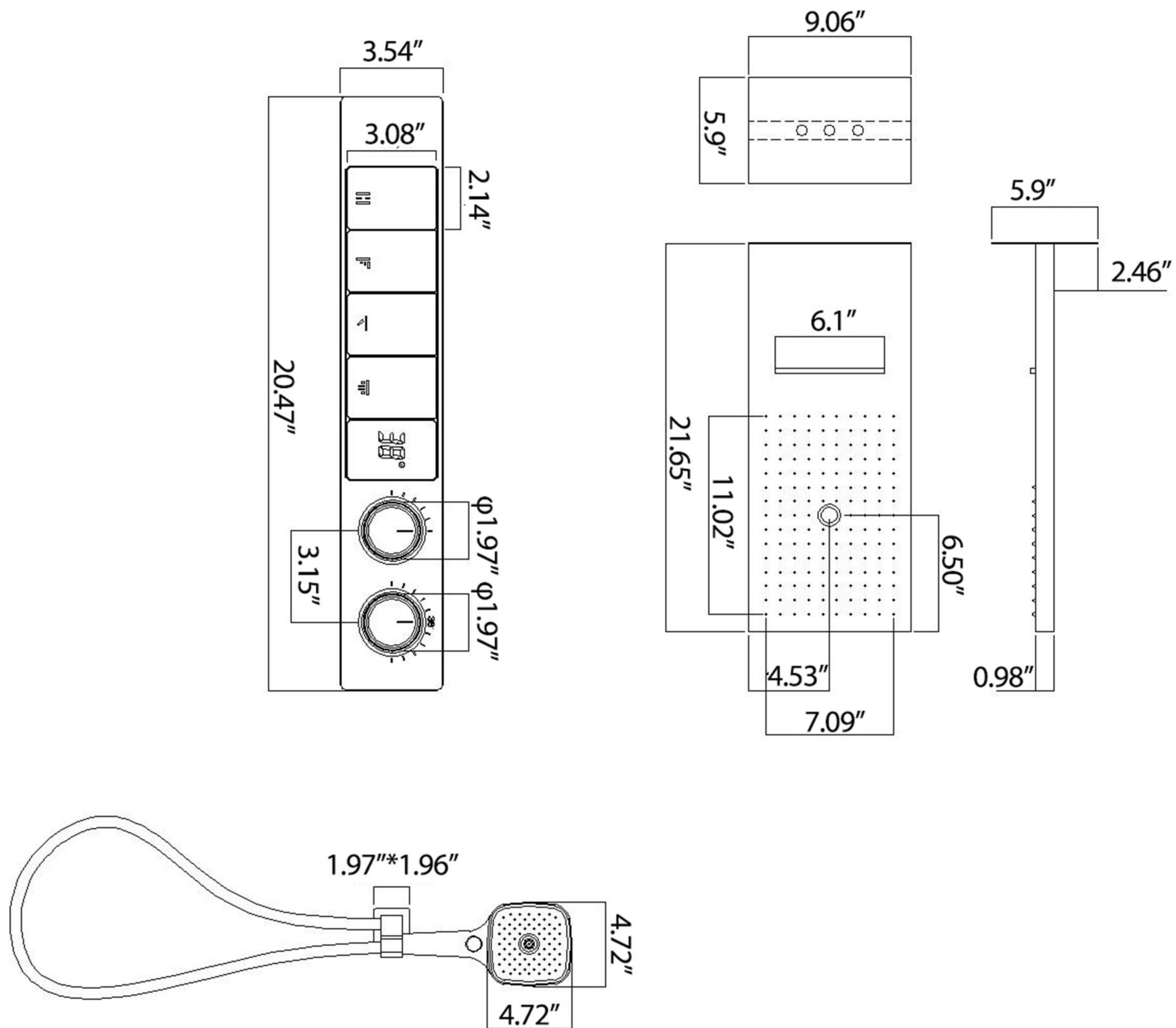


INSTALLATION STEPS

6. Check the water outlet and complete the installation.



DIMENSION DRAWING



CLEANING CARE

In order to keep the appearance of faucet clean, bright and good performance, please take care of the faucet as follows;

1. Rinse with water only and dry with soft cotton cloth;
2. Use mild liquid and colorless glass cleaner to remove surface dirt and scale film, or use polish without abrasive effect;
3. Do not use abrasive detergent, polish, emery cloth, paper towel or scraper, etc.;
4. Do not use acid cleaner, or cleaner and soap with insoluble gran etc.;
5. In the process of use, mud may accumulate in the bubbler and make the water flow slow, The bubbler can be unscrewed, rinsed with water, and then installed back in place.



Please feel free to contact us if you have any questions. We will help to solve the issue together with you. OUR EMAIL: services@rbrohant.com