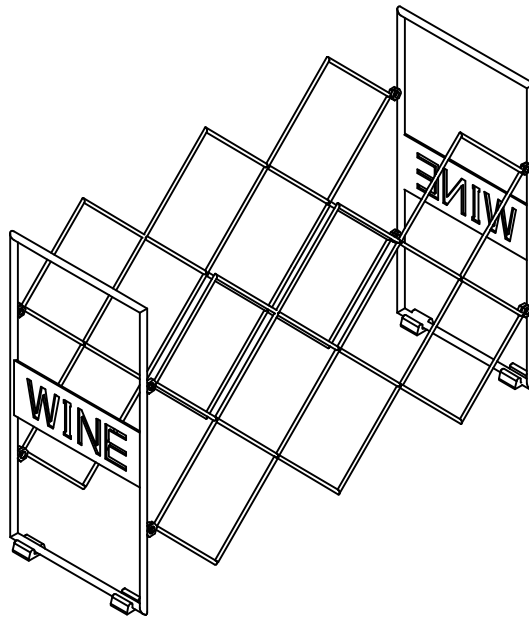


ASSEMBLY INSTRUCTIONS


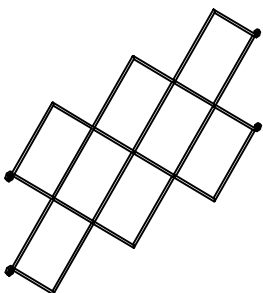
Wine Rack



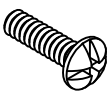
NOTE TO CUSTOMERS:

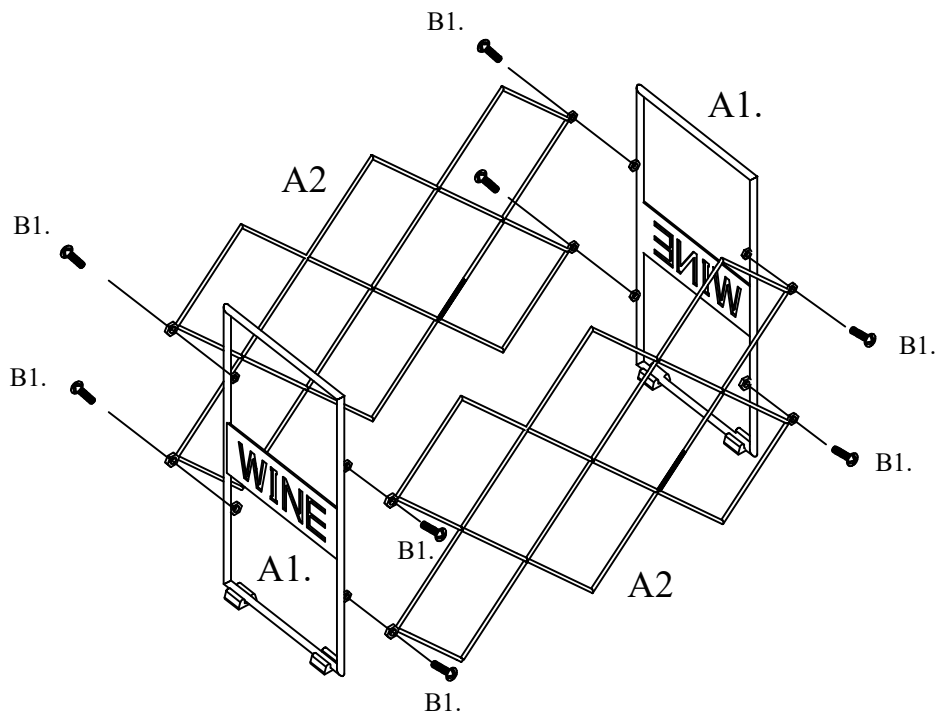
- For ease and speed of assembly we recommend that before you commence each step of the assembly that you identify all the parts required to complete that step.
- We recommend that where possible you allow sufficient space to assemble the item as close as possible to the place where it will be once assembled.
- For the protection of your furniture we recommend that the product is placed on protected surfaces during assembly to prevent any damage.
- During assembly do not over tighten, as this may damage the product.
- Please ensure you retain all the product packaging until the item completely assembled.
- Please periodically check all fittings and re-tighten as necessary.
- Please never allow any liquids to remain on your furniture as absorption can cause the wood to warp or finish to de-laminate.
- It is recommended that this item should be assembled by two adults.

Part List

<p>A1.</p>  <p>Side Frame</p>	<p>Quantity of 2</p>	<p>A2.</p>  <p>Wine Rack</p>	<p>Quantity of 2</p>
--	--------------------------	--	--------------------------

Hardware List

<p>B1.</p>  <p>Bolt</p>	<p>Quantity of 8</p>
--	--------------------------



Assemble Side Frames A1 to Wine Rack A2 using Bolts B1.
Place the wine rack on a flat surface and check if it is stable before
tightening all bolts.