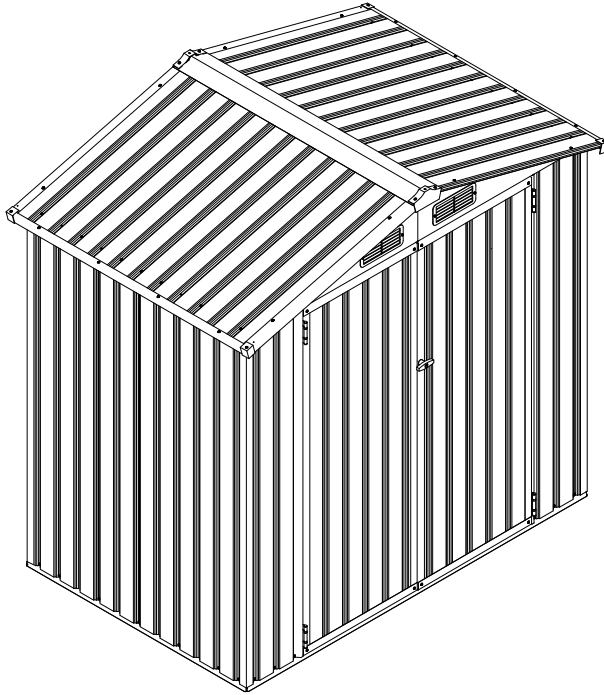


# 4X6 FT STORAGE SHED

## Installation Manual



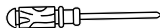
TSS002-N01-S



**Please prepare following tools before installation.**  
**(These tools are not Included in our package)**



Electric Screwdriver



+ Manual Screwdriver



Ladder

#### Tools Included in package



Gloves X 1 Pair



Spanner X 1

## ATTENTION:

Please read this instruction carefully before start and follow it strictly during installation. Ensure that there is no problem later due to installation errors.

## Installation Notes

Please check the quantity of all the components before installation, (Please refer to the Component Lists) to render a general view of the product. Please make sure you've received the coherent product before installation. If there is any problem, please contact us directly.

Make sure the colored panels are facing outwards and all the holes are matched. The panels are textured. Please install the panels in specified order just as indicated by this installation manual. All the lines and holes must be accurately matched to make the storage shed more stable. Please ensure that all screws are tightened to prevent the product from falling apart.

There is a protective film on the surface to protect the product, please tear it off after installation to get the final presentation. If you did not damage the film during installation, it can also remain on the product to as protection.

Please place the product on flat ground to prevent leaning and collapse. If the ground is uneven, the door may not be closed.

## Safety Precautions

We recommend **two adults** to complete the installation, thus it will make the installation process easier and safer.

The gloves must be worn to prevent hand cuts during installation.

Take care when using power tools near water the use of a residual current device, (RCD) is advised. Please use the electric driver carefully during screwing to prevent the screw from slipping and hurting your hand. (We recommend that beginners to use a manual screwdriver for installation.) Be careful, do not fall when installing the roof. Please keep steady the ladder and make sure the product placed on flat ground.

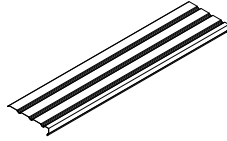
**PLEASE KEEP THIS INSTRUCTION FOR FUTURE REFERENCE.**



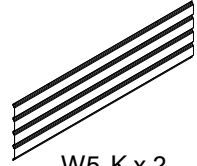
## Component List - Carton 1



K46-7L x 2



W5-C x 4



W5-K x 2



K46-7M x 2



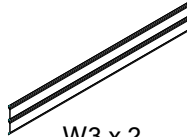
W5 x 6



W2-HL x 1



K46-7R x 2

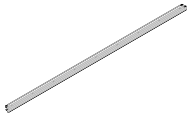


W3 x 2



W2-HR x 1

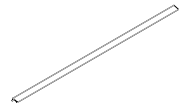
## Component List - Carton 2



K46-1 x 2



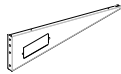
K46-5L x 2



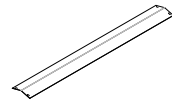
K46-9 x 2



K46-2 x 2



K46-5R x 2



K46-10 x 1



K46-3 x 2



K46-6 x 2



UA x 2



K46-4 x 2



K46-8 x 4



DA x 2





DLA x 1



DRA x 1



DDA x 4



DBA x 4



C3 x 4



GC x 4



GE x 2



GF x 4



T-F x 4



F1 x 232



F2 x 39



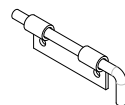
F3 x 32



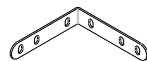
V2 x 218



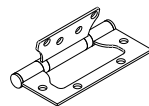
F4 x 4



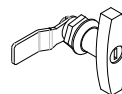
DC x 2



C2 x 4



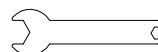
DH x 4



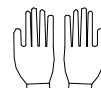
GL x 1



SL x 38



M20 x 1



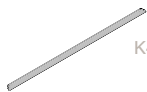
ST x 1

DO NOT FULLY TIGHTEN ALL SCREWS UNTIL ASSEMBLY IS COMPLETED.





# Shed Base Frame Assemble

**1.1**

K46-1 (x2)



K46-2 (x2)



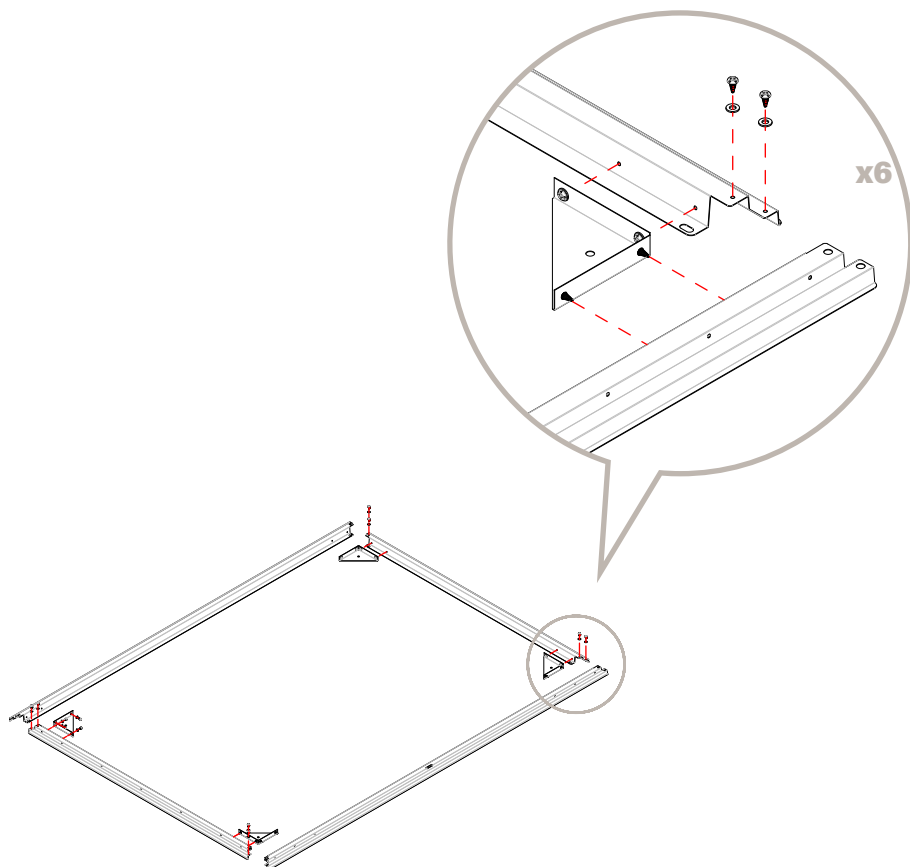
T-F (x4)



V2 (x24)

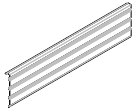


F1 (x24)



# Shed Side Panels Assemble

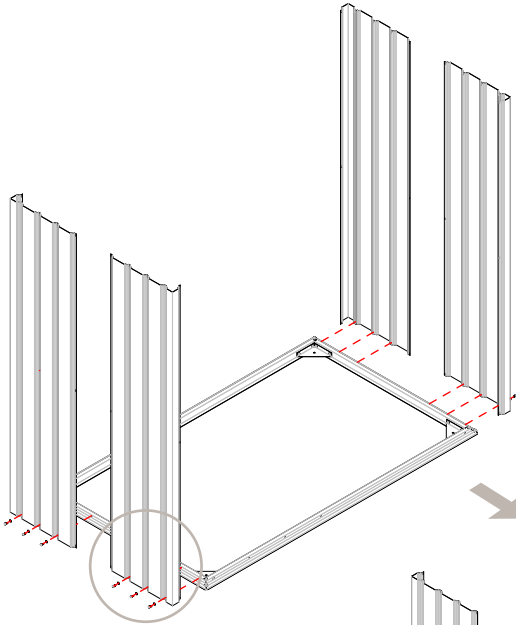
2.1



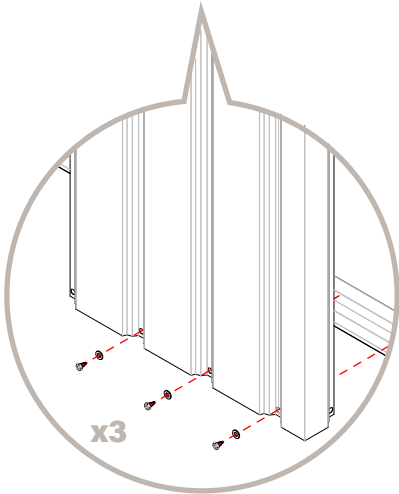
W5-C (x4)

⊙ V2 (x12)

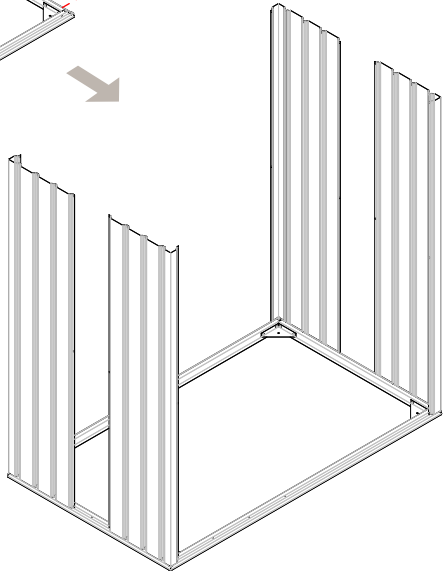
▼ F1 (x12)



top view

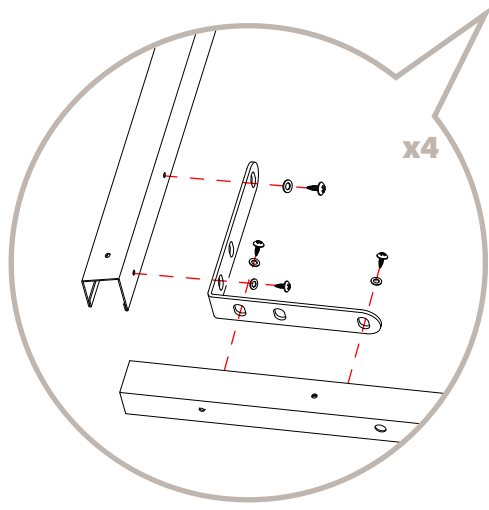
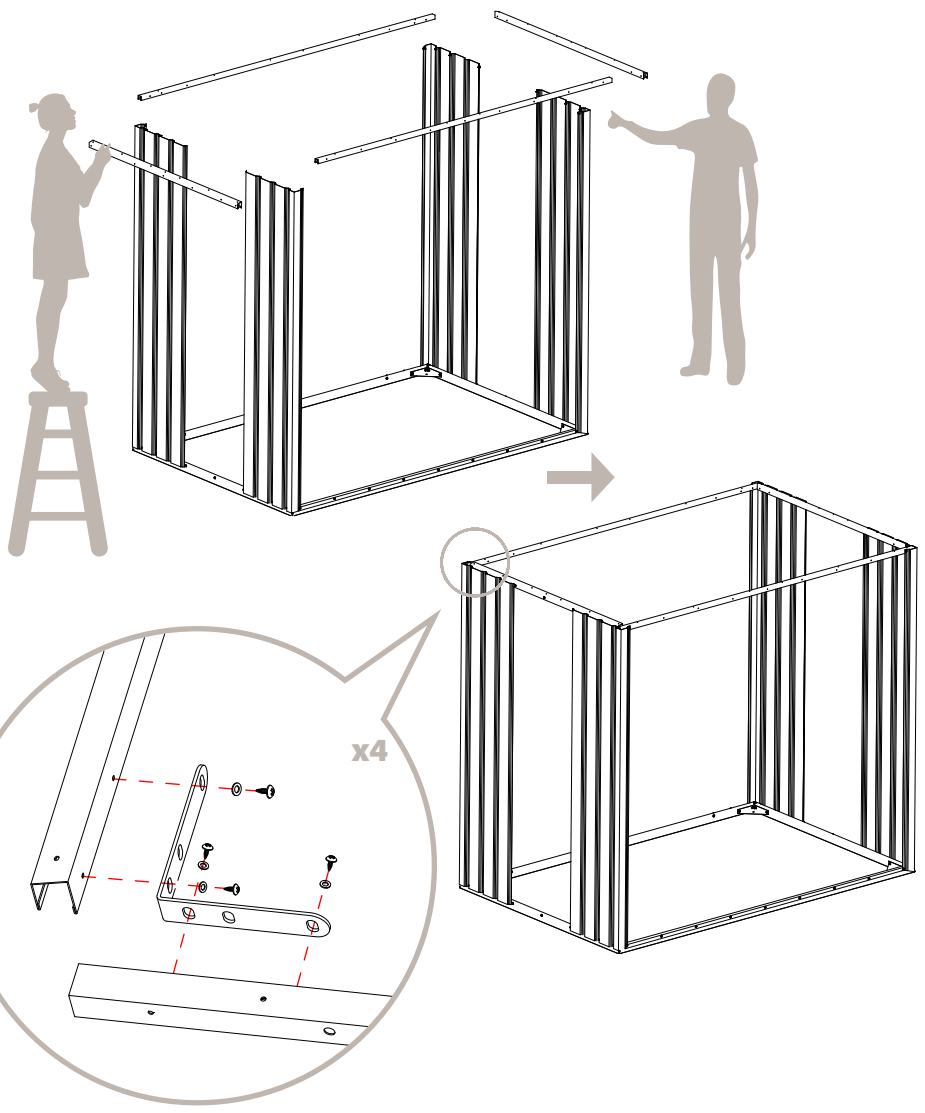


x3



2.2

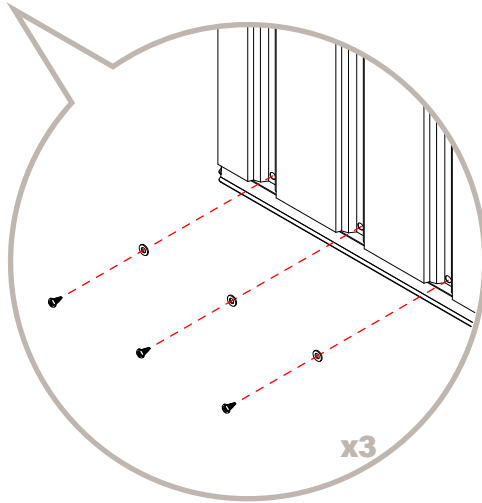
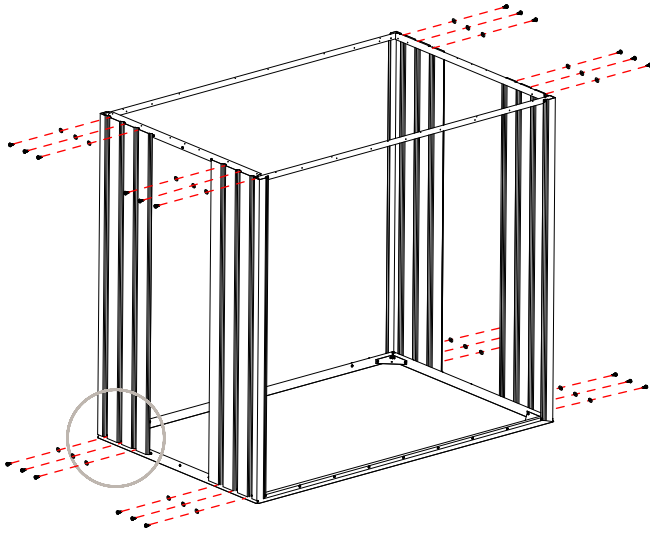
- K46-3 (x2)
- K46-4 (x2)
- V2 (x16)
- F1 (x16)
- C2 (x4)



2.3

⊙ V2 (x24)

▼ F1 (x24)



2.4

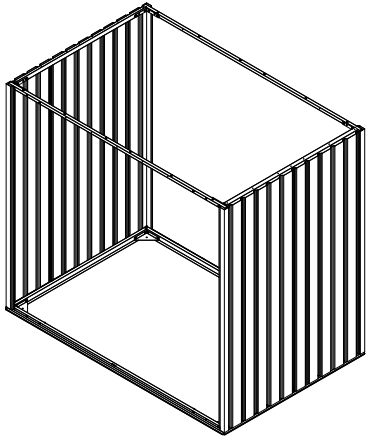
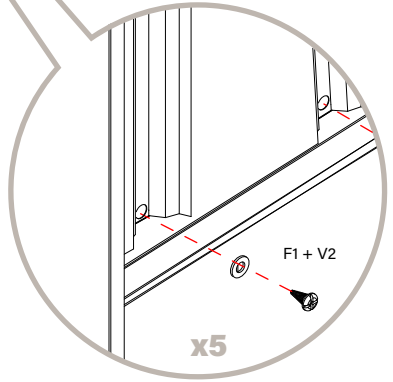
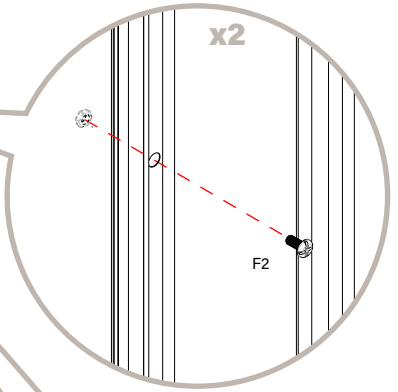
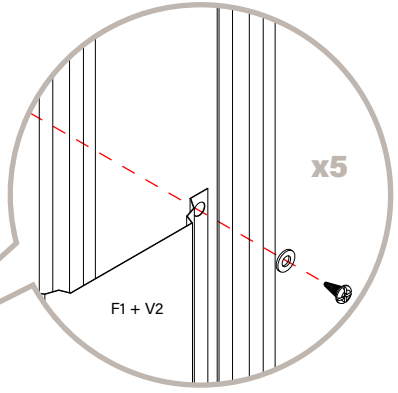
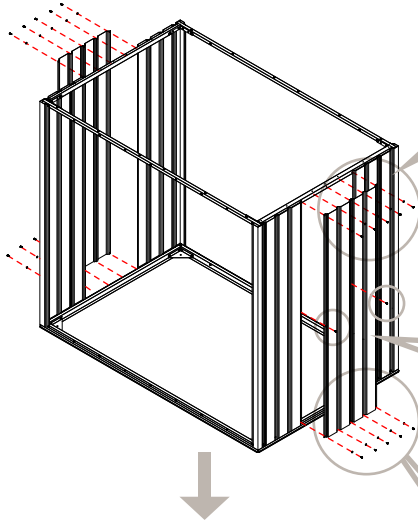


W5 (x2)

@ V2 (x20)

F1 (x20)

F2 (x4)



# 2.5

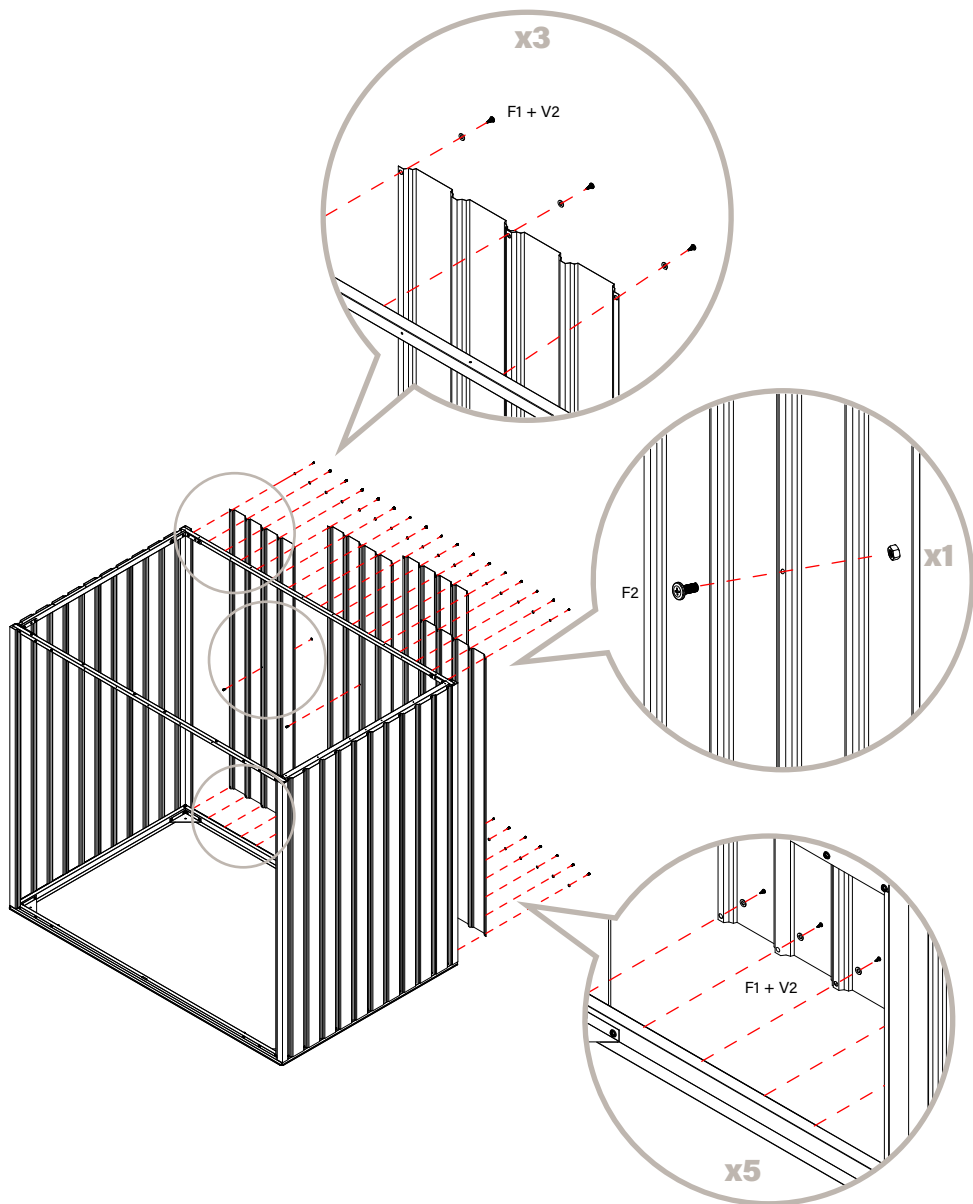


W5 (x4)

@ V2 (x34)

F1 (x34)

F2 (x5)



2.6

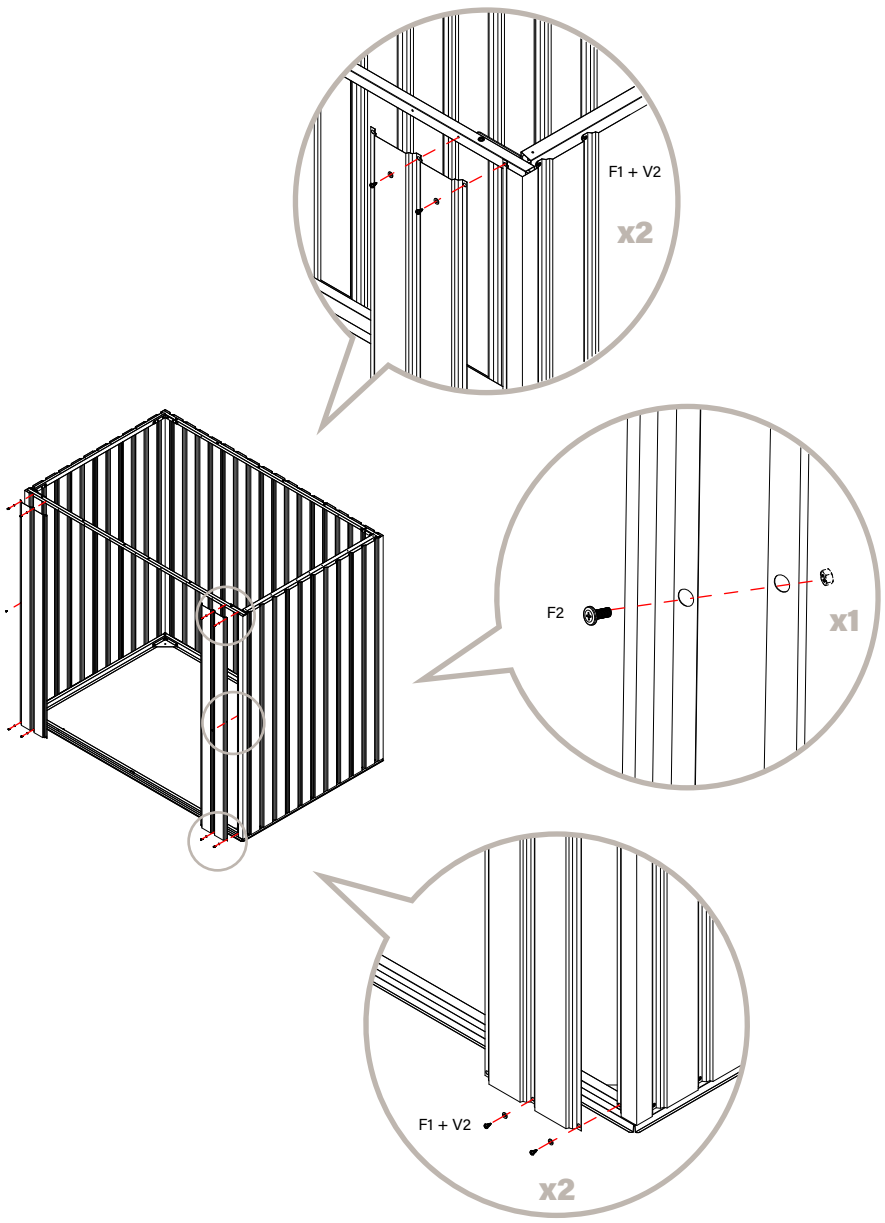


W3 (x2)

@ V2 (x8)

F1 (x8)

F2 (x2)



# 2.7

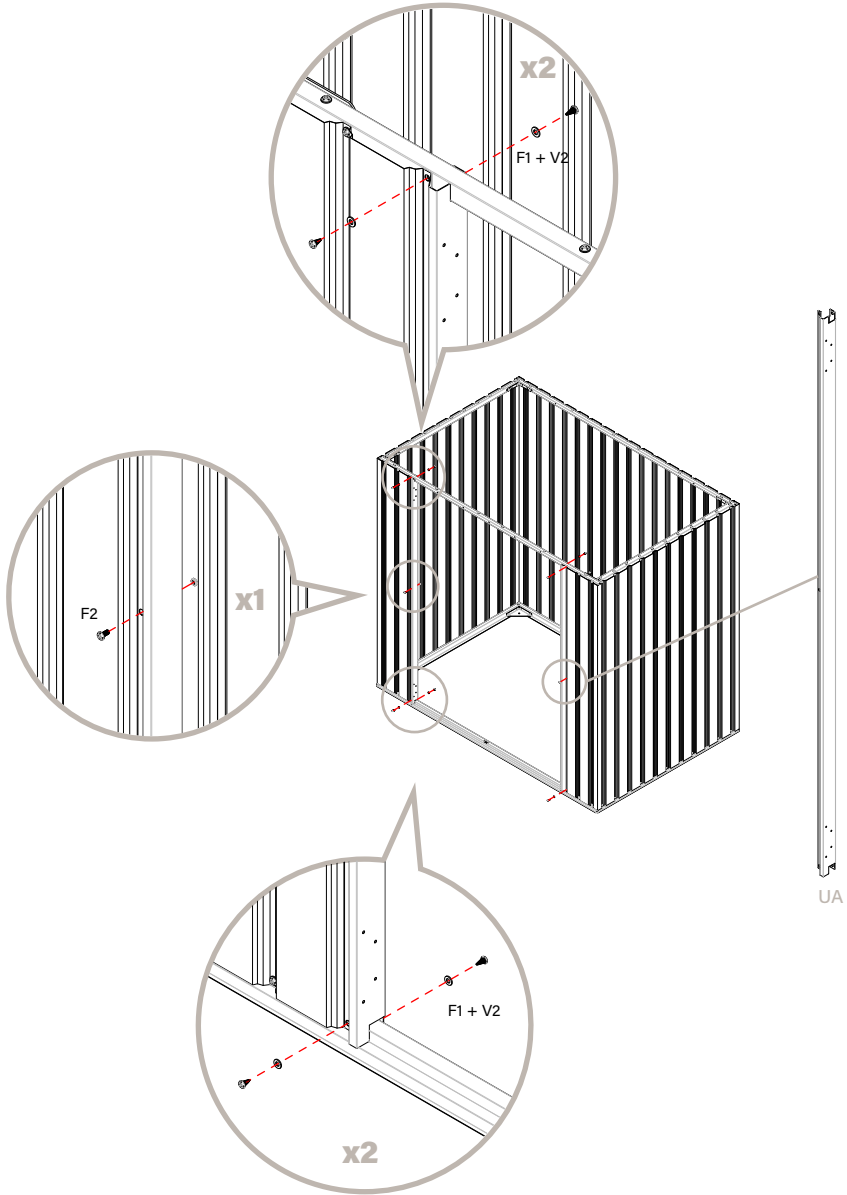


UA (x2)

V2 (x8)

F1 (x8)

F2 (x2)



# Shed Top Frame Assemble


**3.1**


K46-5L (x2)



K46-5R (x2)



C3 (x4)



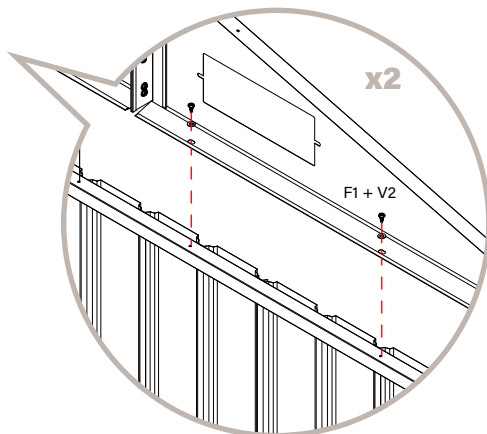
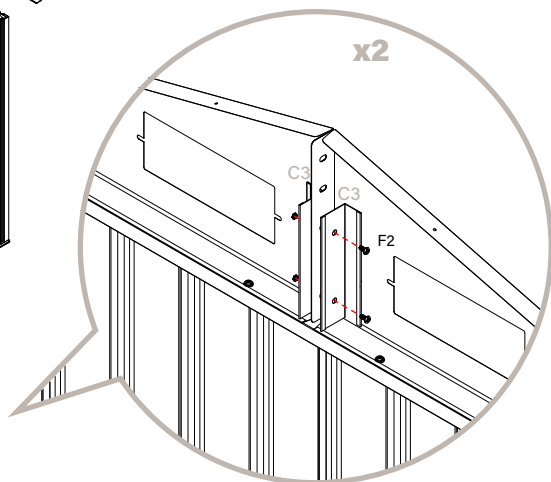
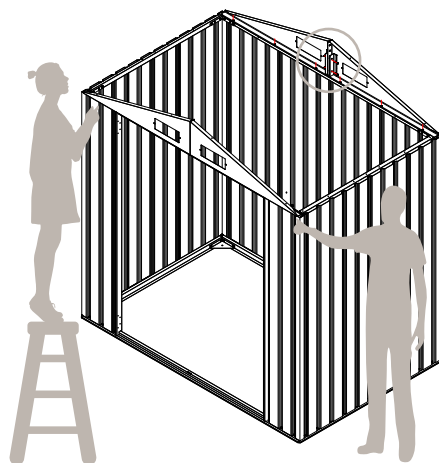
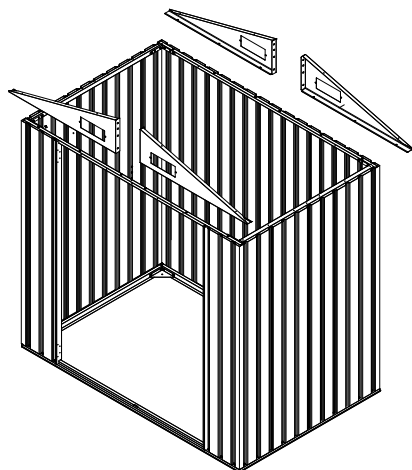
V2 (x12)



F1 (x12)



F2 (x4)



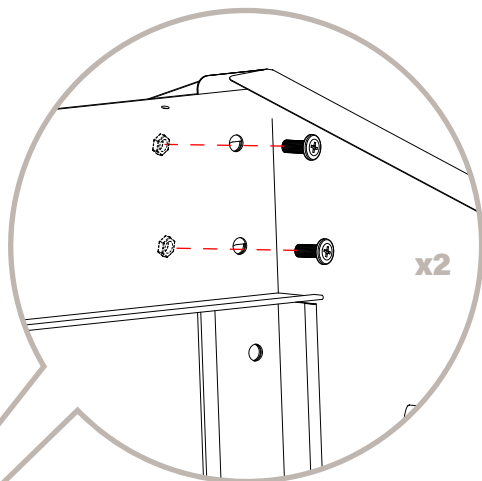
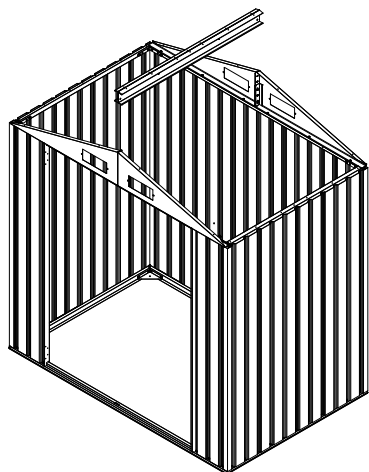
## 3.2



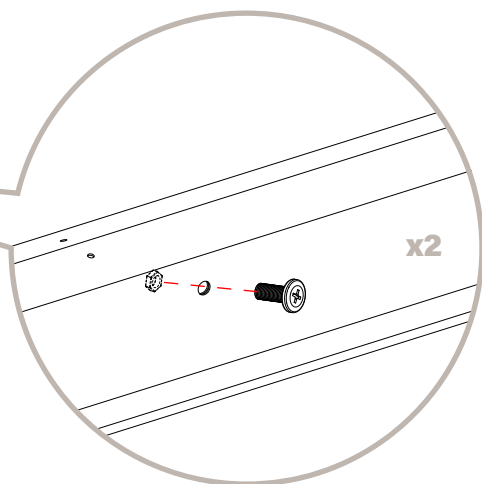
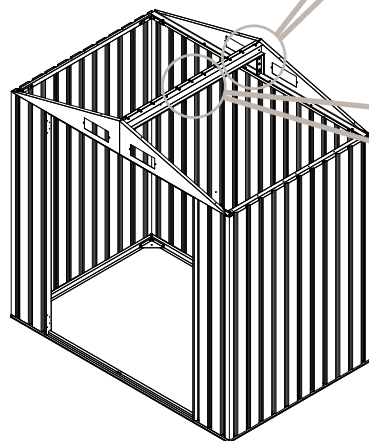
K46-6 (x2)



F2 (x6)



x2



x2

# Shed Top Panels Assemble

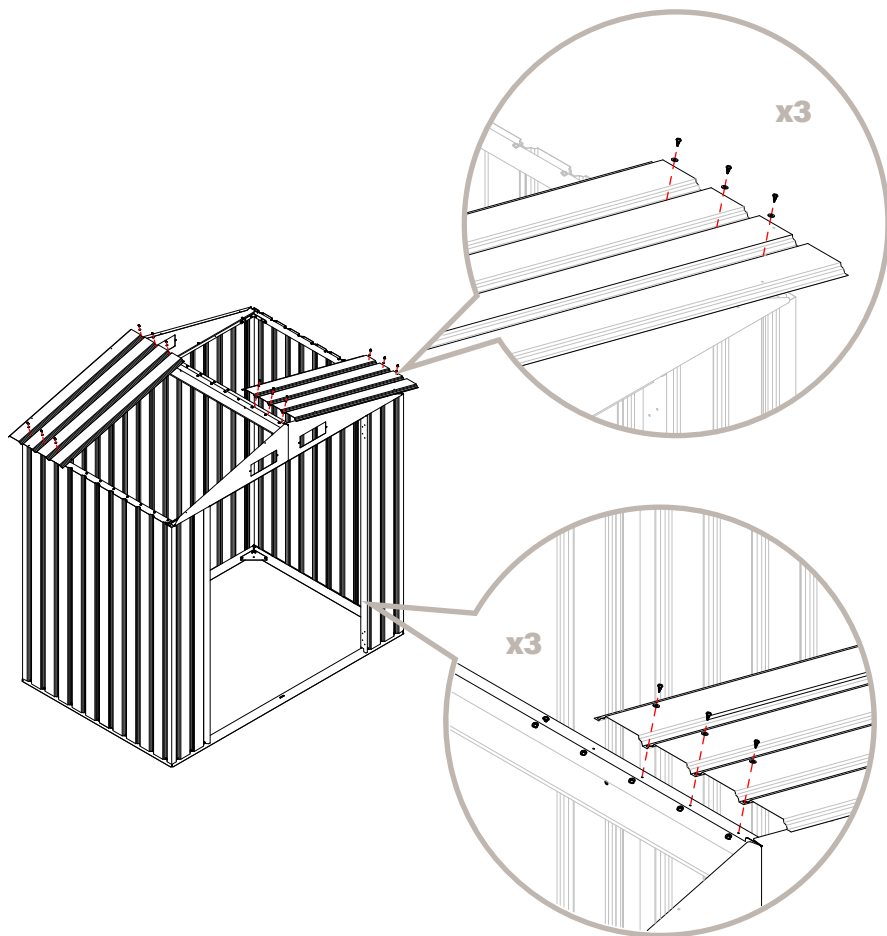
**4.1**

⊙ V2 (x12)

▼ F1 (x12)



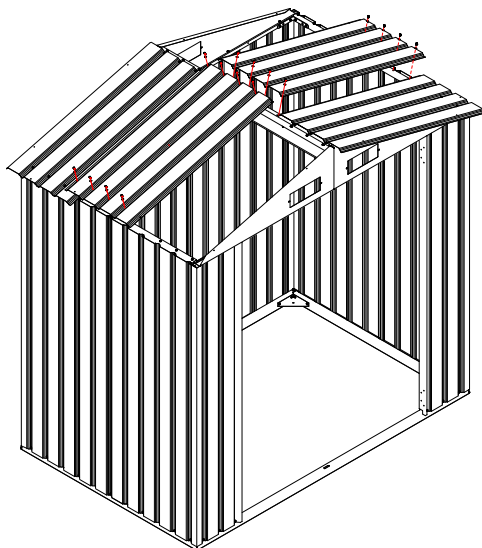
K46-7L (x2)



## 4.2

⊙ V2 (x16)

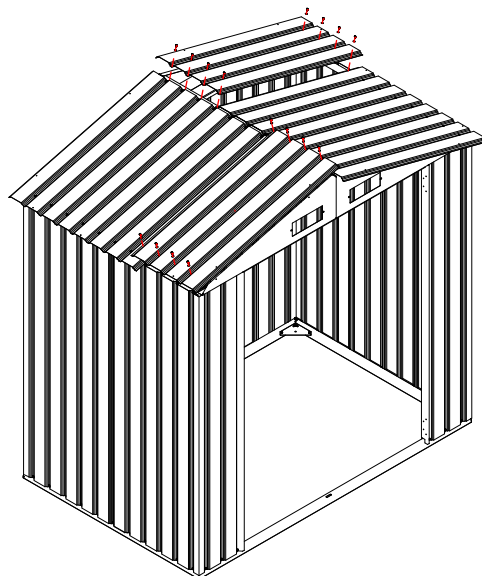
▼ F1 (x16)

 K46-7M (x2)

## 4.3

⊙ V2 (x16)

▼ F1 (x16)

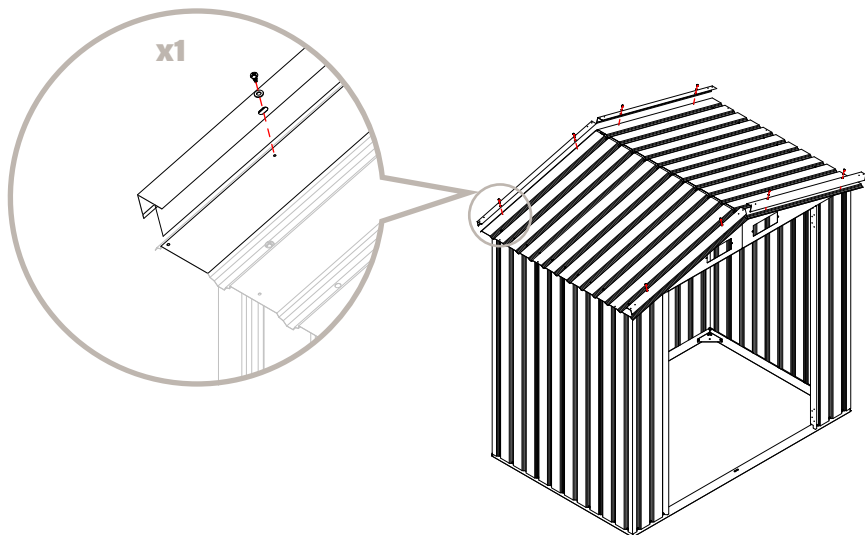
 K46-7R (X2)

4.4

 V2 (x8)

 F1 (x8)


K46-8 (x4)

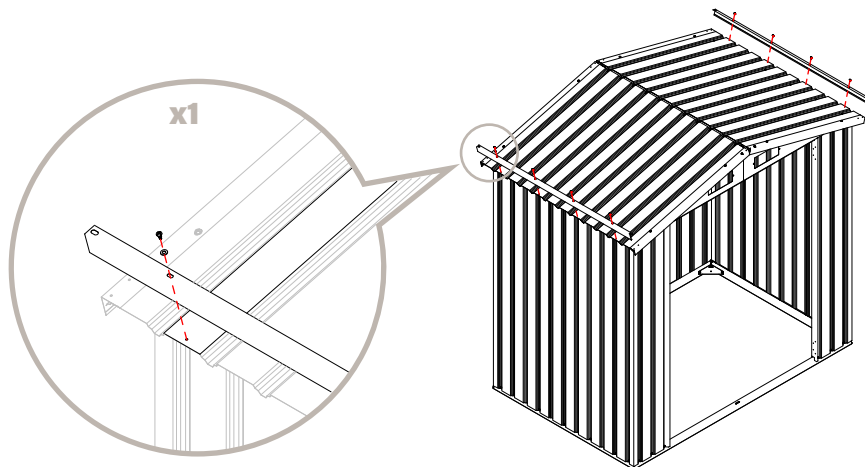


4.5

 V2 (x8)

 F1 (x8)


K46-9 (x2)



## 4.6



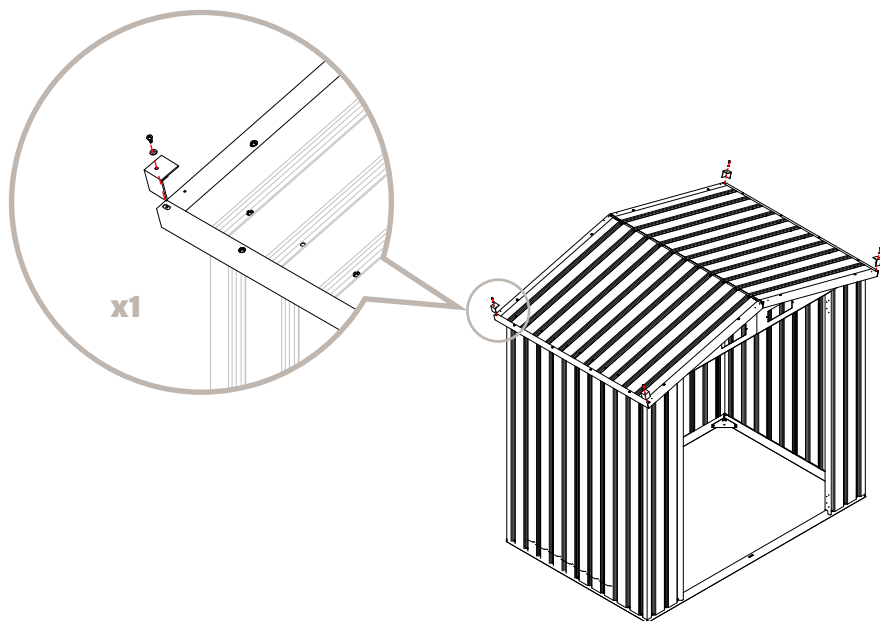
V2 (x4)



F1 (x4)



GC (x4)



## 4.7



V2 (x4)



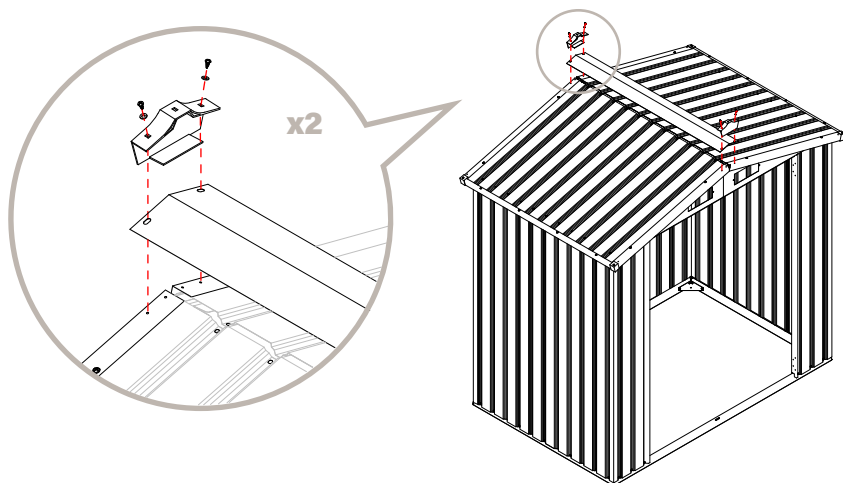
F4 (x4)



GE (x2)

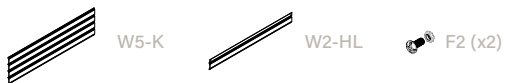


K46-10

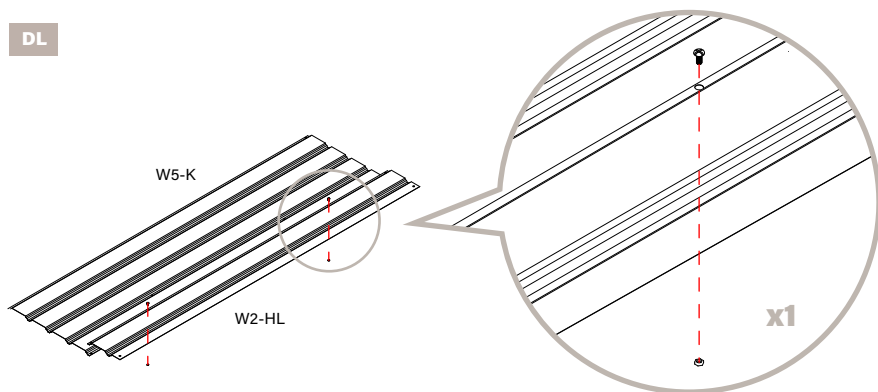


# Door Assemble

## 5.1



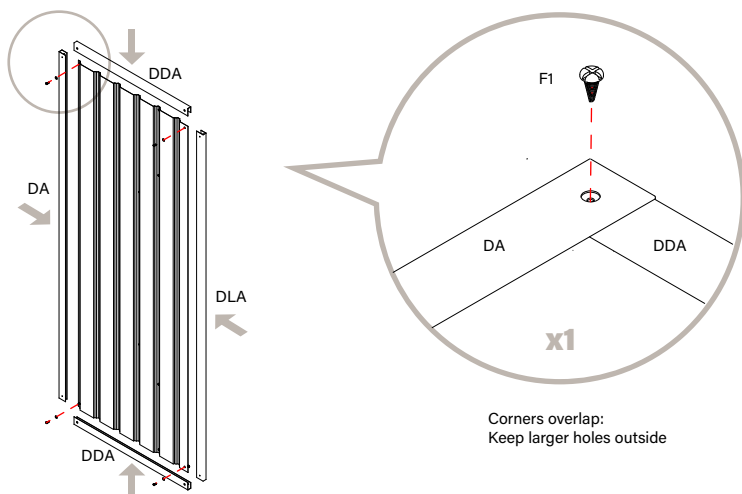
### DL



## 5.2



### DL



Corners overlap:  
Keep larger holes outside



# 5.3



DBA (x2)



V2 (x5)

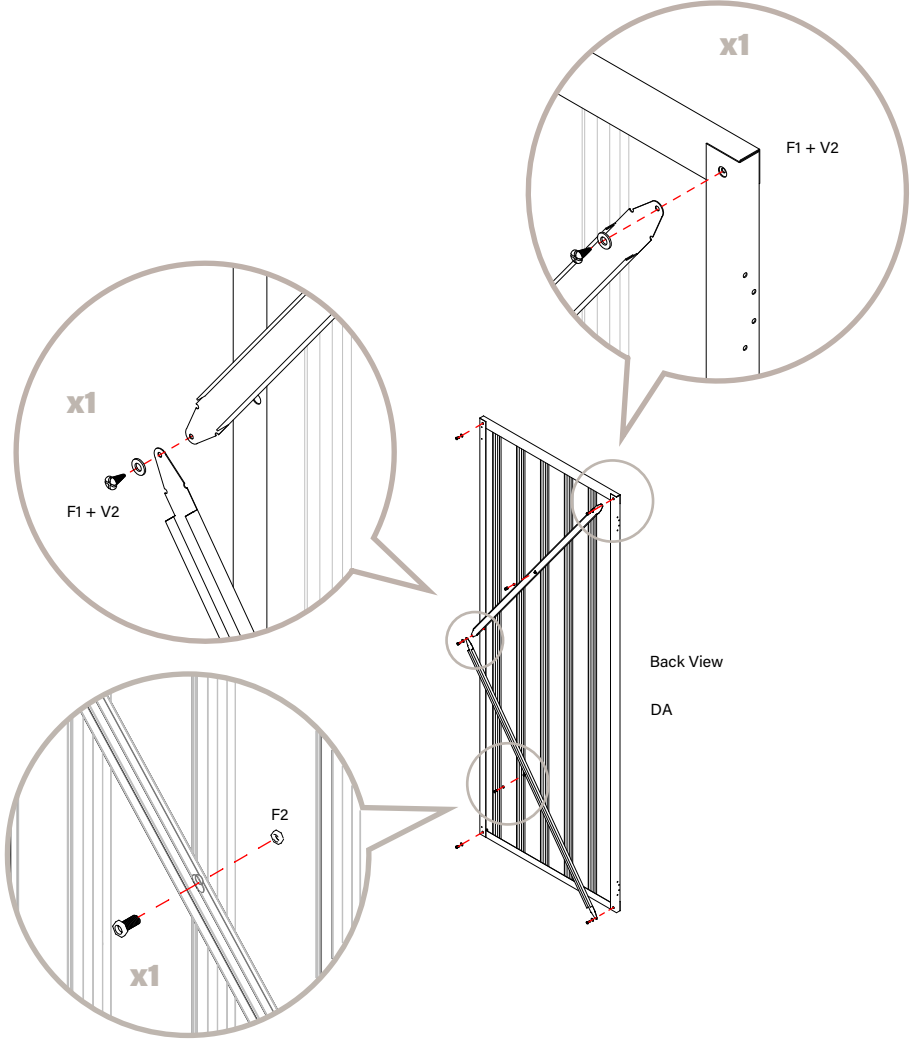


F1 (x5)



F2 (x2)

DL



5.4



K5-K

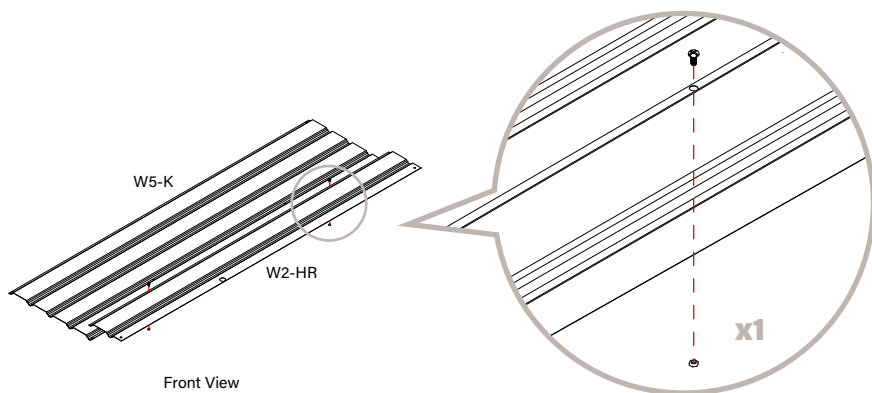


W2-HR



F2 (x2)

DR



5.5



DA



DRA

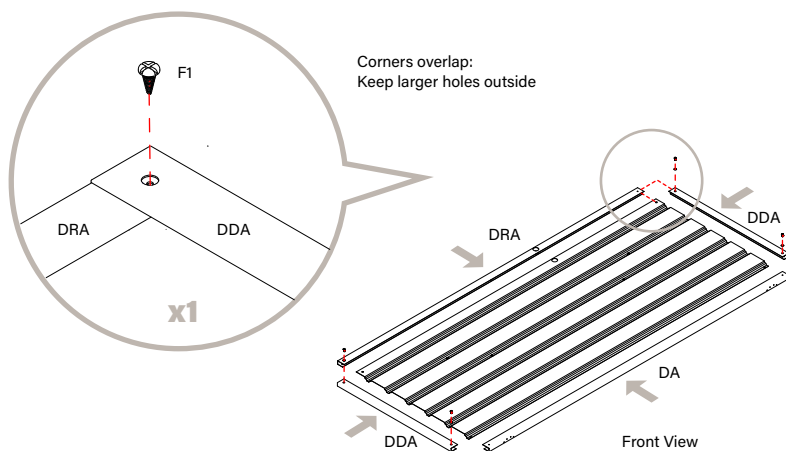


DDA (x2)



F1 (x4)

DR



# 5.6



DBA (x2)



V2 (x5)

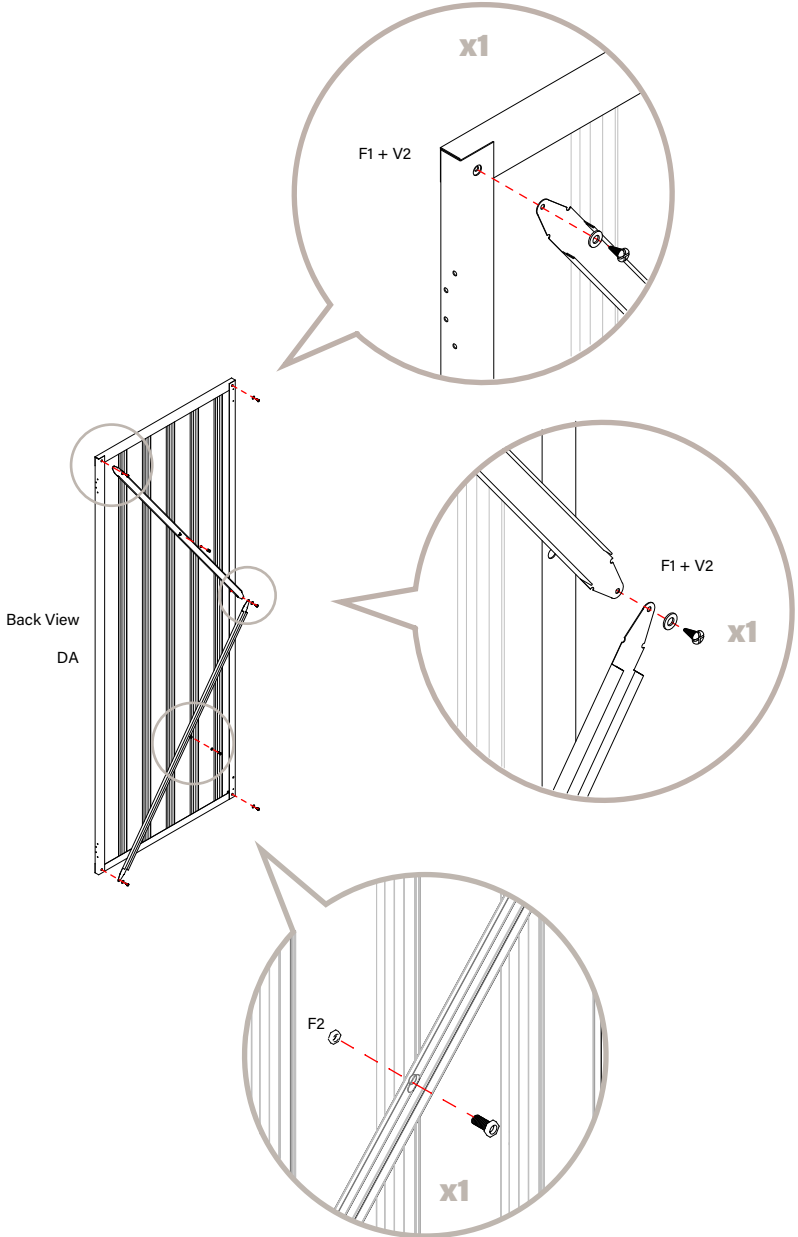


F1 (x5)



F2 (x2)

DR



5.7



DH (x2)

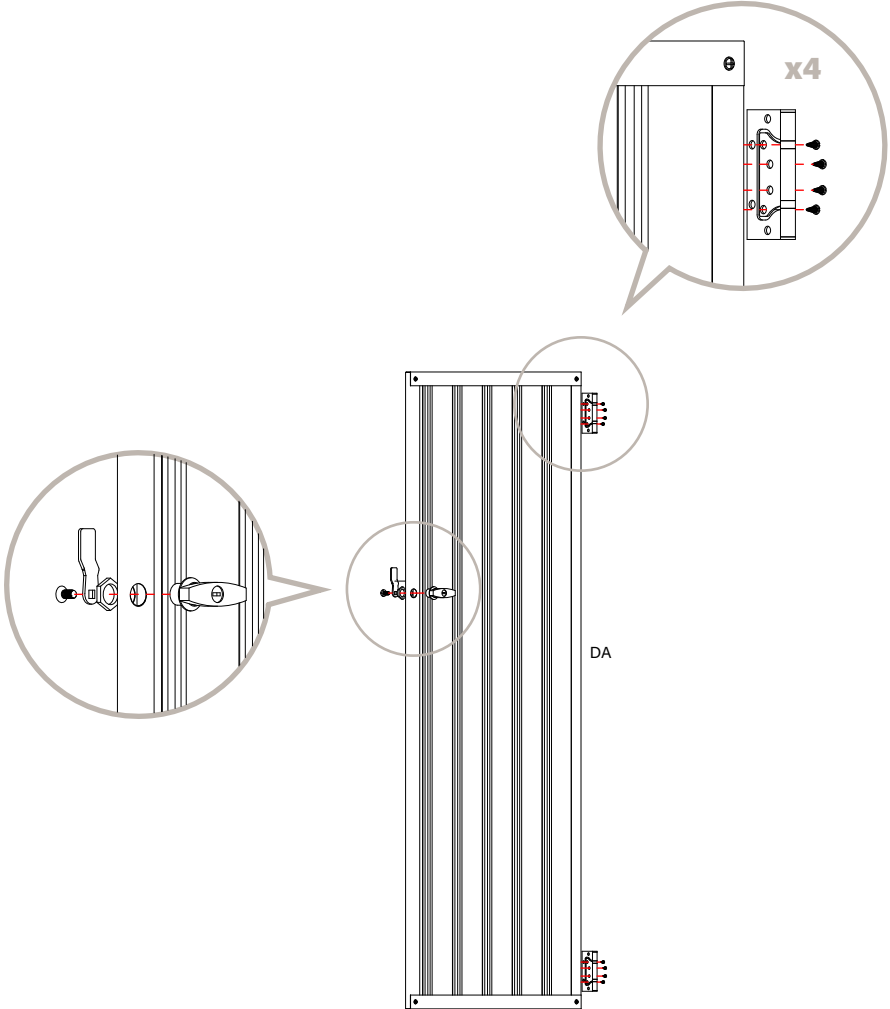


GL



F3 (x8)

DR



# 5.8



DH (x2)



DC (x2)



F3 (x8)

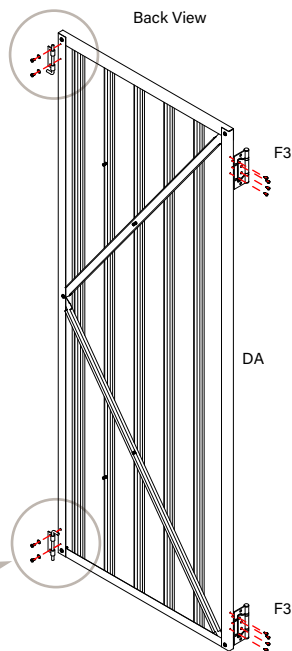
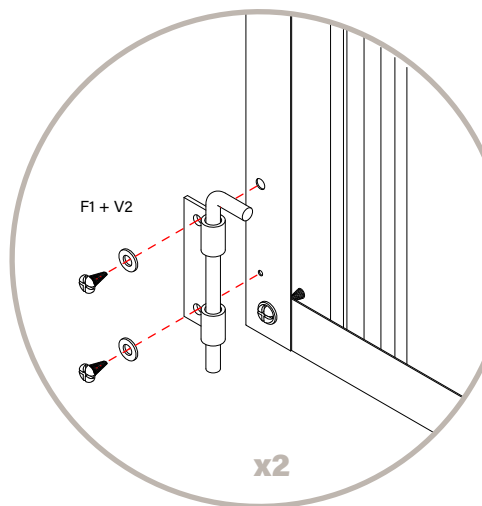
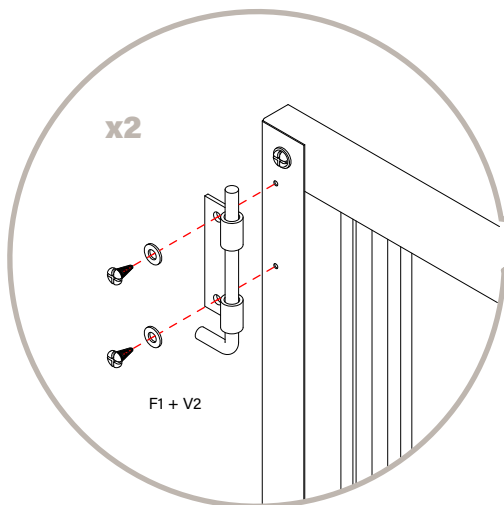


V2 (x4)



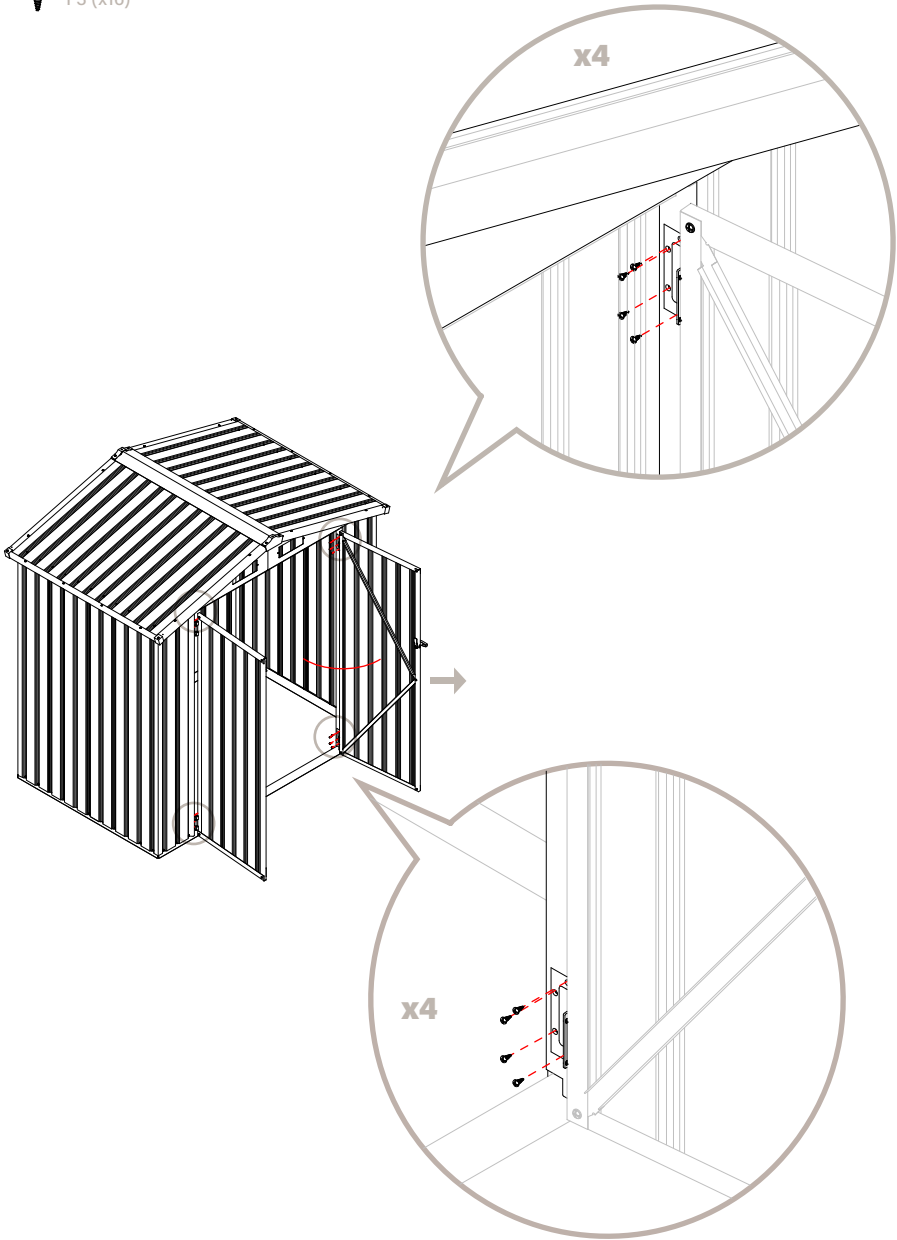
F1 (x4)

DL



5.9

F3 (x16)



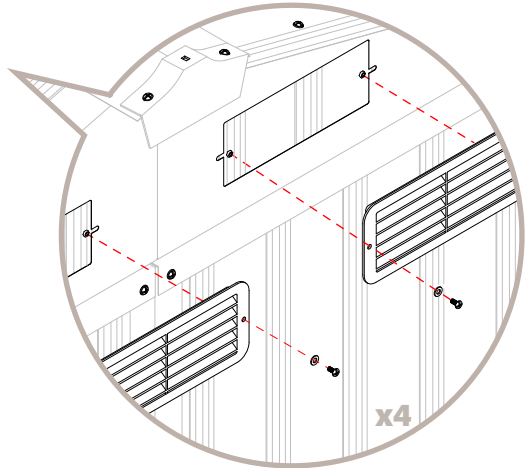
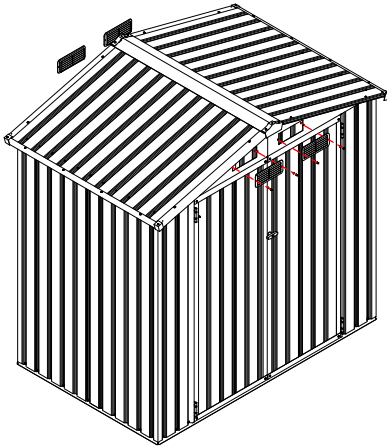
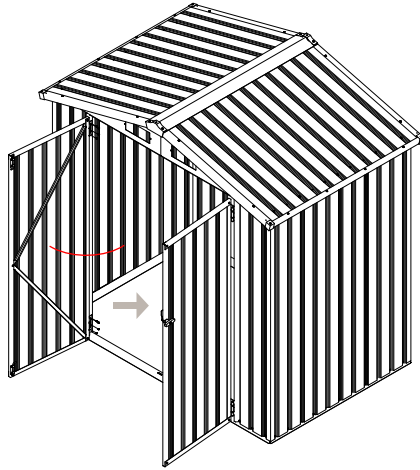
5.10



GF (x4)

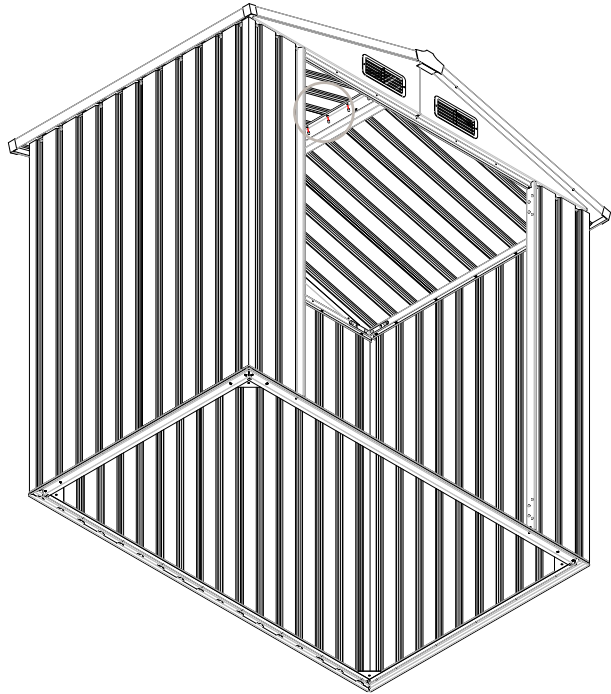
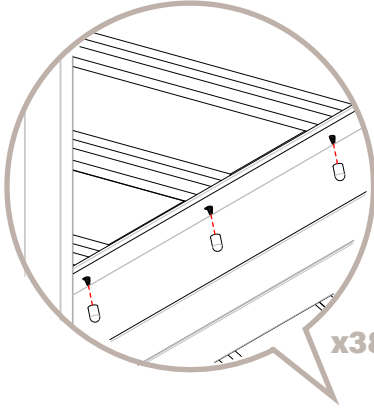


F2 (x8)

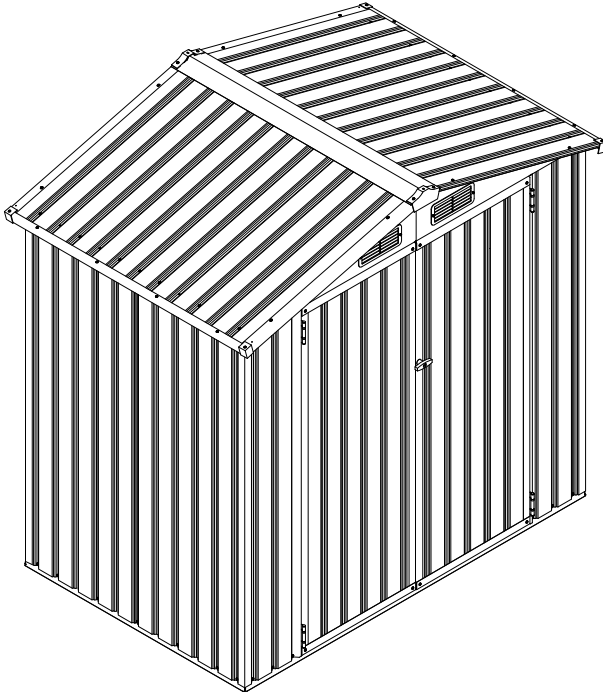


5.11

□ SL (x38)



# Complete







LAUSAIN  
HOME

---

a chic gathering

# CUSTOMER SERVICE LETTER

## BEFORE RETURNING THE GOODS



We would kindly ask you to contact the following email address **customerservice@lausaint.com** with detailed information listed below:

1. Order platform and order ID.
2. Please include the product name and article number.
3. Please specify the quantity of faulty parts, damaged parts, or missing components with photos. If possible, please highlight them in the component list section of the installation manual.



## Frequent Asked Questions:

1. If you ordered a multi-package item, the packages might arrive separately. The specification of package number is printed on the label.
2. Before contacting us for missing components, please check and make sure that all the packages are well received. Usually, all packages will be delivered within 3 business days.
3. If you haven't received all the packages after 3 business days, please contact us ASAP.



## Our Service Goals:

LAUSAINT HOME cares about every customer's shopping experience. If you have any questions, please feel free to contact us. Your satisfaction is our top priority. Your feedback motivates us to move forward and deliver stronger results.