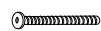
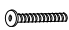







ASSEMBLY INSTRUCTIONS

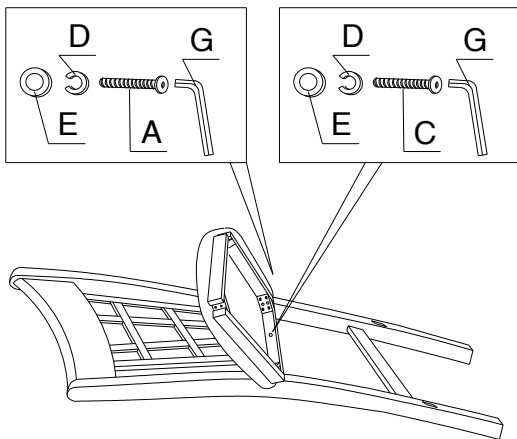
Important note :

- Place all parts on a clean and smooth surface such as a rug or carpet to avoid scratching the parts.
- Kindly follow the assembly instructions step by step.
- Do not tighten all screws and bolts until the chair is fully assembled.

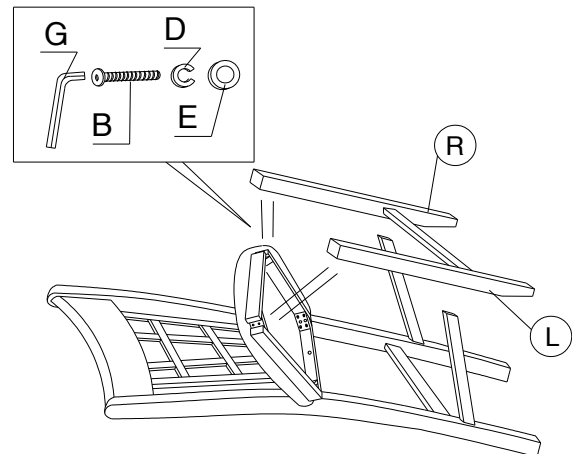
| NO | PART LIST | QTY |
|----|-----------------|-----|
| 1 | CHAIR BACK | 1 |
| 2 | FRONT LEG (L&R) | 2 |
| 3 | SIDE STRETCHER | 2 |
| 4 | FRONT STRETCHER | 1 |
| 5 | CUSHION SEAT | 1 |

| NO | HARDWARE LIST | QTY |
|----|---|-----|
| A | BOLT (LONG)  | 4 |
| B | BOLT (MEDIUM)  | 4 |
| C | BOLT (SHORT)  | 1 |
| D | SPRING WASHER  | 9 |
| E | FLAT WASHER  | 9 |
| F | SCREW  | 6 |
| G | ALLEN KEY  | 1 |

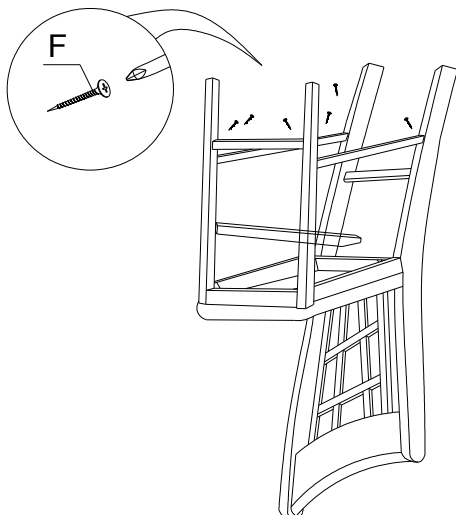
STEP 1 - Rear Leg Assembly



STEP 2 - Front Leg Assembly



STEP 3 - Stretcher Assembly



STEP 4 - Completed Chair

