

# Accessories



A\*36



B\*2



C\*2



D\*6



E\*12

Gentle reminder: Do not tighten the screws too tightly until the installation is complete.

# Panels

Note: the black dots on the panels are reserved screw holes.  
For easy installation please mark the numbers below on the  
panels you received accordingly.



①



②



③



④



⑤



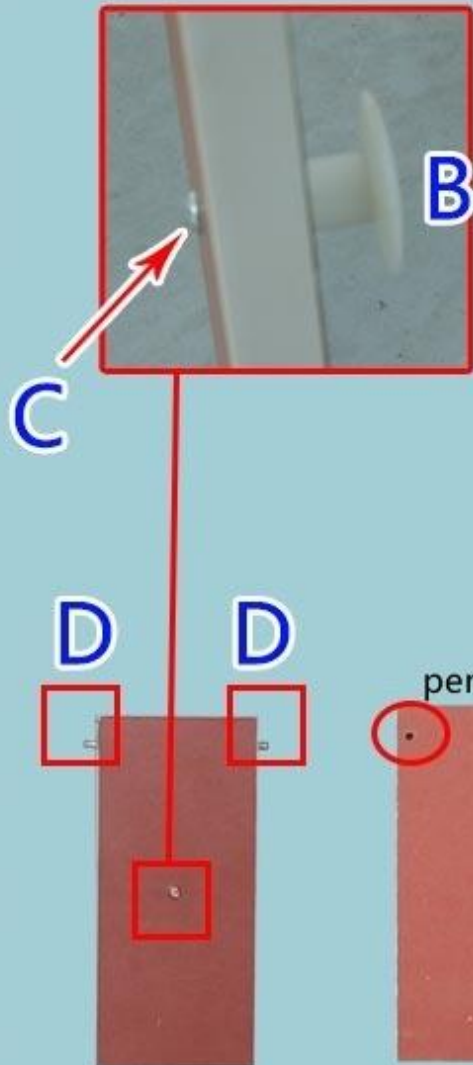
⑦



⑧



⑨



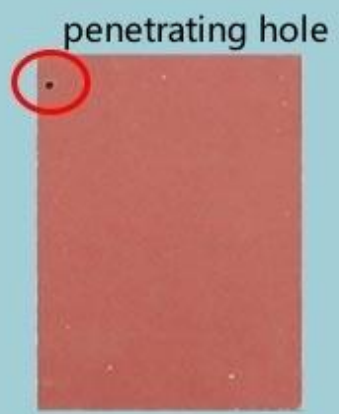
C

B

D

D

⑩x2



penetrating hole

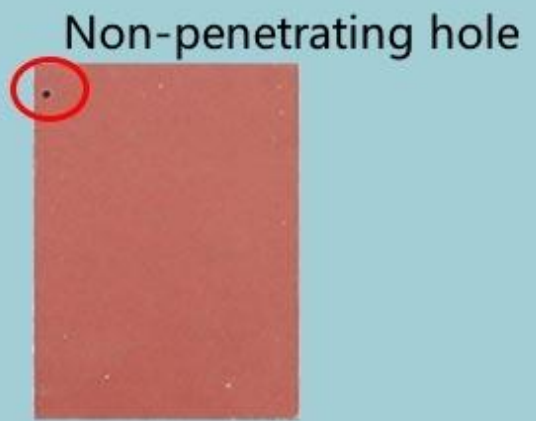
⑪



⑫



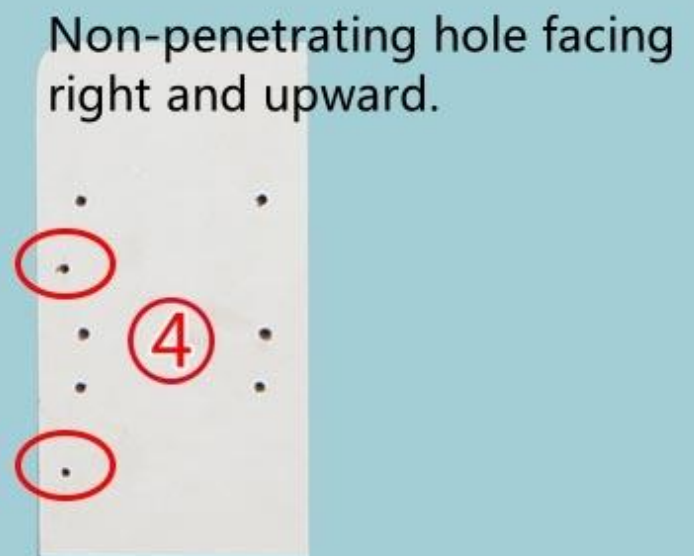
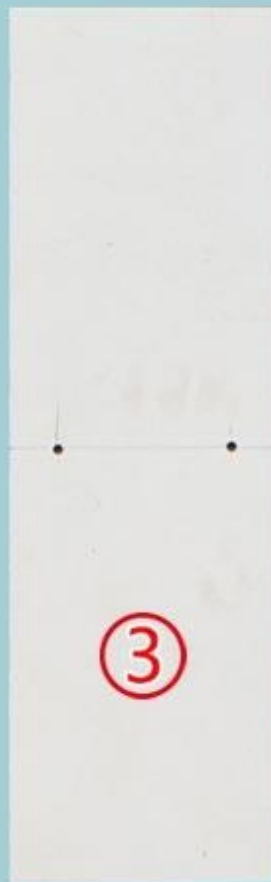
⑬ x2



⑭

# Installation Steps

<1>



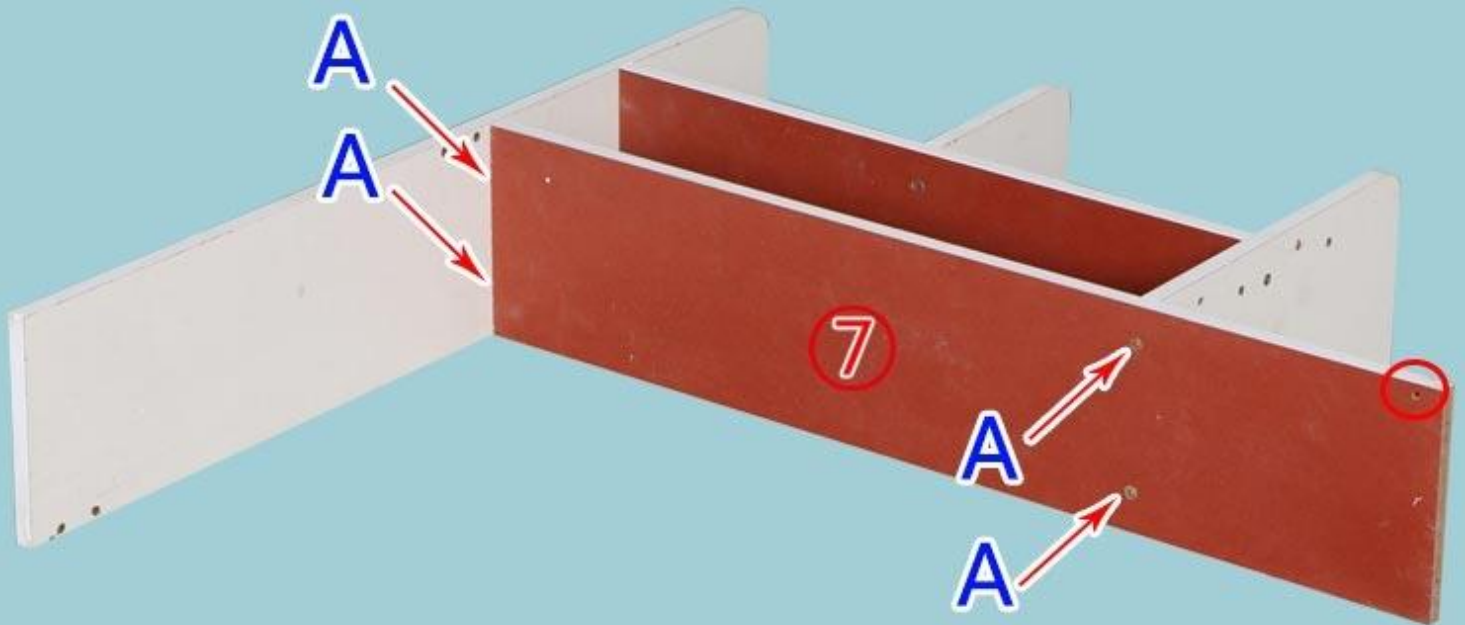
<2>



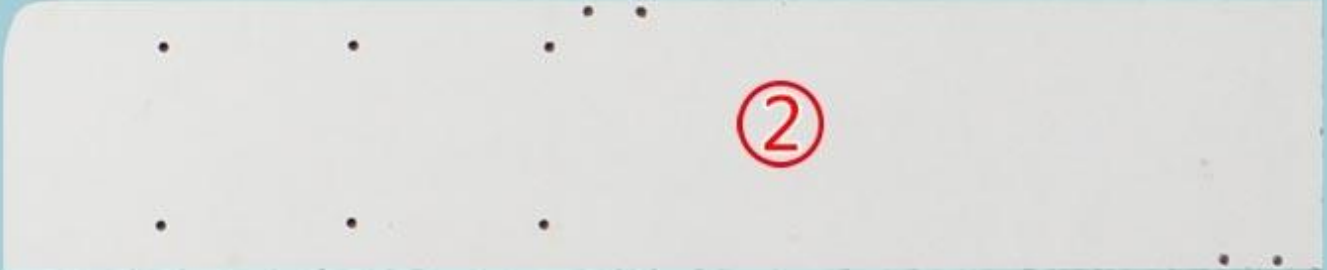
<3>



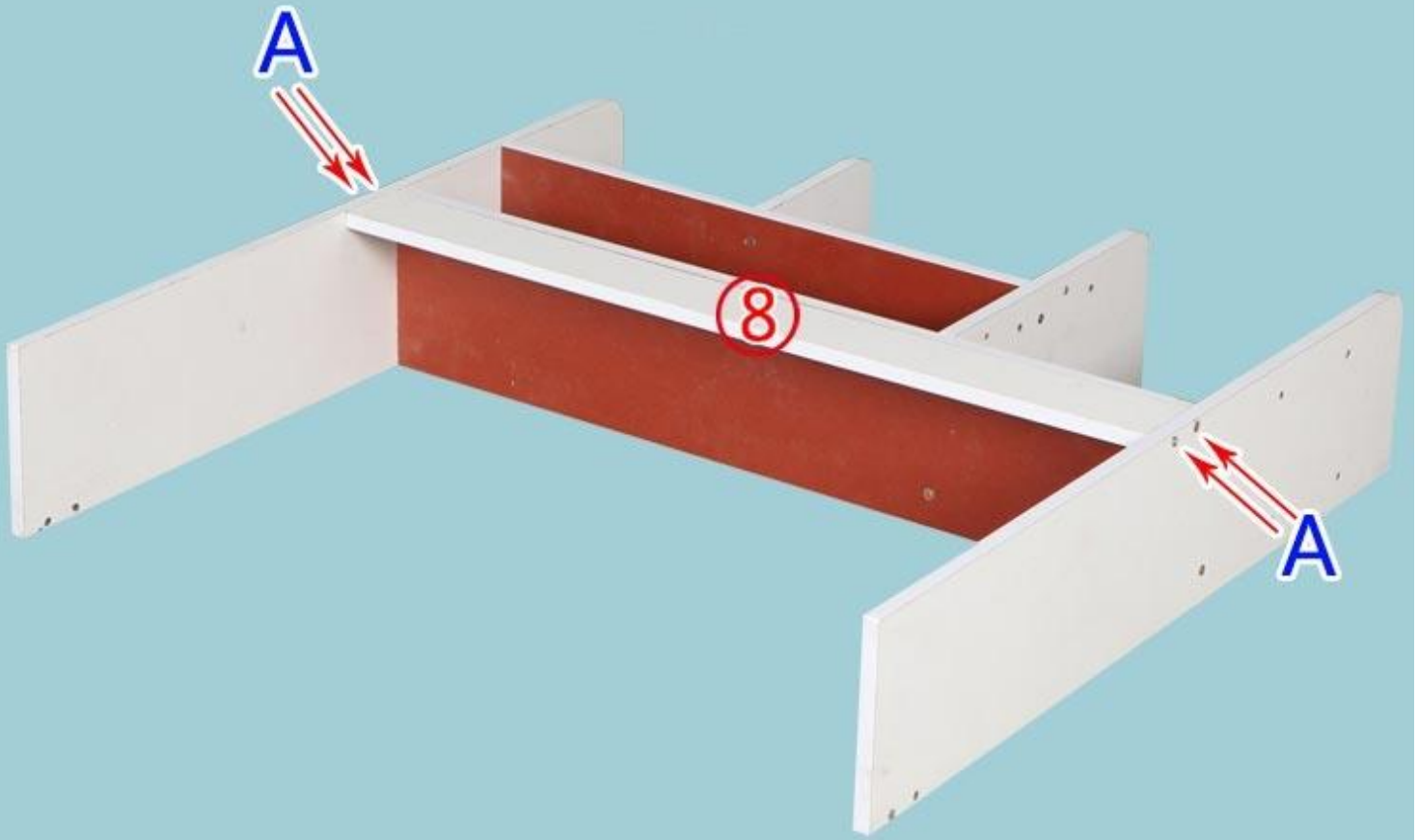
this small hole at right side and upward



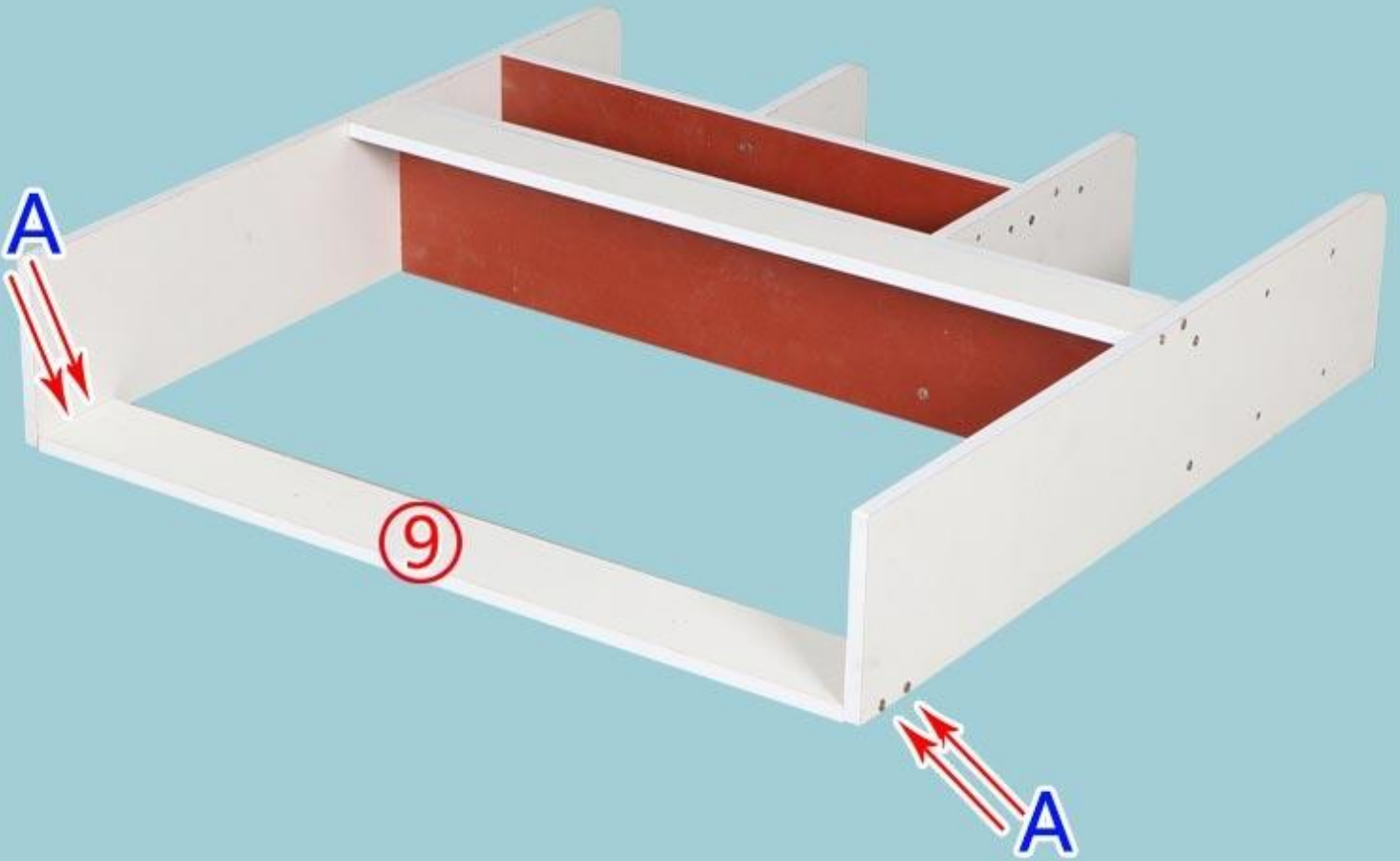
<4>



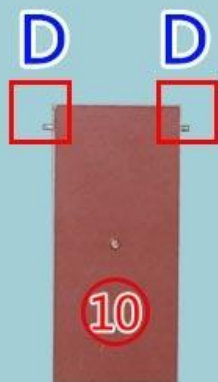
<5>



<6>



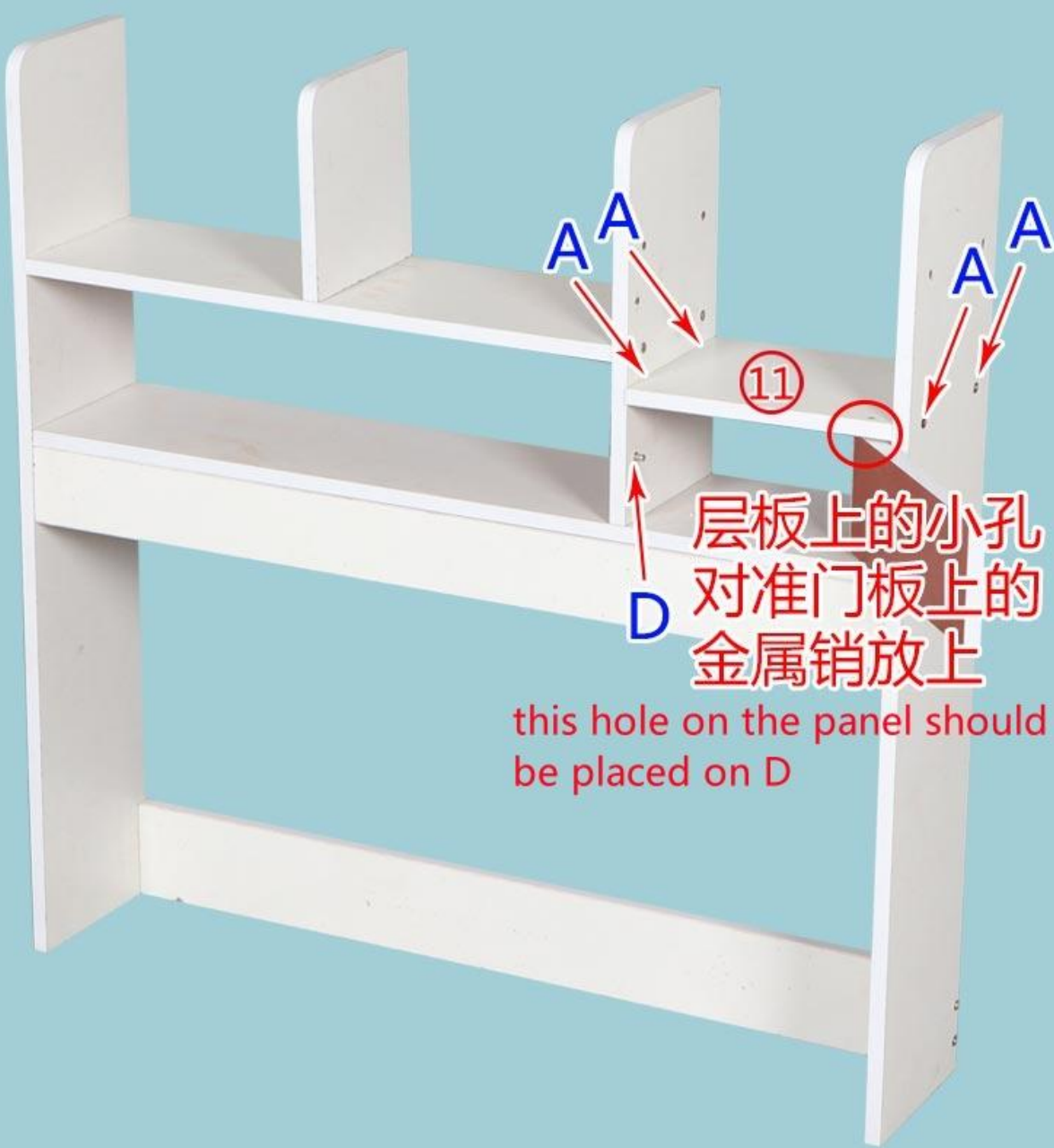
<7>



门板上的金属销  
对准下层板上的小孔插入  
insert D

<8>

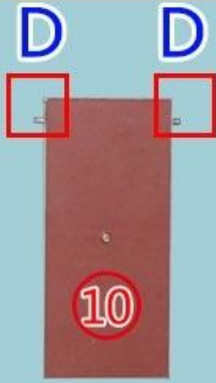
Penetrating hole



层板上的小孔  
对准门板上的  
金属销放上

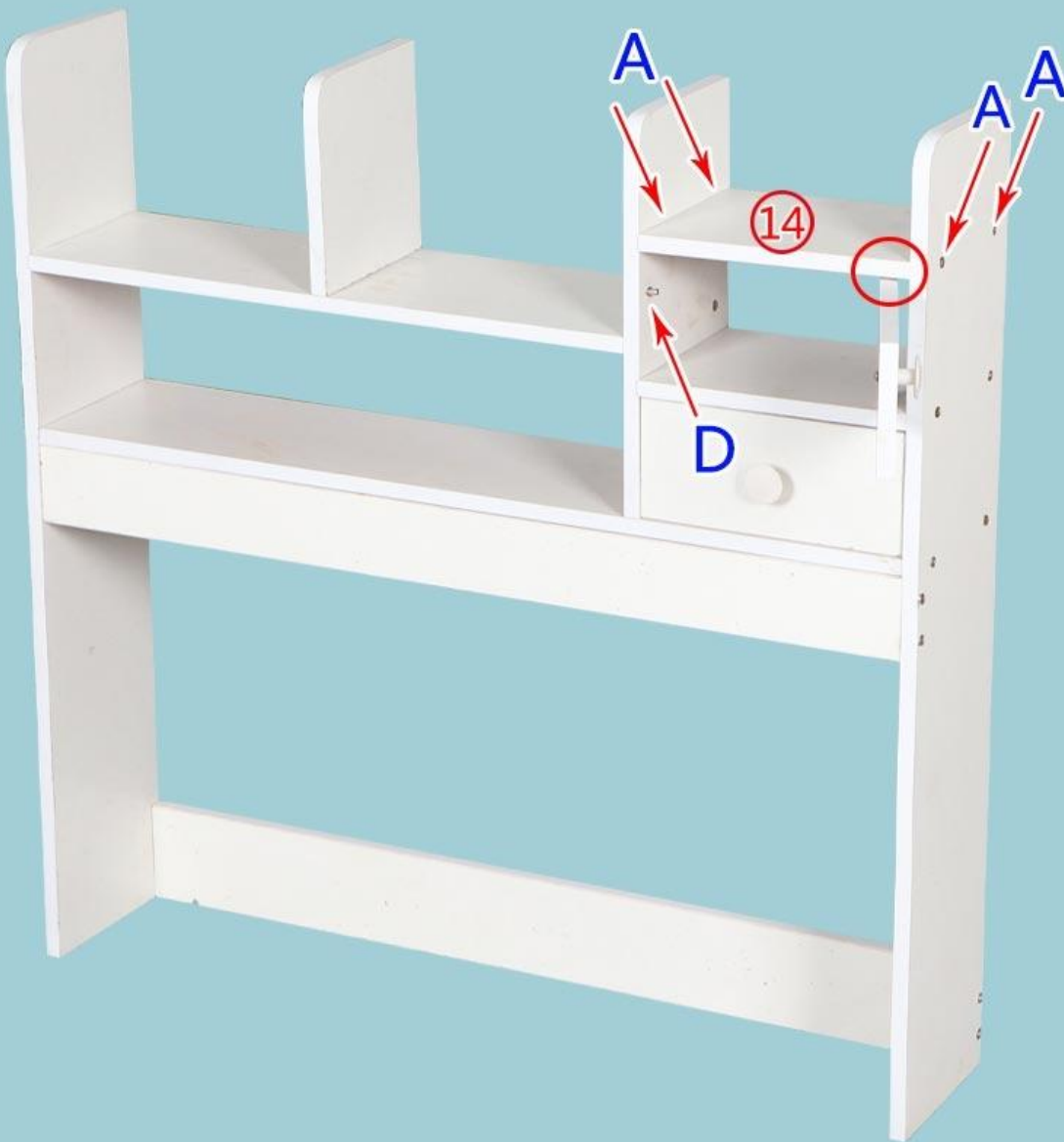
this hole on the panel should  
be placed on D

<9>

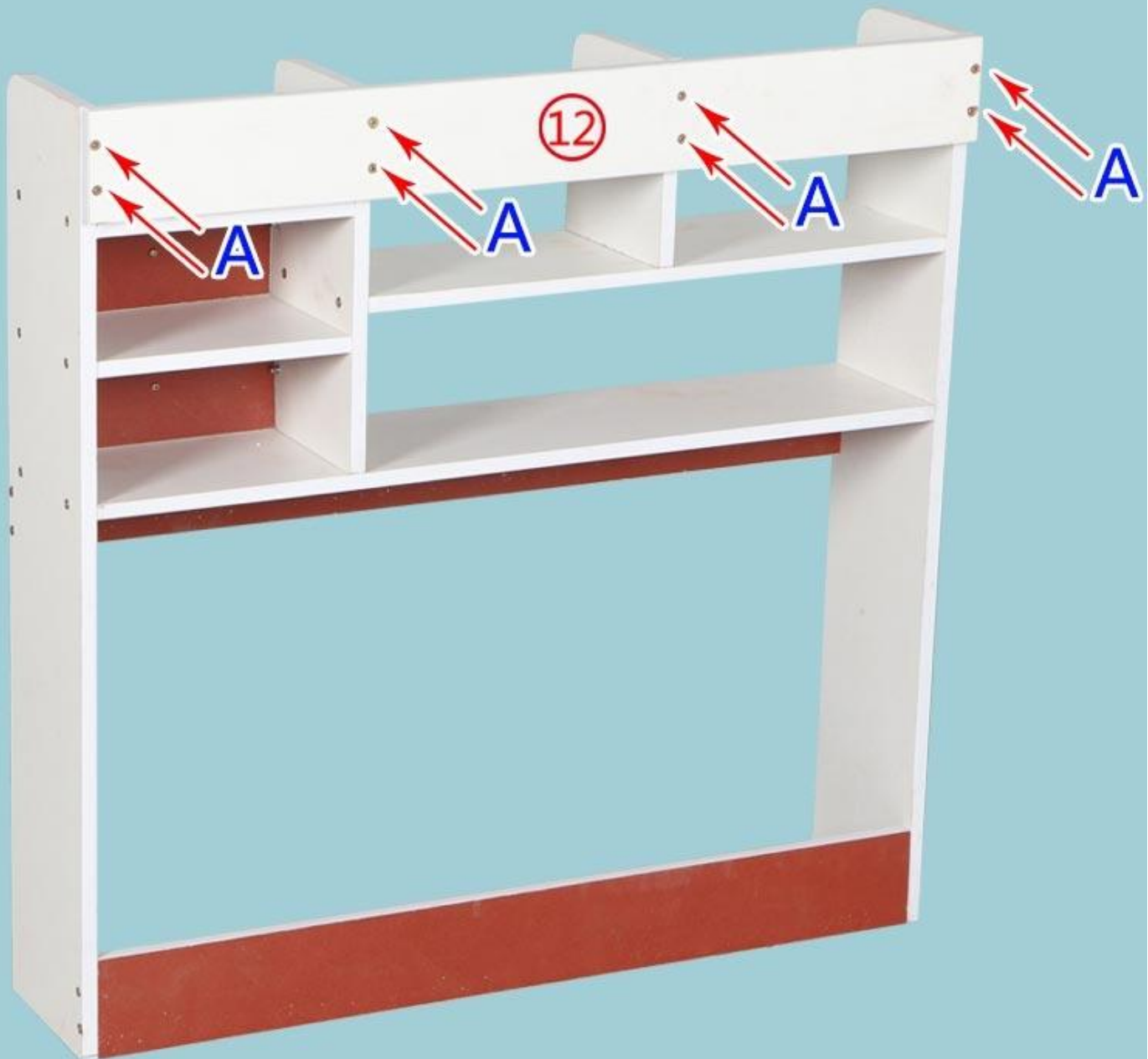


<10>

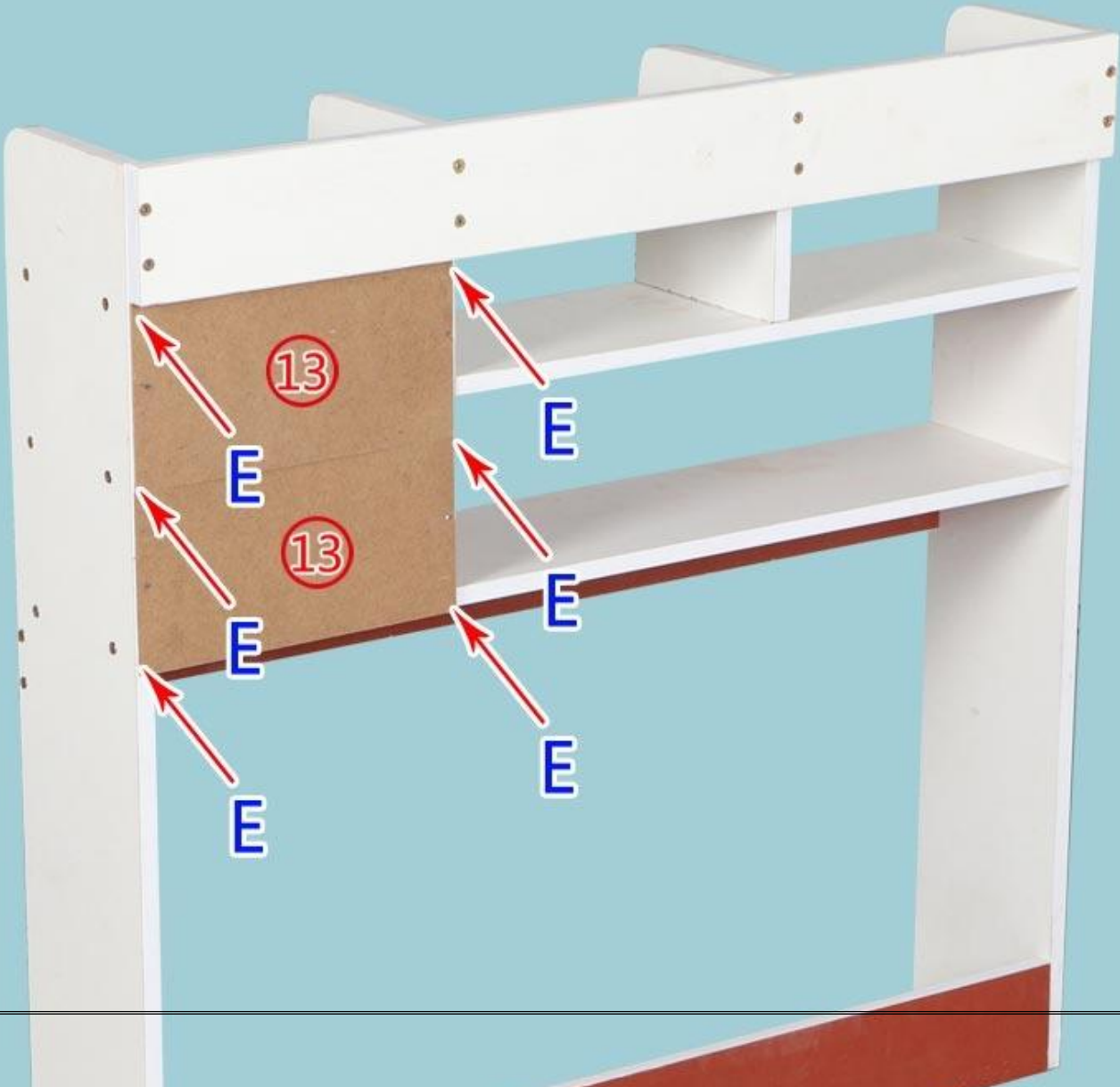
Non-penetrating hole



<11>



<12>



<13> complete

