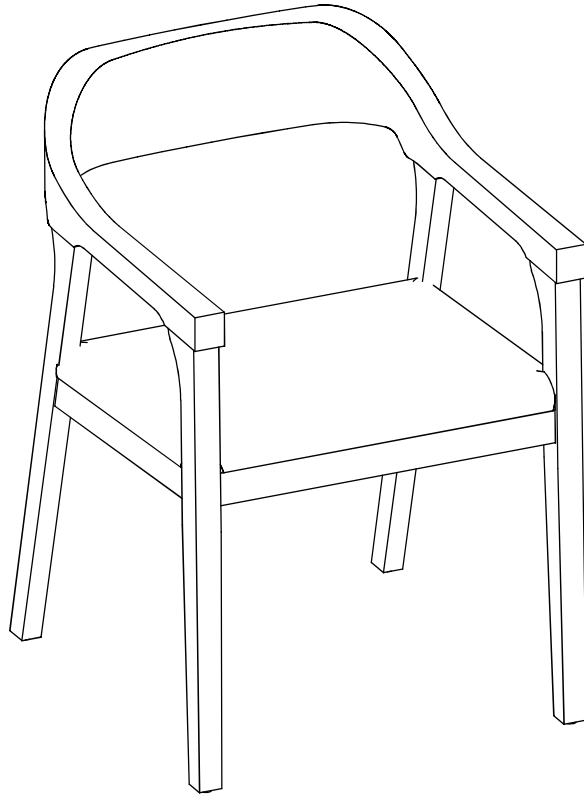


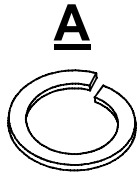
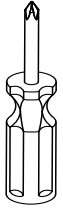
# ASSEMBLY INSTRUCTIONS

---

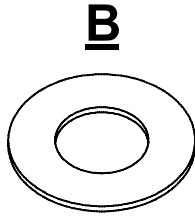
## DINING ARM CHAIR



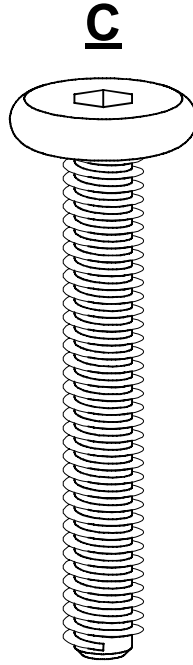
Phillips  
Screwdriver  
(Not provided)



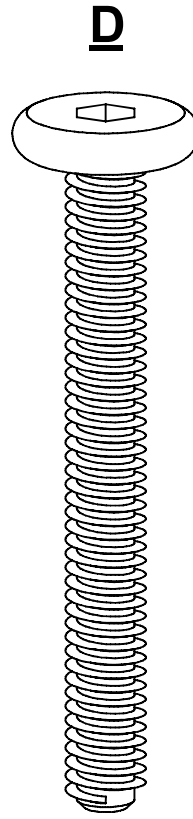
**M8\*10**  
**8 PCS**



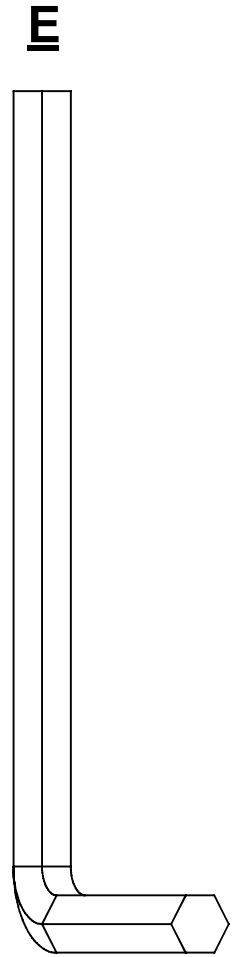
**M8\*16**  
**8 PCS**



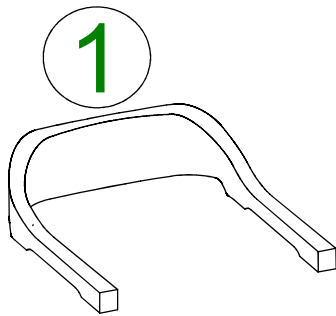
**M8\*50**  
**4 PCS**



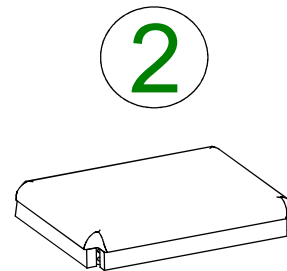
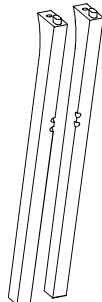
**M8\*70**  
**8 PCS**



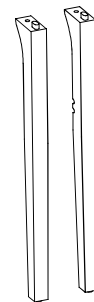
**M4\*110**  
**1 PC**



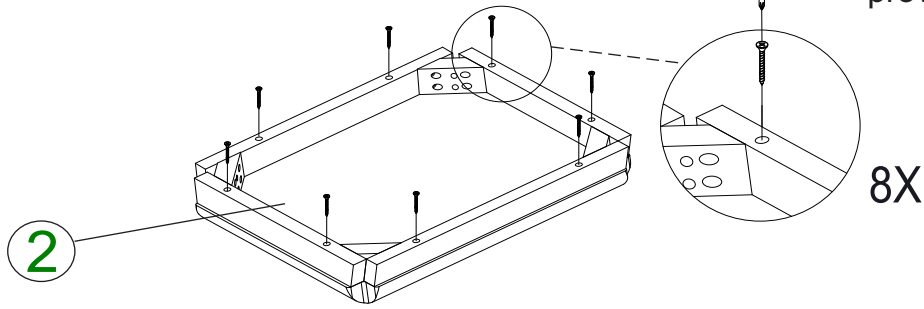
**3**



**4**

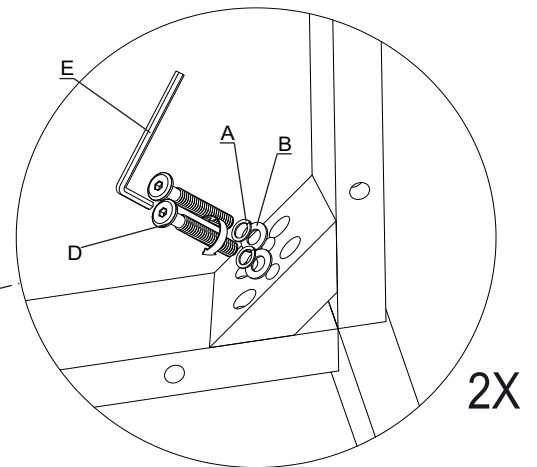
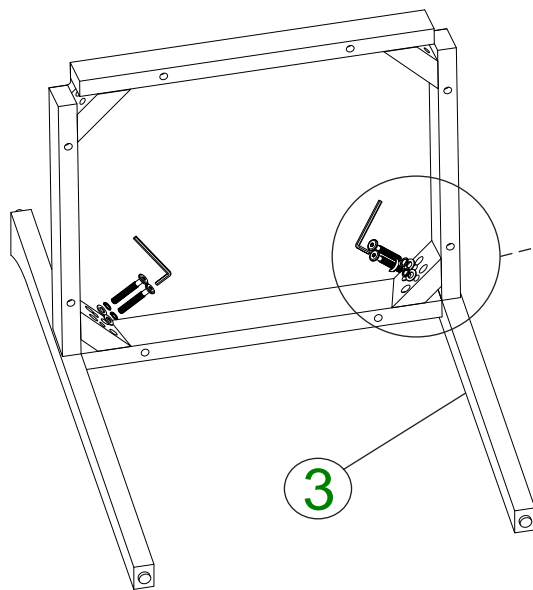
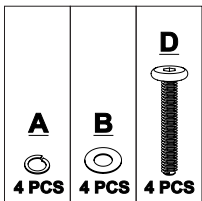


# 01



Separate the wooden seat frame and seat cushion by use screwdriver (not provided).

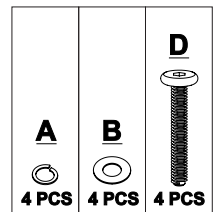
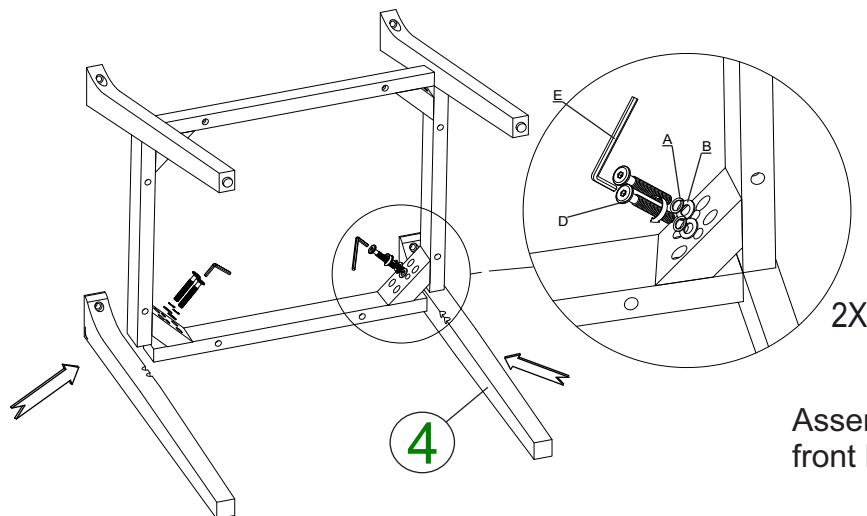
# 02



Assembly a wooden seat frame with 2 back legs.

DO NOT TIGHTEN BOLT COMPLETELY.

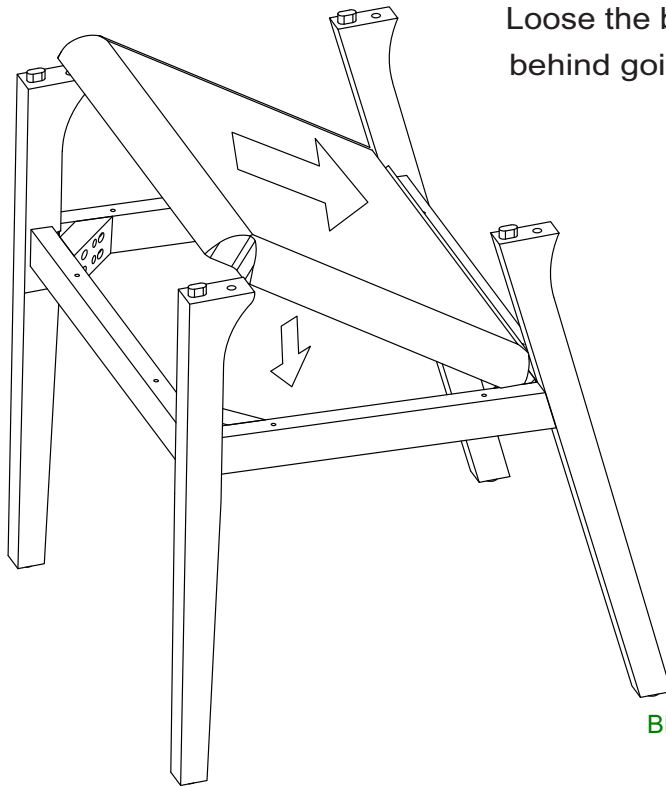
# 03



Assembly a wooden seat frame with 2 front legs.

DO NOT TIGHTEN BOLT COMPLETELY.

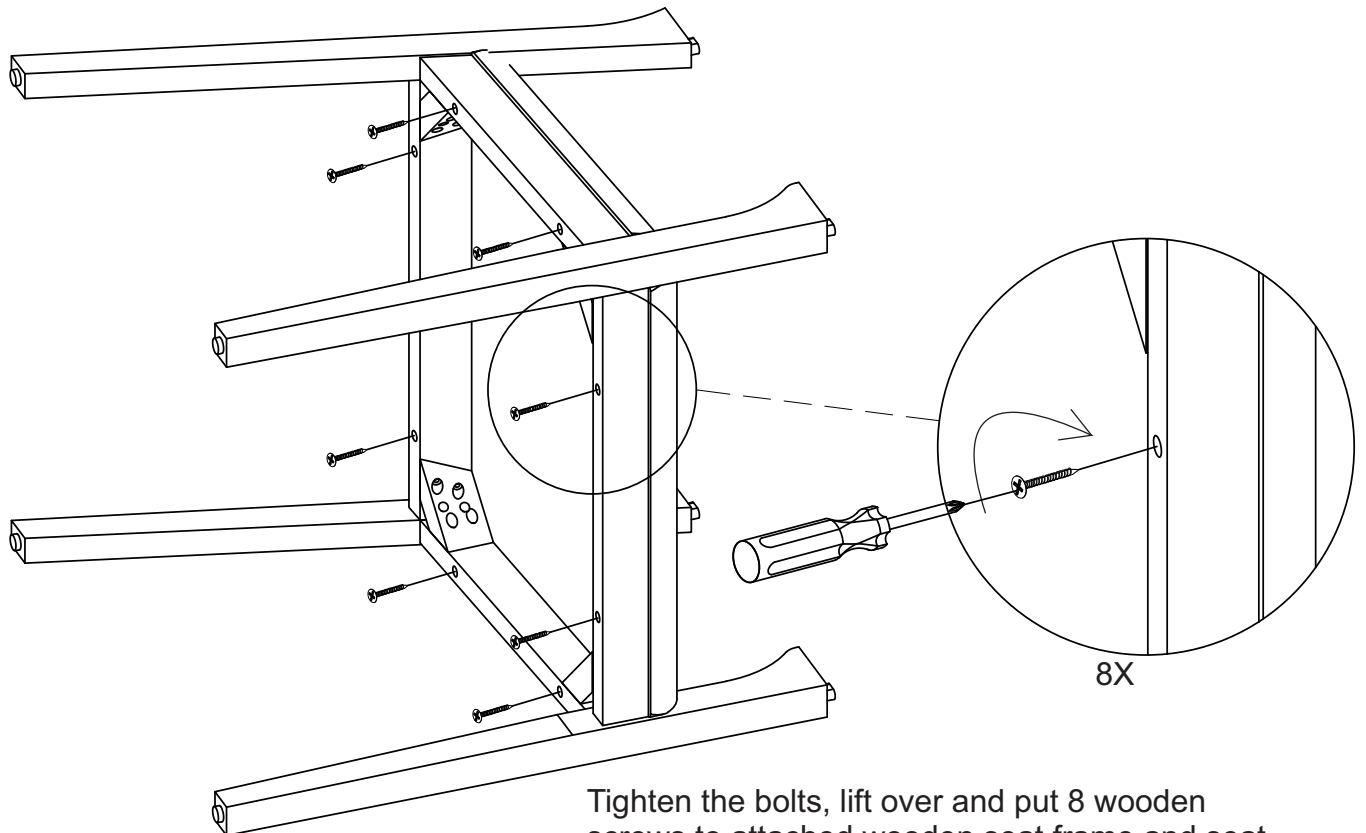
# 04



Loose the bolts for chair then put seat cushion behind going first then seat cushion front.

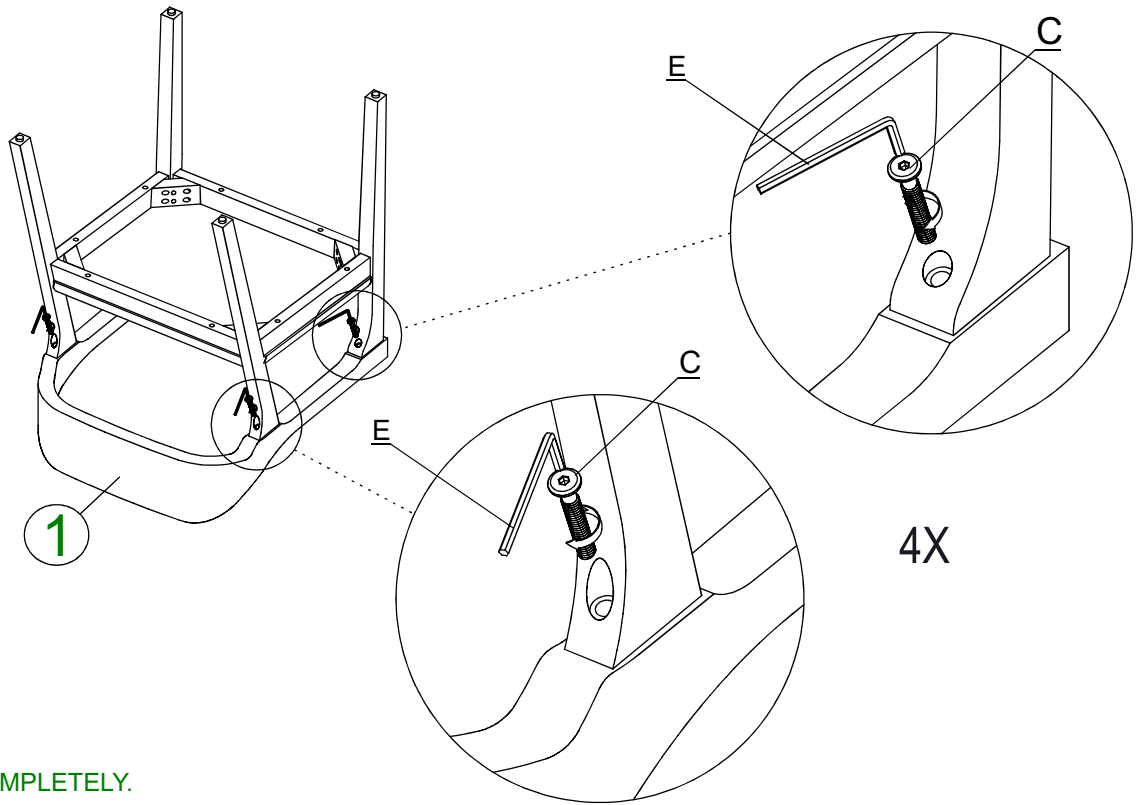
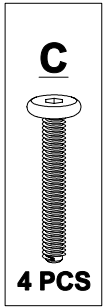
BE SURE TO CHECK ALL BOLTS ARE SECURELY TIGHTENED PRIOR USING THIS CHAIR.

# 05

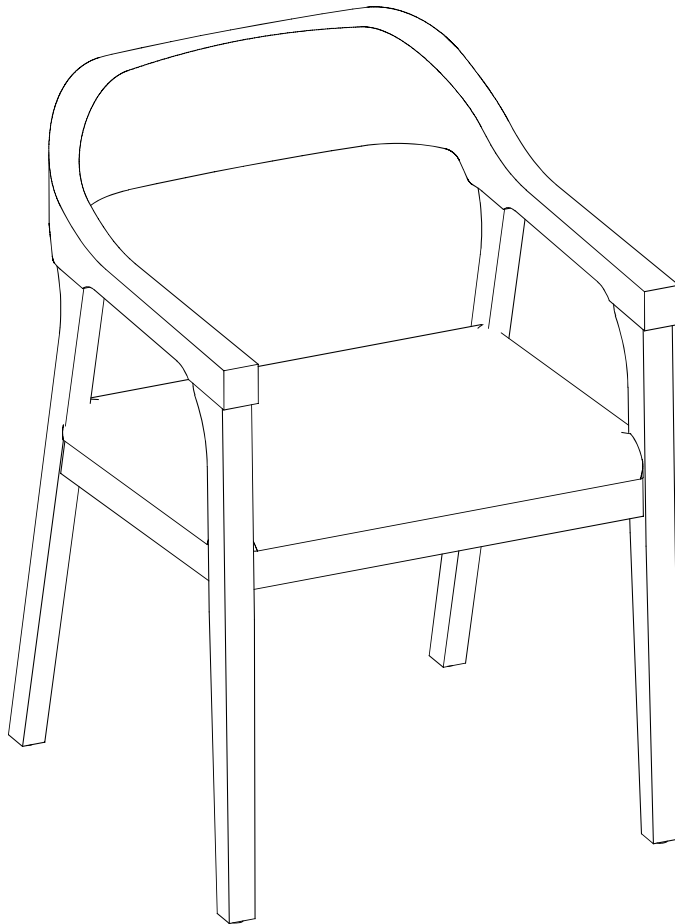


Tighten the bolts, lift over and put 8 wooden screws to attached wooden seat frame and seat cushion by use screwdriver (not provided).

# 06



TIGHTEN BOLT COMPLETELY.



BE SURE TO CHECK ALL BOLTS ARE SECURELY TIGHTENED PRIOR USING THIS STOOL.