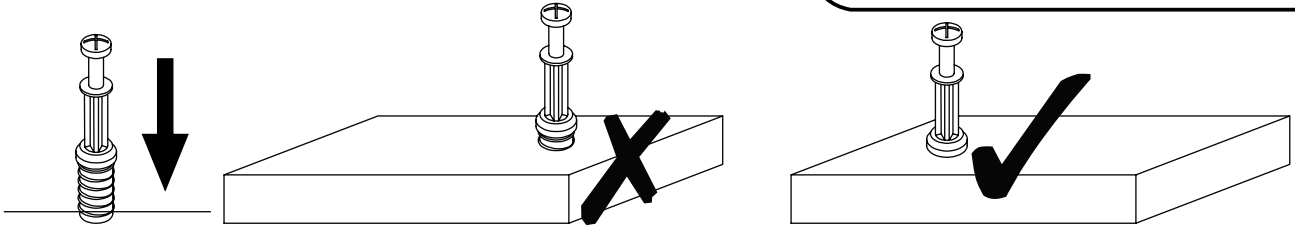
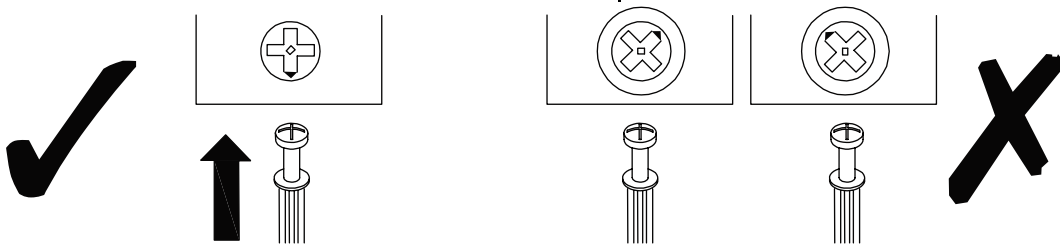


**EN\_IMPORTANT, RETAIN FOR FUTURE REFERENCE: READ CAREFULLY.**

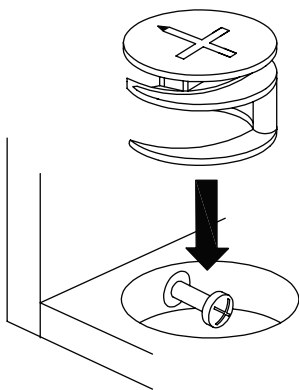
## USING CAM LOCK AND QUICKFIT



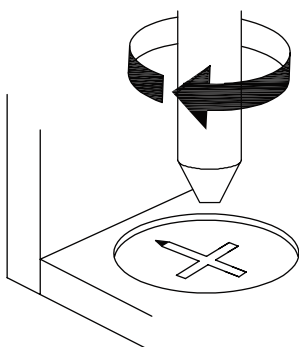
**EN\_QUICKFIT:** Tighten quickfit until shoulder is flush with panel. Do not overtighten or undertighten.



**EN\_CAM LOCK:** When fitting cam lock, ensure starting position is correct before you insert connecting quickfit.

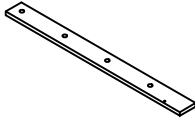
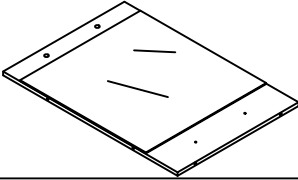
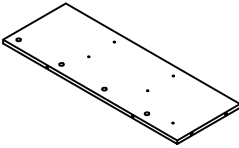

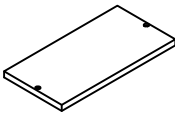
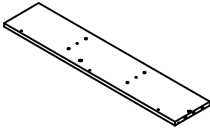
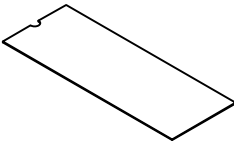
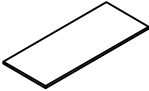
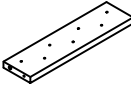
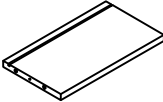


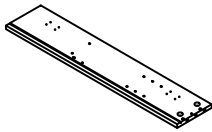


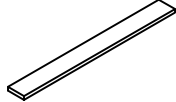
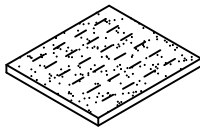
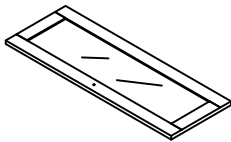
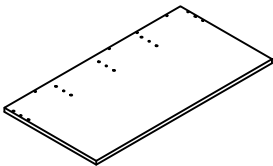
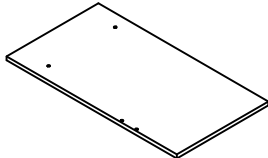
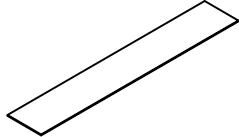
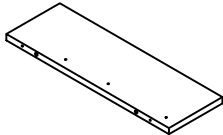
**EN\_Quickfit head** should be in the centre of the cam lock when the two panels are joined.  
Cam lock should be inserted before quickfit.



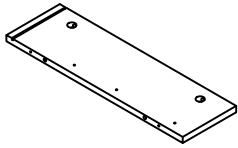
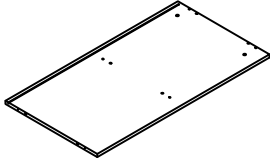
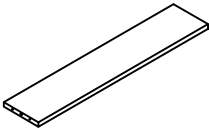
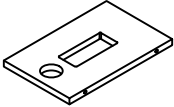
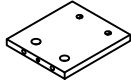
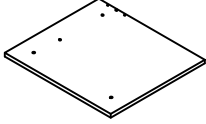
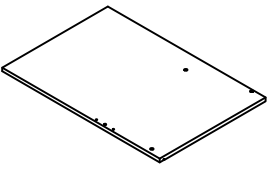
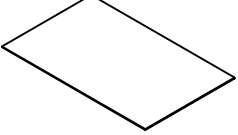
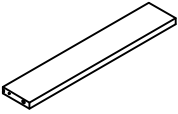
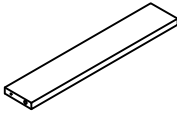
**EN\_Turn** cam lock clockwise to tighten.

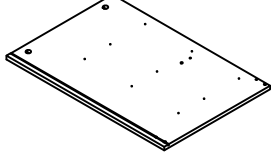
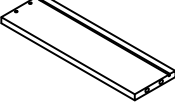
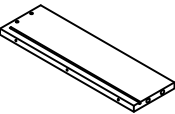
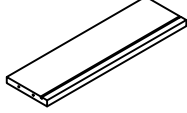
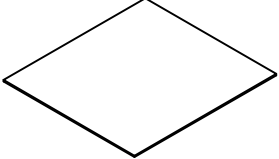
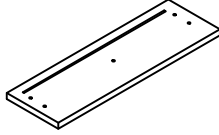
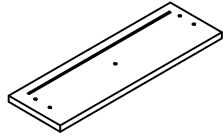
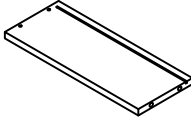
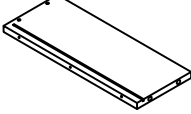
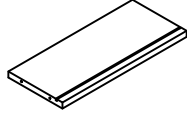
**PACKING DELALS**

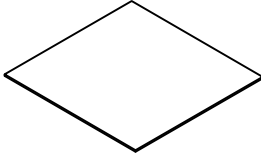
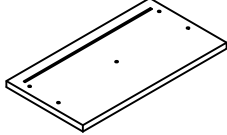
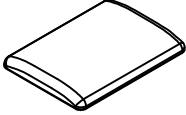
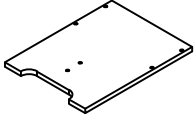
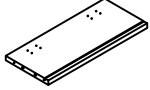
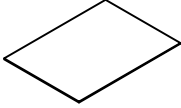
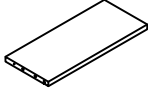
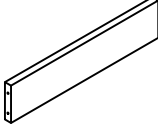

NO.	PARTS	QTY	SPARE
①		x1	
②		x1	
③		x1	
④		x2	
⑤		x1	
⑥		x1	
⑦		x1	
⑧		x2	
⑨		x1	
⑩		x1	

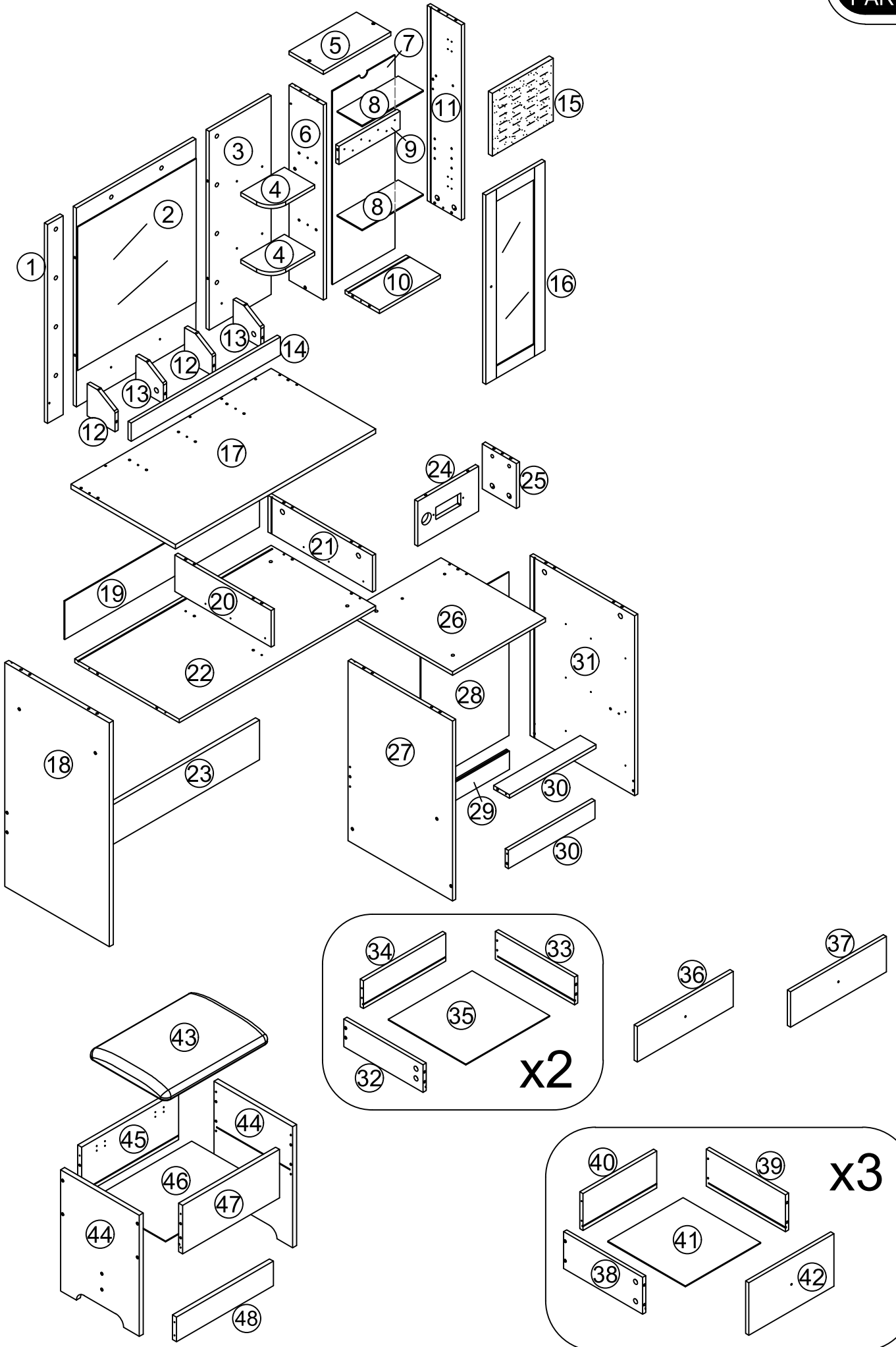
NO.	PARTS	QTY	SPARE
⑪		x1	
⑫		x2	
⑬		x2	
⑭		x1	
⑮		x1	
⑯		x1	
⑰		x1	
⑱		x1	
⑲		x1	
⑳		x1	







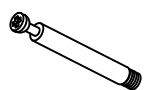


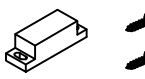



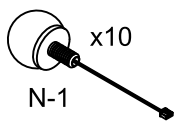
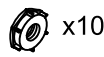
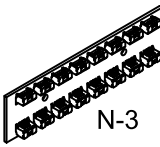







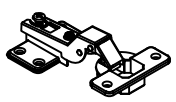

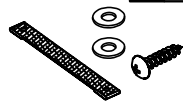







PACKING DELALS

NO.	PARTS	QTY	SPARE
21		x1	
22		x1	
23		x1	
24		x1	
25		x1	
26		x1	
27		x1	
28		x1	
29		x1	
30		x2	

NO.	PARTS	QTY	SPARE
31		x1	
32		x2	
33		x2	
34		x2	
35		x2	
36		x1	
37		x1	
38		x3	
39		x3	
40		x3	

NO.	PARTS	QTY	SPARE
④1		x3	
④2		x3	
④3		x1	
④4		x2	
④5		x1	
④6		x1	
④7		x1	
④8		x1	
	 Hardware Kit	x1	



<p><b>A</b> x42 Ø6x35mm +2(spare)</p> 	<p><b>B</b> x44 Ø15x10mm +2(spare)</p> 	<p><b>C</b> x65 Ø6x30mm +2(spare)</p> 	<p><b>D</b> x73 Ø4x35mm +2(spare)</p> 	<p><b>E</b> x60 +3(spare)</p> 	<p><b>F</b> x2</p> 
<p><b>G</b> x2</p> 	<p><b>H</b> x38 Ø3.5x12mm +2(spare)</p> 	<p><b>I</b> x7</p> 	<p><b>J</b> x1</p> 	<p><b>K</b> x2</p> 	<p><b>L</b> x12 +1(spare)</p> 
<p><b>M</b> x1</p> 	<p><b>N-1</b> x10</p> 	<p><b>N-2</b> x10</p> 	<p><b>N-3</b></p> 	<p><b>N-4</b> x1</p> 	<p><b>O</b> x2</p> 
<p><b>P</b> x1</p> 	<p><b>Q</b> x2 Ø3x12mm</p> 	<p><b>R</b> x1</p> 	<p><b>S</b> x7</p> 	<p><b>T</b> x8</p> 	<p><b>U</b> x2</p> 
<p><b>V</b> x6</p> 	<p><b>W</b> x2</p> 	<p><b>X</b> x34 Ø20mm</p> 	<p><b>Y</b> x2 Ø6x30mm</p> 	<p><b>Z</b> x2</p> 	
<p><b>CL</b> x5 L300mm</p> 	<p><b>CR</b> x5 L300mm</p> 	<p><b>DL</b> x5 L300mm</p> 	<p><b>DR</b> x5 L300mm</p> 		

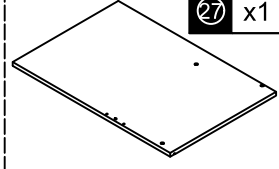
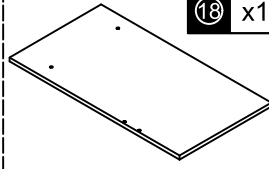
E x21

CL x4

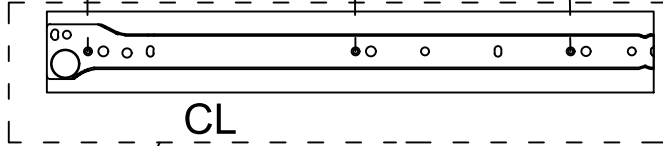
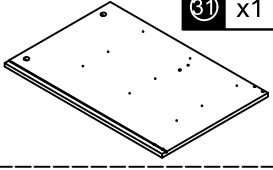
CR x3

18 x1

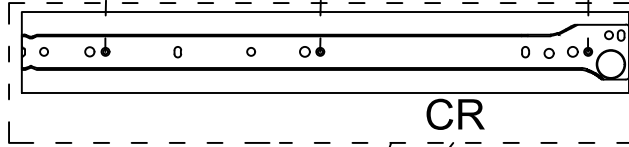
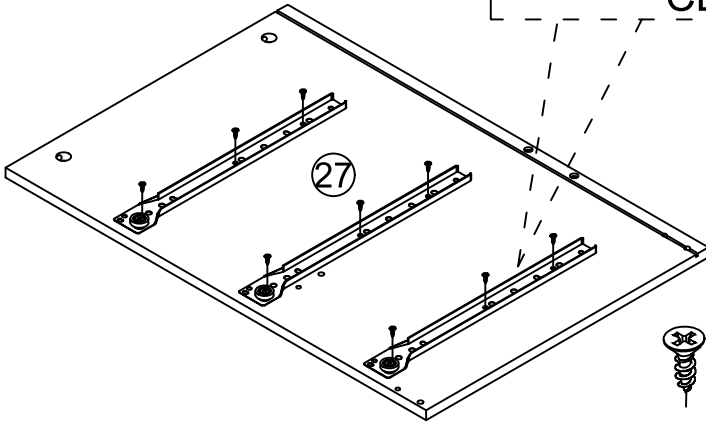
27 x1



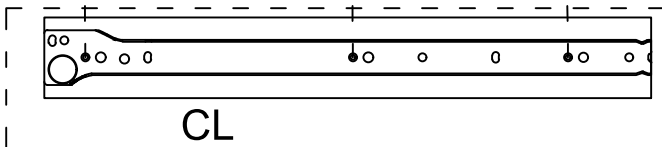
31 x1



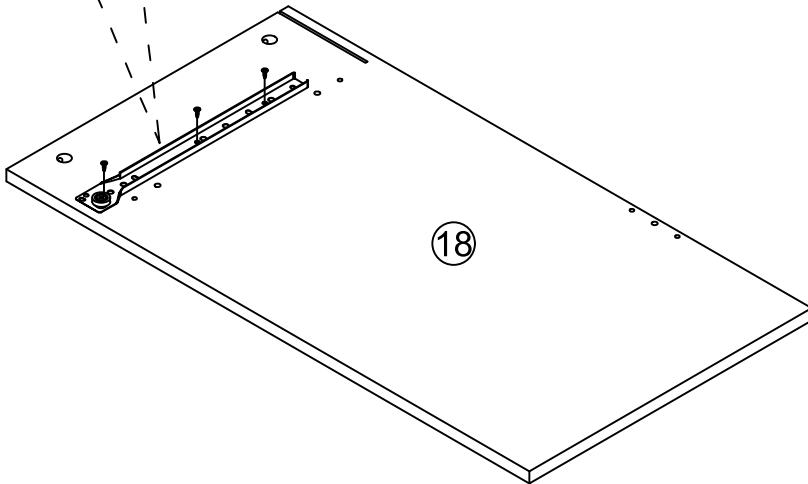
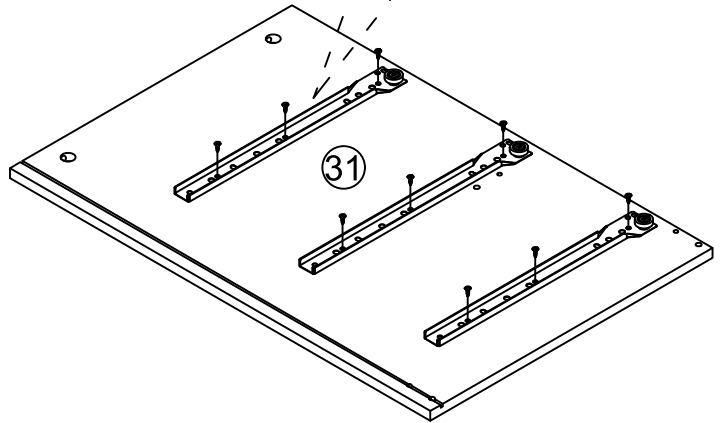
x3



x3



CL



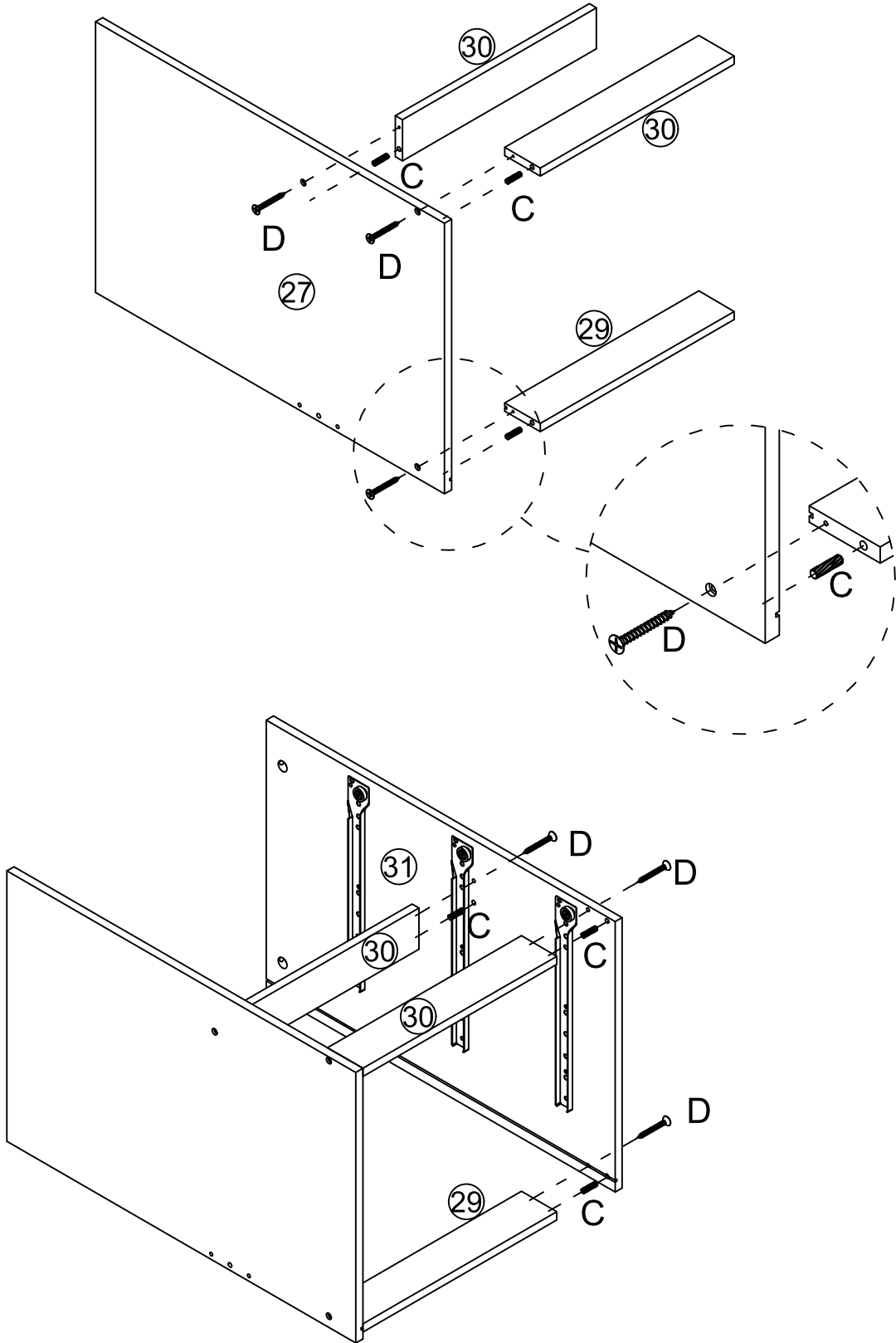
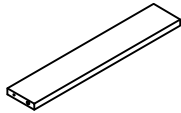
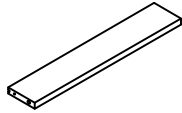
18

C x6

D x6

29 x1

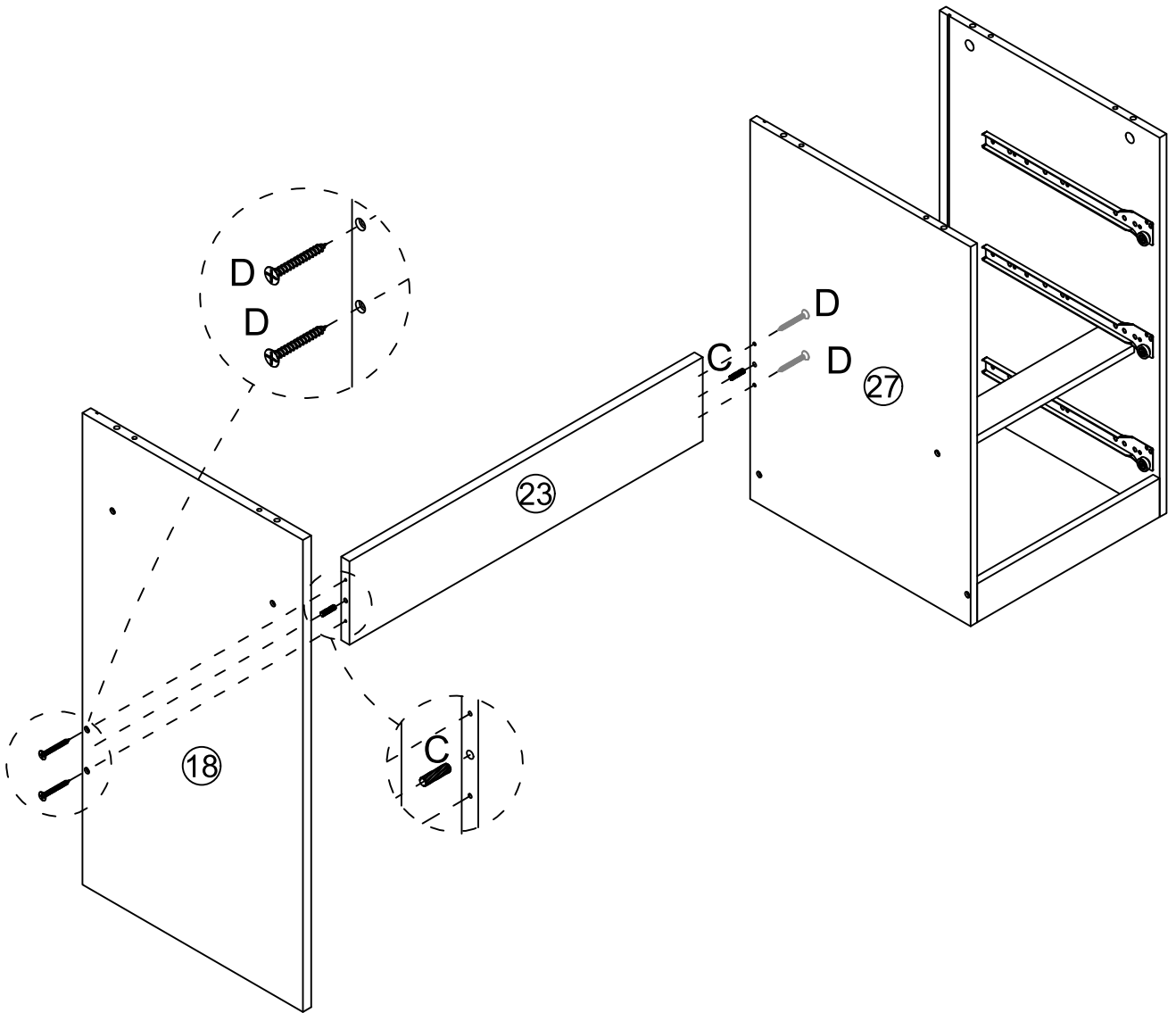
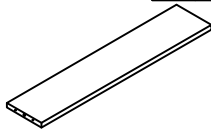
30 x2



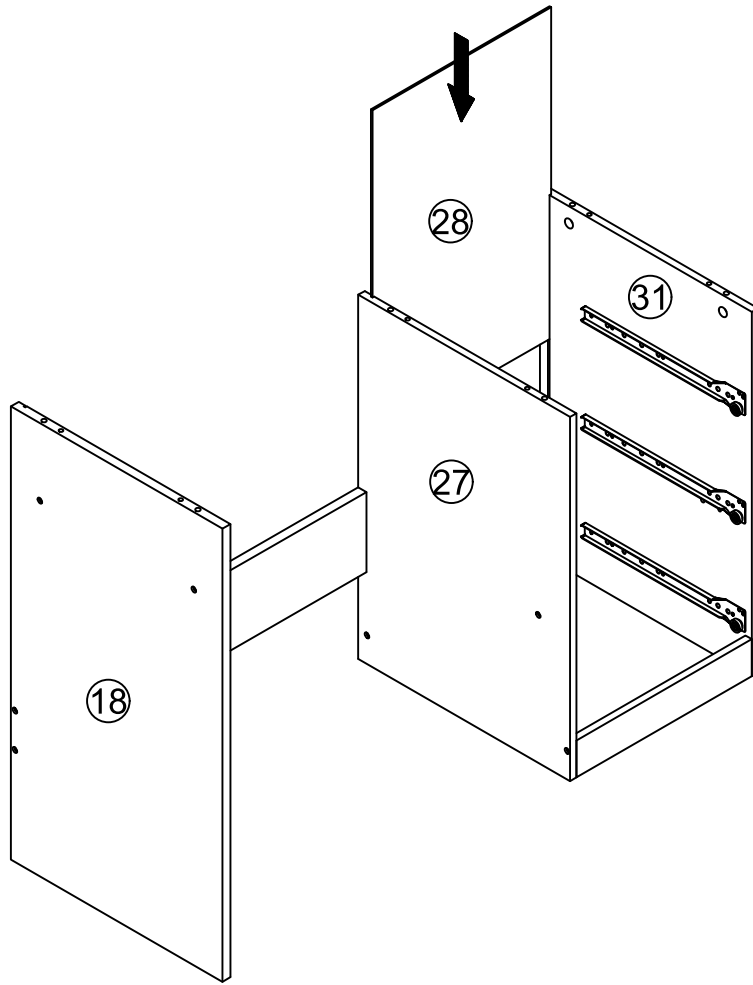
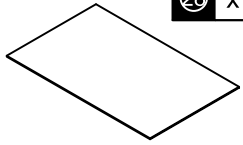
C x2

D x4

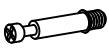
23 x1



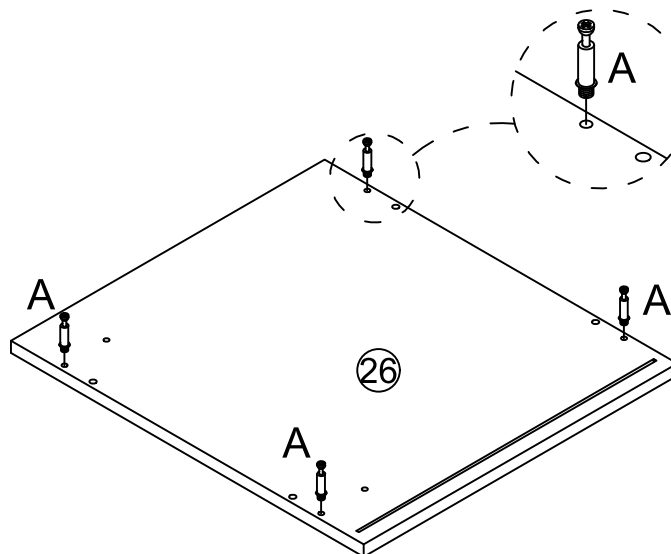
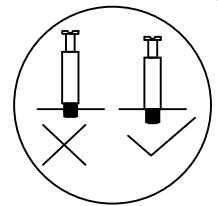
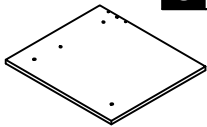
28 x1



A x4

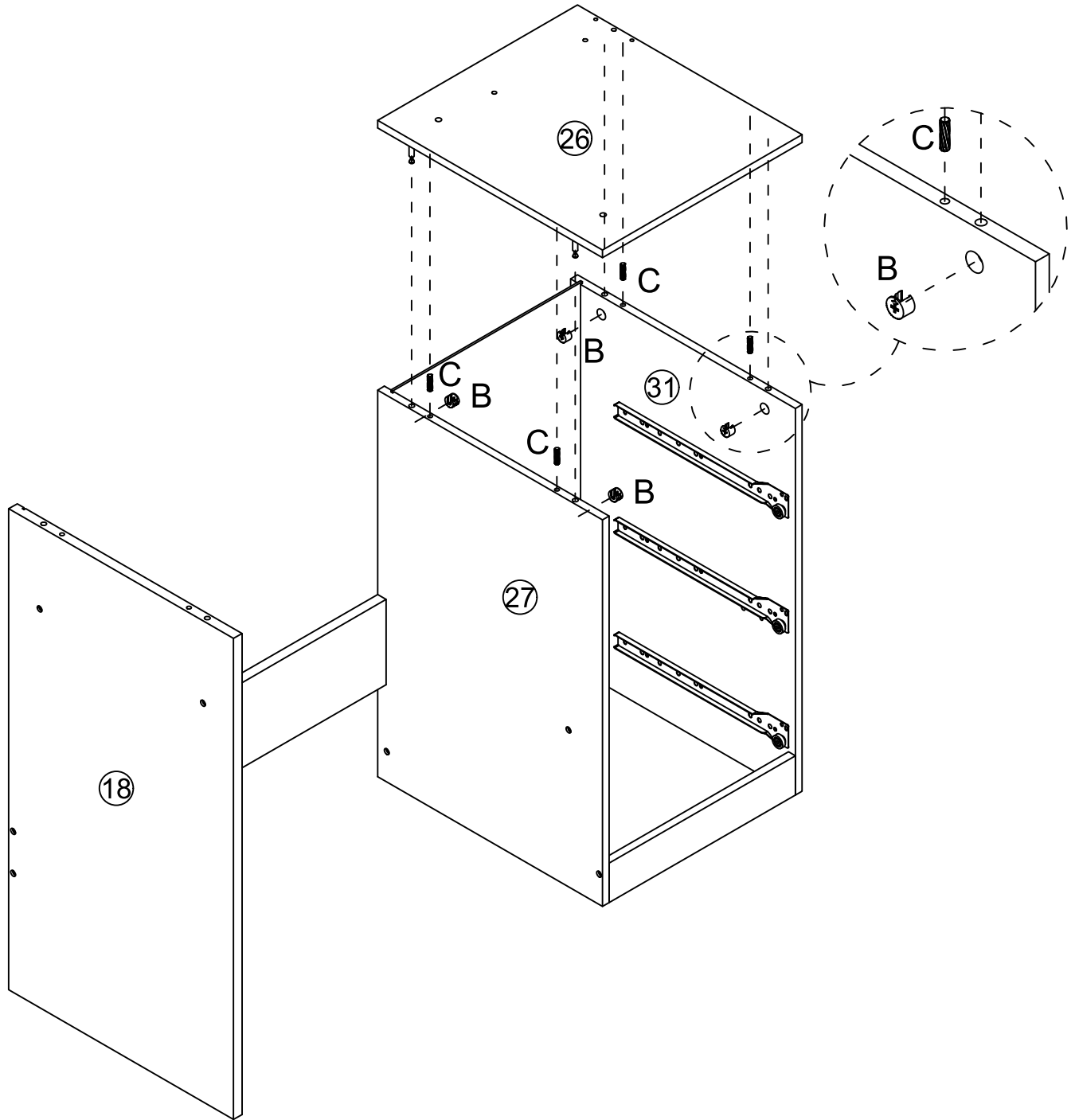
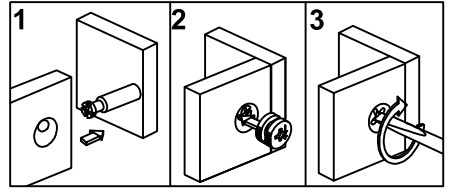


26 x1



B x4

C x4



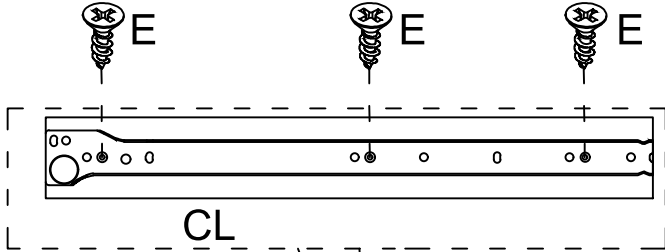
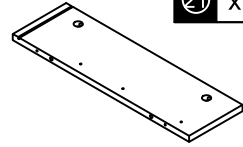
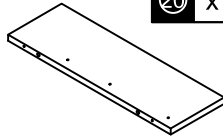
E x9

CL x1

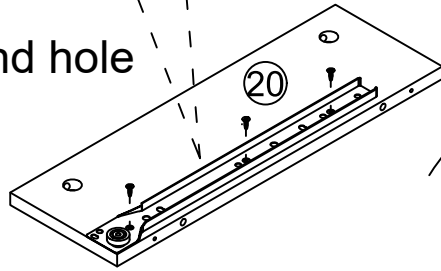
CR x2

20 x1

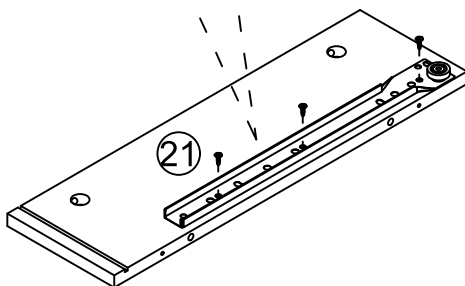
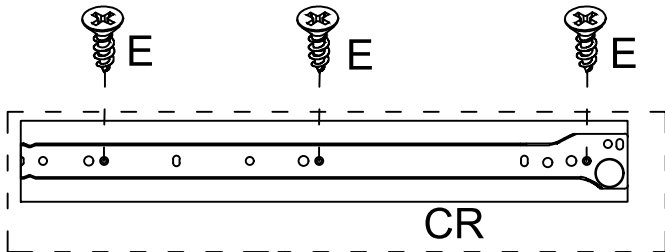
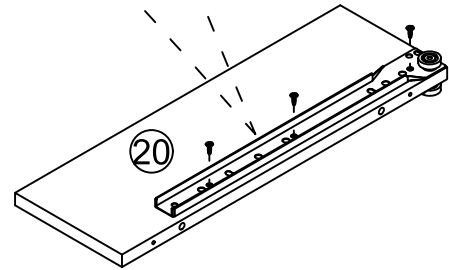
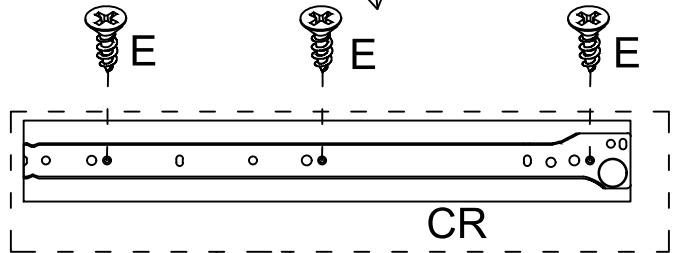
21 x1



Second hole



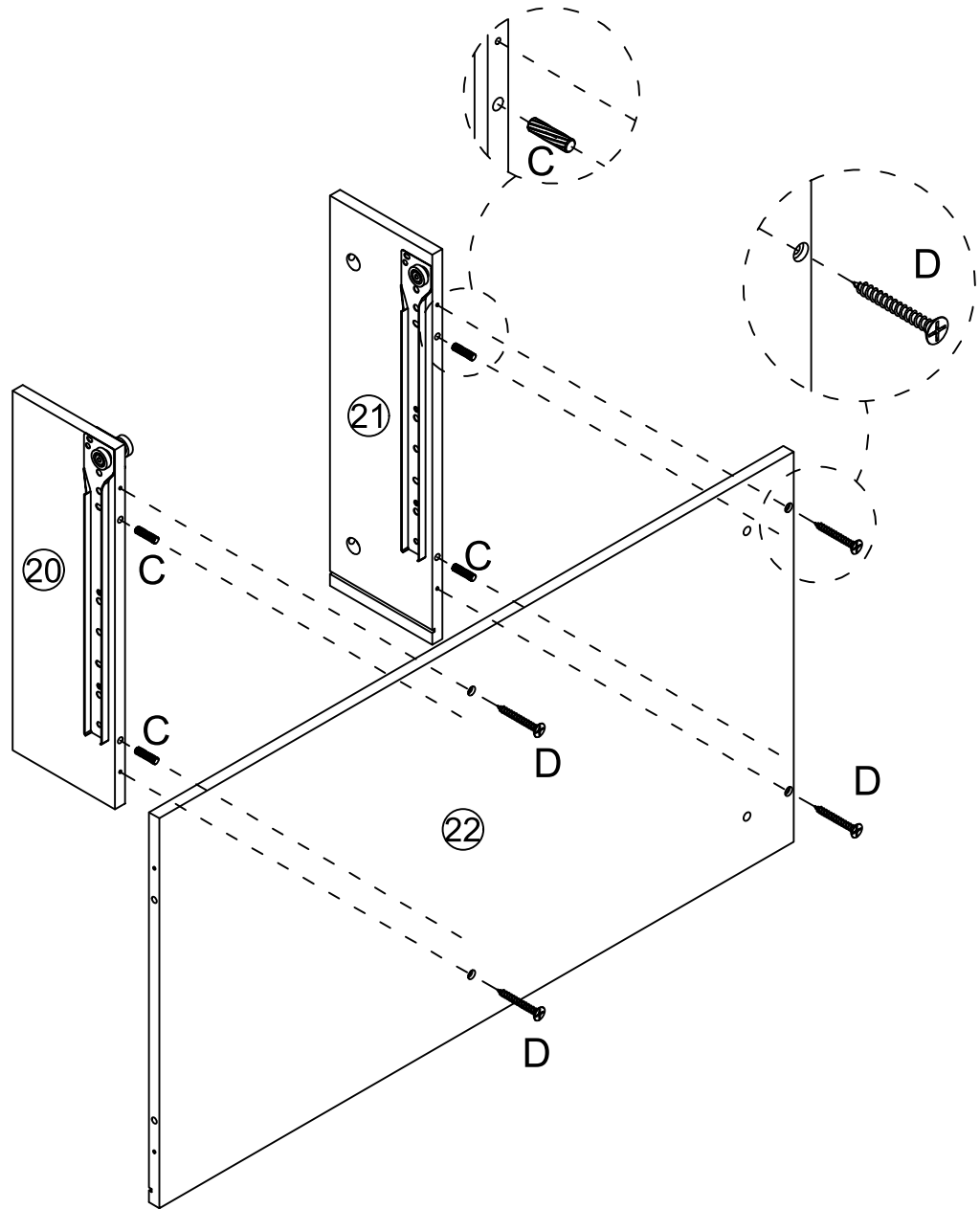
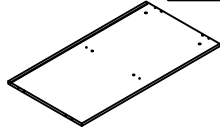
180°



C x4

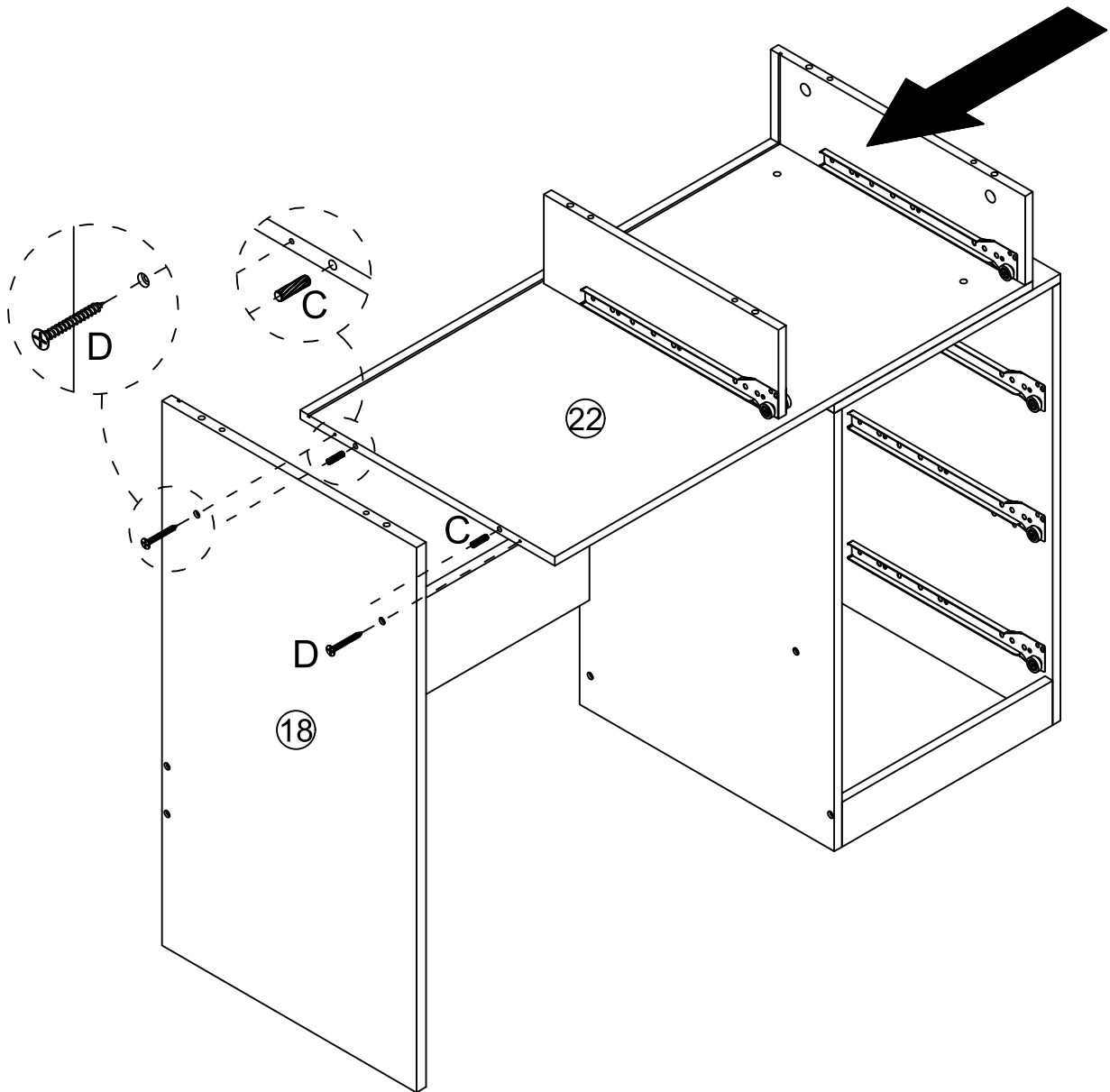
D x4

22 x1



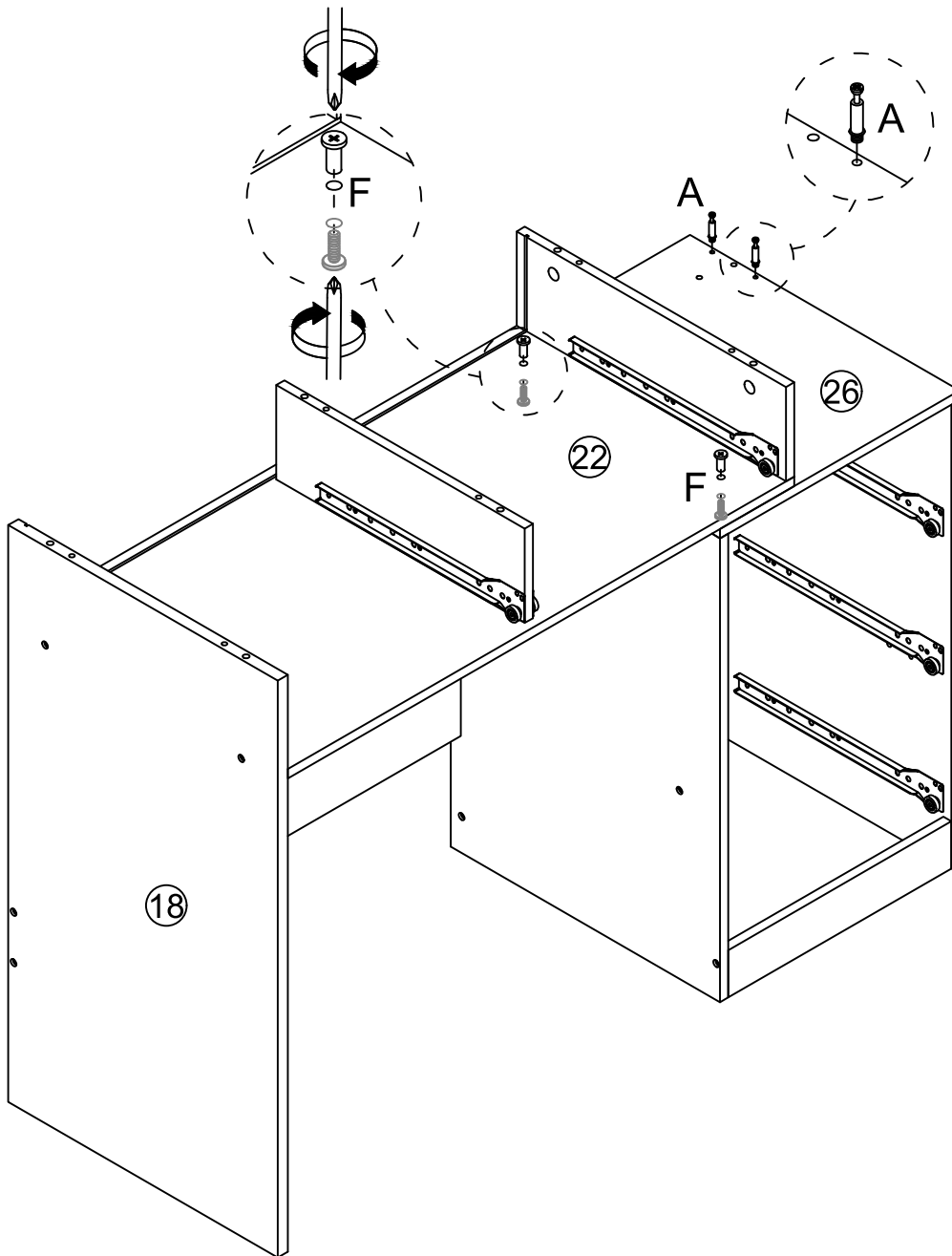
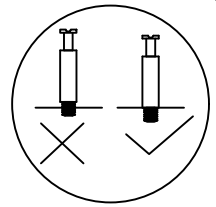
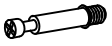
C x2

D x2



A x2

F x2

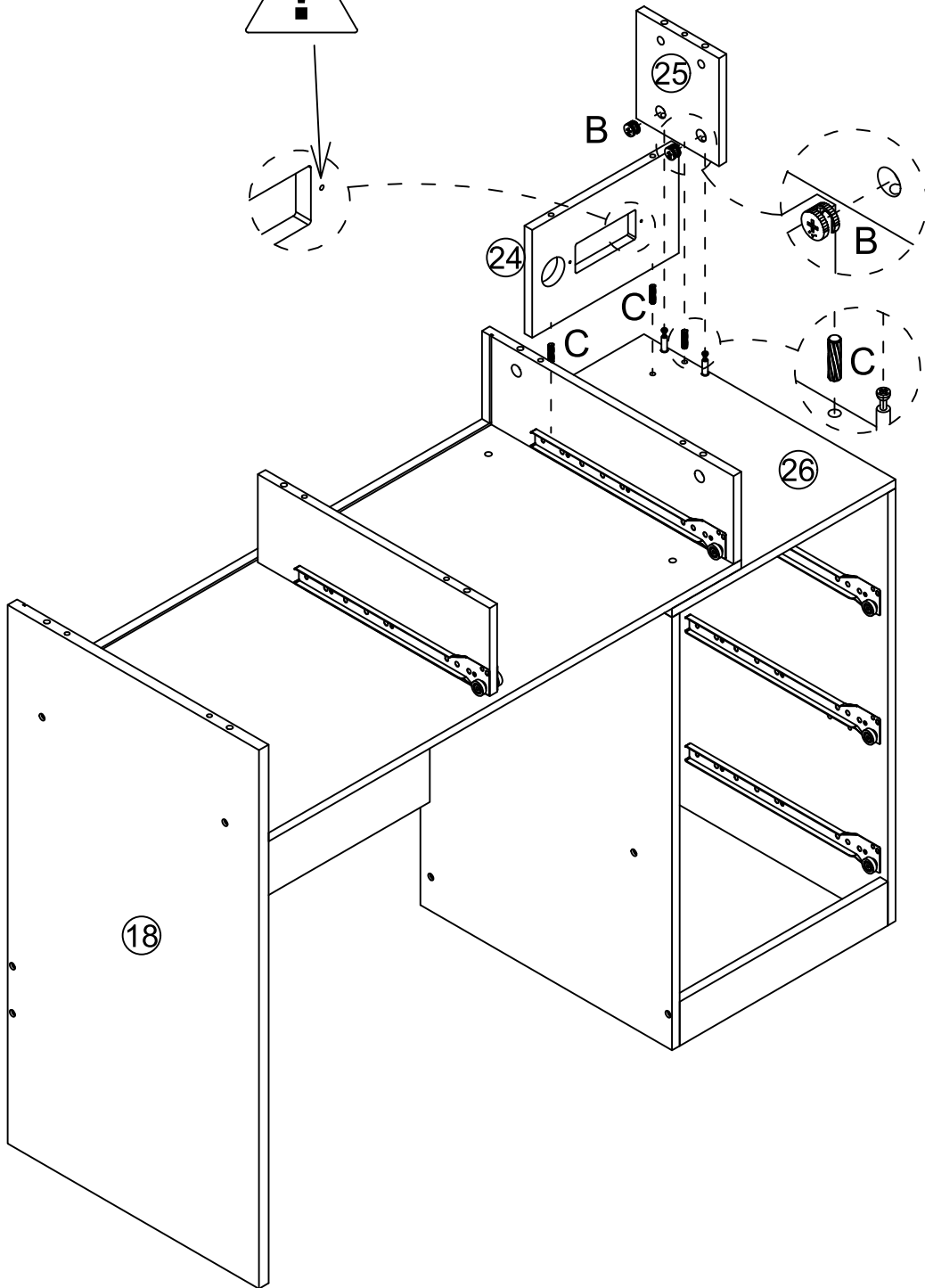
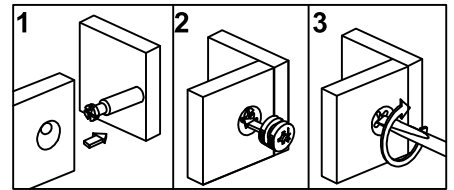
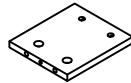
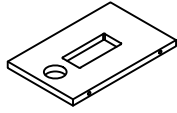


B x2

C x3

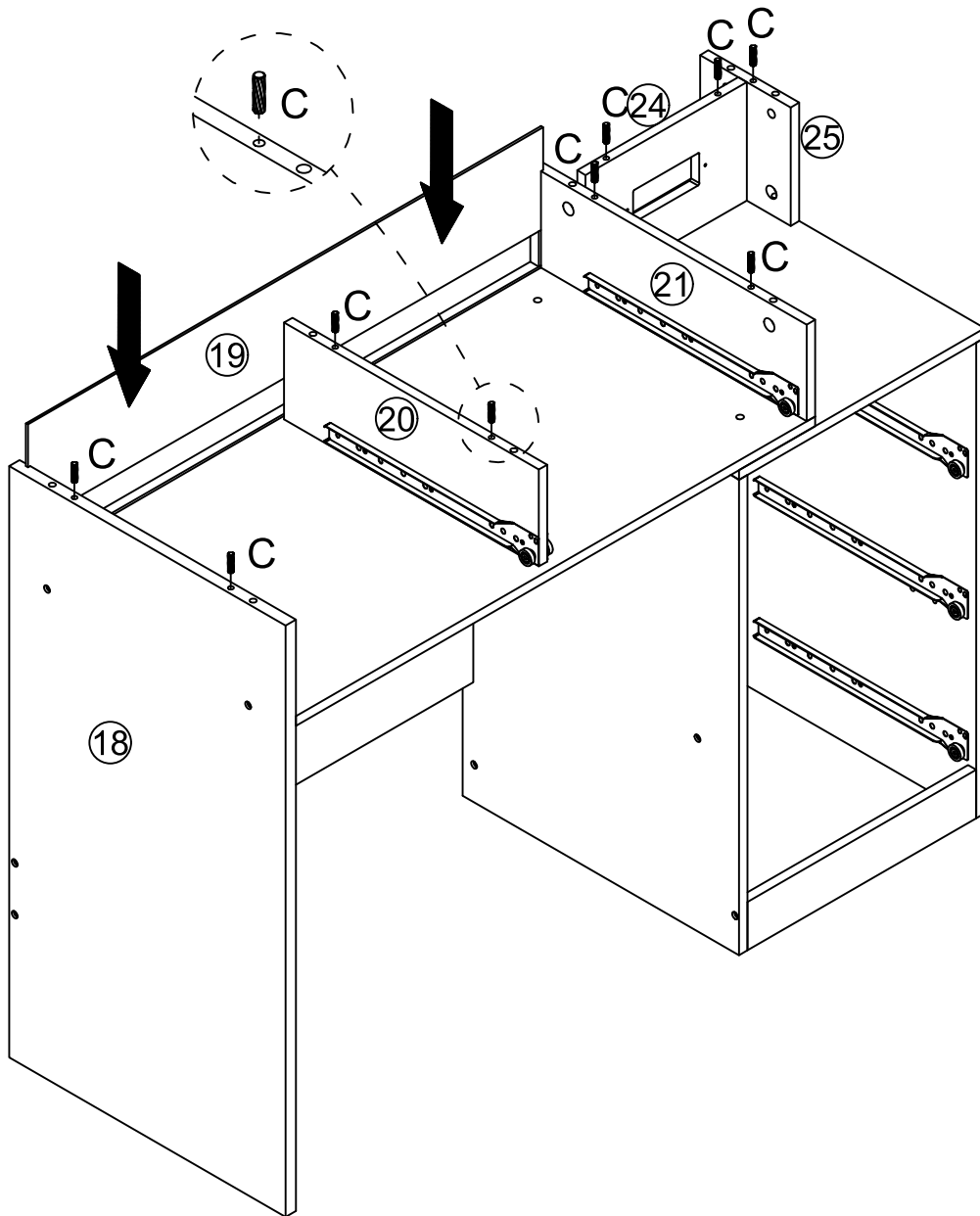
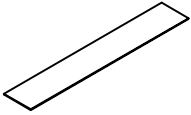
24 x1

25 x1



C x9

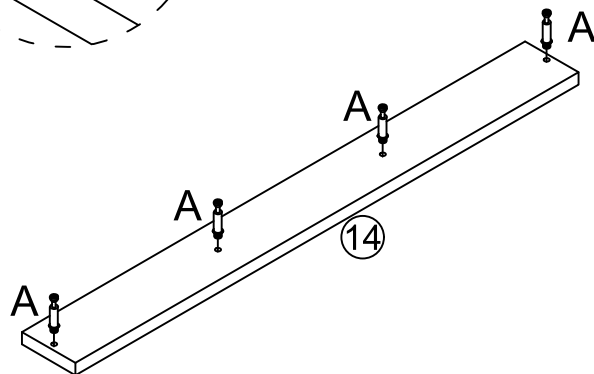
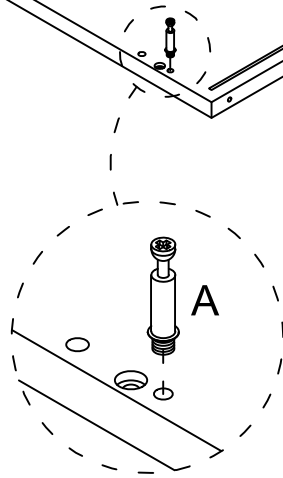
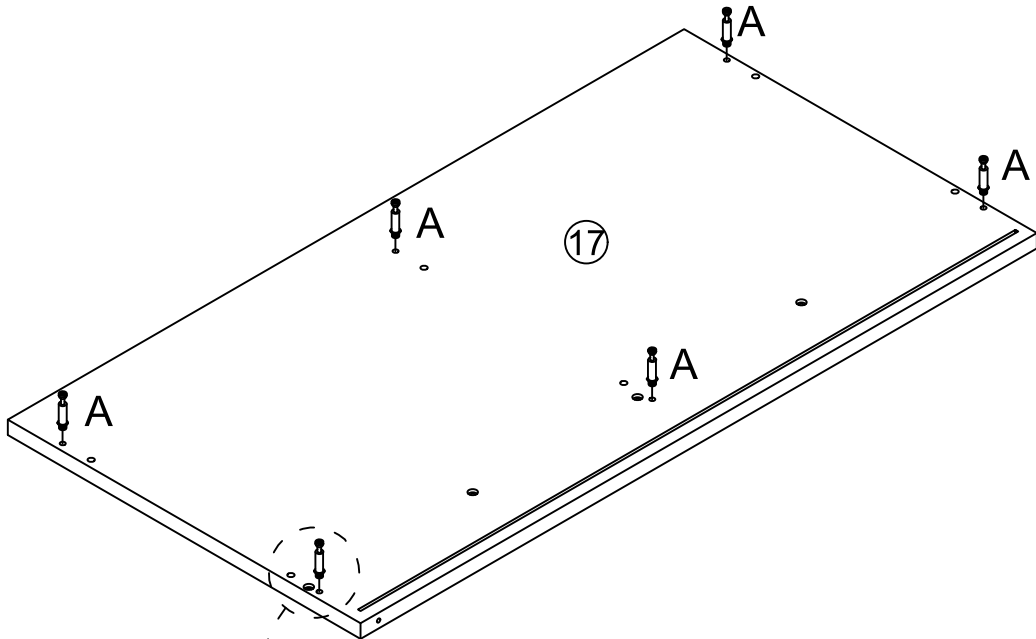
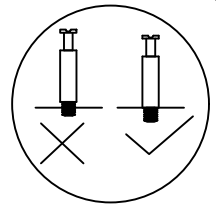
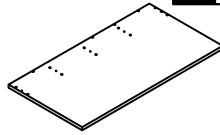
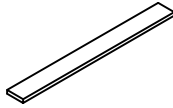
19 x1



A x10

14 x1

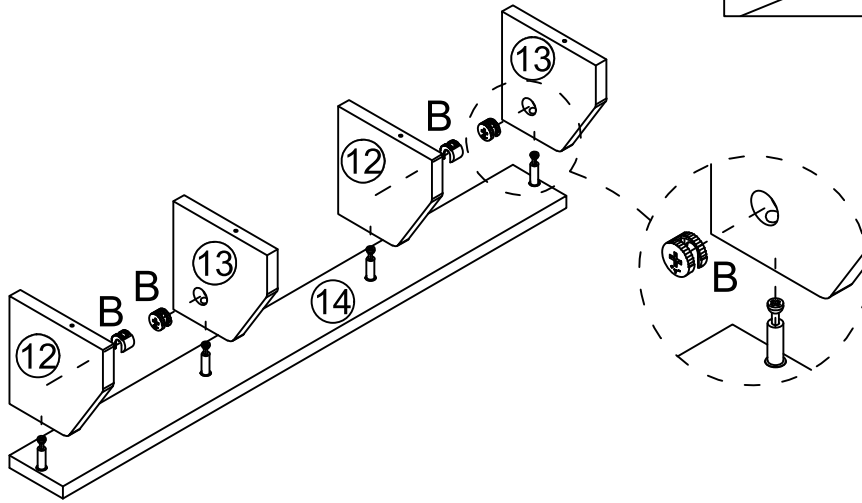
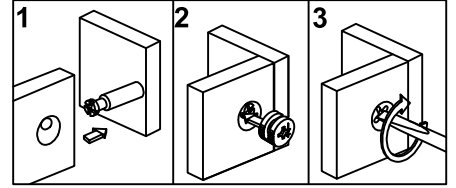
17 x1



B x4

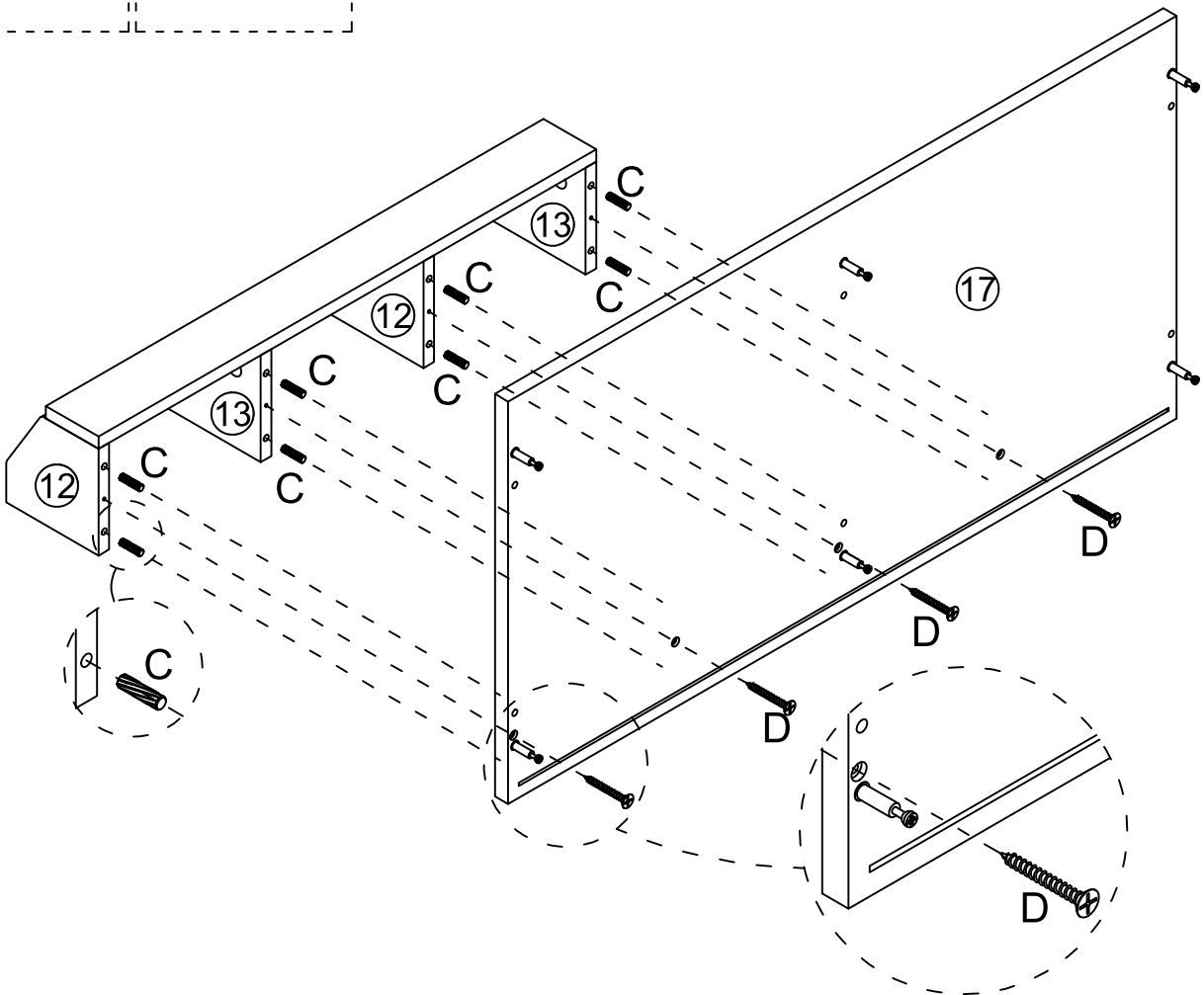
12 x1

13 x1

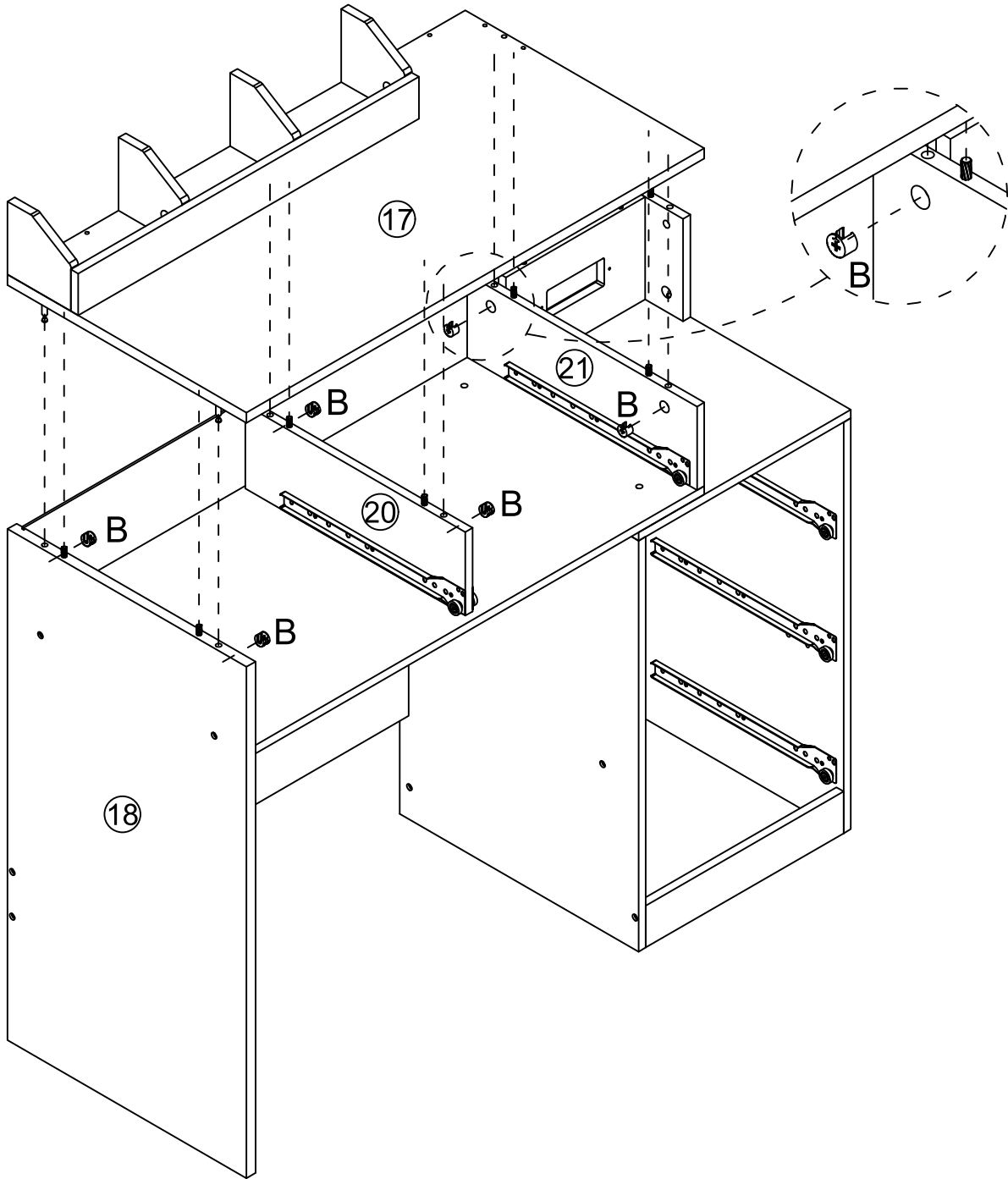
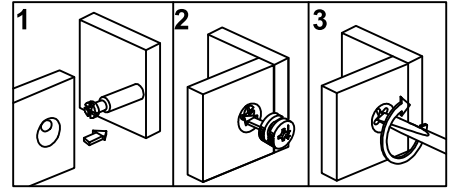


C x8

D x4

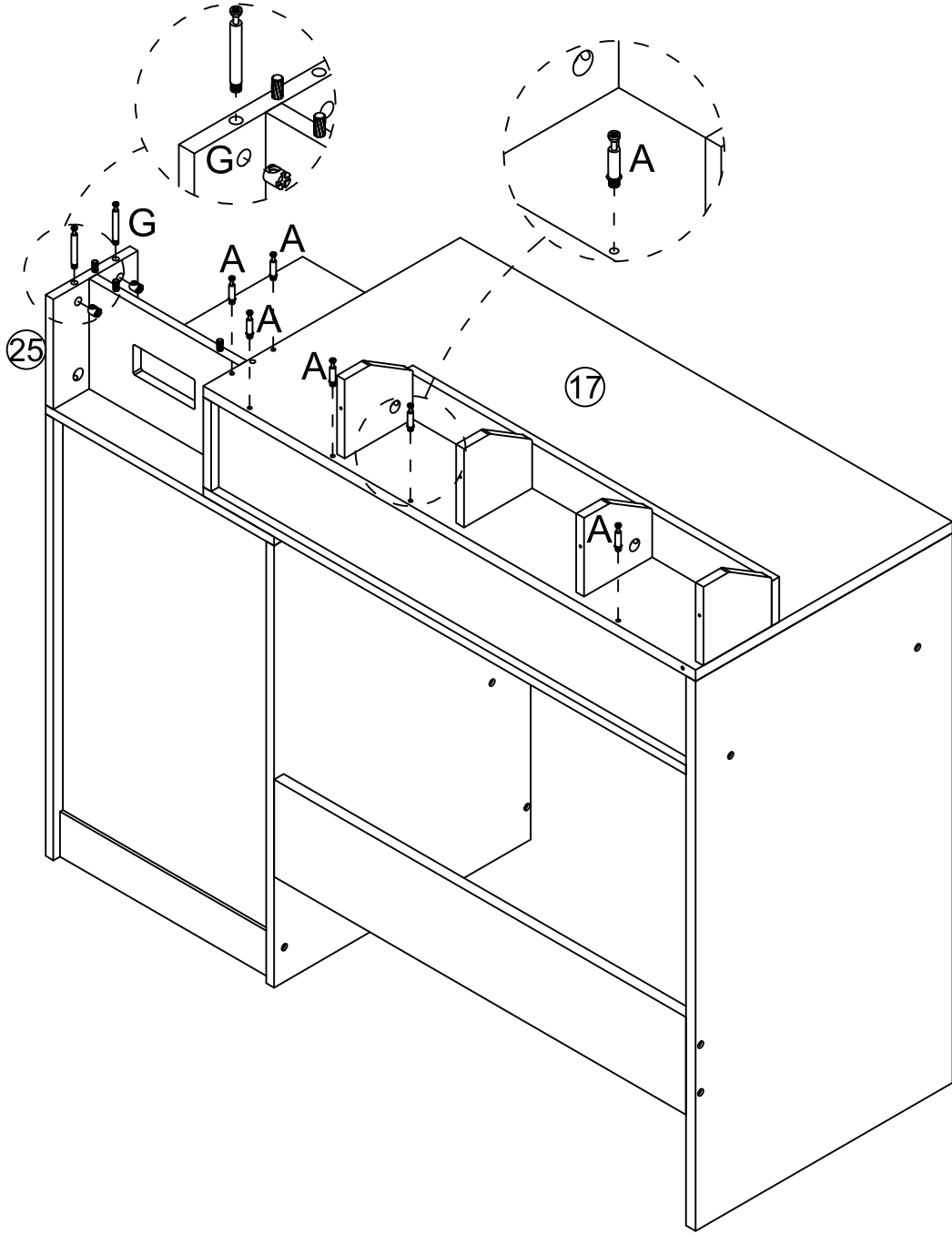
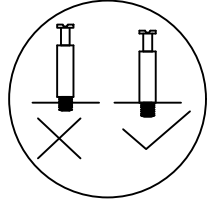
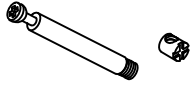
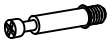


B x6



A x6

G x2



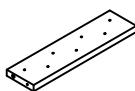
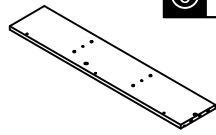
C x10

D x6

4 x2

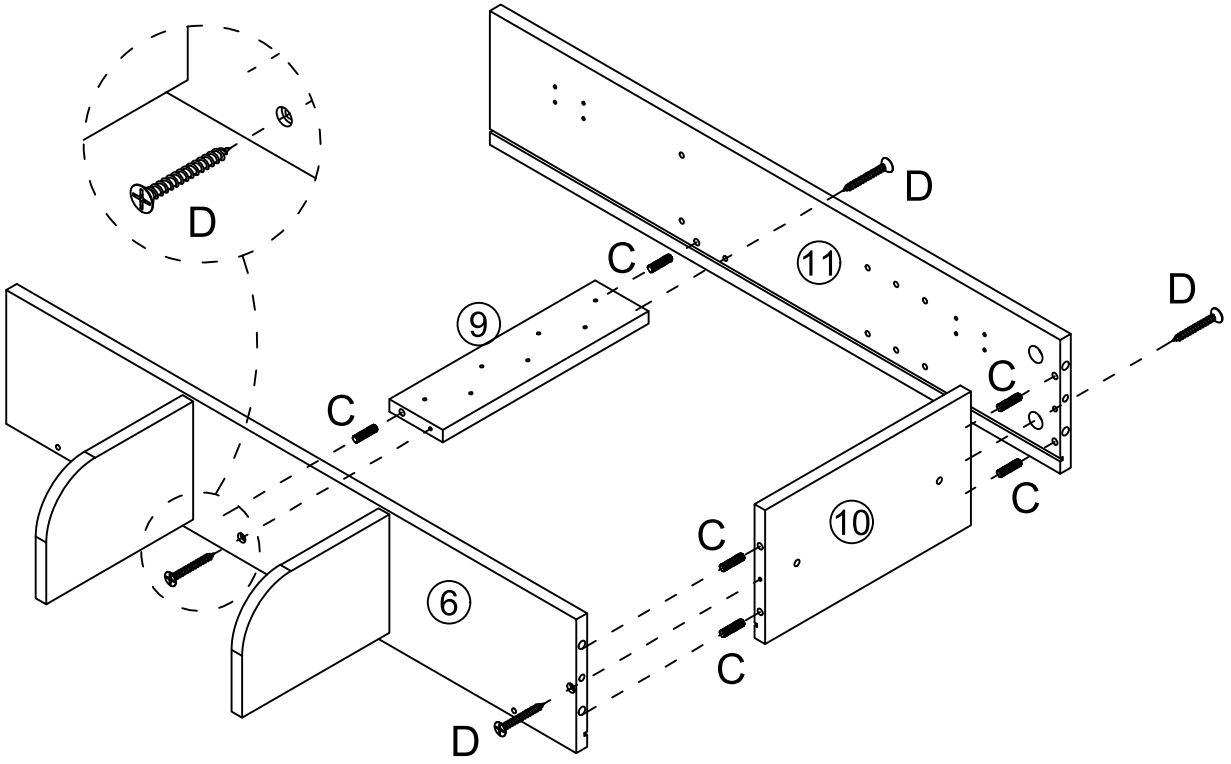
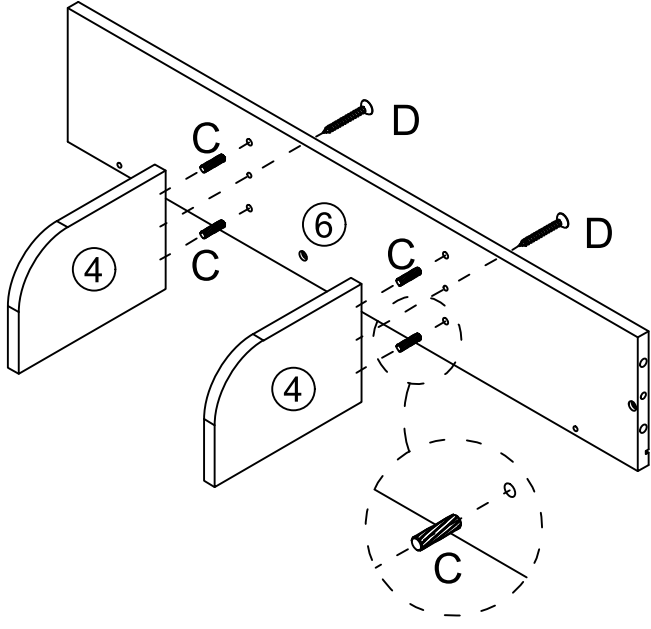
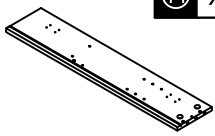
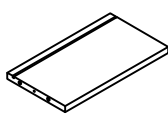
6 x1

9 x1



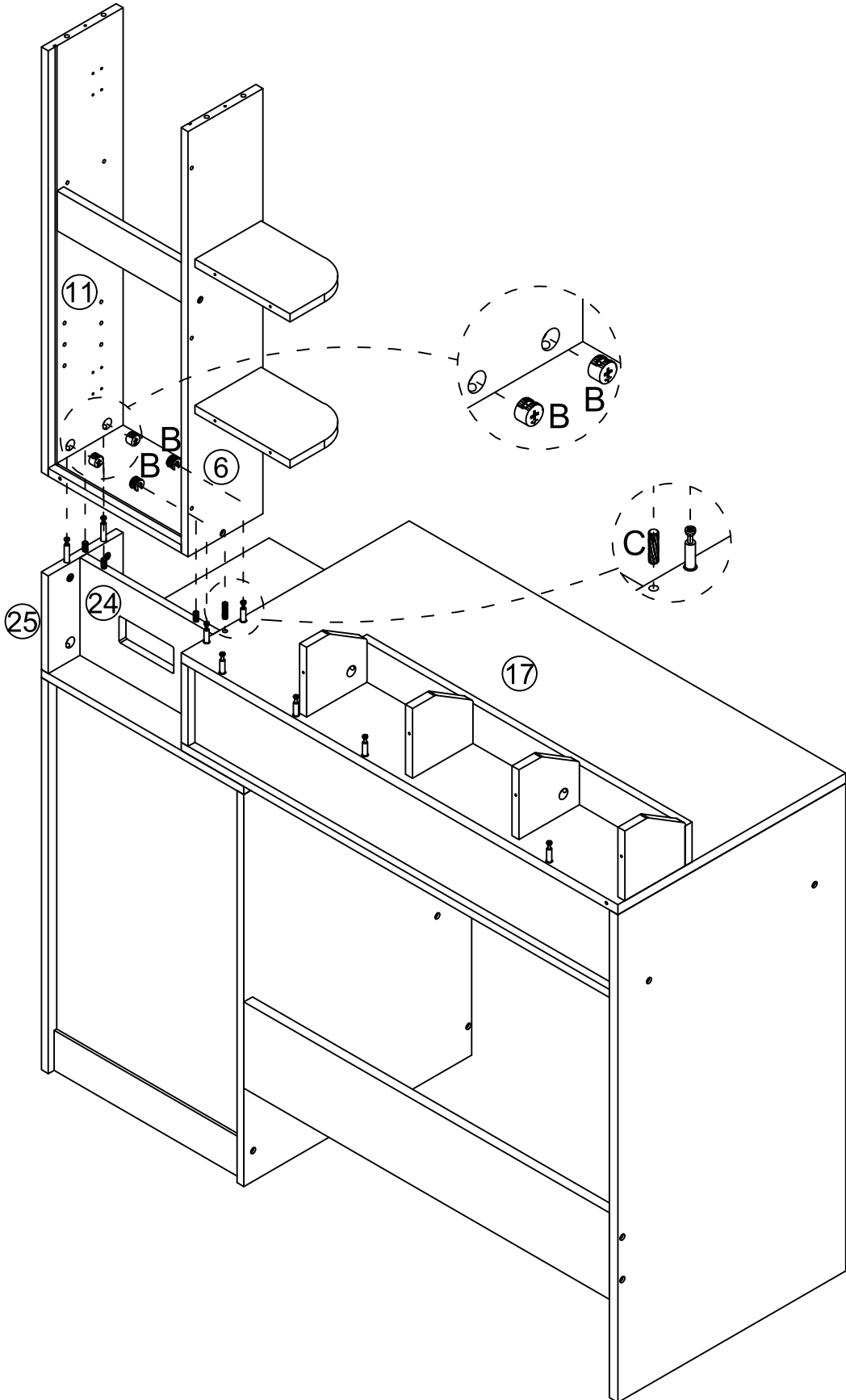
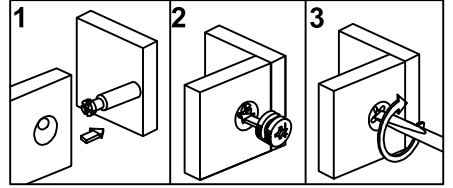
10 x1

11 x1



B x4

C x1



C x4



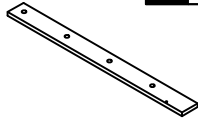
H x12



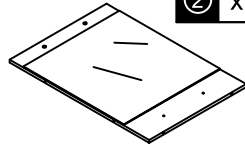
I x6



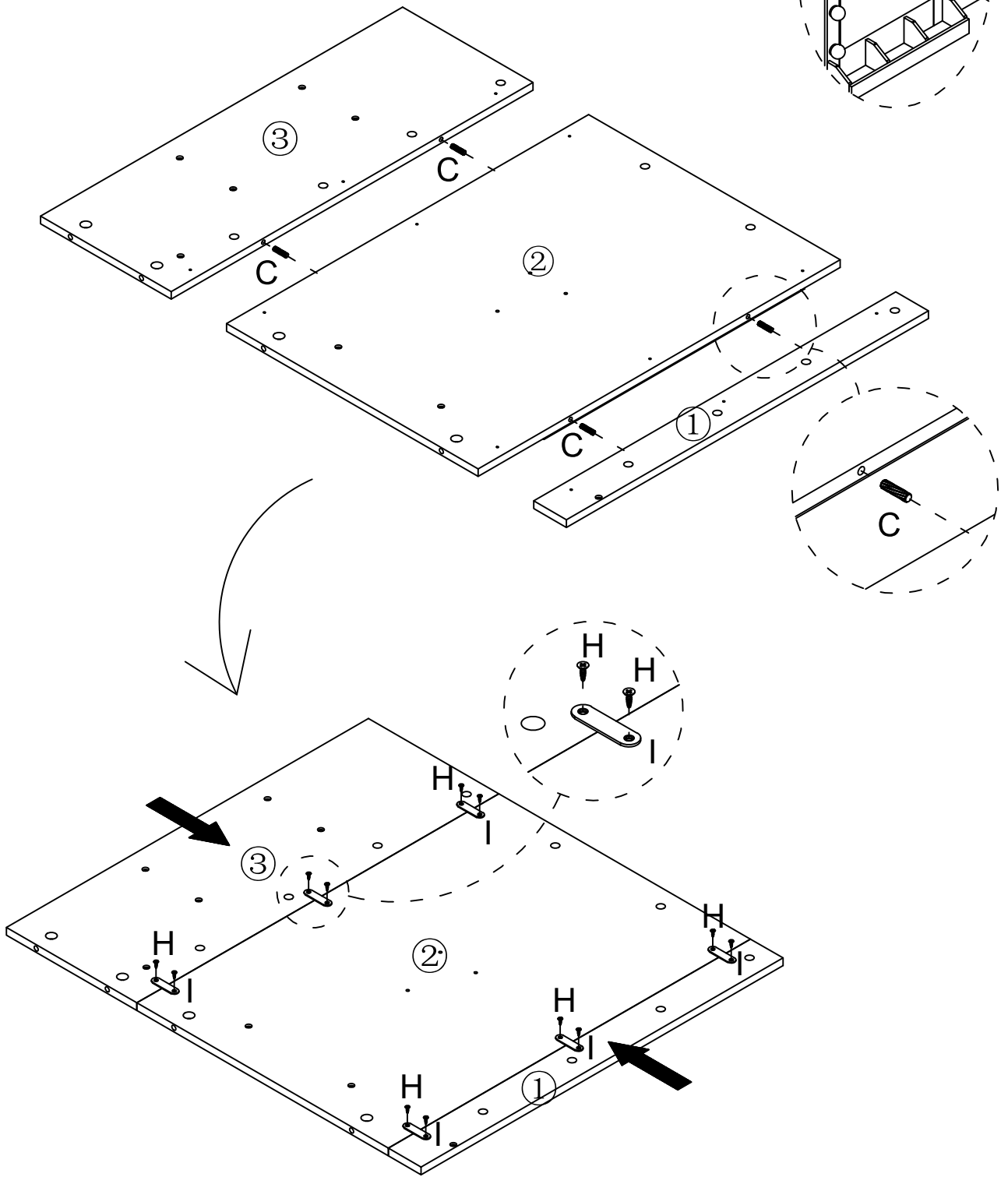
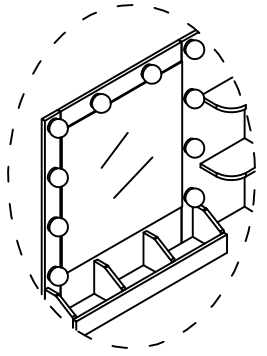
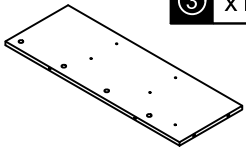
① x1



② x1

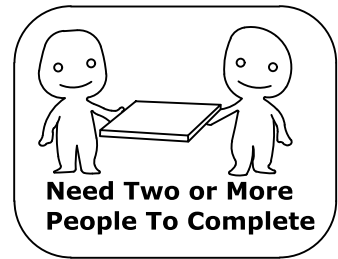
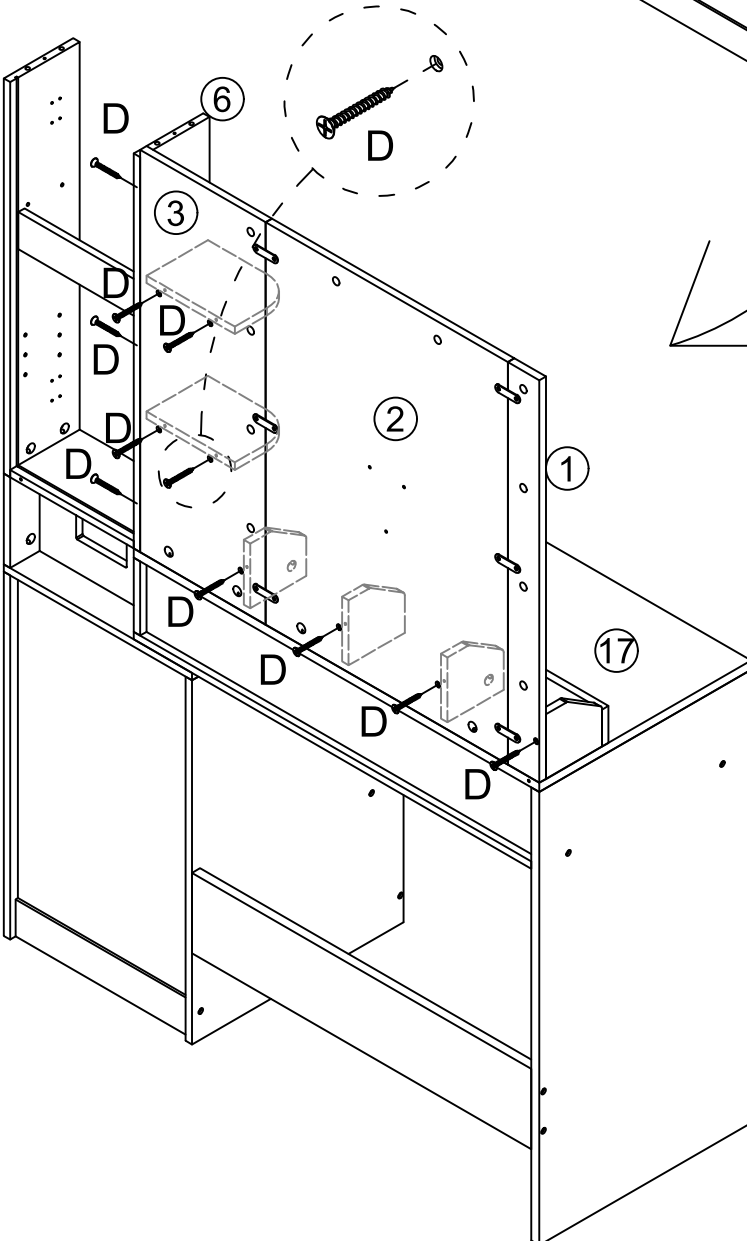
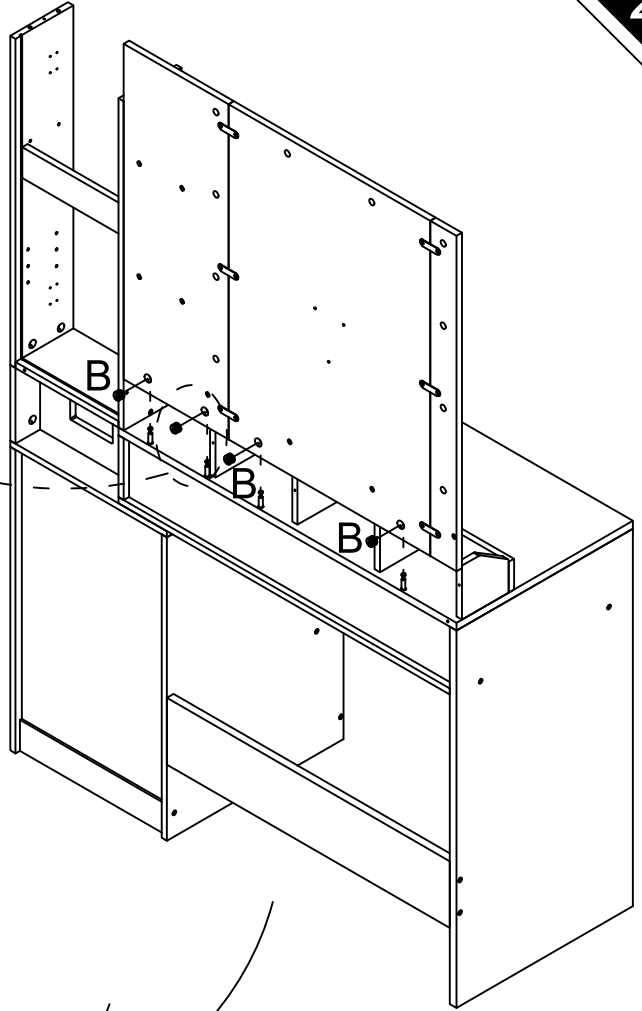
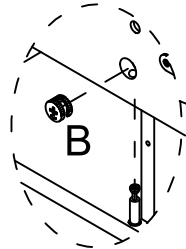
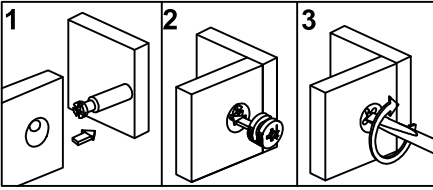


③ x1



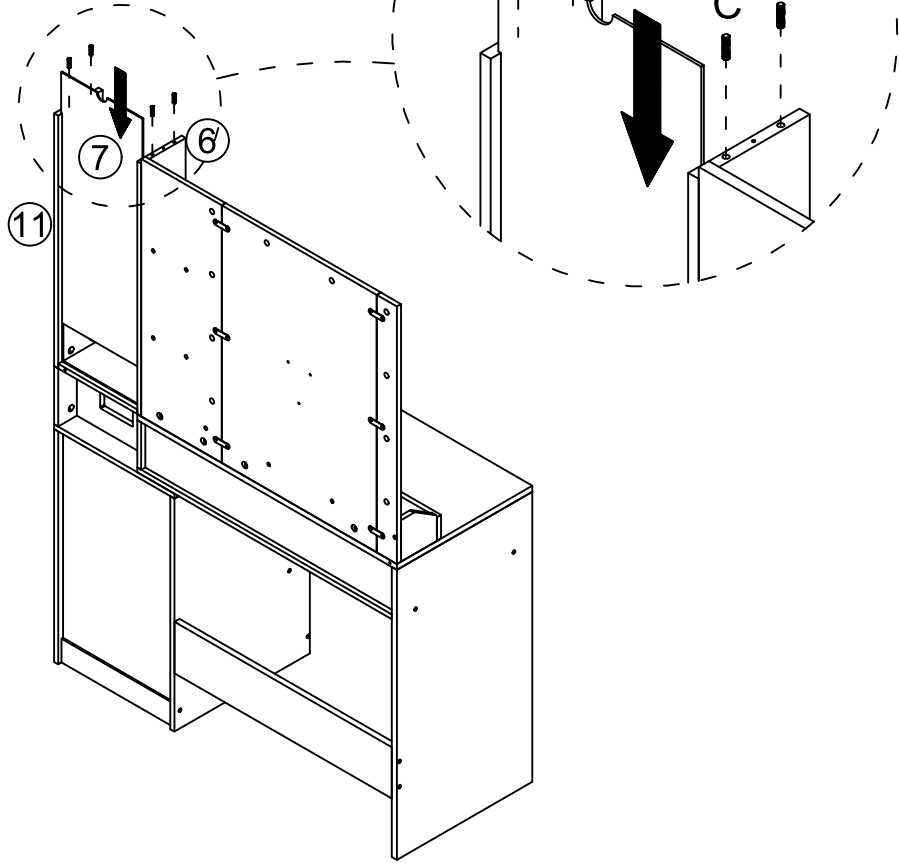
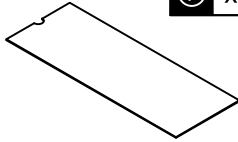
B x4

D x11



C x4

7 x1

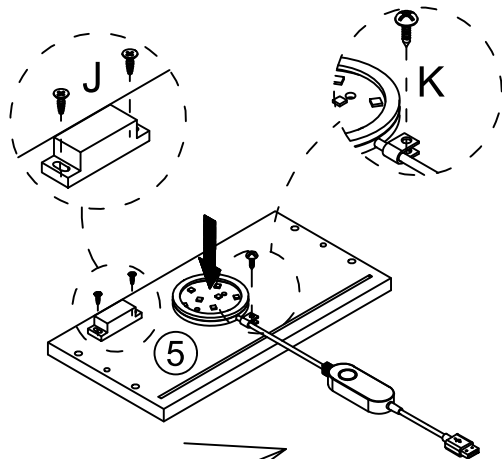
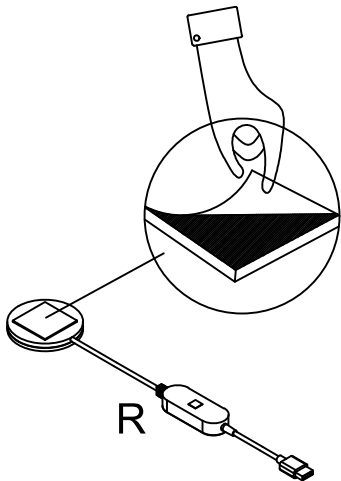
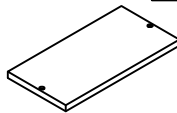


J x1

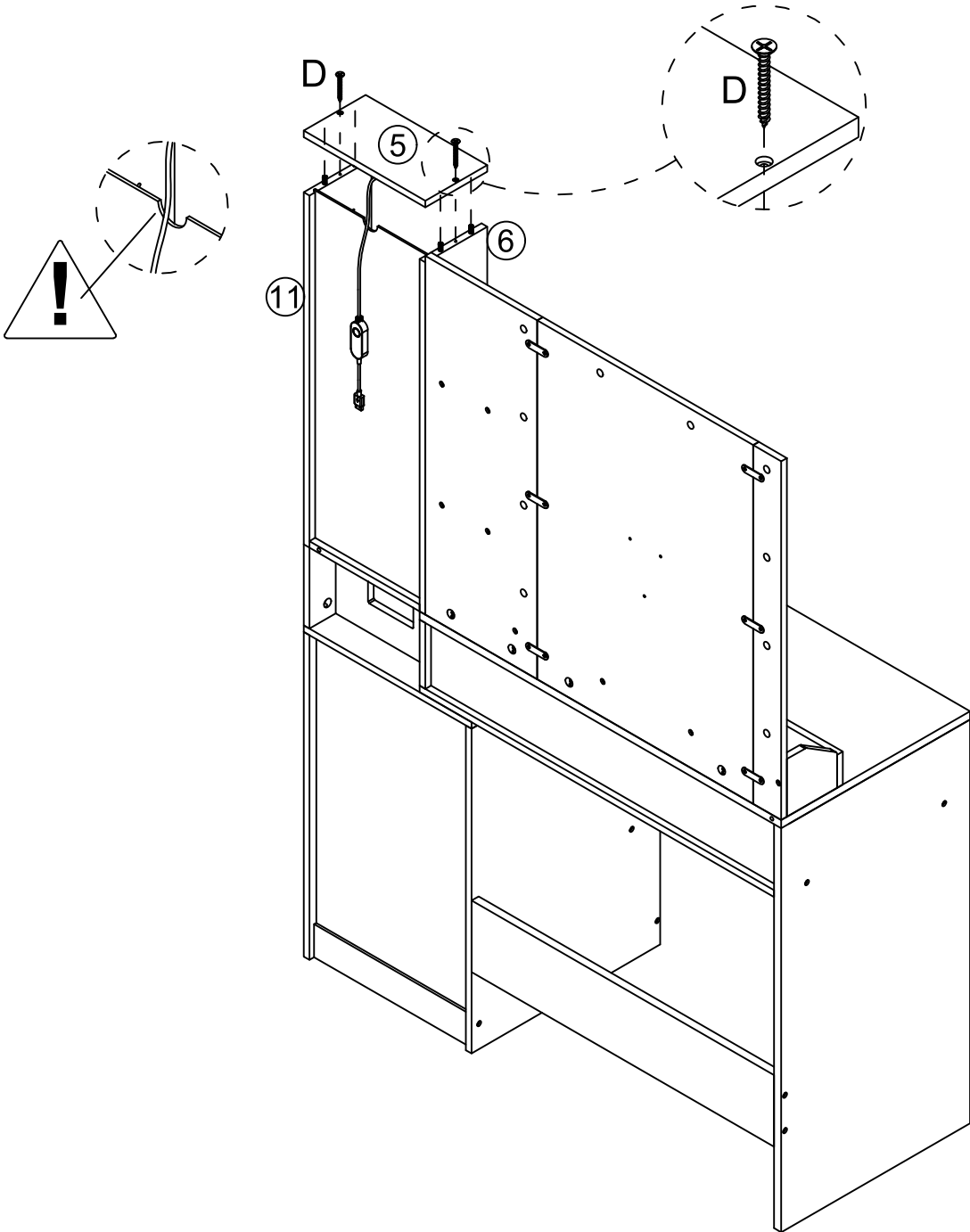
K x1

R x1

5 x1

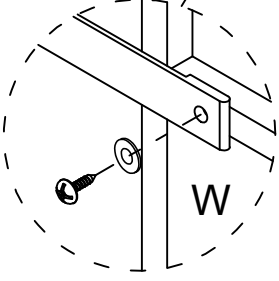
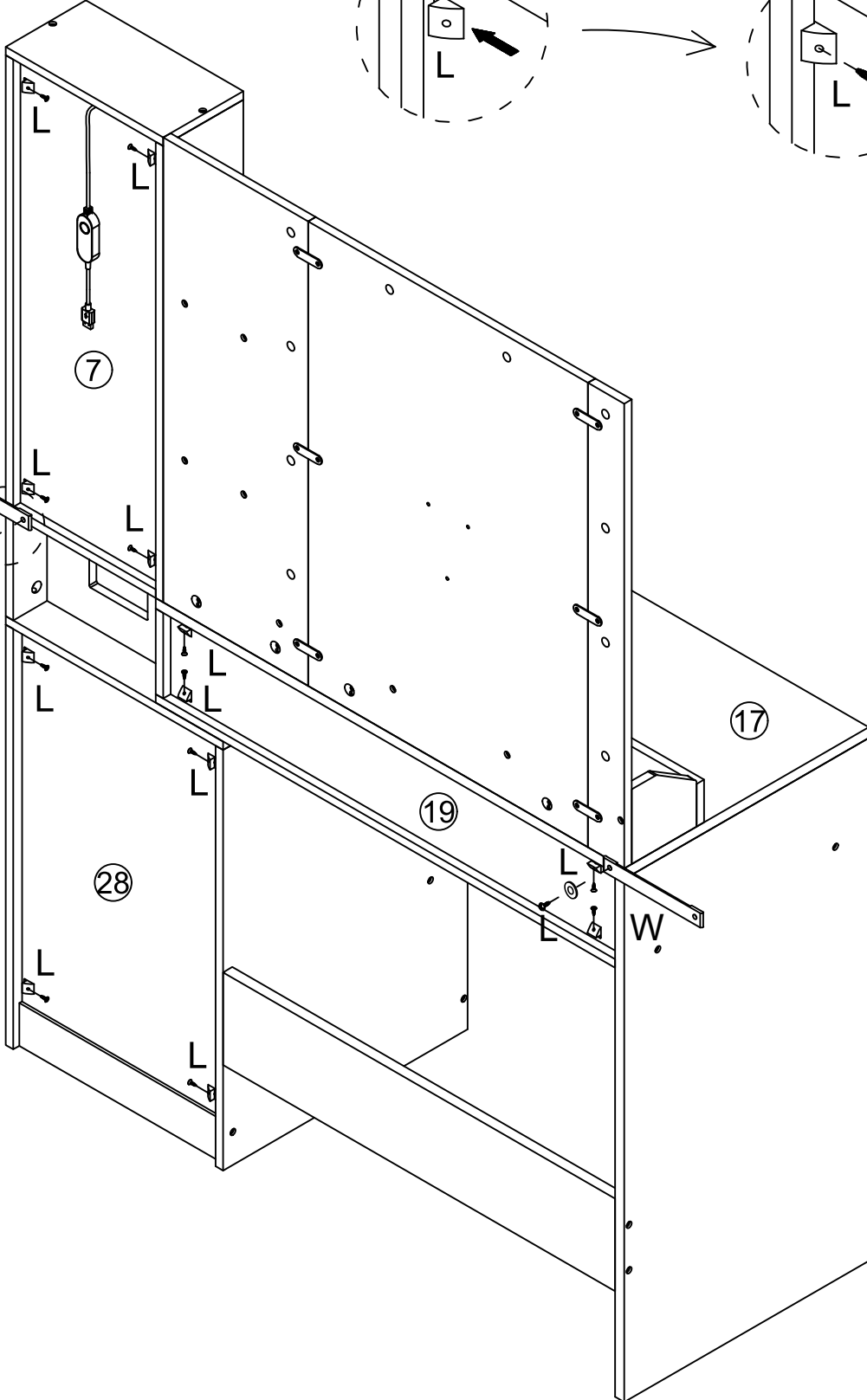
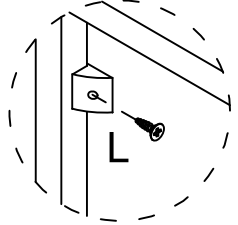
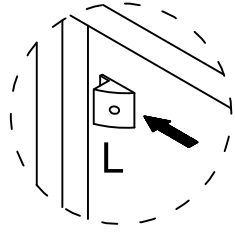


D x2



L x12

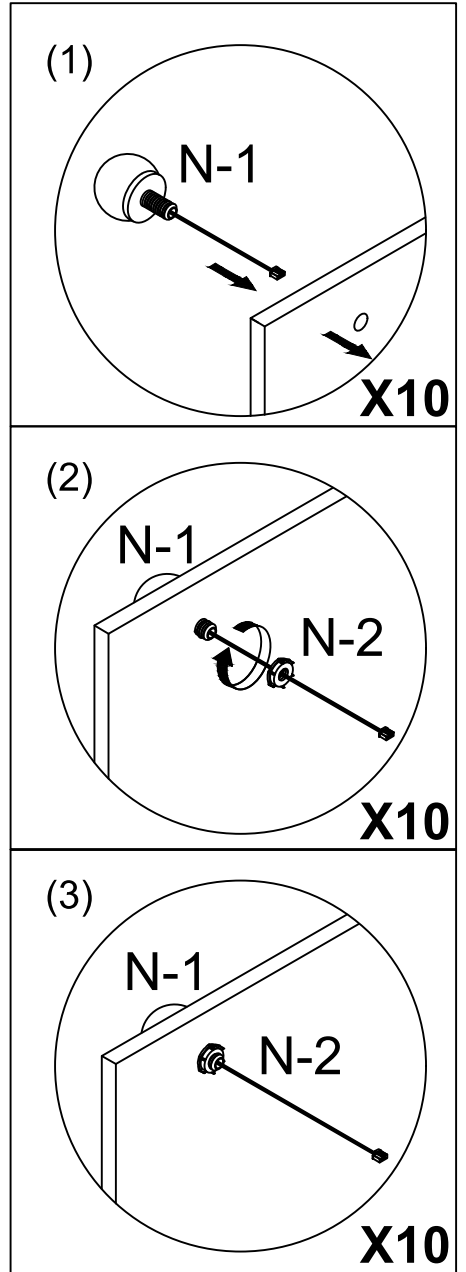
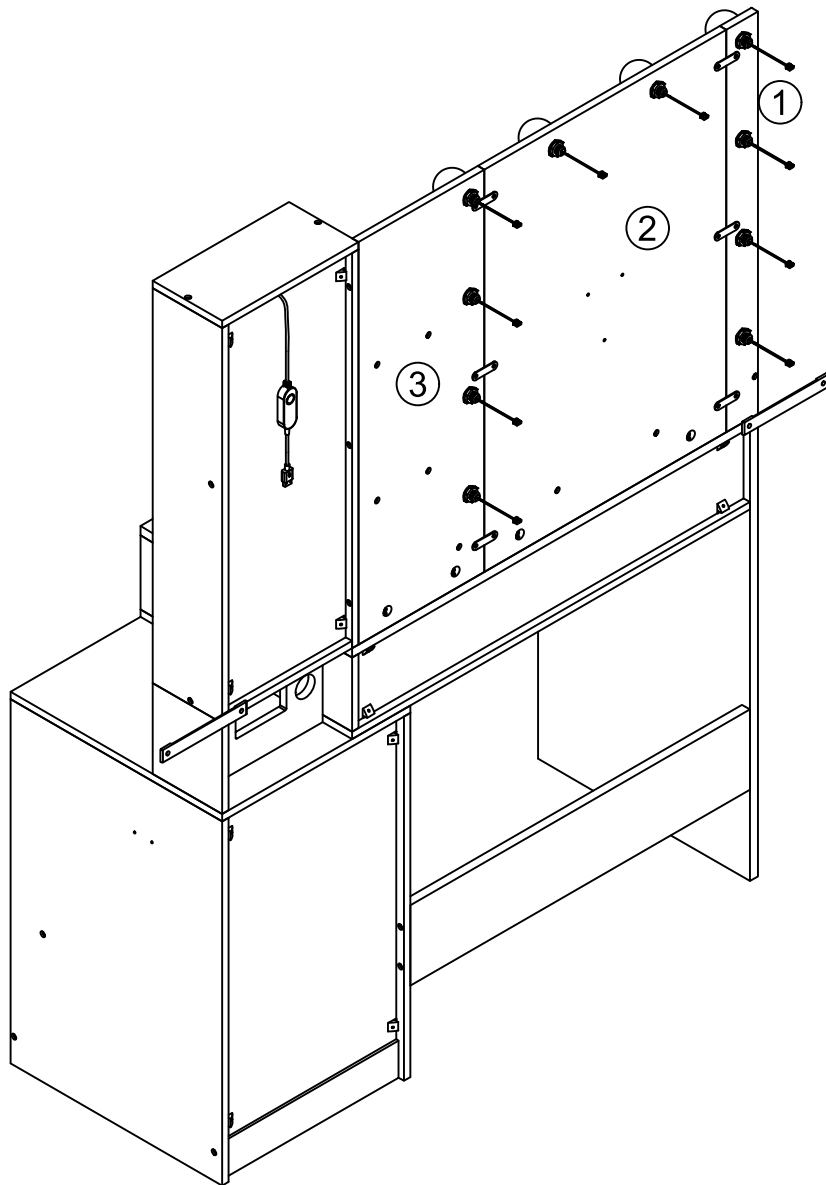
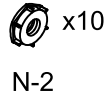
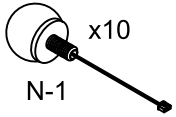
W x2

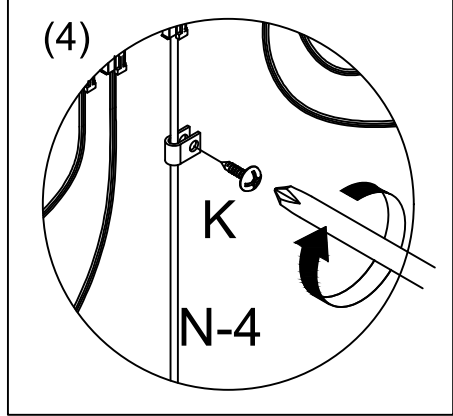
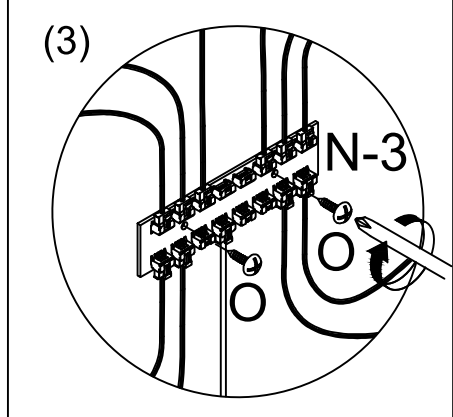
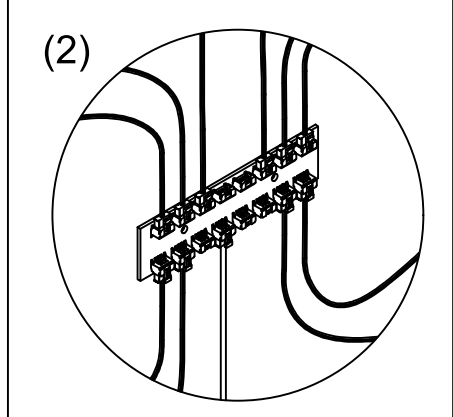
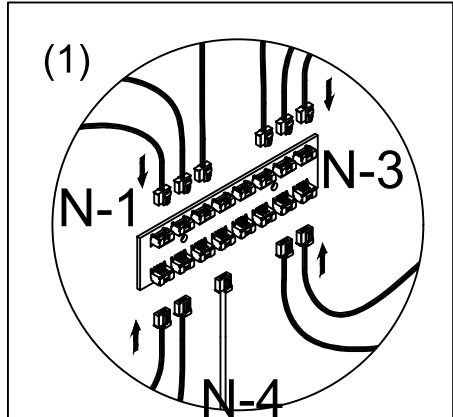
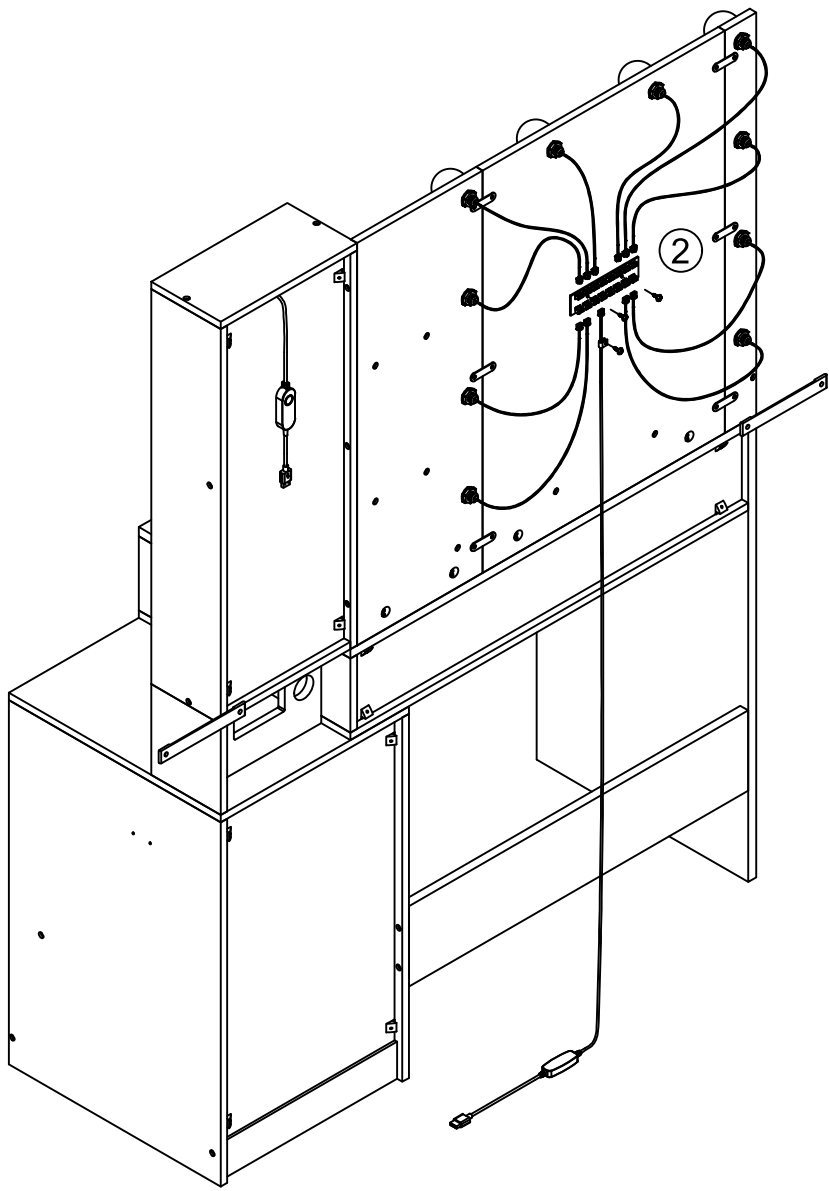
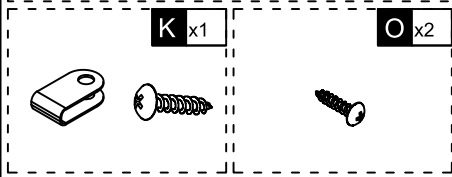
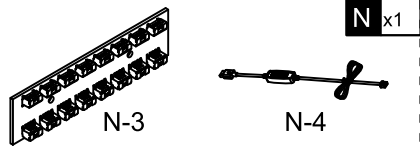


W

W

N x1





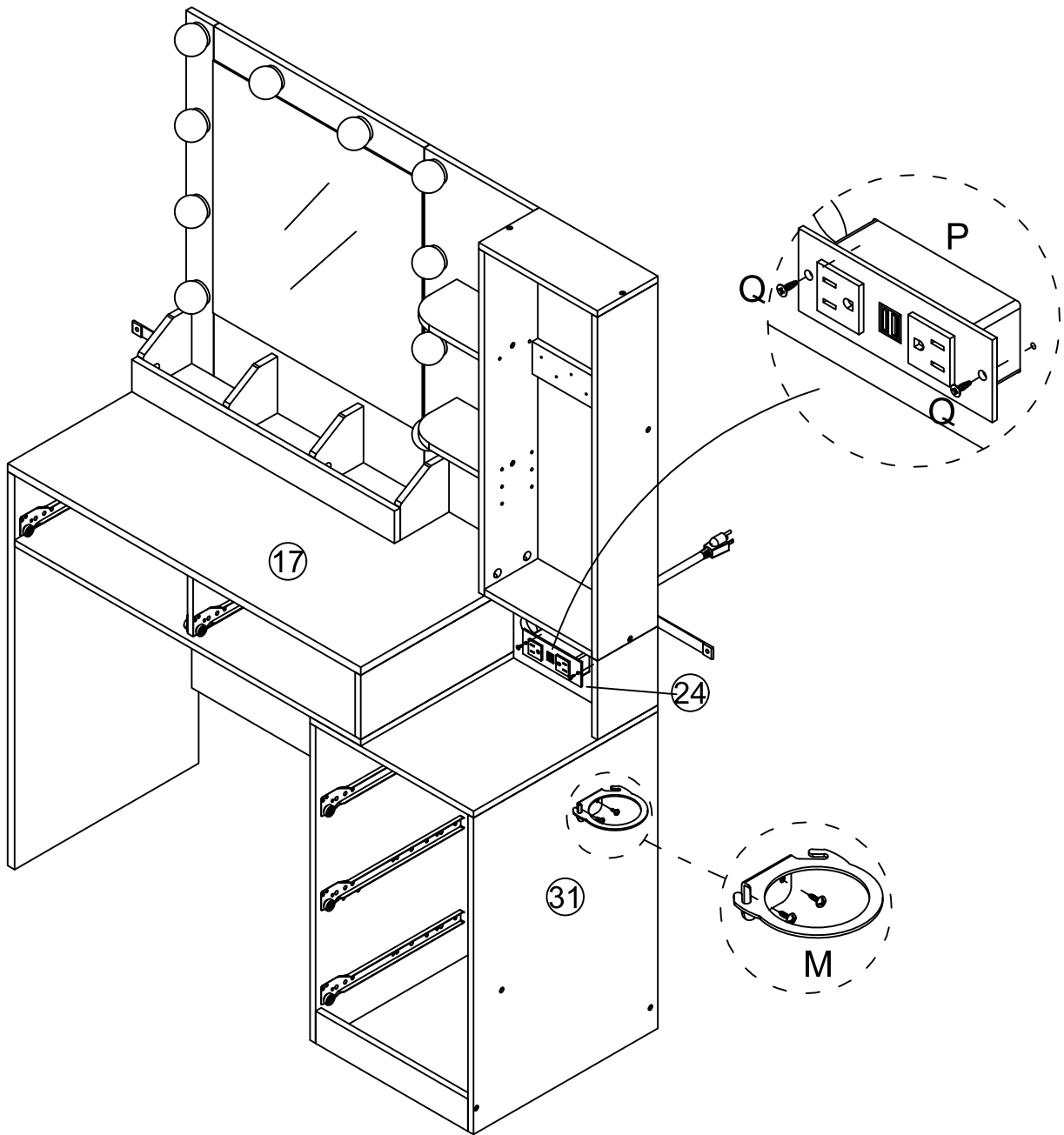
M x1



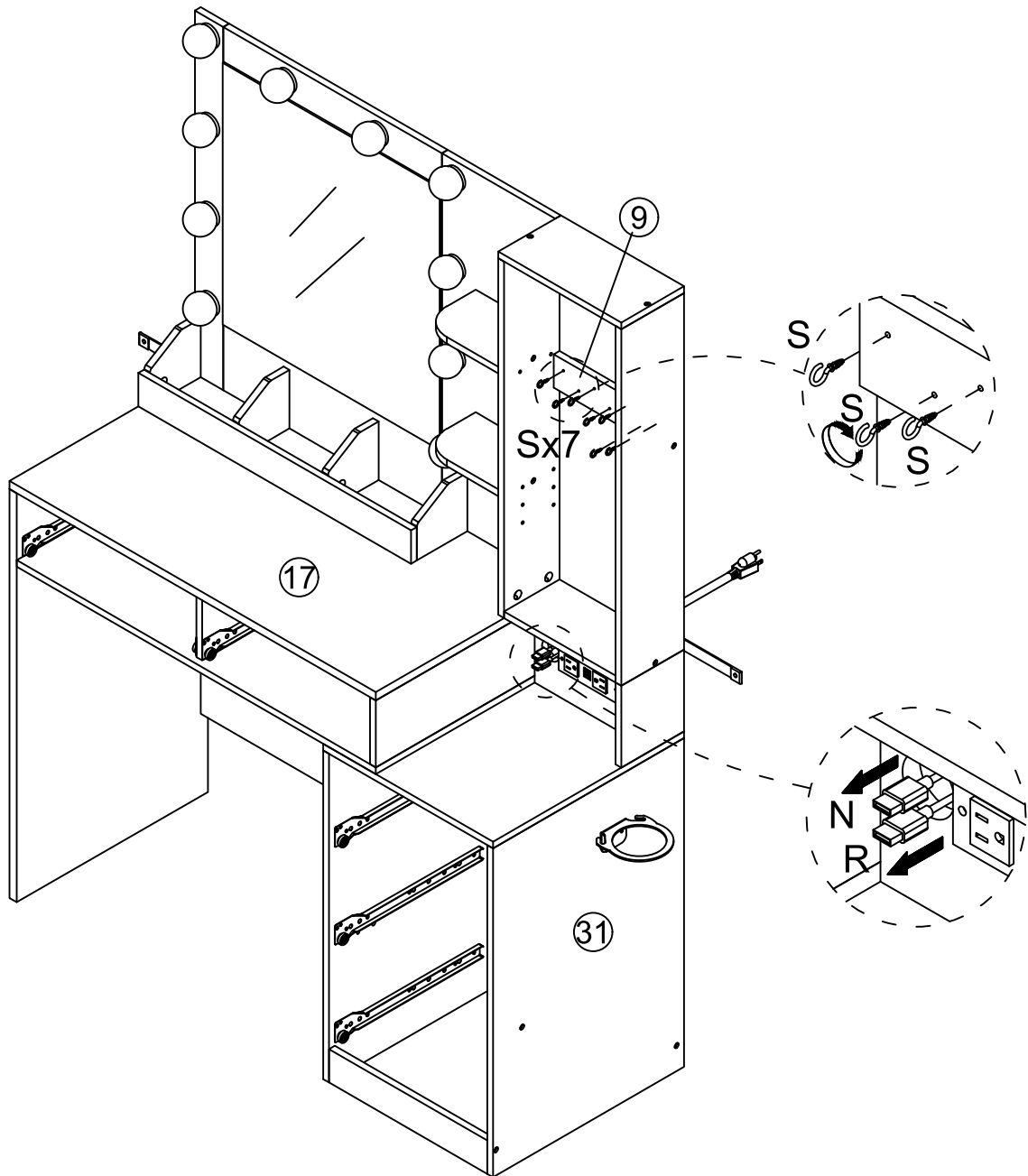
P x1



Q x2

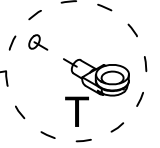
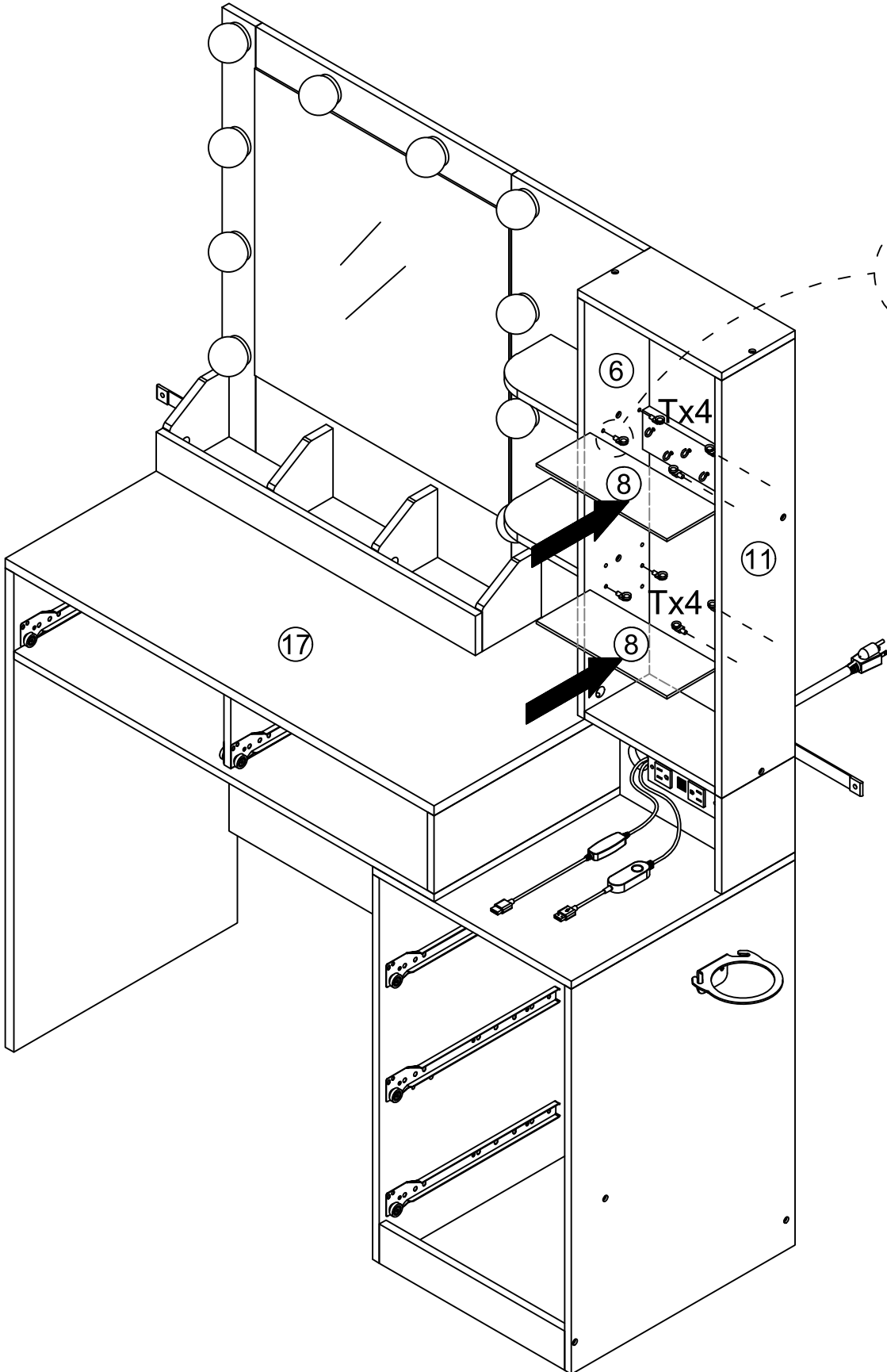
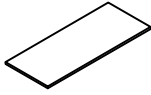


S x7



T x8

8 x2



17

6

T x4

8

11

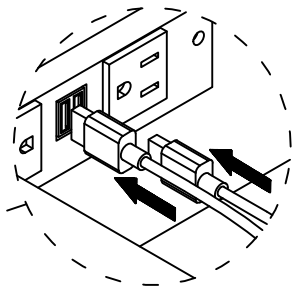
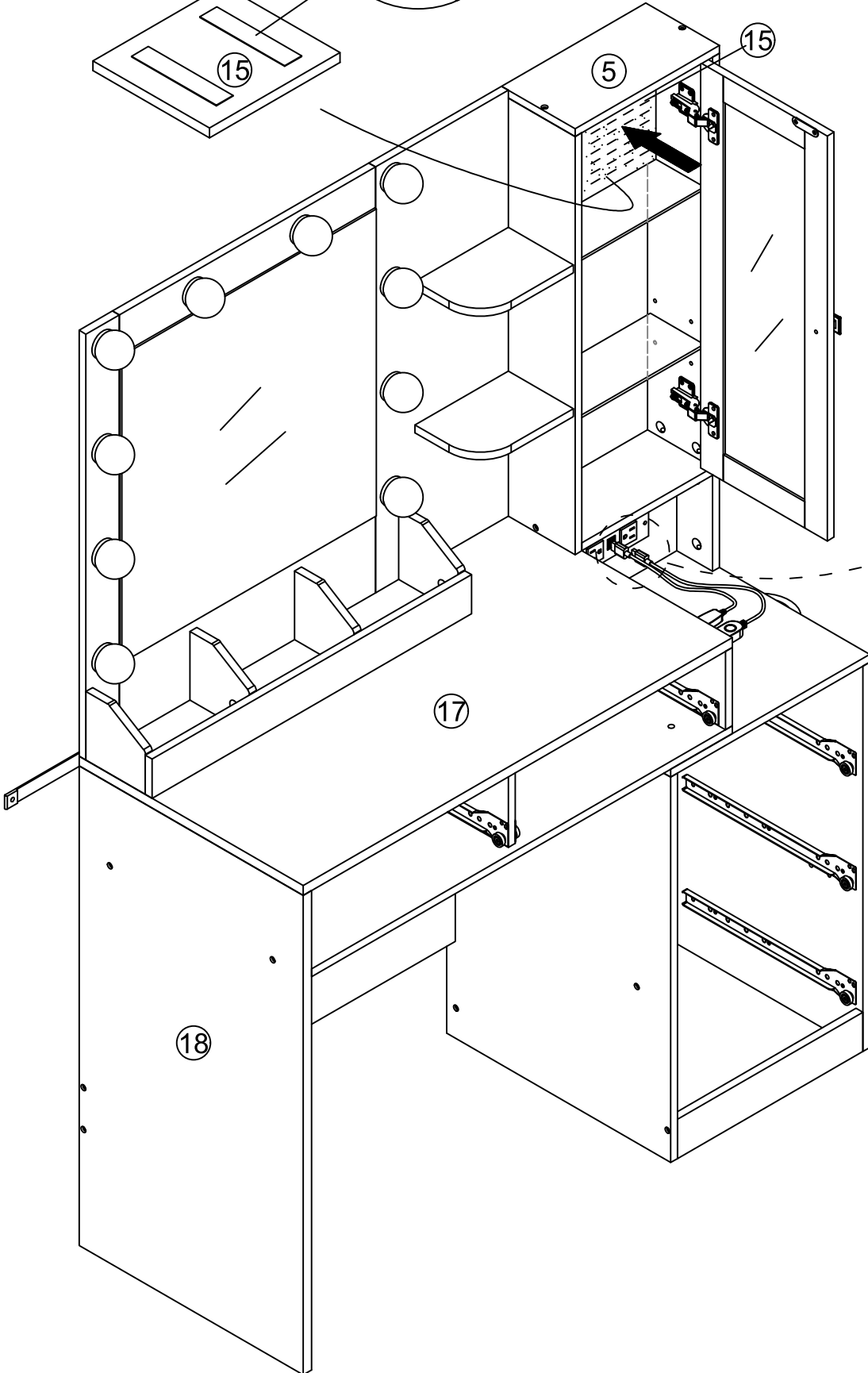
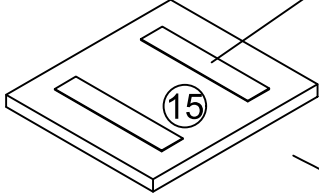
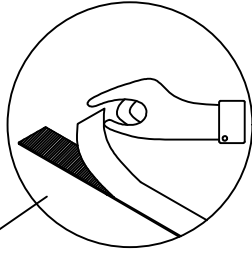
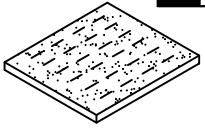
T x4

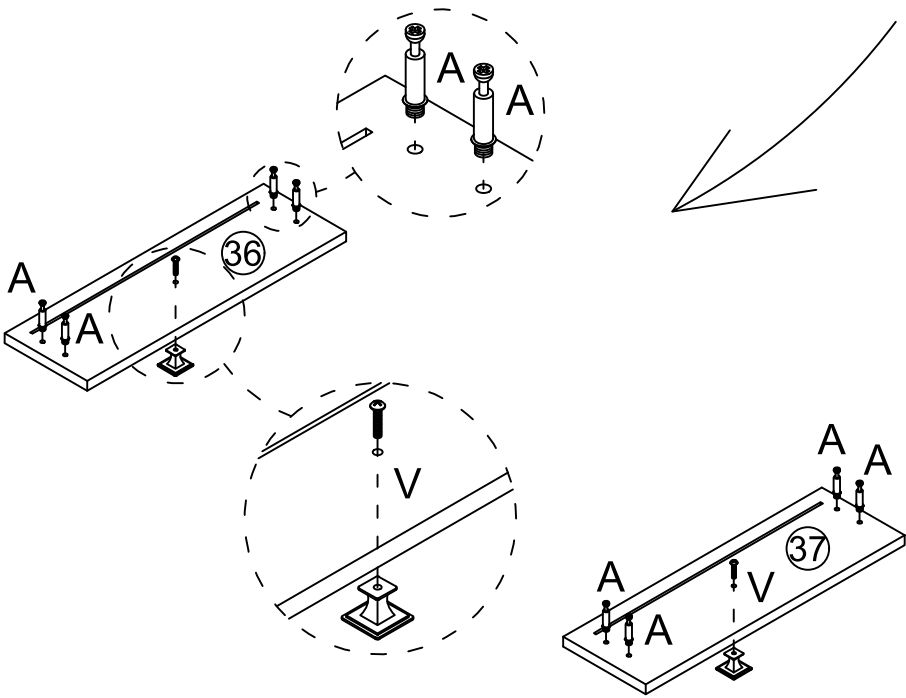
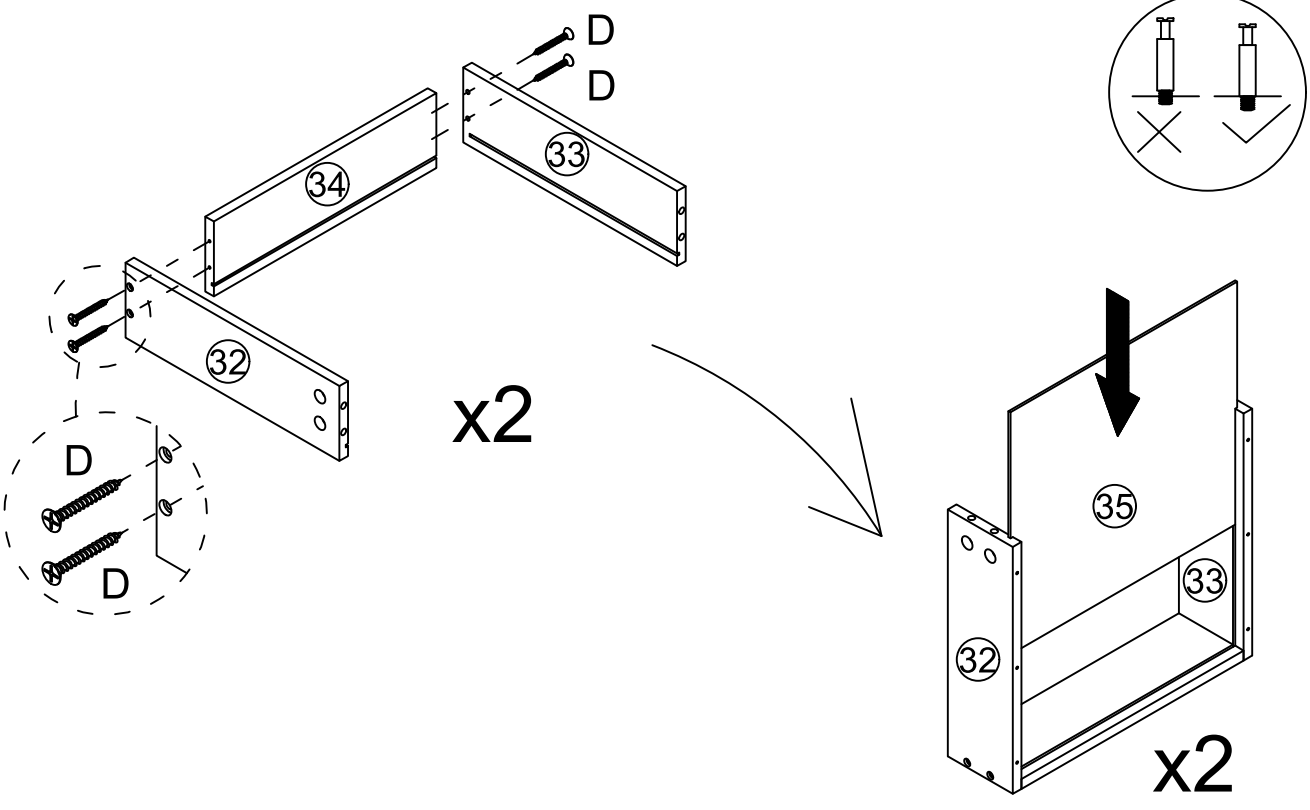
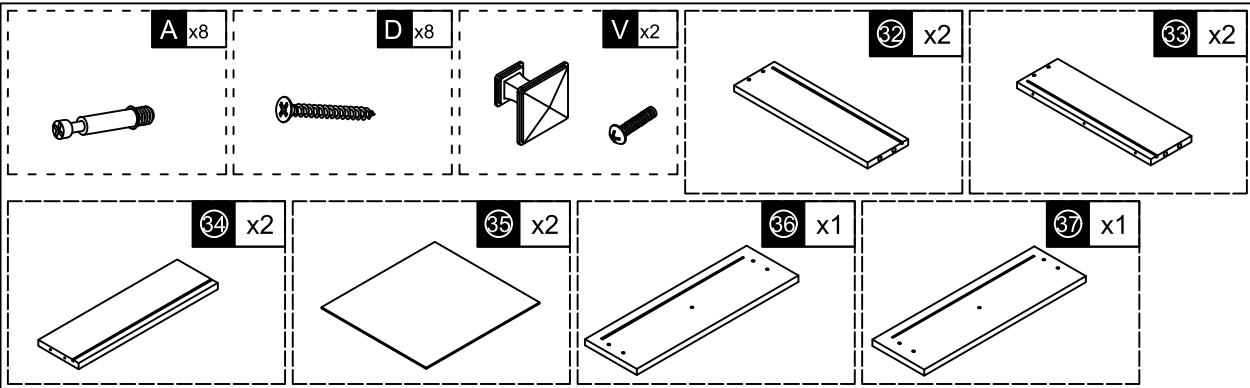
8





15 x1



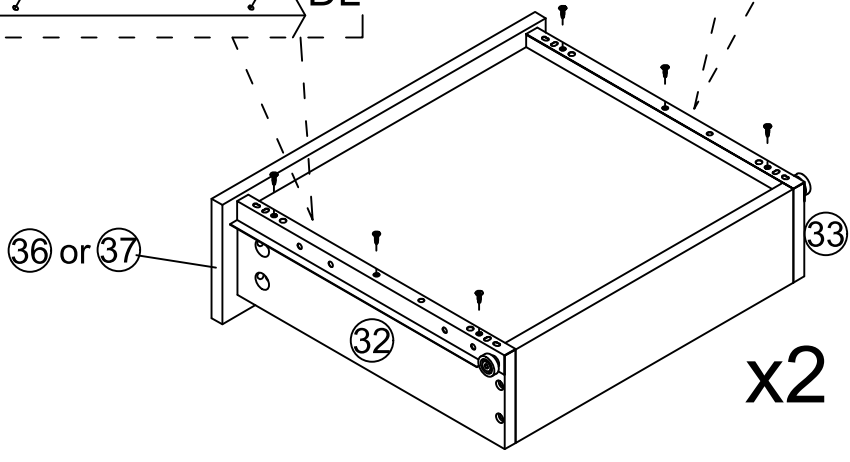
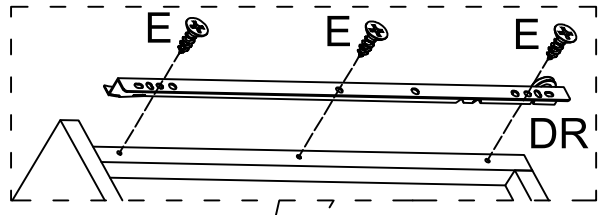
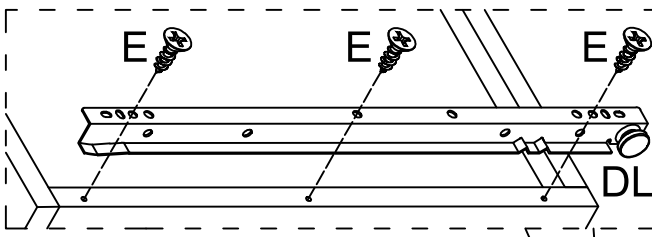
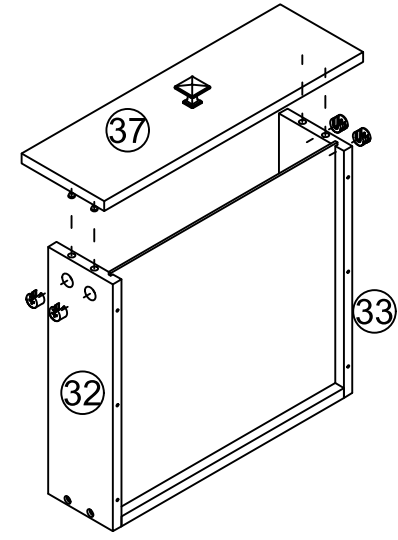
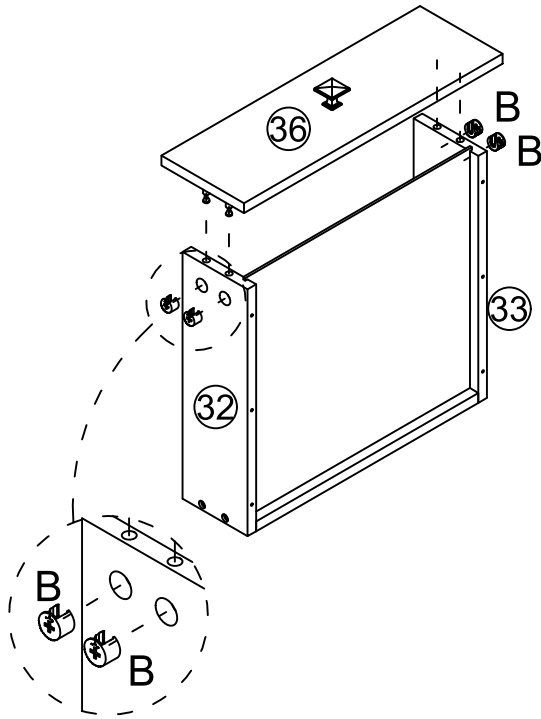
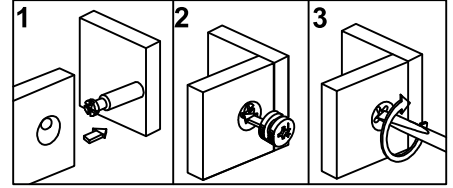


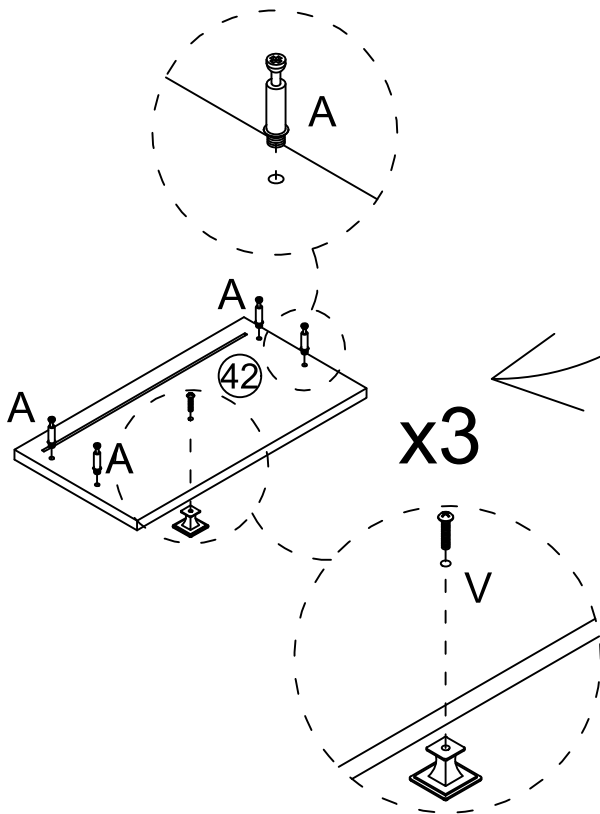
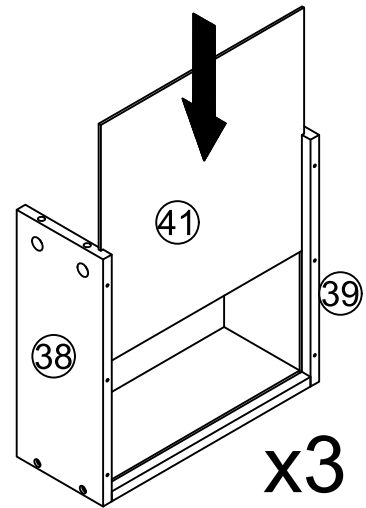
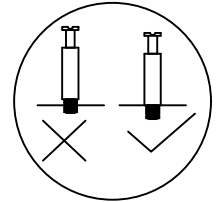
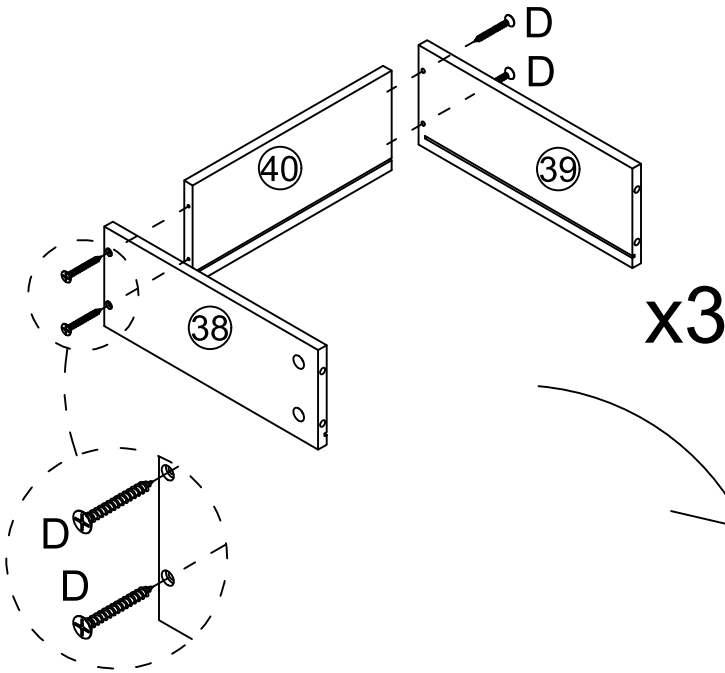
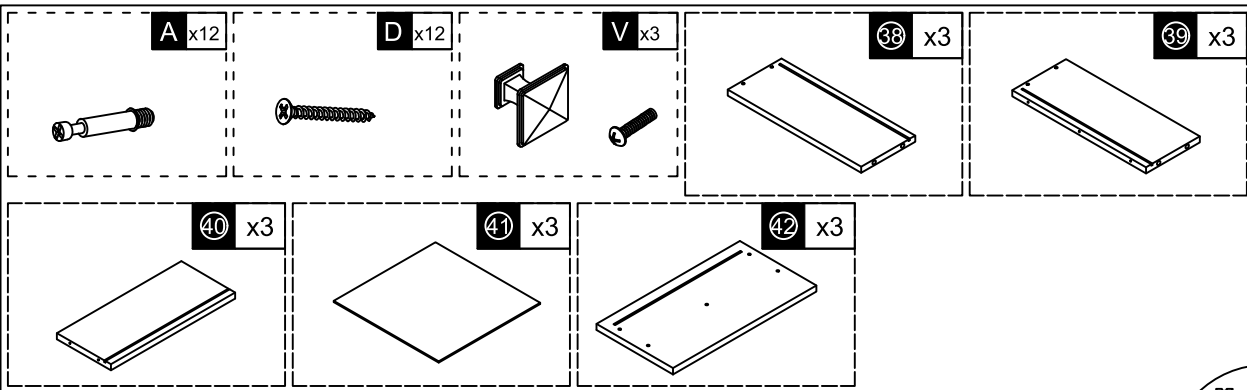
B x8

E x12

DL x2

DR x2



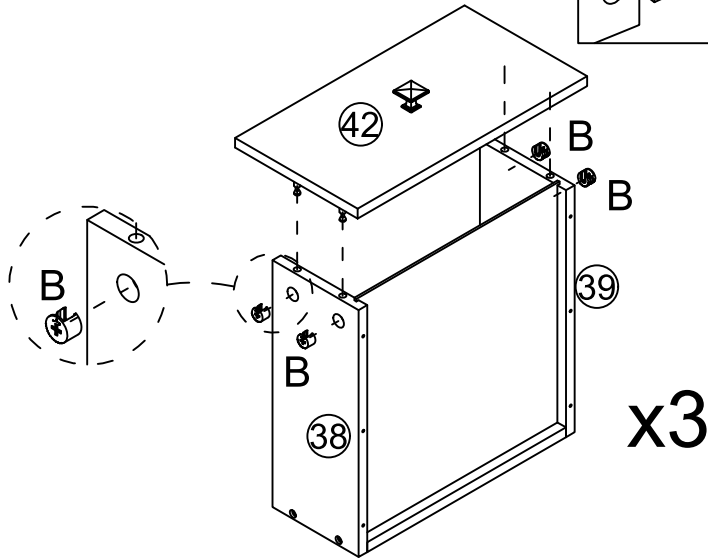
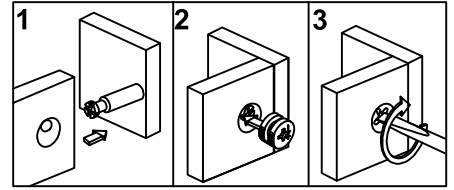


B x12

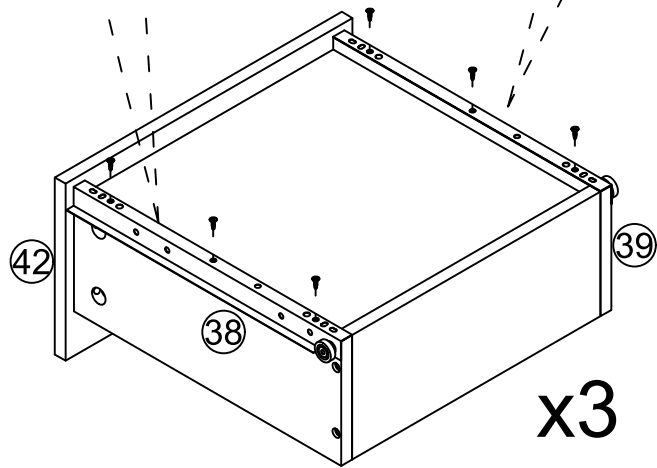
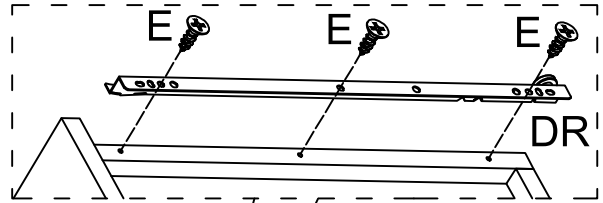
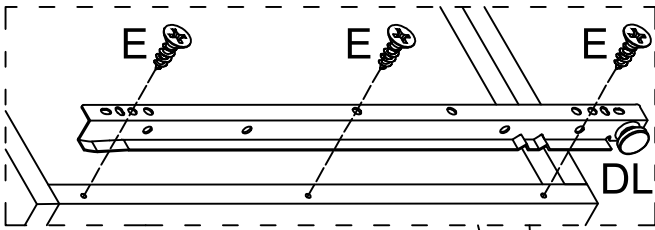
E x18

DL x3

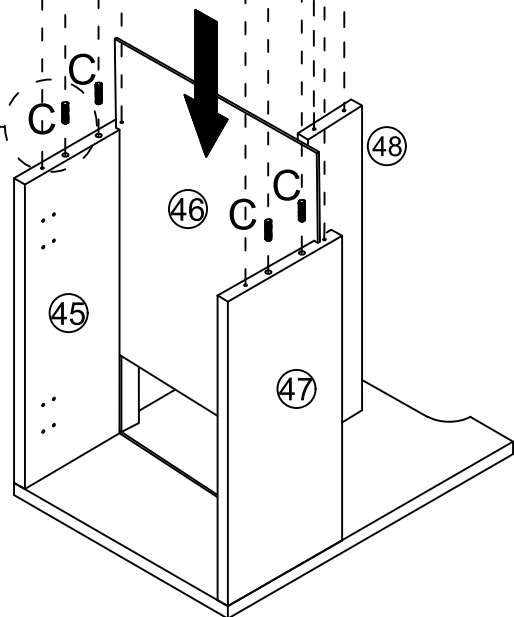
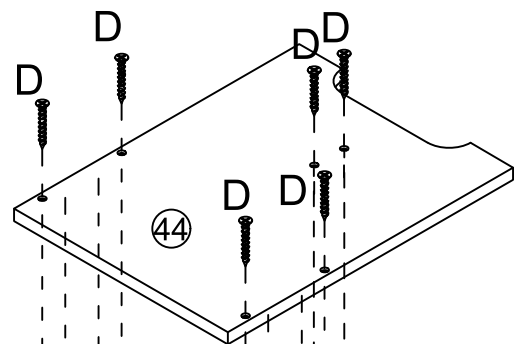
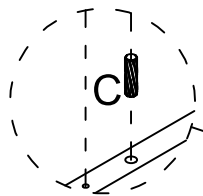
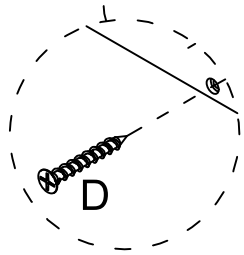
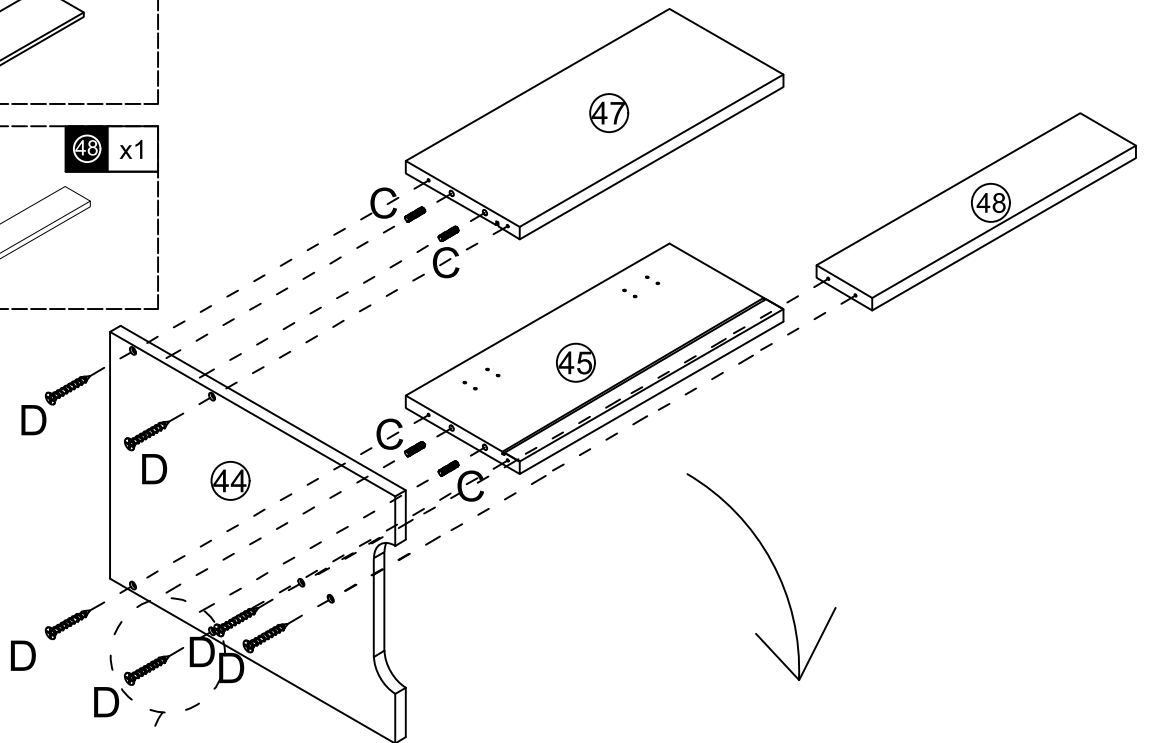
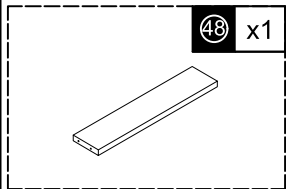
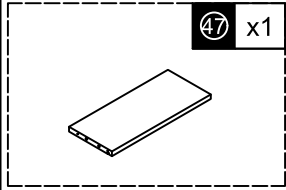
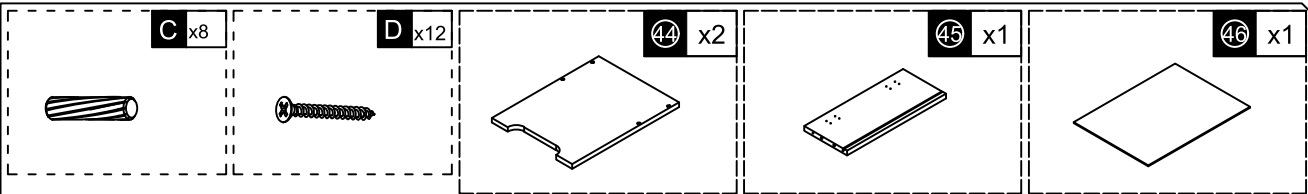
DR x3



x3



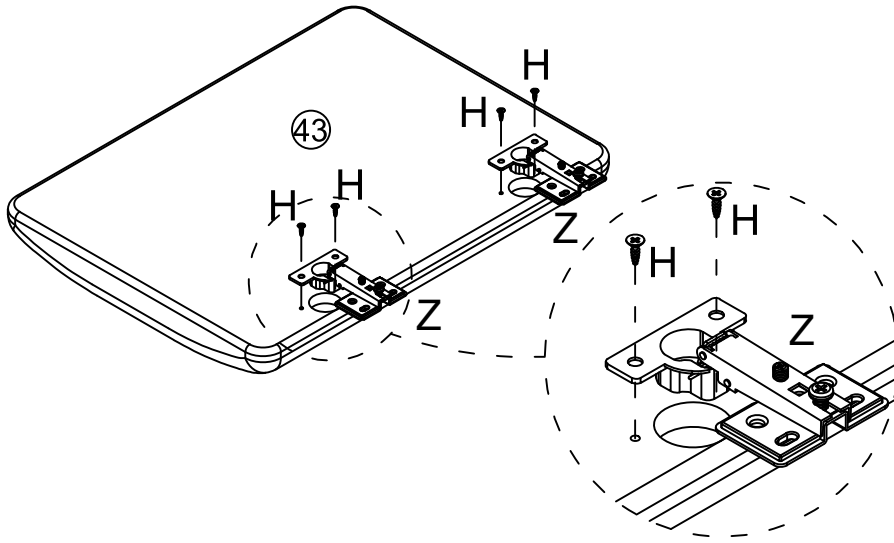
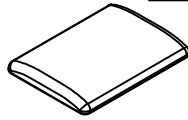
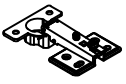
x3



Z x2

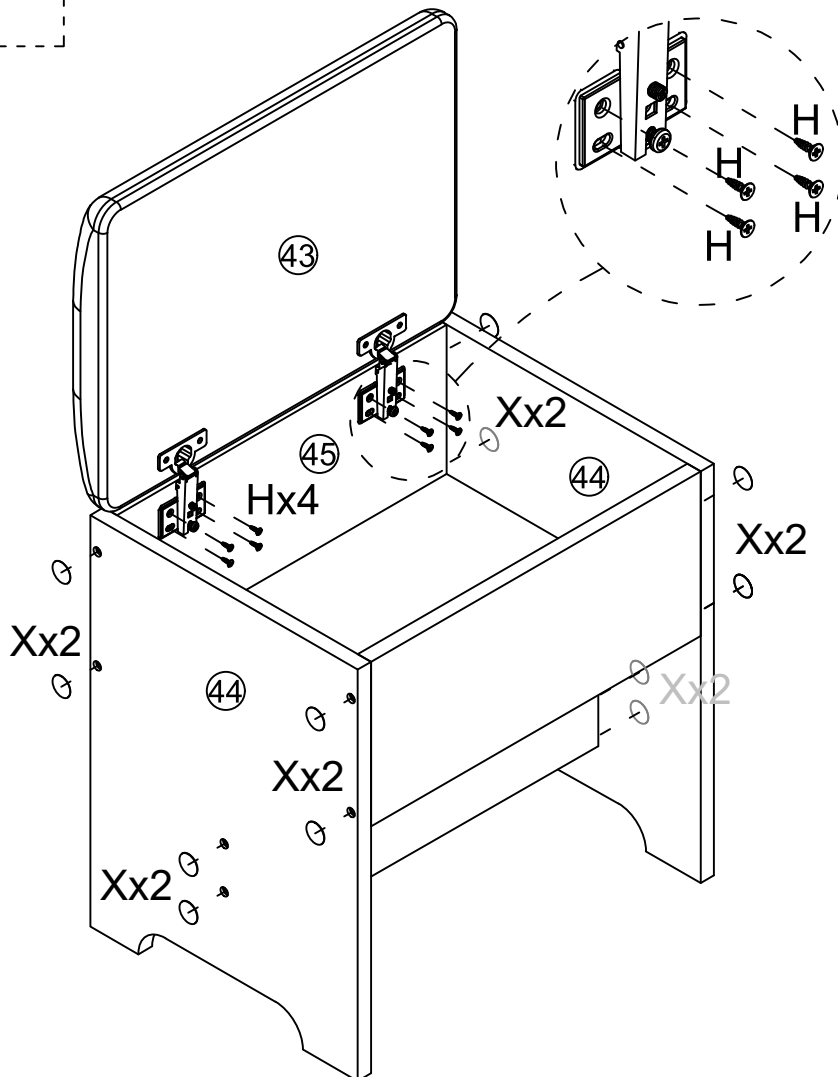
H x4

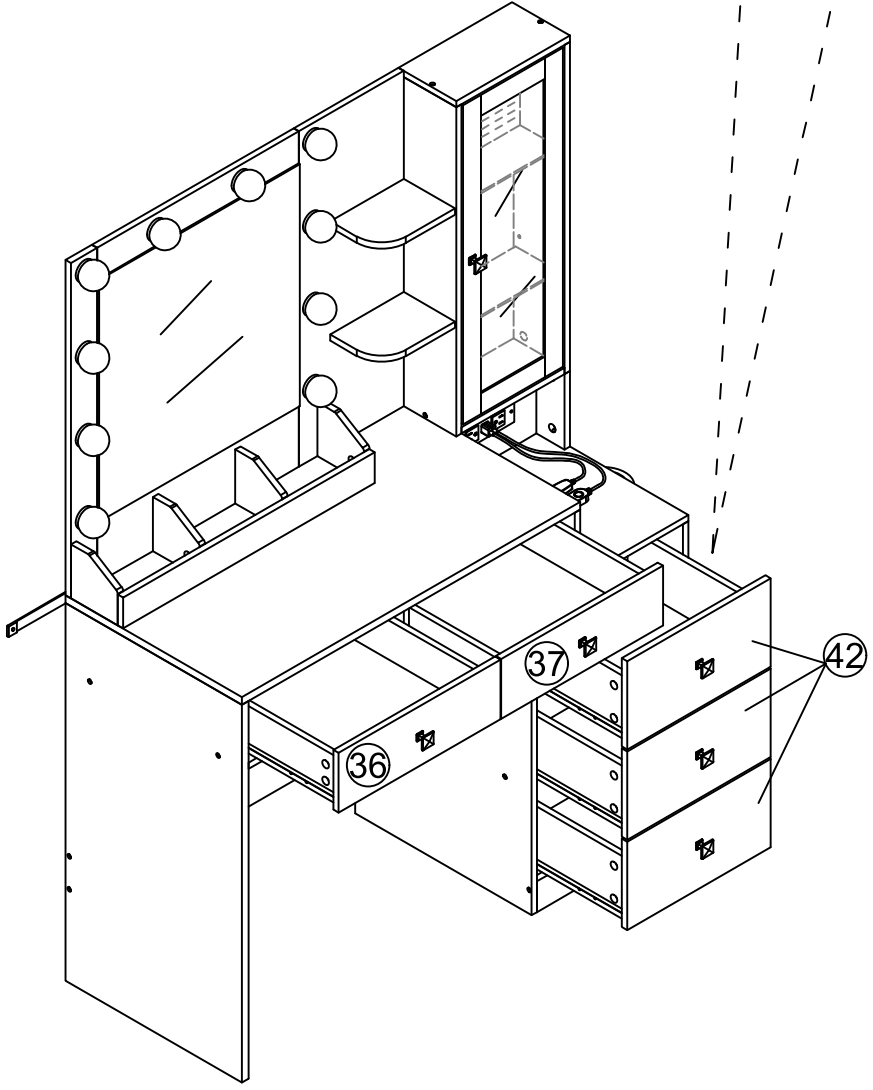
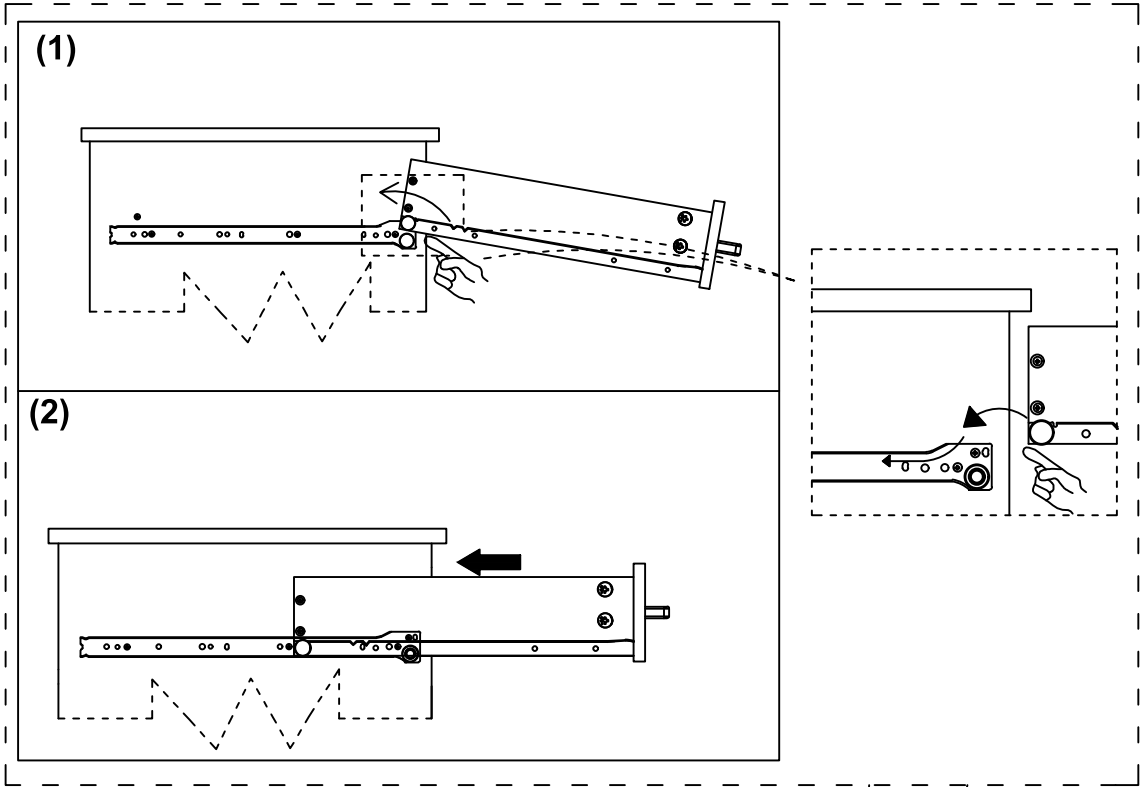
43 x1



H x8

X x12





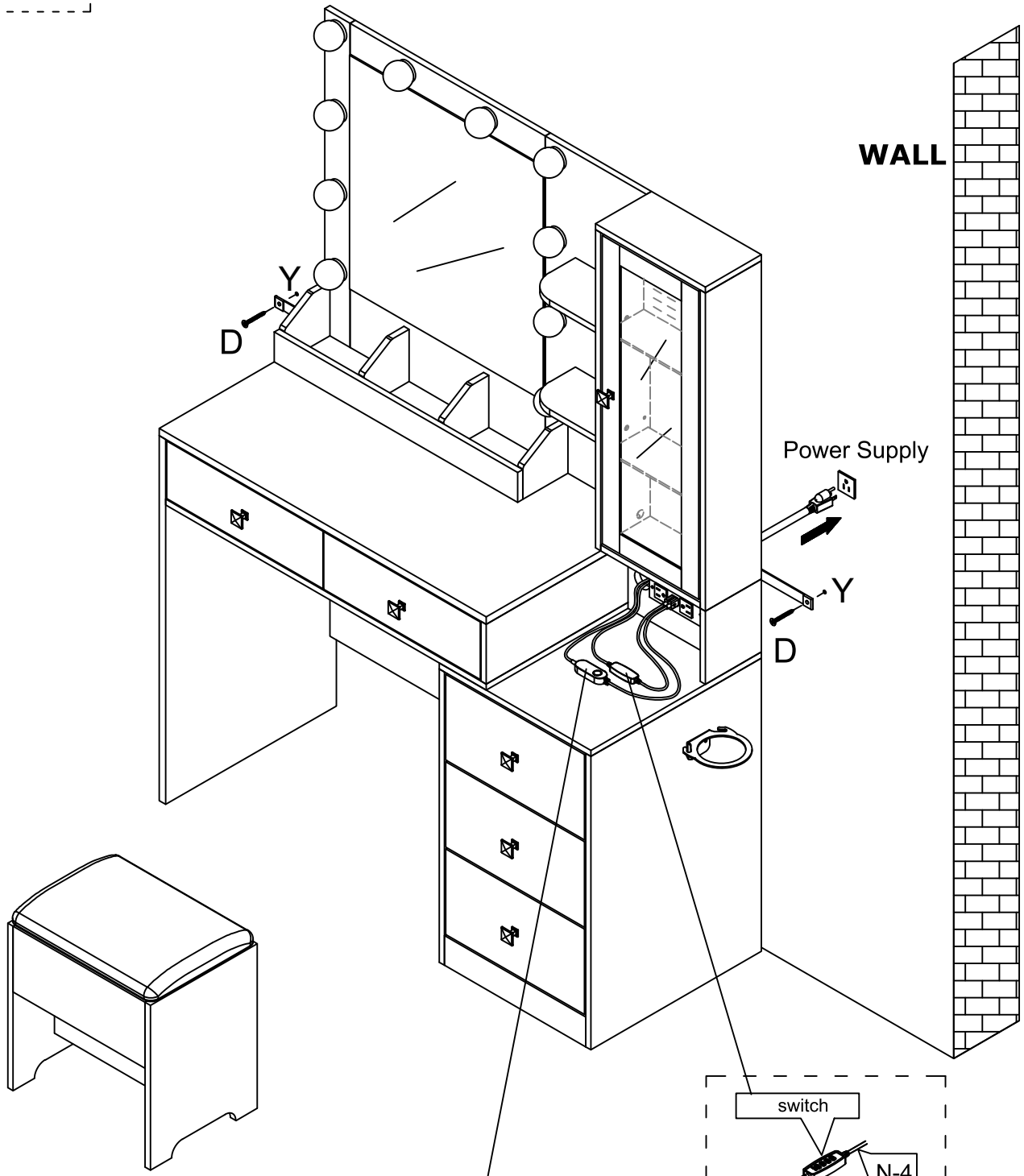
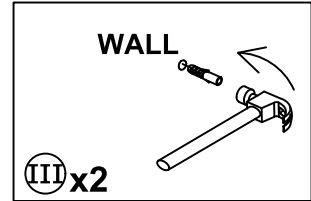
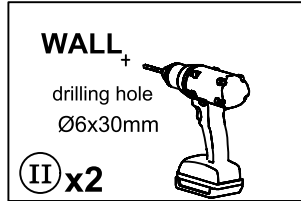
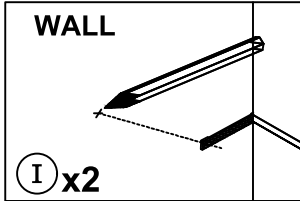


Done

D x2



Y x2



Power Supply

WALL

switch

N-4

Scan qr code to download APP  
Bluetooth control

OR

Flip to the other side for  
key control

