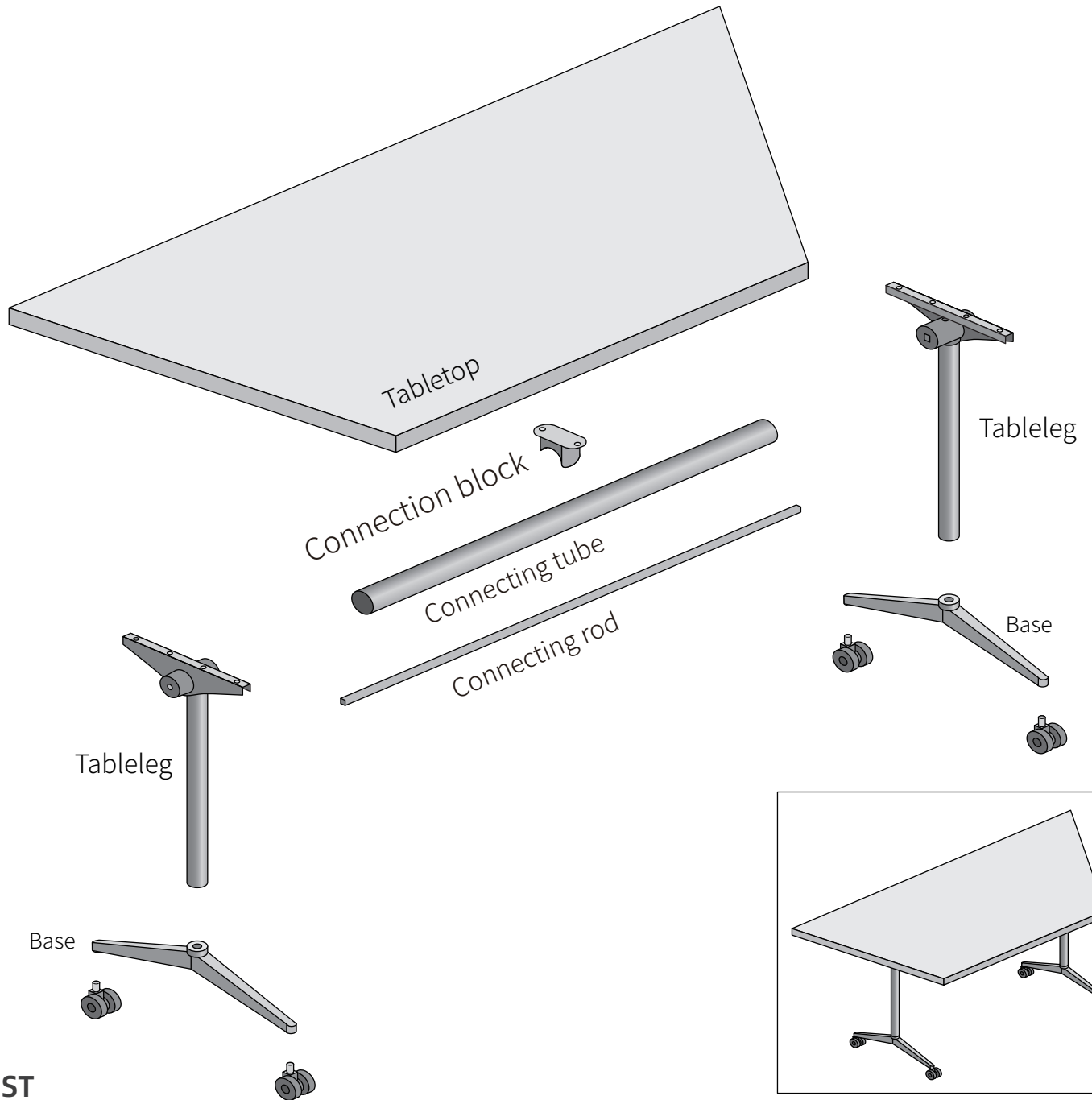


INSTALLATION INSTRUCTIONS

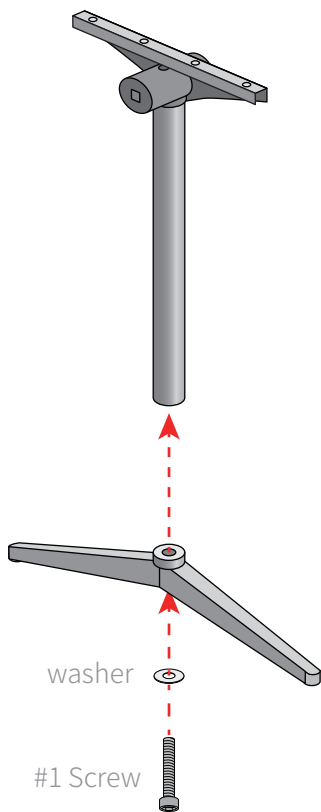


PARTS LIST

 <p>#1 Screw</p>	 <p>Washer</p>	 <p>#2 Screw</p>	 <p>Self-tapping screws</p>
 <p>L-shaped Allen wrench</p>	 <p>Wrench</p>	 <p>connector</p>	 <p>Casters</p>

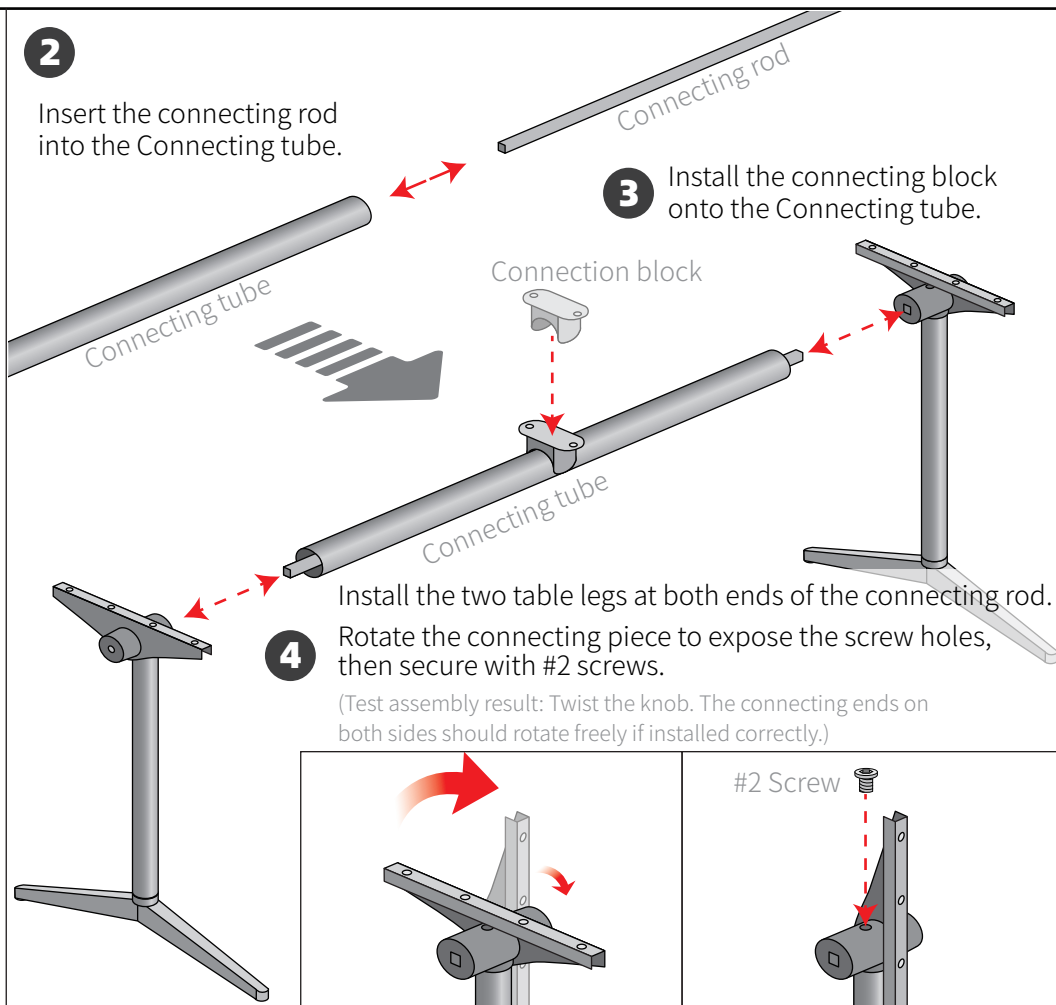
1

Attach the base to the bottom of the table leg and fasten with #1 screws and washers.



2

Insert the connecting rod into the Connecting tube.



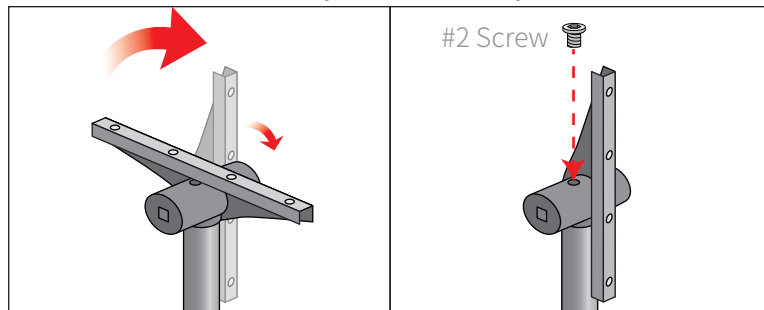
3

Install the connecting block onto the Connecting tube.

4

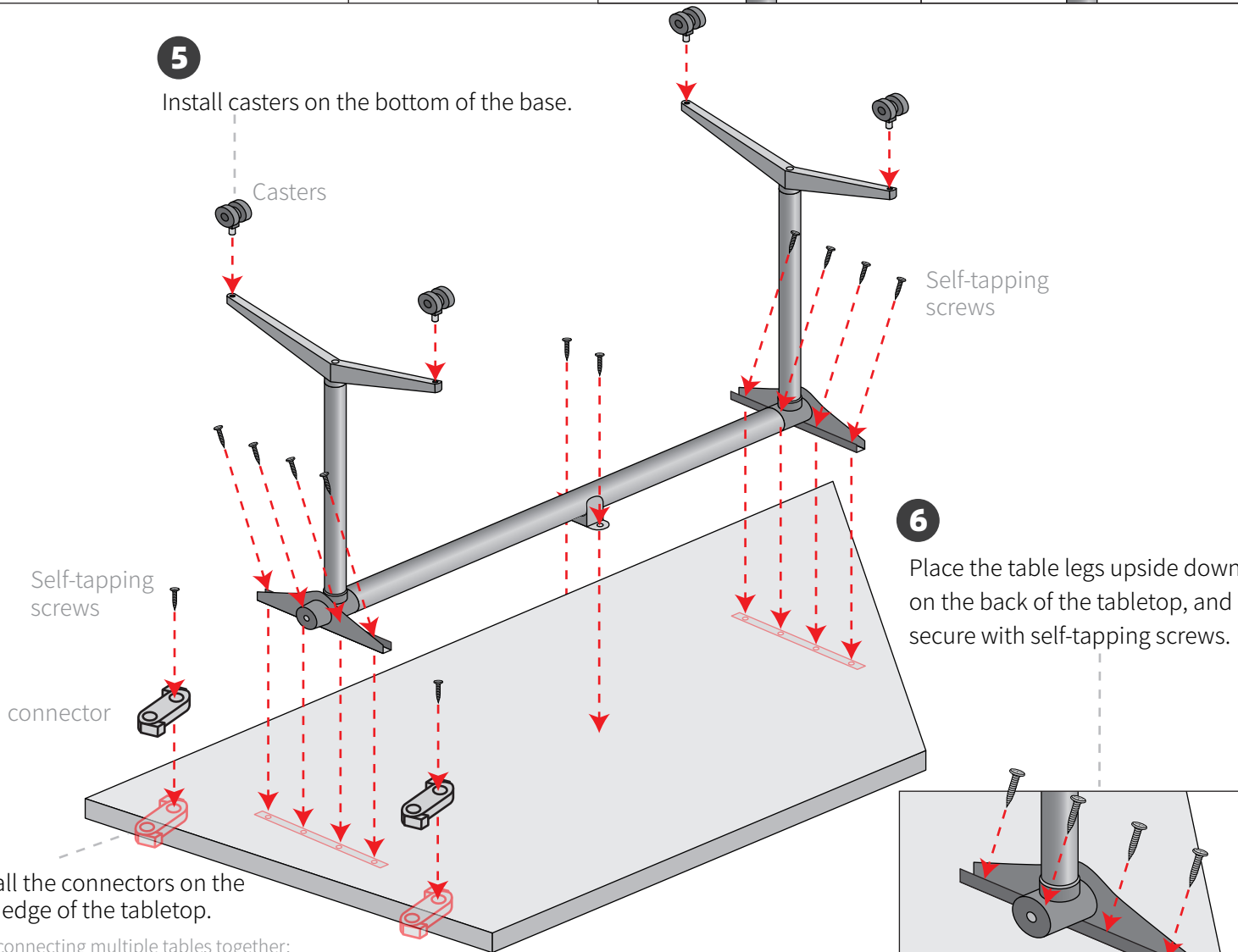
Install the two table legs at both ends of the connecting rod. Rotate the connecting piece to expose the screw holes, then secure with #2 screws.

(Test assembly result: Twist the knob. The connecting ends on both sides should rotate freely if installed correctly.)



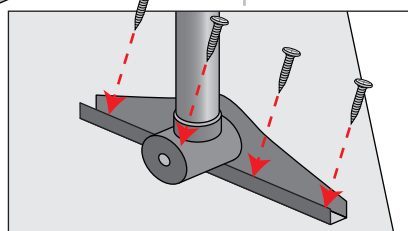
5

Install casters on the bottom of the base.



6

Place the table legs upside down on the back of the tabletop, and secure with self-tapping screws.



7

Install the connectors on the rear edge of the tabletop.

(For connecting multiple tables together; not required for single table setup.)