

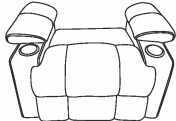
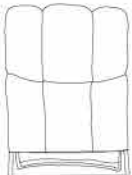








Assembly Instructions

CAUTION

DO NOT use any sharp objects to open plastic wrapped components as this may result damage to product or components .

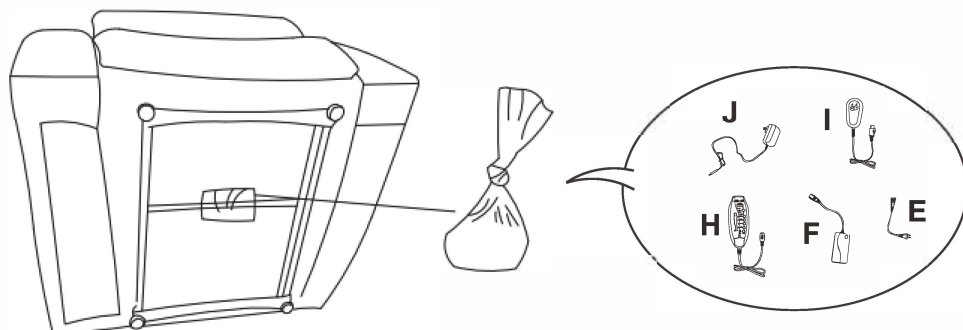
Your recliner comes packaged in **One** box. Carefully remove all the components from the packaging and set them aside for assembly.

Package Contents

BOX 1 004U					
	A*1	B*1	C*2	D*2	
					
E*1	F*1	G*1	H*1	I*1	J*1

Step 1

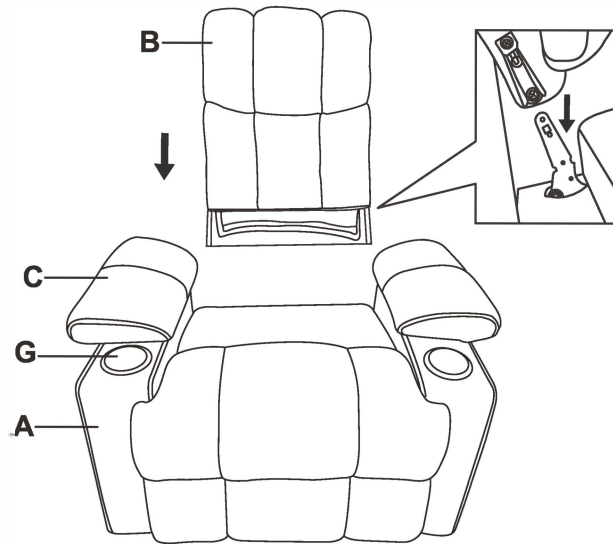
Remove the power adapter from the bottom of the seat frame(A).



1 RECLINER ASSEMBLY - BODY SETUP

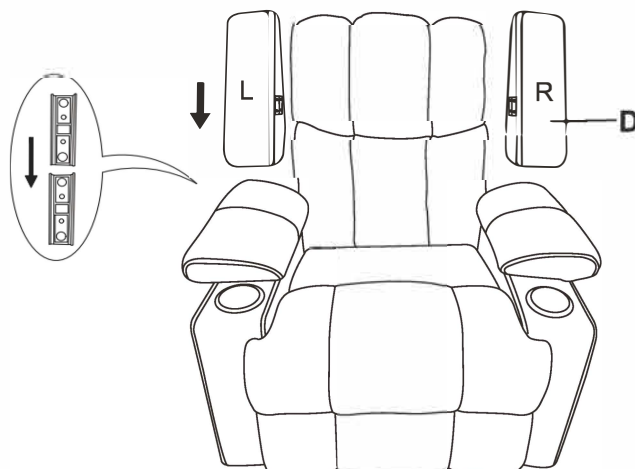
Step 2

Assemble the Chair Back (B) to its Seat Frame (A) by aligning the metal sliders, making sure it is securely installed before using.



Step 3

Then attach Ears (D) to Chair Back (B) by aligning the metal sliders, making sure it is securely installed before using.

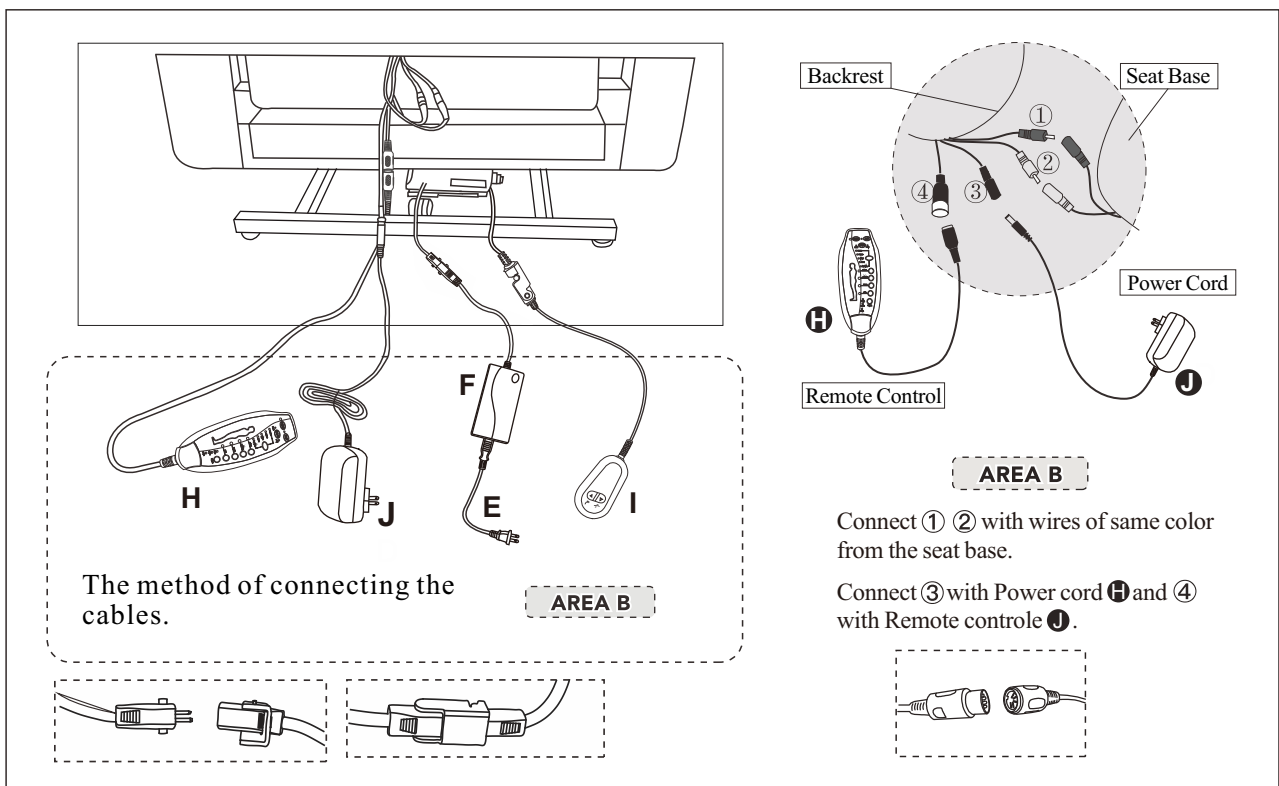
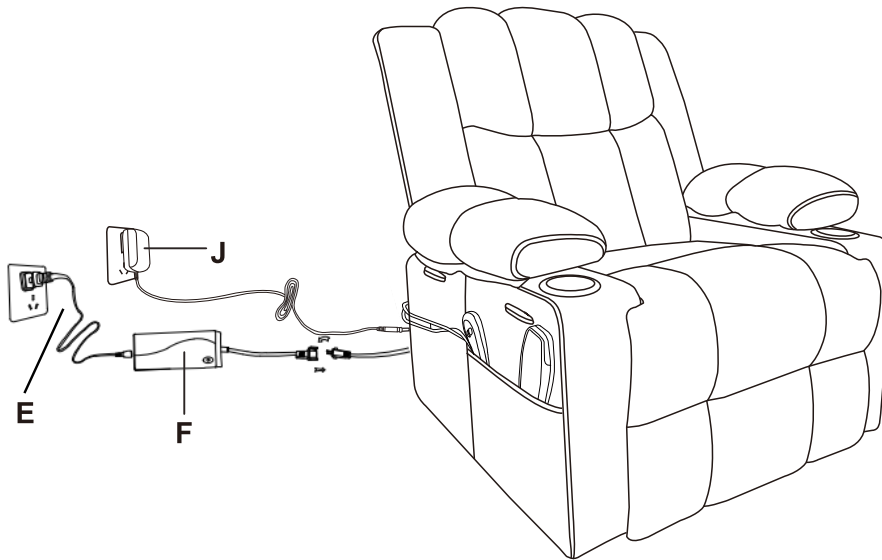


2 RECLINER ASSEMBLY - BODY SETUP

Step 4

No.1: Attach the power cord (E) to the power supply unit (F).

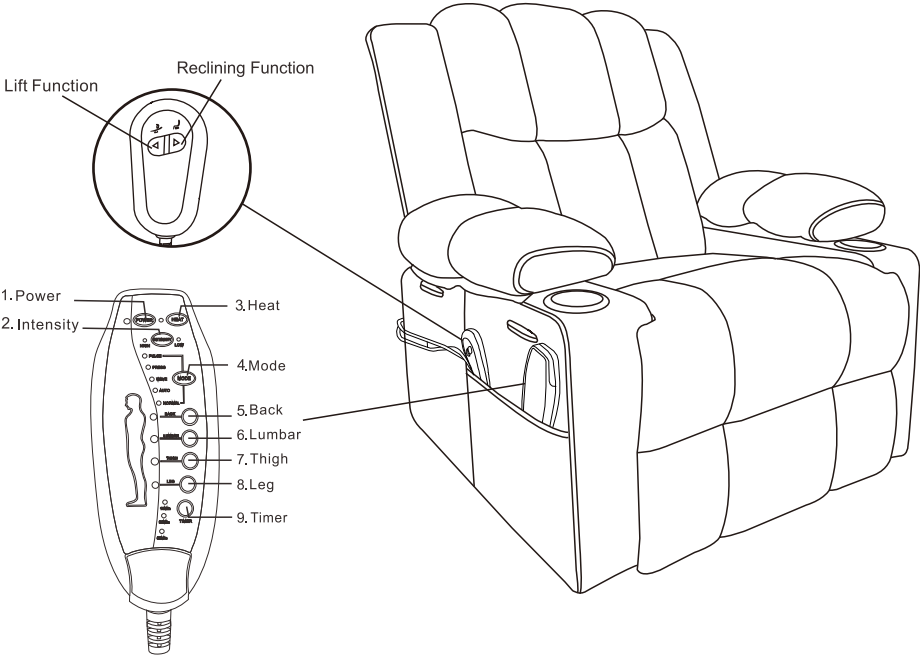
No.2: Connect the power supply unit to the the recliner's power port.



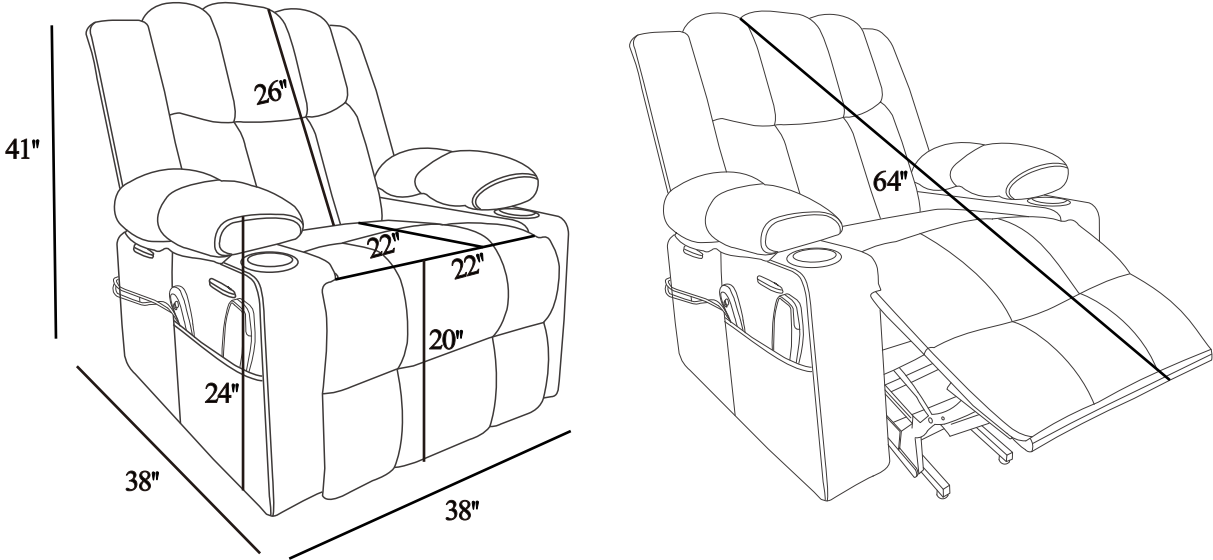
ASSEMBLY COMPLETED

Step 5

Switch on the power—your recliner is now ready to use!

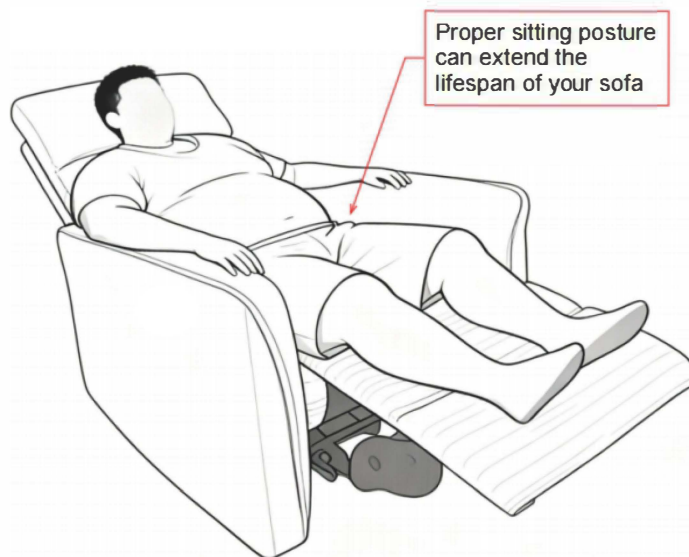
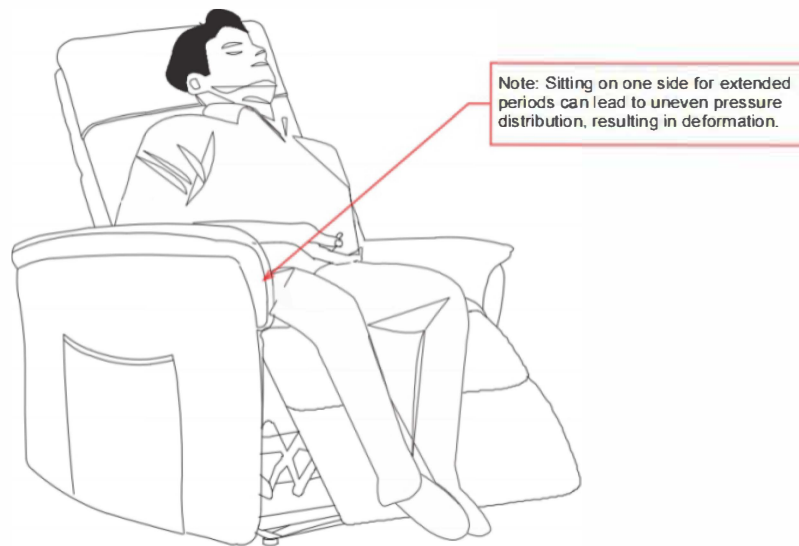


Recliner Product Dimensions



3 INSTRUCTIONS FOR USE

Recliner Usage Risk Warning



Recliner

⚠️ WARNINGS

1. Please check if the components of the chair are all included and can be used normally.
2. Assemble all components according to the instruction correctly before you connect the chair to the power.
3. Please **DO NOT** sit on the armrests or footrest to eliminate the risk of tipping over.
4. If the chair is damaged or doesn't match the website description, please send clear pictures of the product and label of the carton to our service team for further help.
5. If the recliner doesn't work, you may try the following measures for self-checking firstly:
 - a) check if all the cables are connected;
 - b) check if the light of transformer is on.

If the chair still doesn't work, please feed the information back to our customer service in time and we will help you solve the matter as soon as possible.

6. If you have any questions about our products, please contact us.

