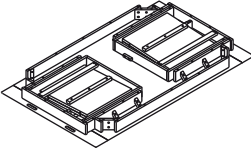
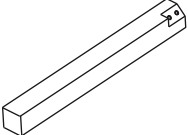






Assembly Instruction

NO	Parts List	Q'TY
A	 Table Top	1
B	 Leg	4

NO	Hardware List	Q'TY
1	 Hex Bolt 5/16"x2"	8 pcs
2	 Lock Washer 5/16"	8 pcs
3	 Flat Washer 5/16"	8 pcs
4	 Wrench 12.8mm	1 pc

STEP 1

