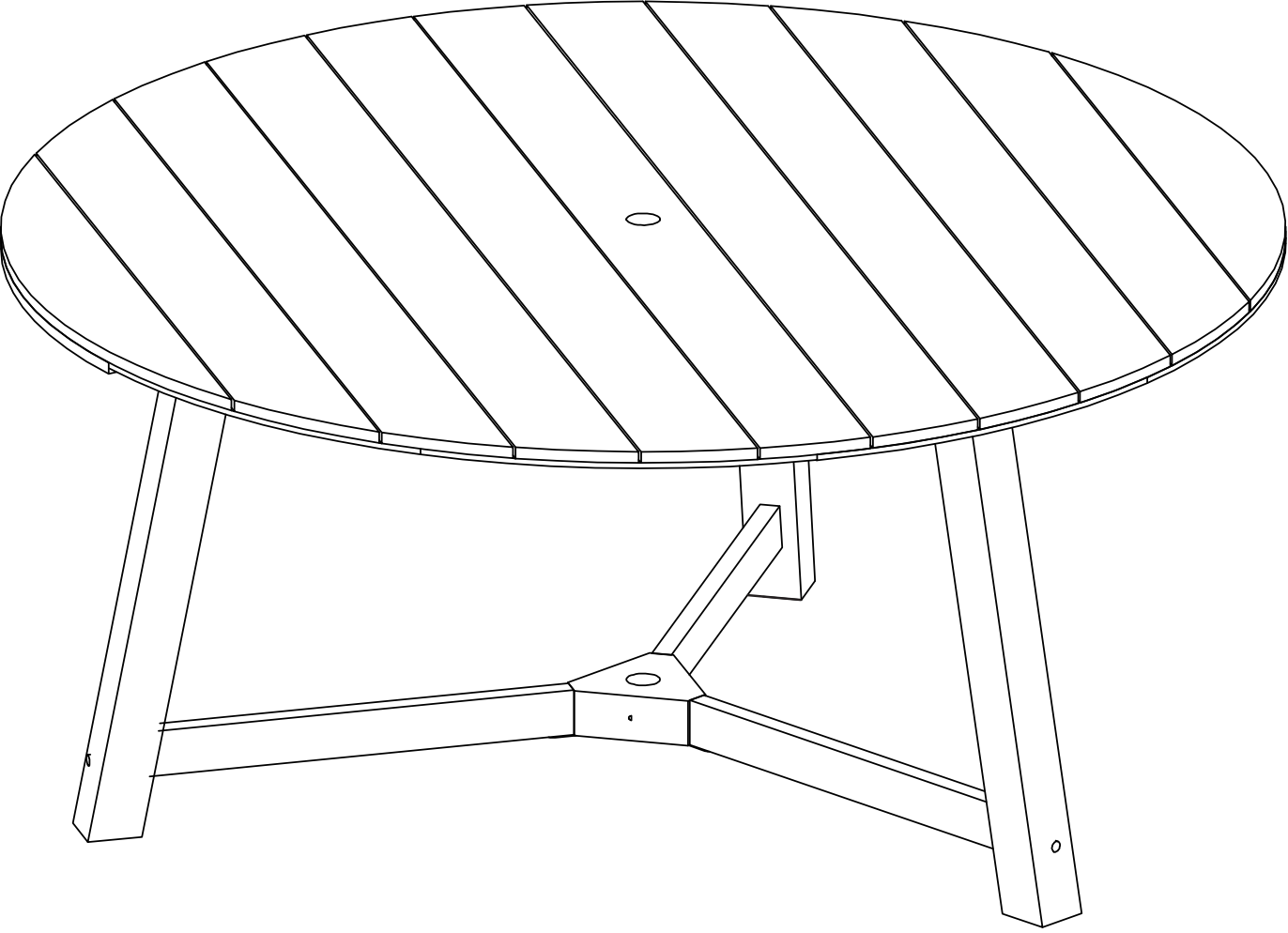


Instruction Manual

160cm Round Dining Table



CONTENTS

Safety and care advice	1
Components	2
Assembly instructions	4
Copyright	8

⚠ SAFETY AND CARE ADVICE ⚠

PLEASE READ THESE INSTRUCTIONS CAREFULLY AND KEEP FOR FUTURE REFERENCE

- **Warning:** Please lift with care.
- Check you have all the components and tools listed on pages 2 and 3.
- Remove all fittings from the plastic bags and separate them into their groups.
- Keep children and animals away from the work area, small parts could choke if swallowed.
- Make sure you have enough space to lay out the parts before starting.
- Do not stand or put weight on the product, this could cause damage.
- Assemble the item as close to its final position (in the same room) as possible.

- Assemble on a soft level surface to avoid damaging the unit or your floor (use opened out unit carton).



- We do not recommend the use of power drill/drivers **for inserting screws**, as this could damage the unit. Only use hand screwdrivers.
- Dispose of all packaging carefully and responsibly.

CARE AND MAINTENANCE

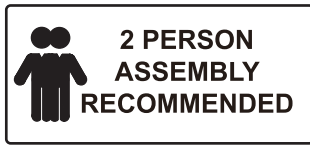
- Only clean using a damp cloth and mild detergent, do not use bleach or abrasive cleaners.
- From time to time check that there are no loose screws on this unit.

- This product should not be discarded with household waste. Take to your local authority waste disposal center.

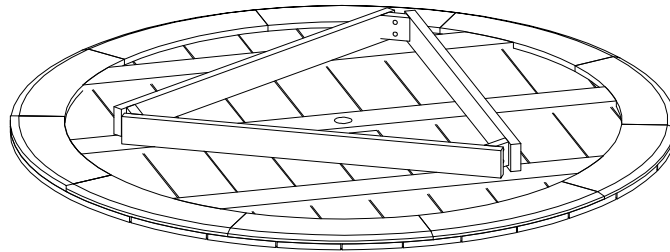
Note *If required the next page can be cut out and used as reference throughout the assembly. Keep this page with these instructions for future reference.*

COMPONENTS

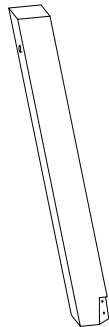
Please check you have all the panels listed below:



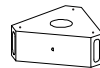
① X3



② X1



③ X3



④ X1

1. Stretcher	x 3	4. Block	x 1
2. Table Top	x 1		
3. Leg	x 3		

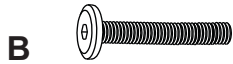


COMPONENTS

Please check you have all the fittings listed below:



Screw ($\Phi 7 \times 90 \text{mm}$) x 4



Bolt ($\Phi 6 \times 60 \text{mm}$) x 6



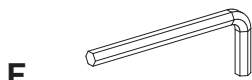
Washer ($\Phi 6 \times 16 \times 1 \text{mm}$) x 6



Screw ($\Phi 6 \times 20 \text{mm}$) x 6



Parasol Lid x 1



Allen key x 1



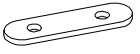


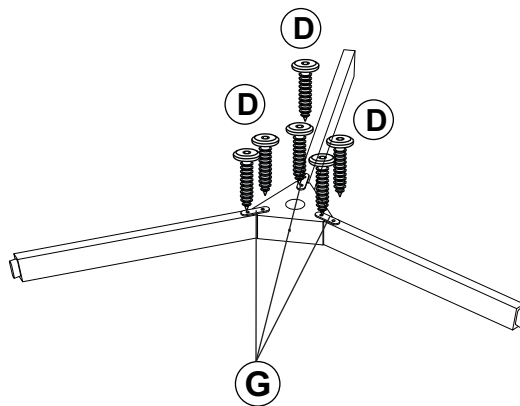
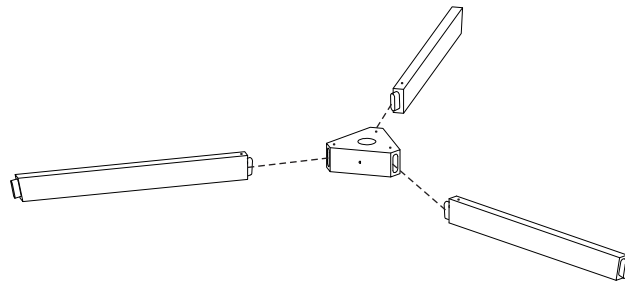
Stretcher Connection x 3



ASSEMBLY INSTRUCTIONS

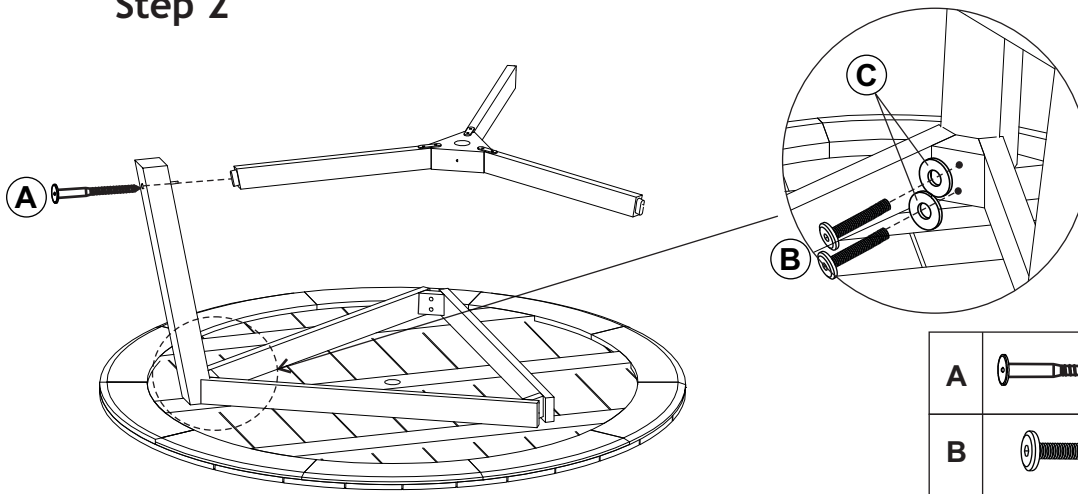
Step 1





D		6	
F		1	
G		3	






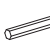
ASSEMBLY INSTRUCTIONS

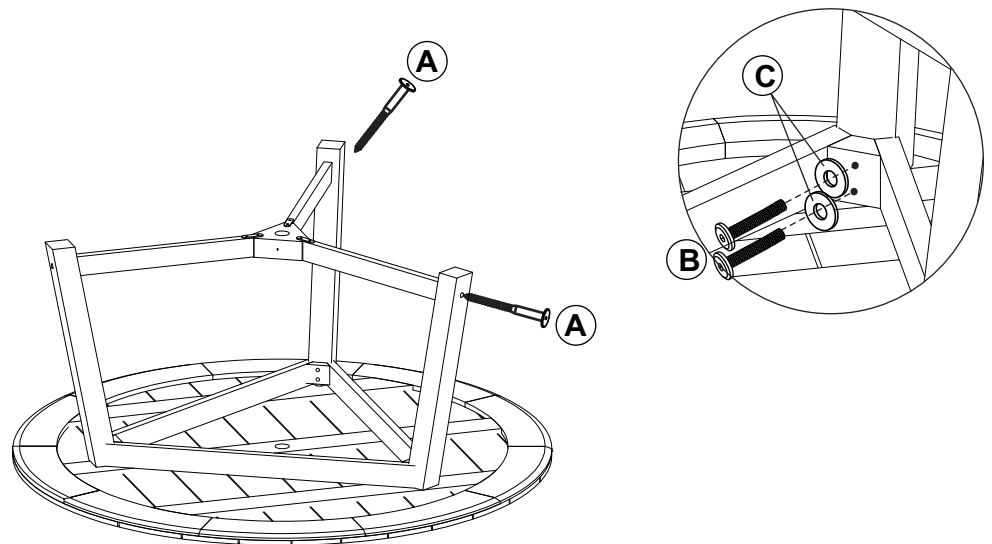
Step 2



A		1
B		2
C		2
F		1

Step 3

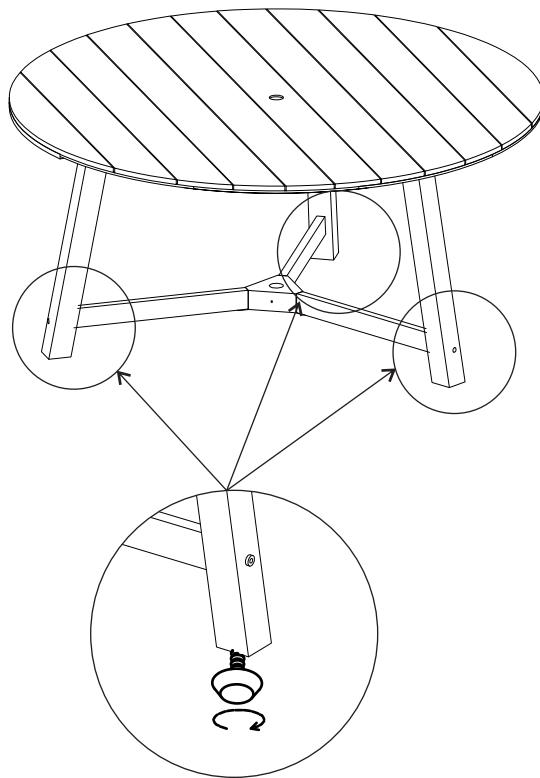
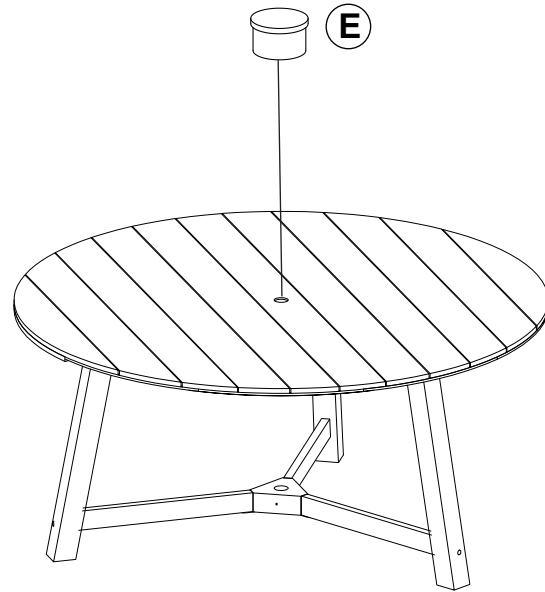
A		2
B		4
C		4
F		1



Congratulations! Now you have finished assembling the product.



ASSEMBLY INSTRUCTIONS

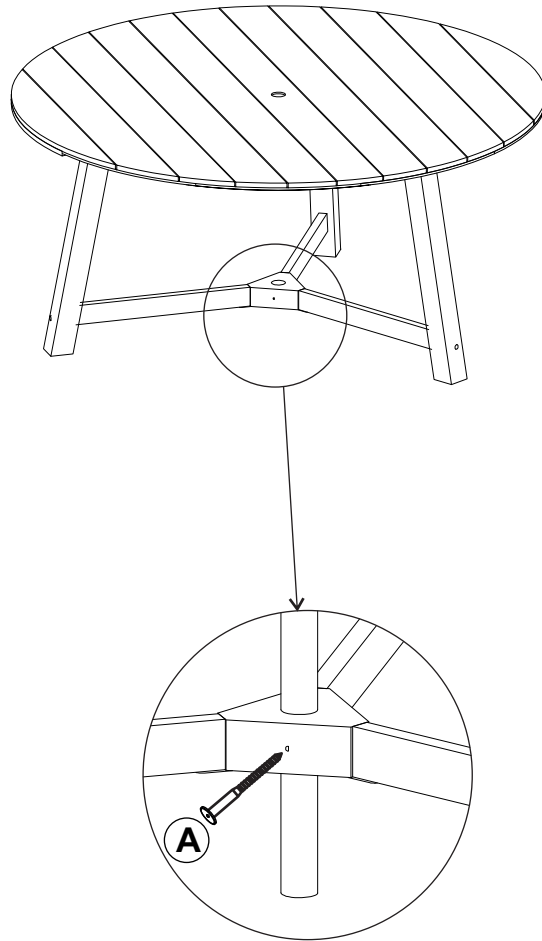
Step 4



ASSEMBLY INSTRUCTIONS

Step 5

A		1	
F		1	



Congratulations! Now you have finished assembling the product.

IF YOU FIND A DEFECTIVE PART

We fully stock all parts and components. Any defective part can be quickly replaced. Take note of the defective part number in manual and we will arrange a quick replacement.

COPYRIGHT

All material in this instruction manual is copyrighted
Any unauthorised use may violate worldwide copyright, trademark and other laws.