

For 33" x 22" x 10" Sink

TOPMOUNT STAINLESS STEEL KITCHEN SINK

Installation & Care Instructions & Cutout Template



PART LIST

- Cut-out Template
- Bottom Grid
- Cutting Board
- Colander
- Mounting Hardware
- Strainer
- Dish Drying Roll-Up Rack

BEFORE YOU START PRIOR TO INSTALLATION

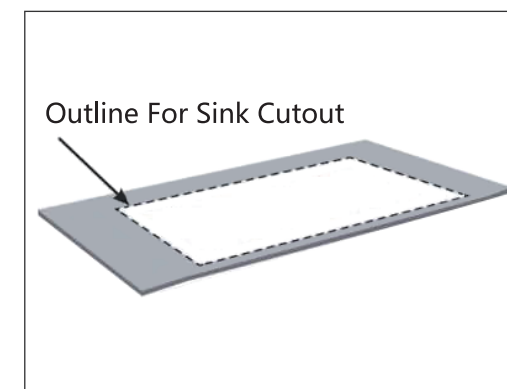
- We recommend that all topmount sinks be installed by an experienced, professional installer.
- **IMPORTANT:** The cabinet must be installed, secured, plumb, and level. Failure of this step can result in product damage.
- Our topmount sinks should only be fastened to a solid surface countertop.
- Make sure that you have all necessary parts by checking the part list.
- We are not responsible for sink or countertop if damaged during installation. Inspect the sink prior to installation to make sure that it has not been damaged.
- Metal edges may be sharp - Extreme care should be taken when handling.
- Follow all local plumbing and building codes.

RECOMMENDED TOOLS

- Tape Measure
- Safety Goggles
- Painters Tape
- Level
- Framing Square
- Pencil (not permanent marker)
- Scissors
- Drill
- Jigsaw
- Phillips Screwdriver
- Screwdriver
- Shims or Cabinet Fillers
- Denatured Alcohol
- Construction Adhesive
- Silicone Sealant

PREPARE THE COUNTERTOP

1. Position the cut-out template front to rear so the sink will not interfere with the cabinet; secure with tape.



Note: Make sure clearance is suitable for backsplash, faucet, and plumbing for the sink

2. Trace the template on countertop with a pencil. Dry fit the sink to verify the measurements.

3. Following the countertop manufacturer's instructions, carefully cut the countertop on the inside of the traced line.



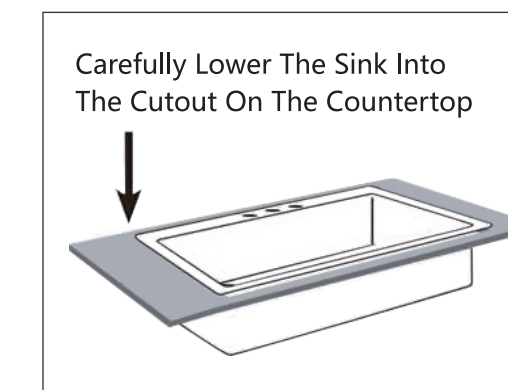
Note: Use the appropriate saw that best fits your countertop material.

IMPORTANT: The cabinet must be installed, secured, plumb, and level BEFORE installing the sink.

INSTALL THE COUNTERTOP

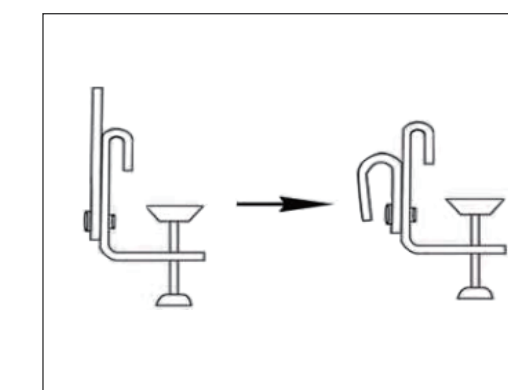
1. Clean the top of the countertop and the bottom flange (or lip) of the sink with denatured alcohol.

2. Apply a narrow bead of silicone adhesive sealant evenly all around the top edge of the countertop.



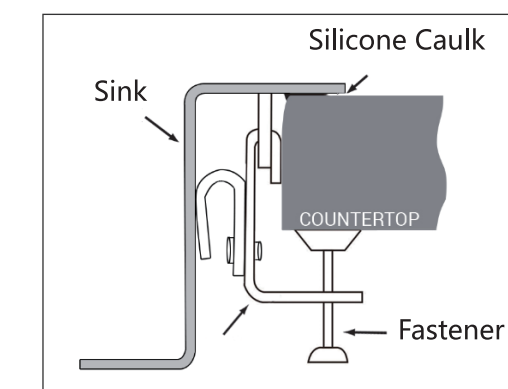
3. Position and align the sink over the countertop opening. Carefully lower the sink into the cutout in the countertop. Press silicone onto countertop.

4. Preassemble the mounting bracket and fastener. Bend left side of the mounting bracket over to the most (as shown in picture).



5. From the underside — place the mounting bracket in each hole, the fastener head is facing/supporting countertop underneath, and the bending part of mounting bracket is against the sink.

6. Tighten fasteners until mounting brackets are snug against sink. Check alignment of sink to the countertop opening.



7. Tighten down fasteners evenly. Be careful not to over-tighten.

8. Immediately remove excess sealant.

9. Immediately clean and dry the sink after installation.

SUGGESTED MAINTENANCE

- ▶ Rinse thoroughly after each use. Clean your sink on regular basis with warm soapy water. Rinse the sink after using cleaning products.
- ▶ Wipe the sink surface with a soft cloth after each use to prevent mineral deposits from building upon the surface of the sink. Water quality can affect the appearance of your sink. Towel drying and weekly cleaning will prevent discoloration or unsightly film from developing on the finish.
- ▶ Always use our sink bottom grid to protect your sink's finish. Clean the sink once a week. Be sure to clean in the direction of the satin finish lines, using a cleanser we recommended.
- ▶ For a gleaming finish: Polish your stainless steel sink by applying dry flour to the surface. Rub the flour in with a soft cloth, then rinse and dry or place the stopper in your sink, pour some club soda in and rub with a soft cloth. Dry with a different soft cloth to prevent water spots and surface rust.
- ▶ Do not cut food directly on the surface of the sink. Do not leave sharp objects on the surface of the sink for an extended period of time. Do not use abrasive cleaning products, sanding tools, steel wool, or bleaching products.

Note: ANY stainless steel sink can show rust if steel wool pads are used on it. Steel wool or metal scouring pads should never be used to clean your sink as they will leave a residue of small iron particles. They may not be readily visible, but they will lead to rusting and corrosion of the sink. If it happens, you can scrub the rusty spot properly by a nylon scrubber.

CAUTION

- ▶ Don't rub the sink across the satin finish lines. Scouring across the satin finish lines can damage the original sink finish.
- ▶ Don't allow soap or other household cleansers to dry on the surface of the sink. Most brands contain chemical additives which will affect the original finish.
- ▶ Don't use solutions of chlorine bleach and water in the sink. Chlorides, which are found in most soaps, detergents, bleaches, and cleansers, are very aggressive to stainless steel. If left on the sink too long, they can cause surface pitting.
- ▶ Don't leave wet sponges, cloths, or cleaning pads on the sink. This can lead to surface rust.
- ▶ Don't use a steel wool pad to clean your sink. If a more abrasive product is needed, use a green Scotch-Brite™ pad, being sure to rub in the direction of the satin finish lines. Steel wool pads have a tendency to break apart and small particles of steel can become embedded in the surface of the sink. The steel particles will rust and will give the appearance that the sink itself is rusting.

▶ Don't use rubber mats or dishpans in the sink. Leaving rubber mats or dishpans in the sink can lead to surface rust or possible pitting. However, if you insist on using mats or dishpans, please remove them after each use and rinse thoroughly.

LIMITED WARRANTY

Our product has been manufactured and tested to the highest quality standards. We offer our customers thoughtfully crafted fixtures & accessories, engineered for enduring performance over years of use.

WHO IS COVERED BY THE WARRANTY

This warranty extends to the original purchaser only. This warranty is not transferable, between homes or owners and is only applicable to residential use.

WHAT IS COVERED BY THE WARRANTY

We warrant this product against defects due to material or craftsmanship error during the warranty period. We will provide replacement parts at no charge, or at customers' option, replace any product or part of the product that is deemed defective, under normal installation, use, service and maintenance. If we are unable to provide a replacement and repair is not practical or cannot be made in timely fashion, we may refund the purchase price in exchange for the return of the product.

RESTRICTIONS

Like other home fixtures, our products will require light maintenance to ensure proper function. We provide you with complete knowledge to perform this maintenance and can also recommend resources if you are unable to fulfill this service. Please read your care and maintenance documentation to determine the limits of proper use.

The original sales receipt, order number, and/or proof of purchase must be presented at the time of the warranty claim, without exception, for this warranty to be applied to all our products.

- ▶ This warranty does not cover antediluvian, discontinued, or display products, whether such items are purchased at discount outlets, unauthorized dealers, and/or sold on clearance.
- ▶ This warranty does not cover instances of negligence, misuse, abuse, improper installation, carelessness, accident, hard water or mineral deposits, exposure to corrosive materials, misapplication, damages caused by improper maintenance, alteration of the product, or failure to follow care or installation instructions enclosed with your product. Avoid using abrasive cleaners such as powders, bleach, ammonia, alcohol, or chlorine. Avoid using abrasive pads, steel wool, or wire brushes, as these will damage and wear down the finish.

▶ This warranty does not apply to Products that have not been installed or operated in accordance with instructions supplied by us and all applicable rules, regulations, and legislation pertaining to such installations.

▶ This warranty does not apply unless our product is installed by a fully insured and licensed trade professional. We insist that such professionals have experience in the installation of bathroom and kitchen manufactured goods.

▶ This warranty does not cover labor charges or costs of removal and reinstallation of said product. This warranty does not allow recovery of incidental or consequential damages, such as loss of use, delay, property damage, or other consequential damages, and we accept no liability for such damages.

▶ Due to the nature of drain usage, there is no finish warranty on any drain product (including pop-up drains, lavatory drains, and kitchen drains).

▶ This warranty does not cover Marine or Outdoor Installation.

▶ Except as otherwise provided above, we make no warranties, expressed or implied, including warranties of merchantability and fitness for a particular purpose, or compliance with any code.

▶ Shipping charges will be covered for the first (1) year of the warranted replacement part or product (HI, AK, and Puerto Rico shipping charges may apply). International shipping fees are not included.

COMMERCIAL WARRANTY

We extend the above warranty for a period of one (1) year to purchasers of products for industrial, commercial, and business use.

OTHER WARRANTY

By the purchase and use of our products, you agree that we are not liable for incidental, consequential or special damages associated with the return, replacement, installation or use of your product. This includes freight costs, cartridge replacement, labor, travel time, lost profit, home damages and other contingent liabilities and costs (including, without limitation, costs associated with experts, investigations, analyses, attorneys and other professionals and services).

Some states do not allow the exclusion or limitation of incidental or consequential damages or limitations on how long an implied warranty lasts, so the above limitations or exclusions may not apply to you. This warranty gives you specific legal rights, and you may also have other rights which vary from state to state. This warranty extends to the original purchaser and first consumer.

533.8mm [21"]

813.2mm [32"]

Opening Size: 32"L x 21"W