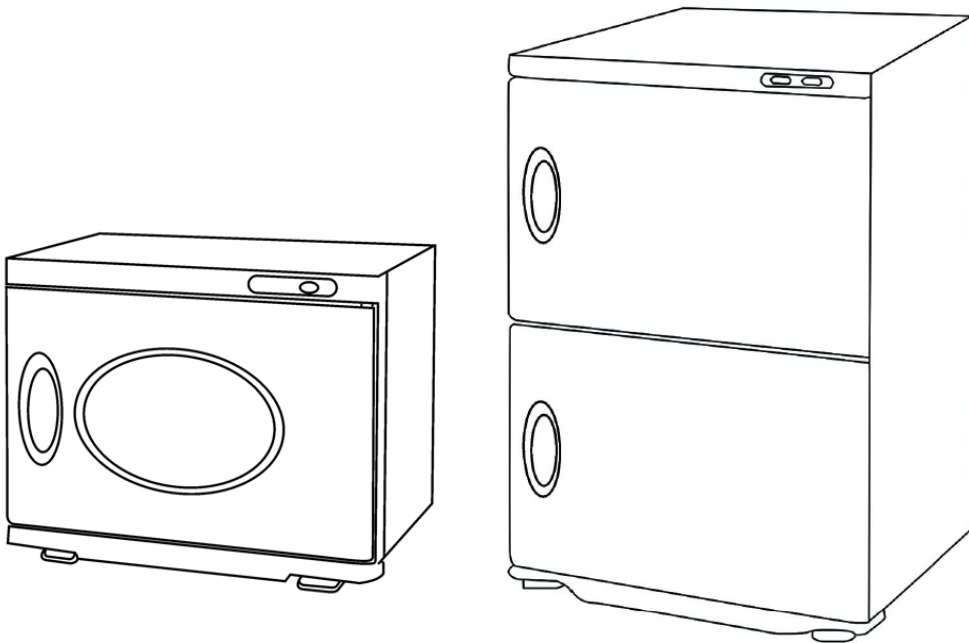




## UV TOWEL WARMER MANUAL

ITEM: MSI-TWAPP-141 & MSI-TWAPP-142D



**Thank you for purchasing our Dermalogic UV Towel Warmer. To use this product safely and correctly, please read this manual carefully and abide by all directions and notes.**



## Operating Instructions

---

- Place the towel warmer on a flat, stable, and well-ventilated surface in a cool location with minimal movement. Keep it away from water sources.
- Always use a grounded electrical outlet to reduce the risk of electric shock.
- Ensure the power switch is in the “OFF” position before plugging the unit into the socket.
- Pre-moisten towels before placing them into the unit. Towels should be damp, not dripping.
- Remove the rack from the warmer. Neatly fold or roll the damp towels and place them evenly on the rack. Avoid overloading to prevent direct contact with the heating element.
- Firmly close the door and switch the power to “ON.” The red indicator light will illuminate, signaling that the unit and the UV light are operating.
- For double-door models:
  - The right button controls the upper cabinet’s temperature and UV light.
  - The left button controls the lower cabinet’s temperature and UV light.
- The unit is equipped with an automatic shut-off function. Once the maximum temperature is reached, the power will turn off automatically and restart once the temperature drops.

## Safety Precautions

---

- Towels may become very hot. Use tongs or heat-resistant gloves when removing them.
- Do not open the unit until it reaches the desired temperature.
- Always turn off the power when the unit is not in use or when cleaning.
- After each use, check the drip tray located at the bottom of the unit and empty any accumulated water.
- Keep the unit out of reach of children.

## Maintenance

---

- 1) Turn off the power and unplug the unit.
- 2) Allow the unit to cool before removing towels.
- 3) Empty the drip tray.
- 4) Wipe the interior with dry cloth. For tougher stains, use a soft cloth with a mild, neutral detergent. **Do not use solvents**, such as polish thinner or abrasive cleaners.
- 5) Remove and rinse the rack with water as needed.
- 6) Leave the door open after cleaning to allow ventilation and air drying.

## Specifications

---

Model NO.	Capacity	Wattage	Voltage	Frequency	Temperature	Dimension
MSI-141	18L	200W	110V	60Hz	150°F - 186°F	18” x 14” x 11”
MSI-142D	66L	400W	110V	60Hz	159°F - 195°F	17.5” x 17” x 25.5”