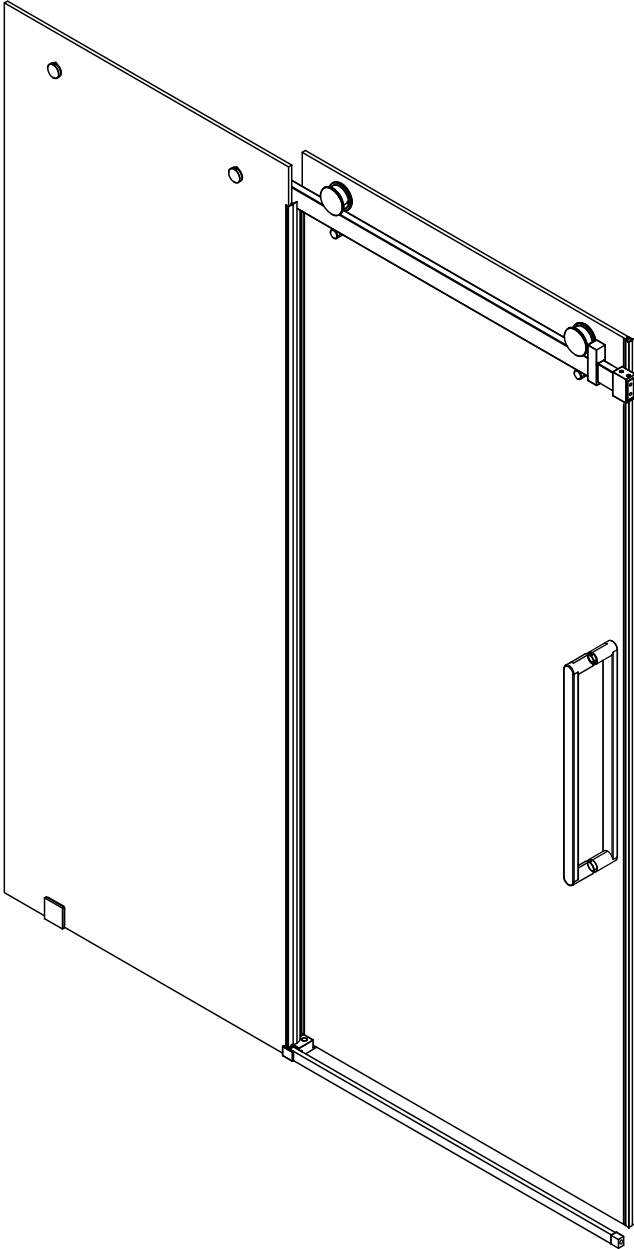


SLIDING SHOWER DOOR
INSTALLATION INSTRUCTION

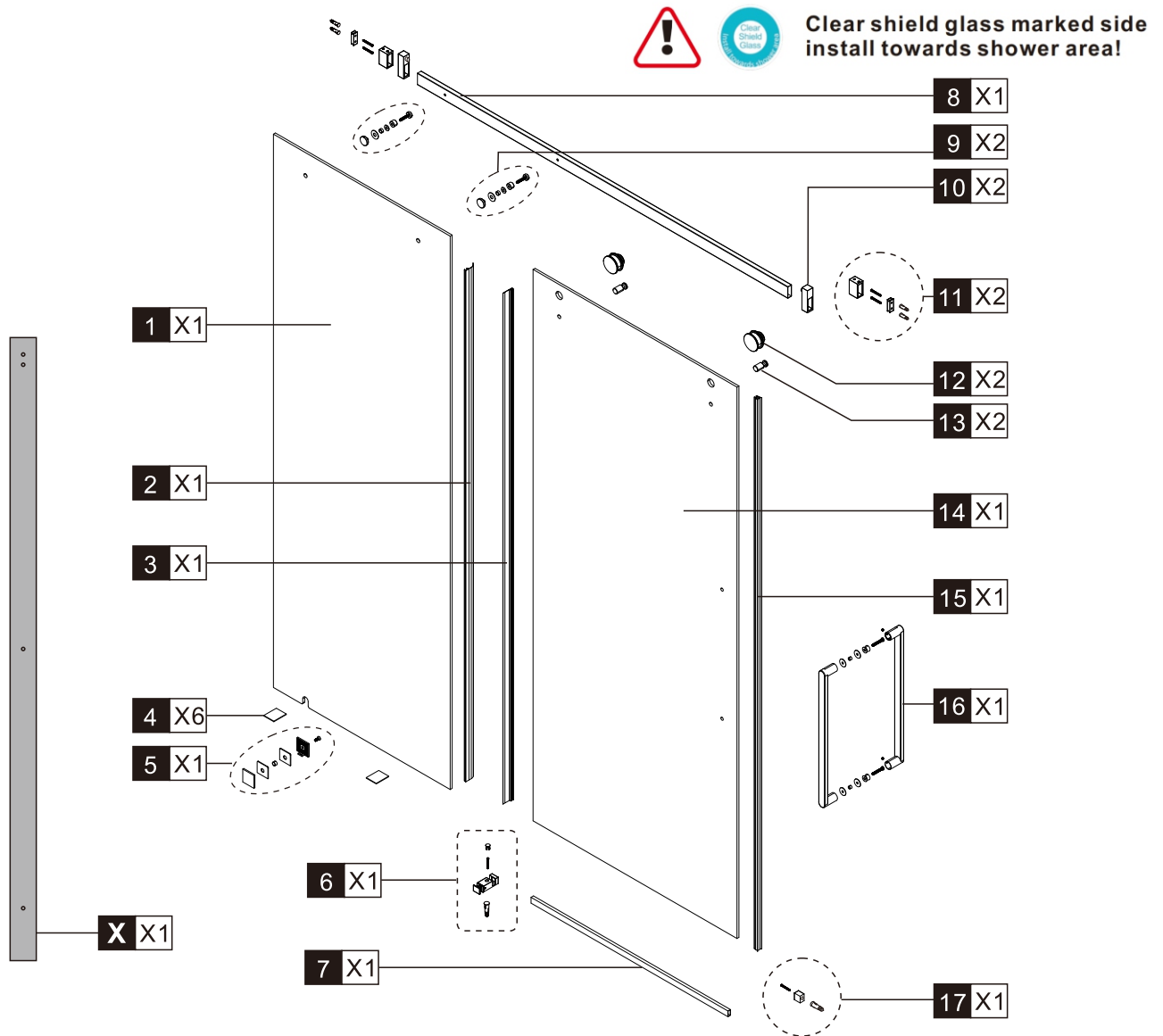
HOROW®



Scan to get install video



PARTS LIST

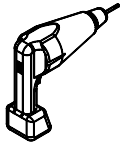


NO.	Product name	Qty
1	Fixed panel	1
2	Curved seal stripe	1
3	Straight seal stripe	1
4	Washer	6
5	Floor clamp	1
6	Center guider	1
7	Door bottom profile	1
8	Top rail	1
9	Glass connector	2

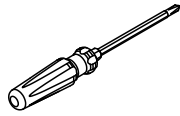
NO.	Product name	Qty
10	Stopper	2
11	Wall bracket	2
12	Roller	2
13	Lock in knob sets	2
14	Door glass	1
15	Bubble seal	1
16	Handle	1
17	End connector	1

X	Installation template	1
----------	-----------------------	---

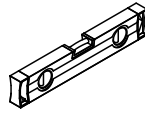
TOOLS AND MATERIALS REQUIRED



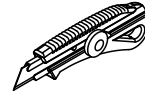
DRILL



SCREWDRIVER



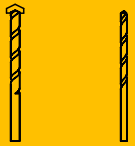
LEVEL



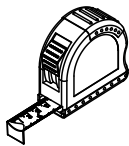
PRECISION KNIFE



SILICONE



Ø 1/4" Ø 5/16"
DRILL BIT



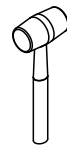
MEASURING TAPE



SET SQUARE

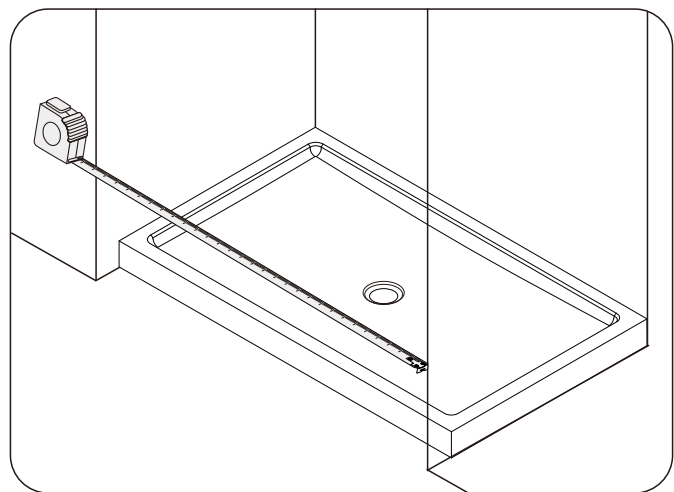
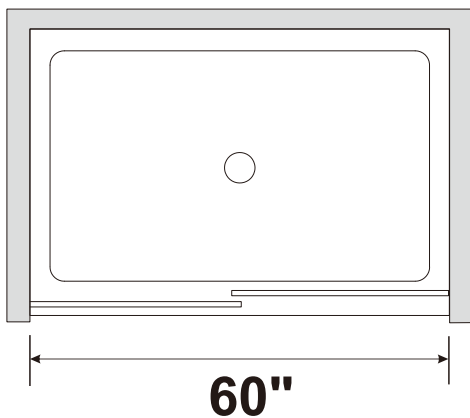


PENCIL



RUBBER HAMMER

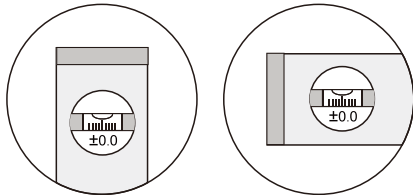
PREPARATION FOR INSTALL



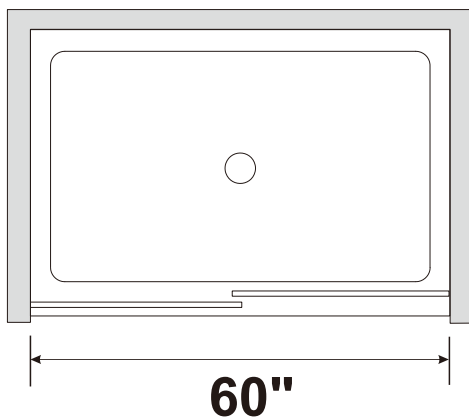
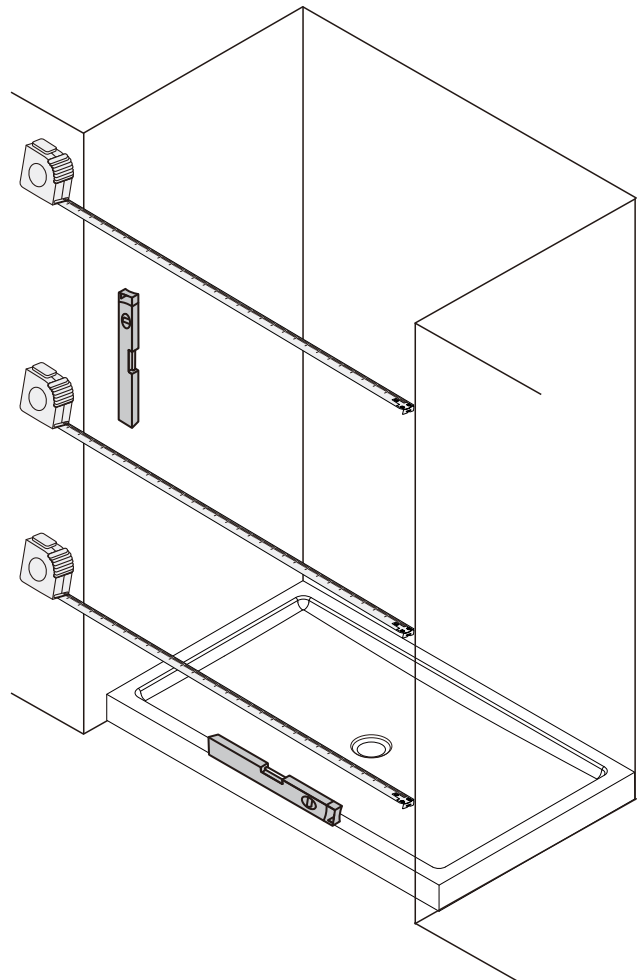
UNPACK THE SHOWER DOOR AND TAKE PHOTOS

1. Open the package and check if the glass is broken, shattered, etc.
2. Please check the hardware carefully for scratches, missing pieces, etc.
3. Any problems with the product, please take a photos and send to support@horow.com, we will be happy to solve it for you!

SITE MEASUREMENT



Wall must be plumb
Threshold must be level



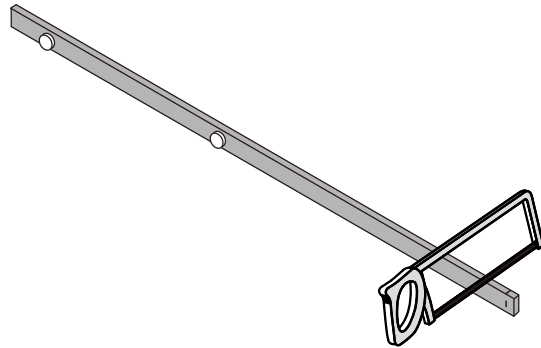
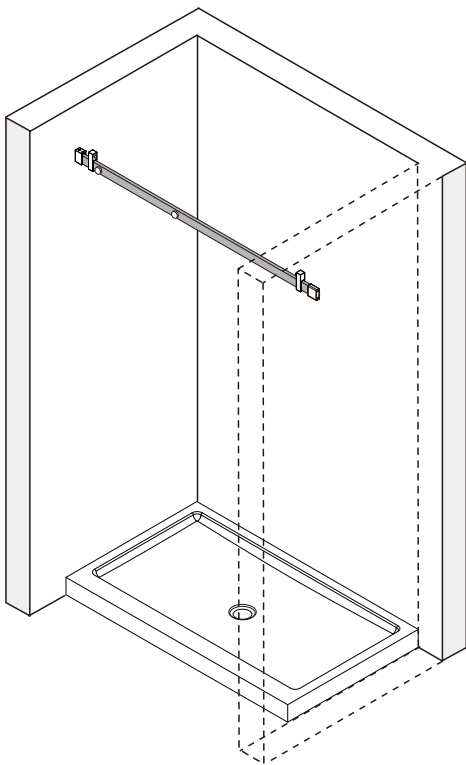
Our product recommended to install size between 56"~60", if the size for your shower area is less than 60", please refer to the following formula to cut the top/bottom rail.

TOP/BOTTOM RAIL CUTTING

Top rail cut formula _____

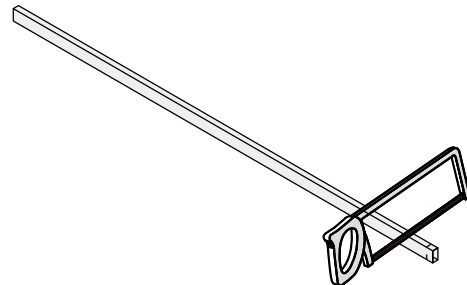


Note: when cutting top rail, cut off from the end without the holes/two glass connectors.



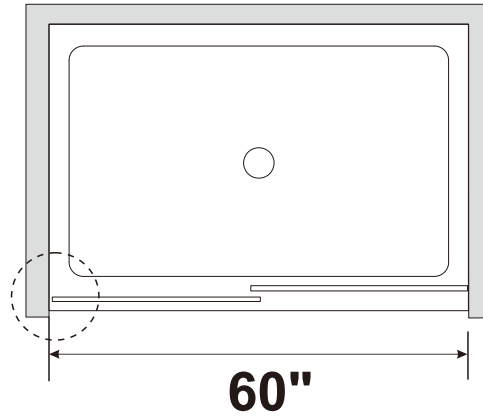
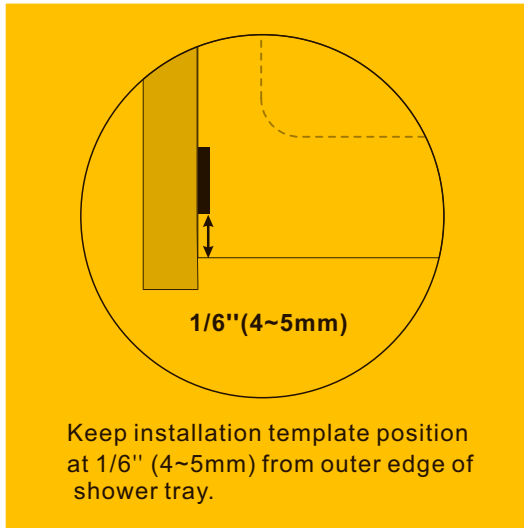
Finished opening (width)	56"	57"	58"	59"	60"
Cut off length	4"	3"	2"	1"	/

Bottom rail cut formula _____

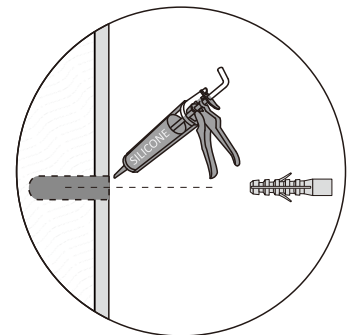
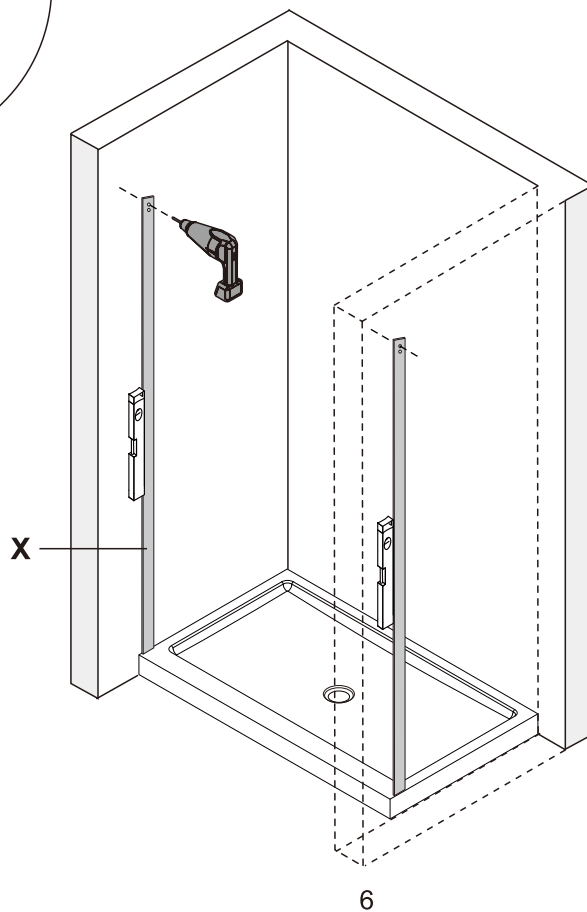
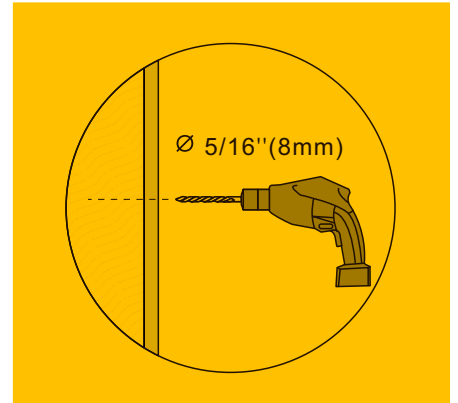
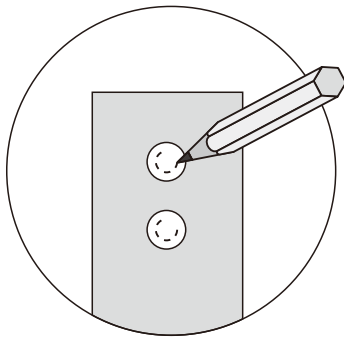


Following installation steps, when necessary, cut the door bottom profile length according to installer's recommendation.

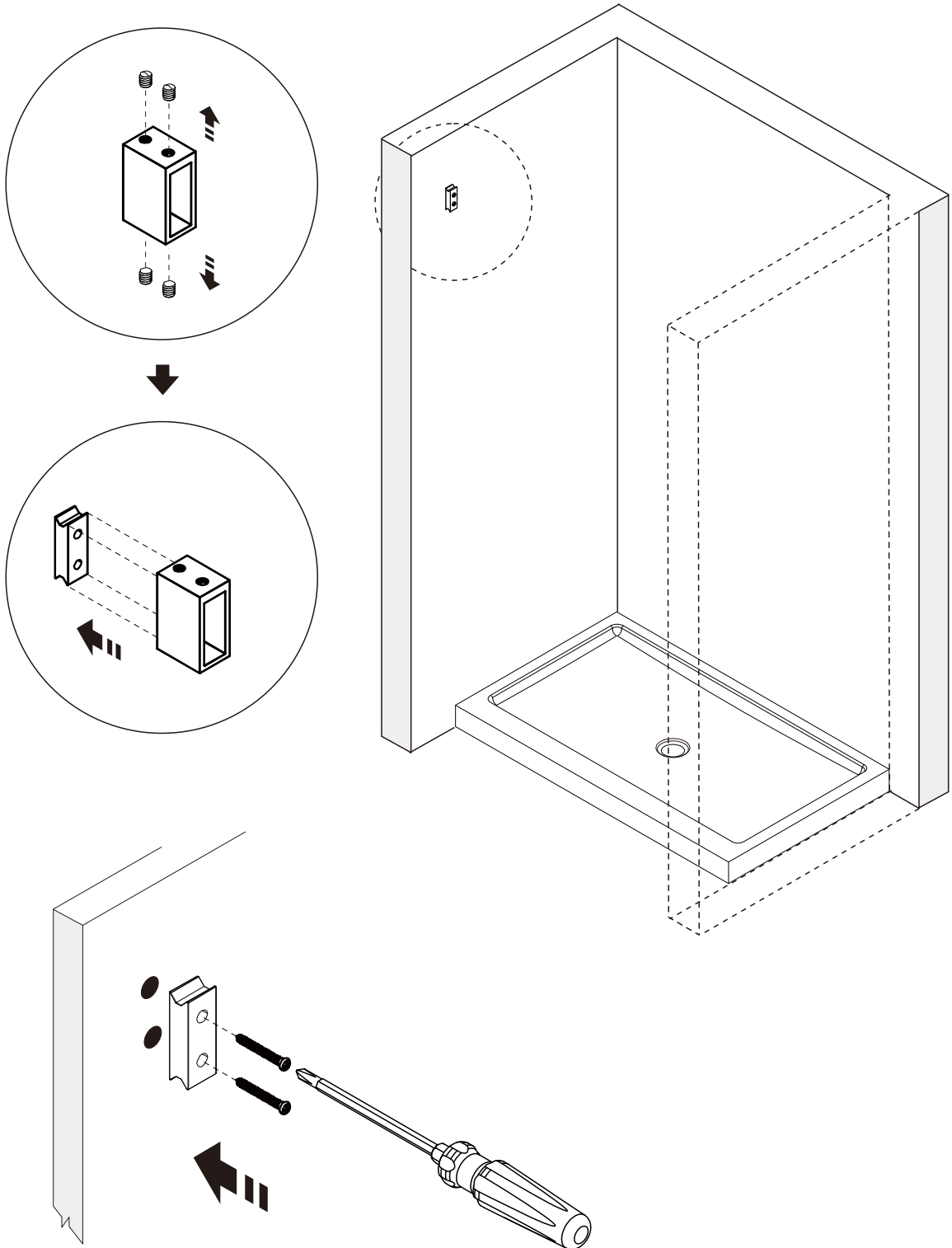
POSITIONING WALL PROFILE



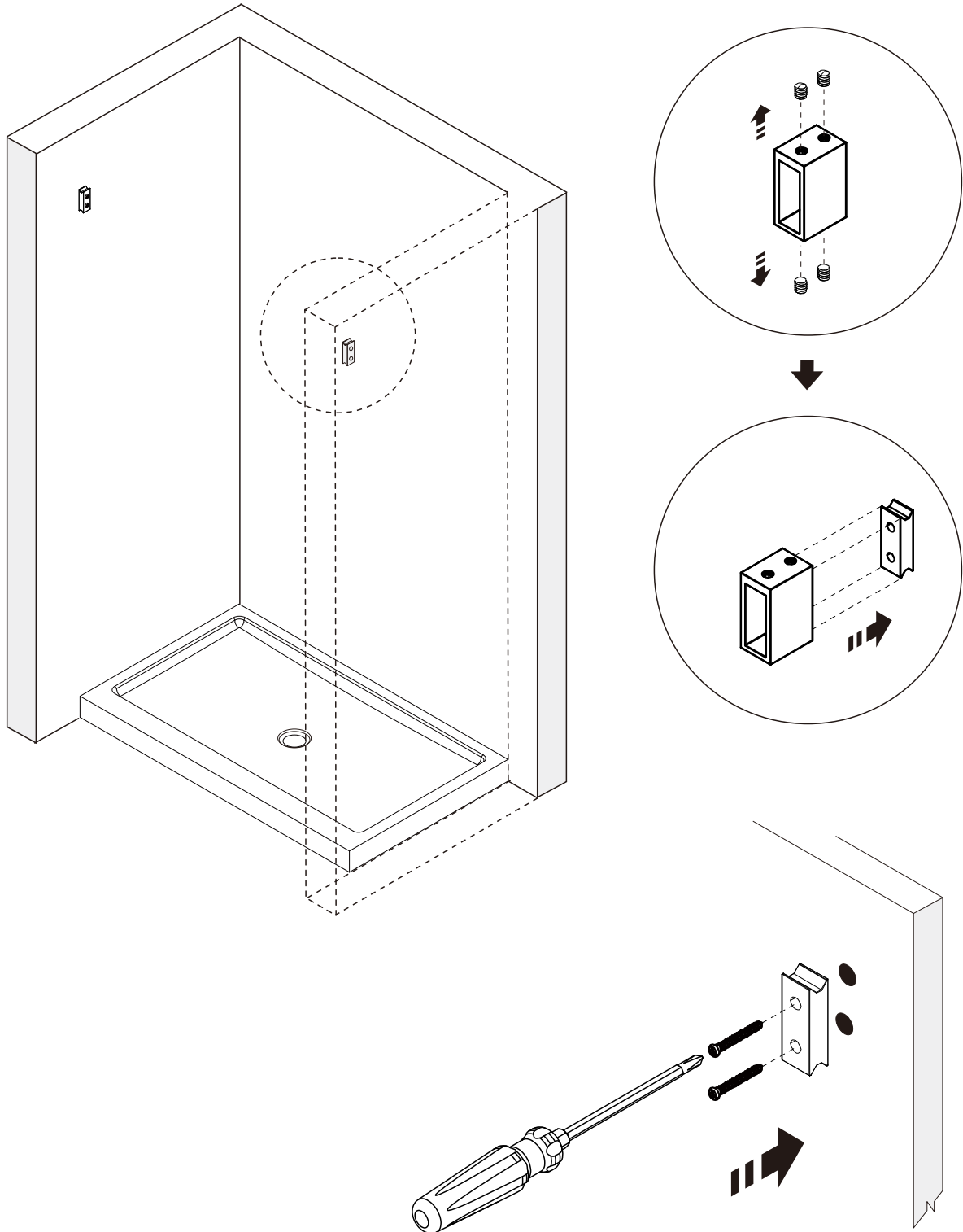
WALL CHANNEL INSTALLATION



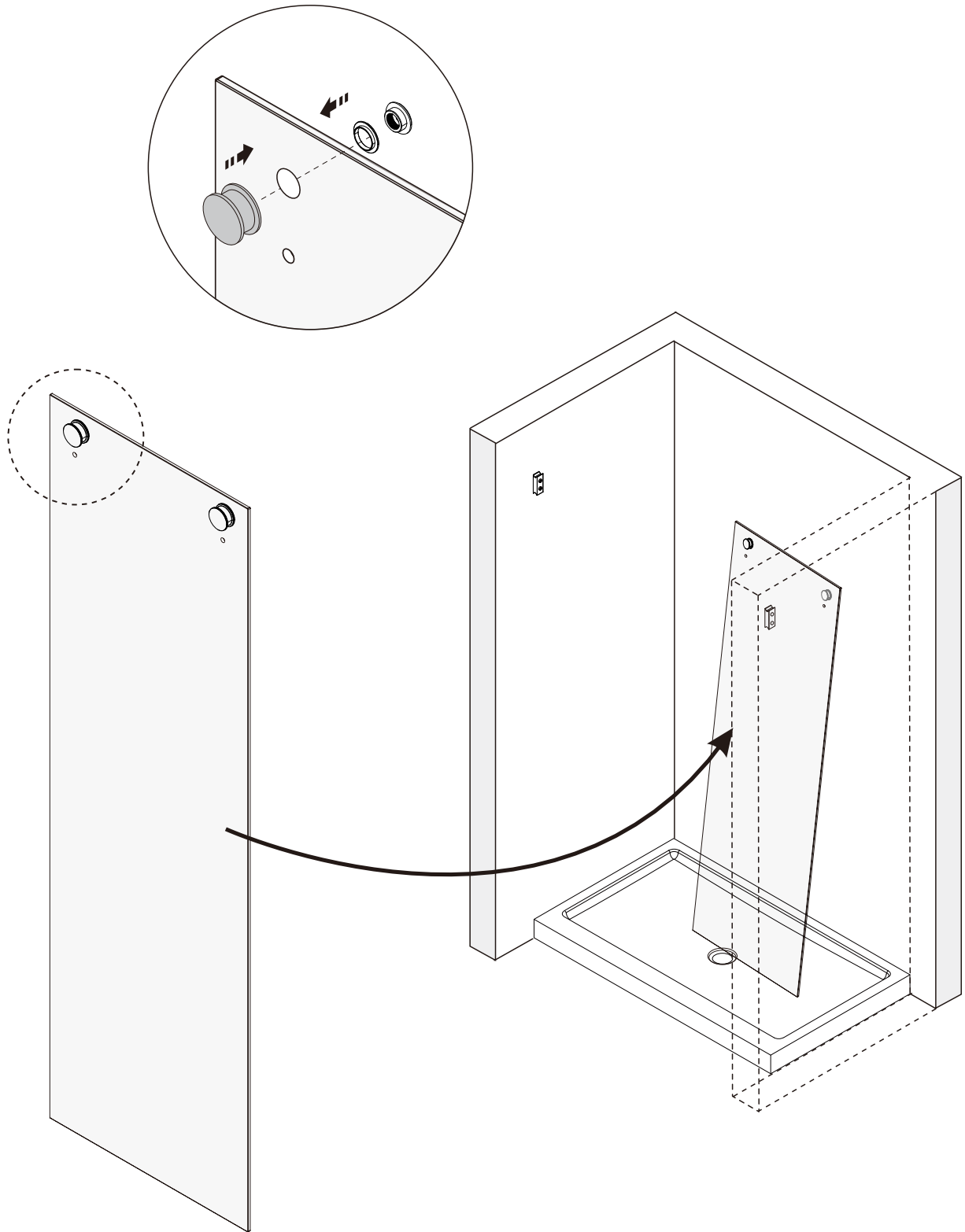
TOP RAIL WALL BRACKET INSTALLATION



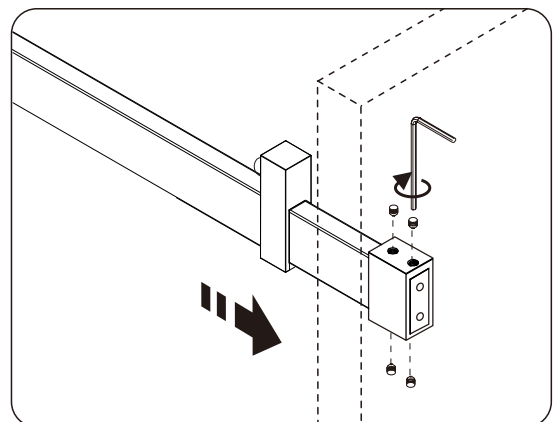
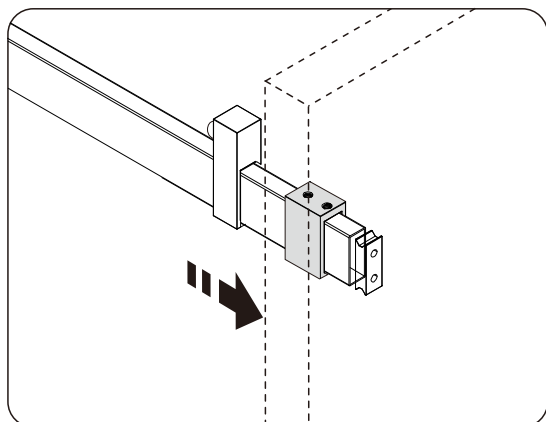
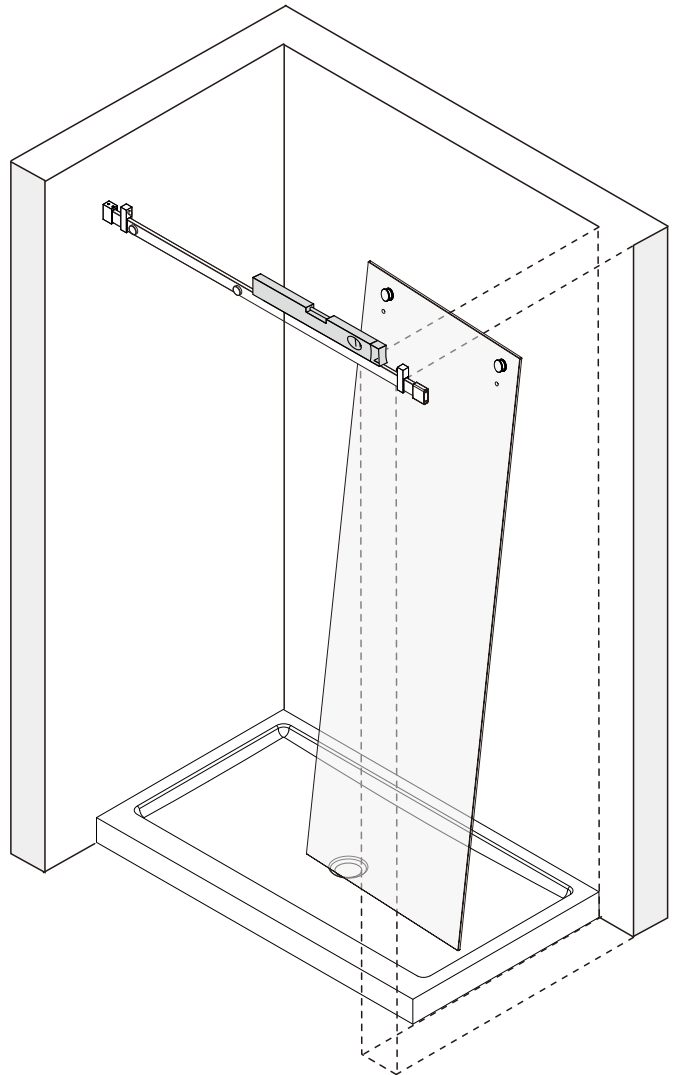
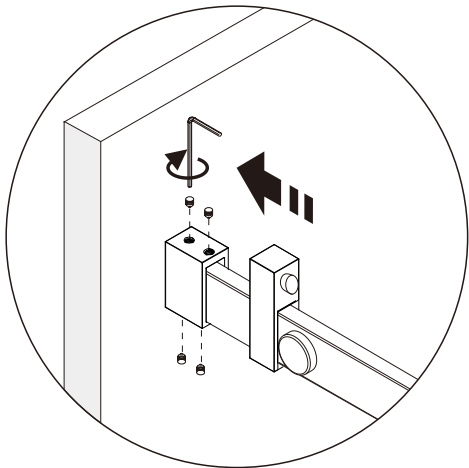
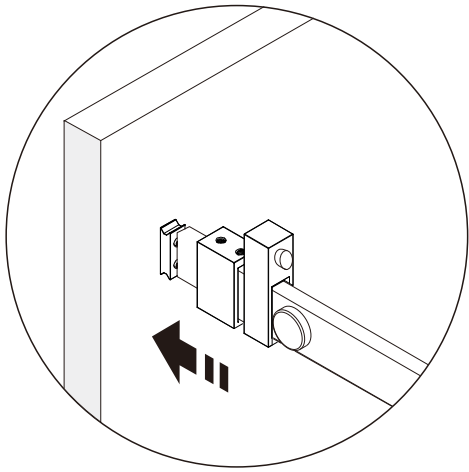
TOP RAIL WALL BRACKET INSTALLATION



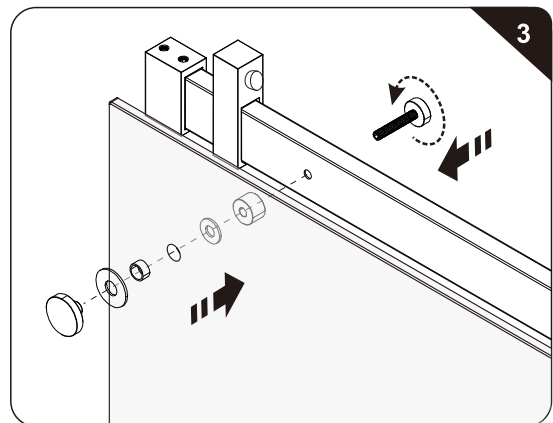
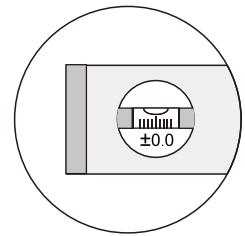
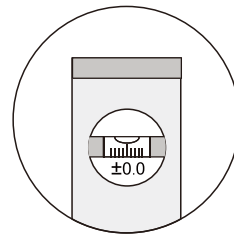
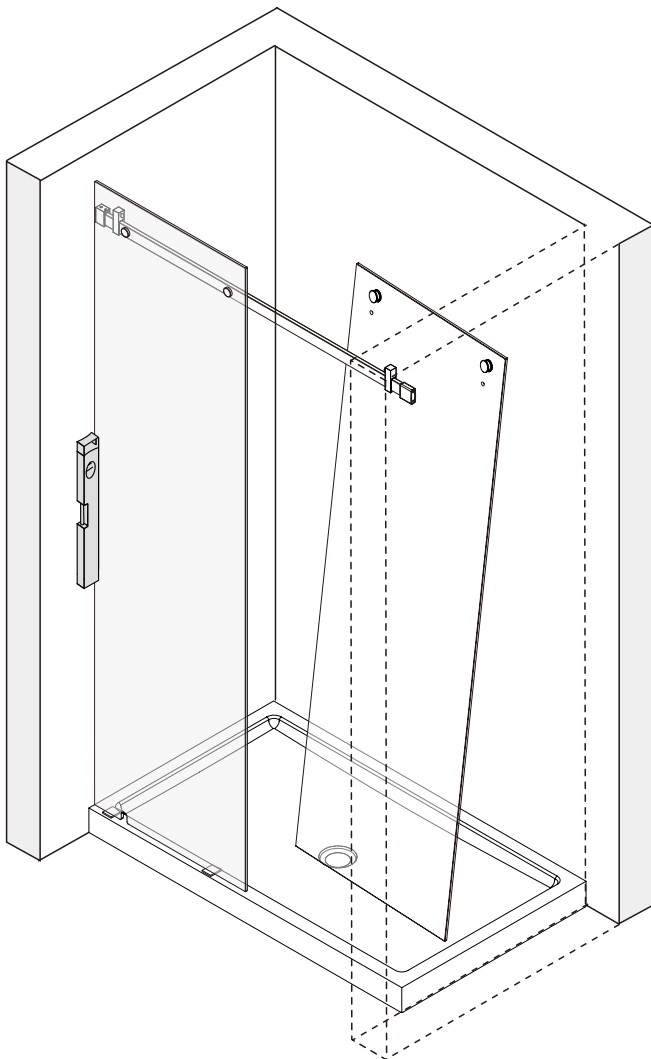
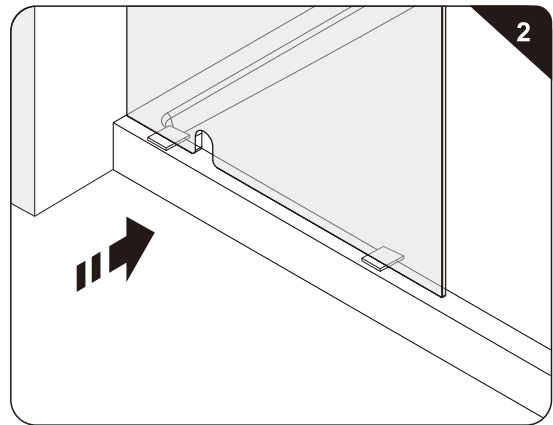
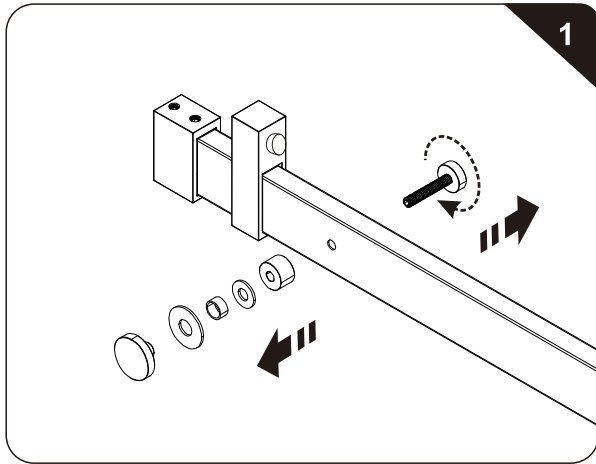
DOOR ASSEMBLY



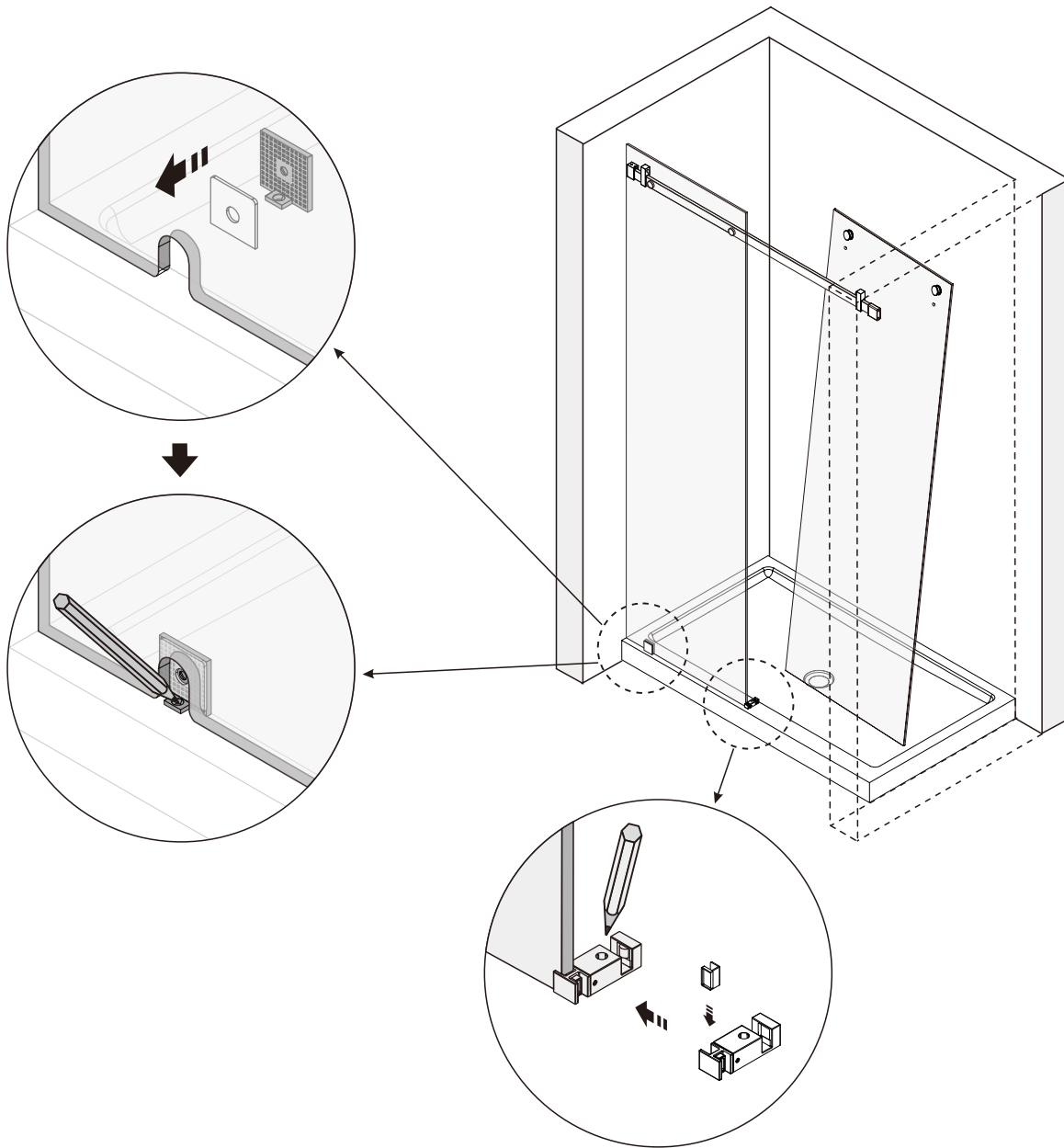
TOP RAIL INSTALLATION



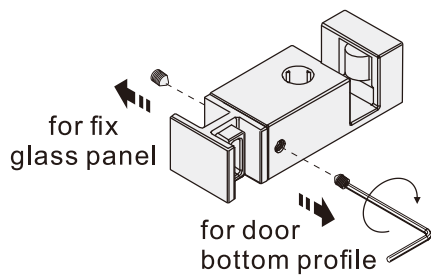
TRAIL INSTALL FIX GLASS



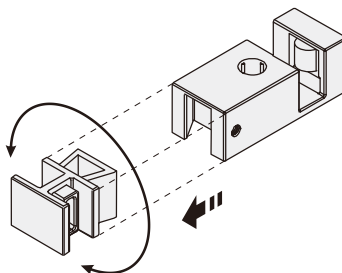
MARK HOLE LOCATION FOR GLASS CLAMP AND BOTTOM CENTER GUIDER



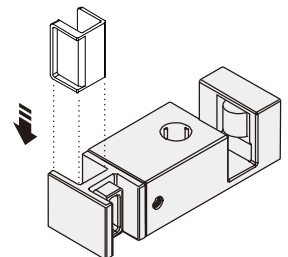
The following bottom center guide shows left-handed sliding.



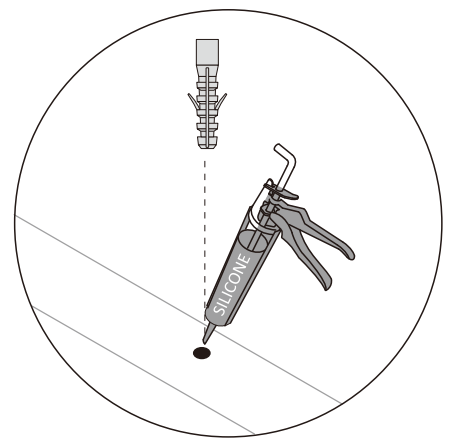
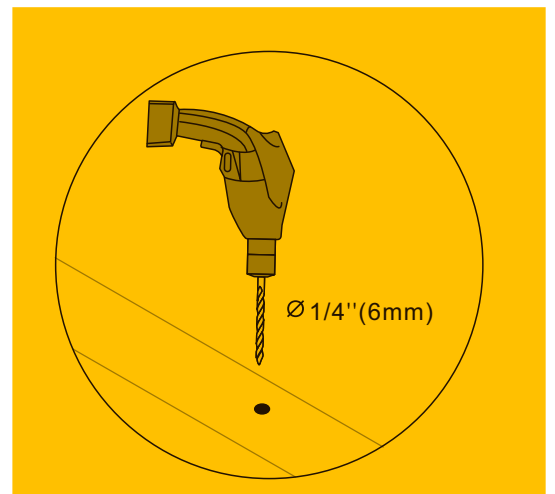
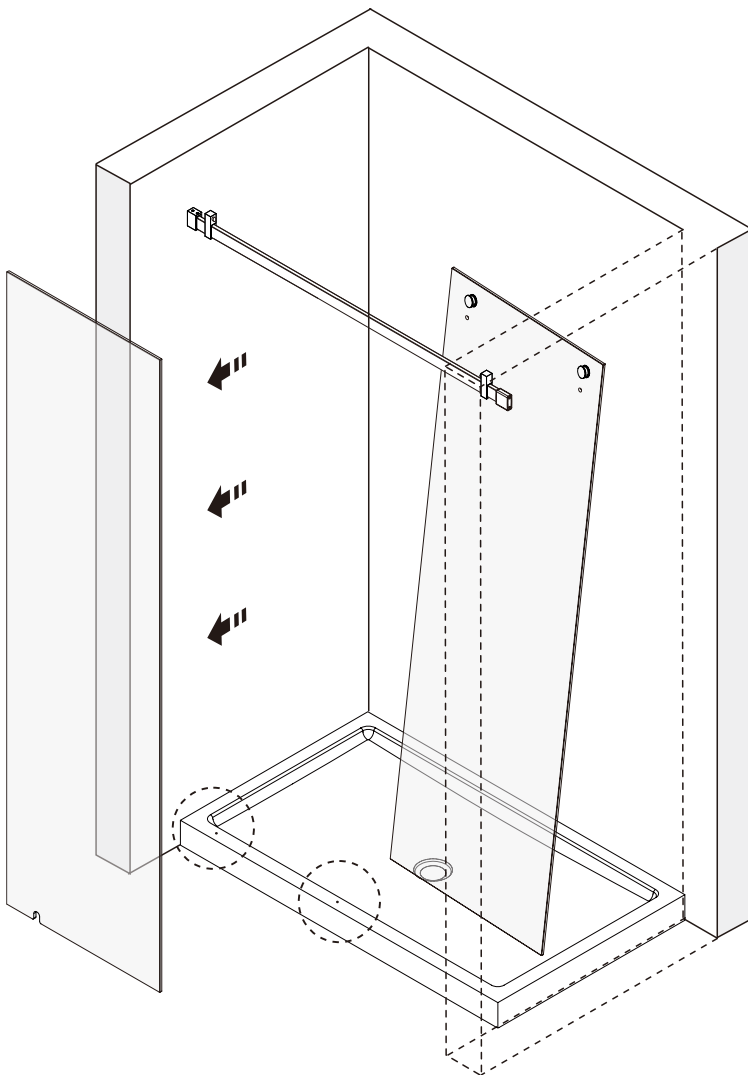
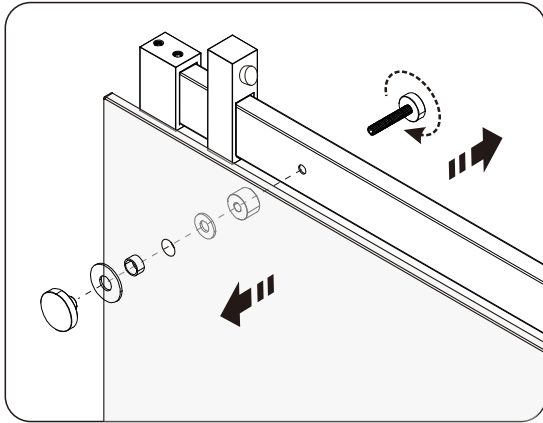
For right-handed sliding, twist hexagonal screw to separate outer part then reverse to refix.



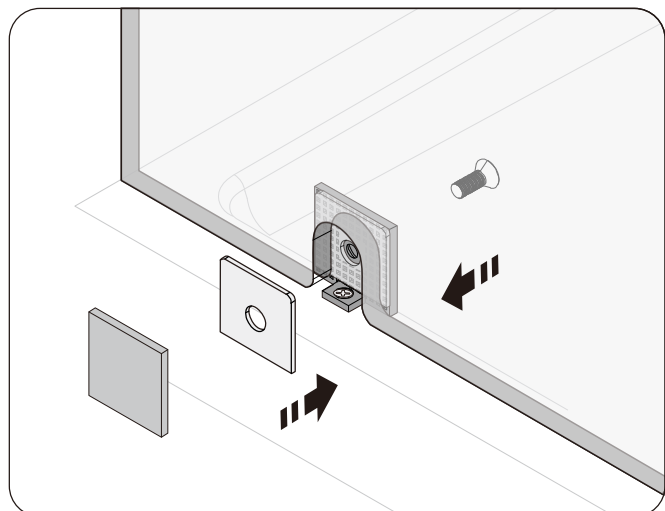
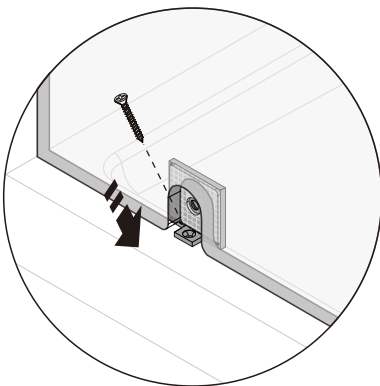
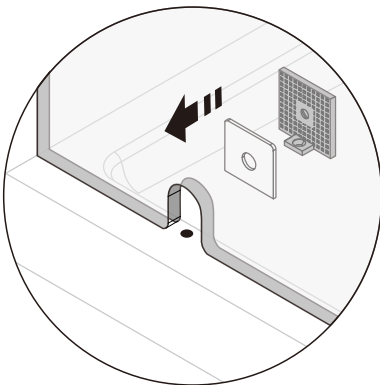
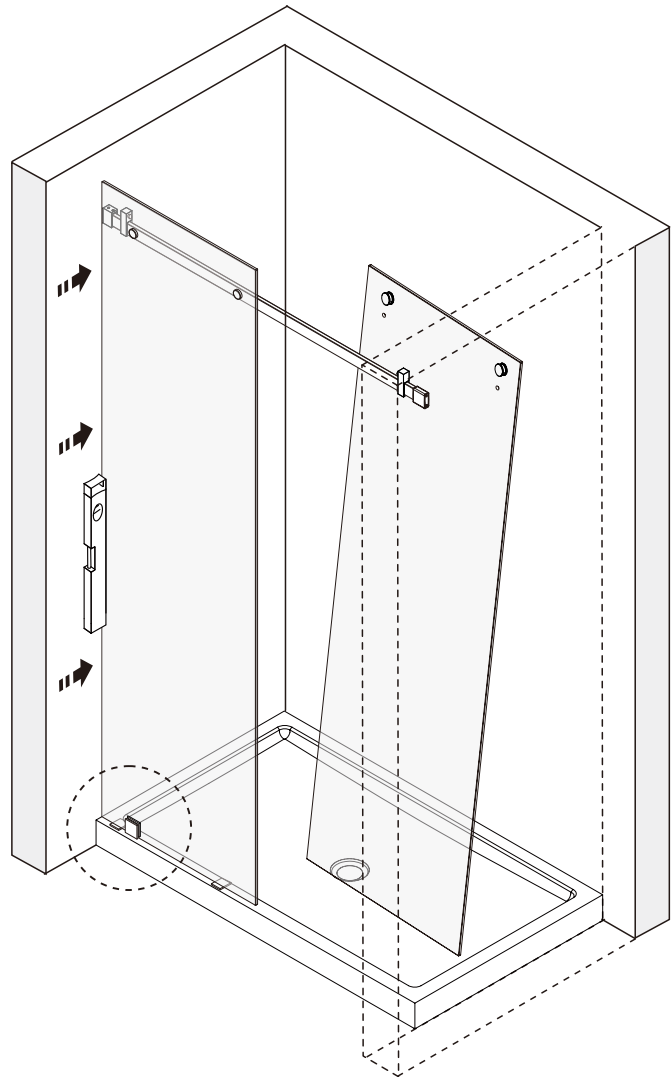
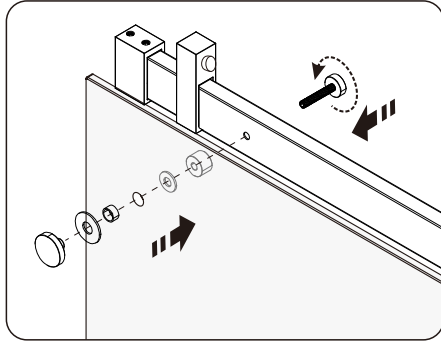
thicker side



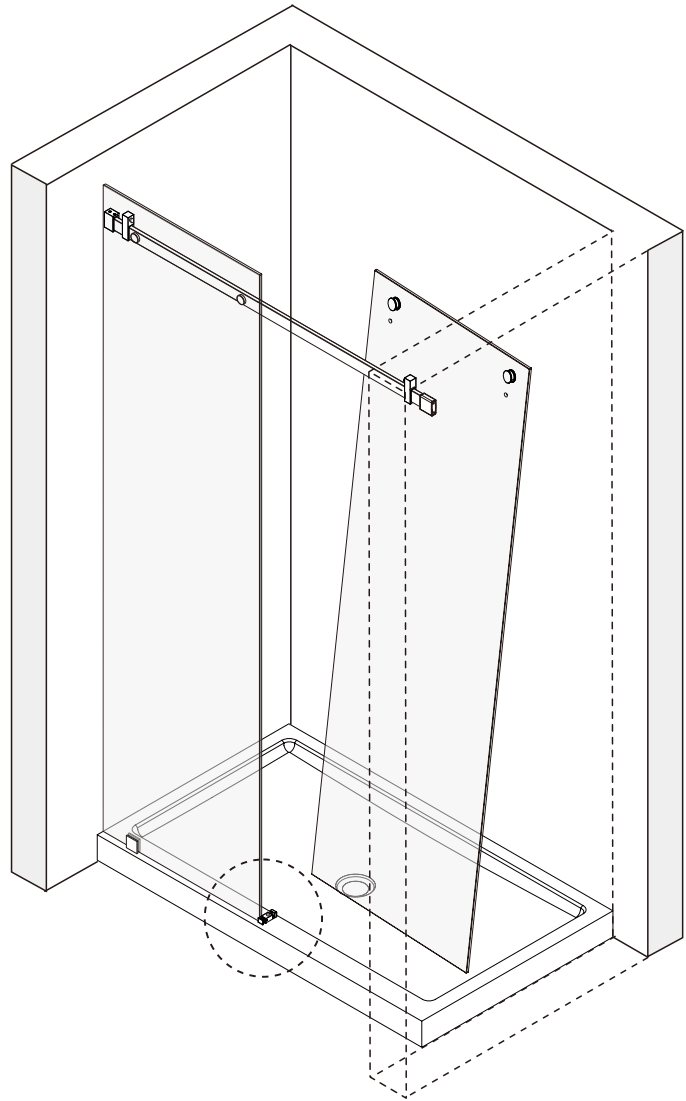
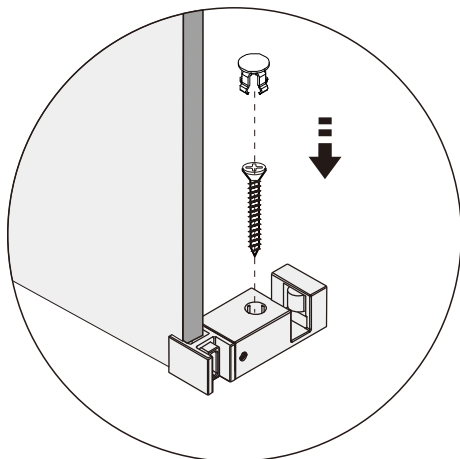
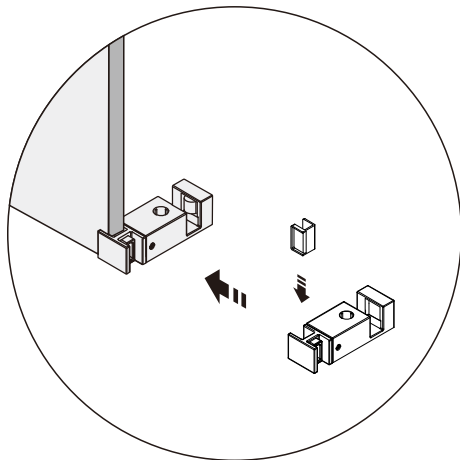
DRILL HOLE FOR FLOOR CLAMP



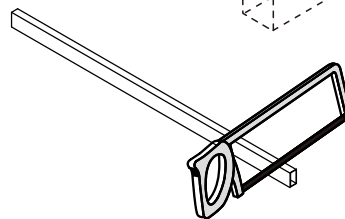
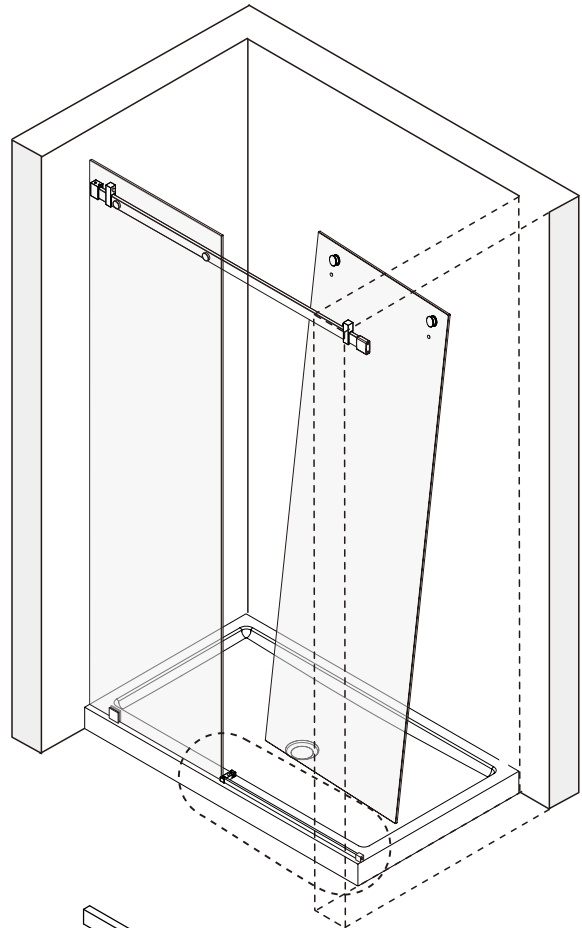
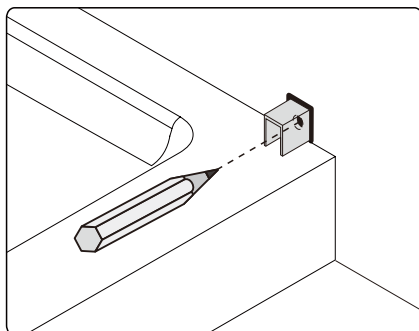
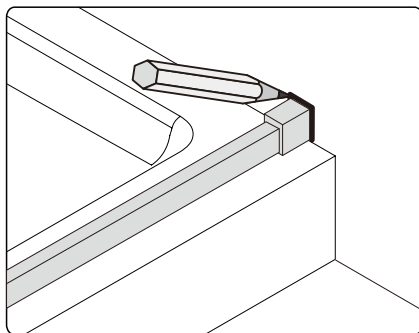
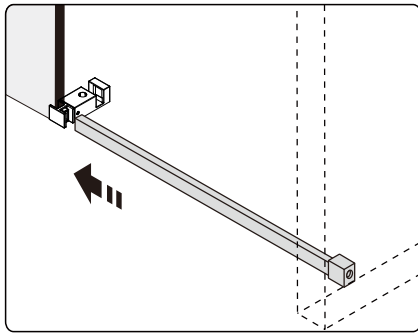
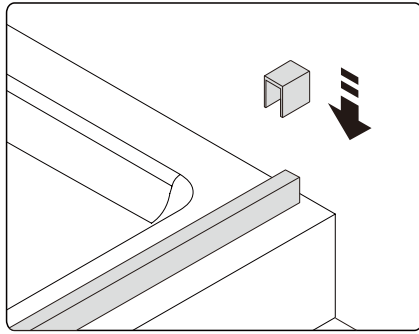
DRILL HOLE FOR FLOOR CLAMP



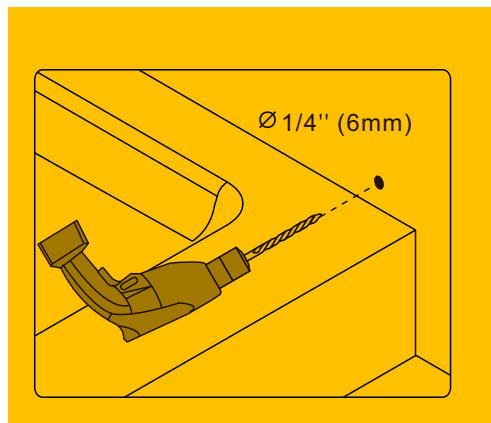
CENTER GUIDER INSTALLATION



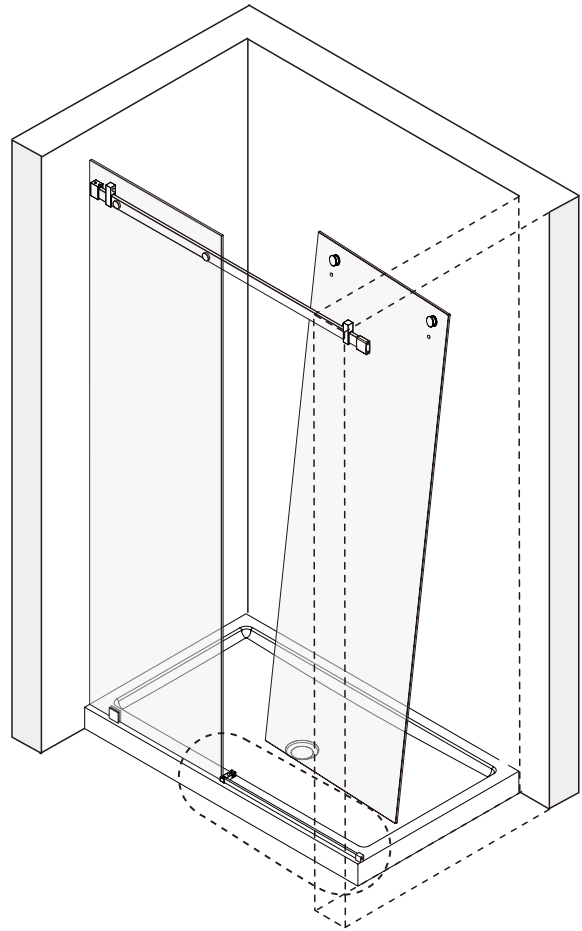
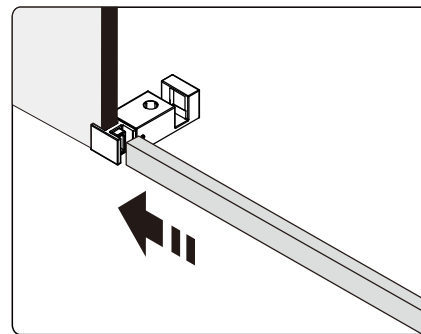
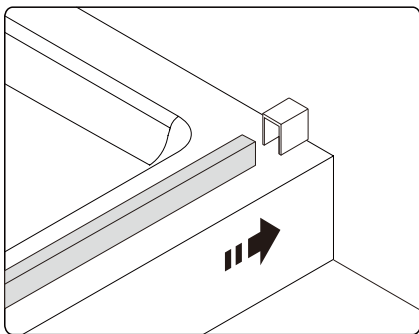
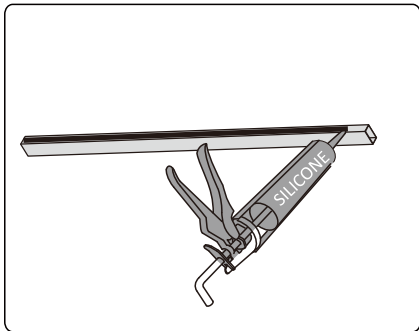
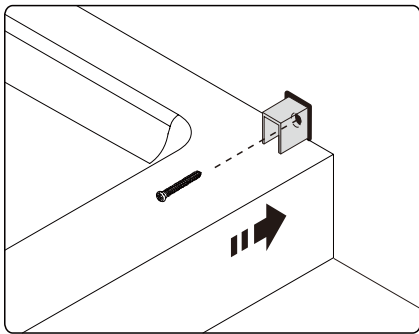
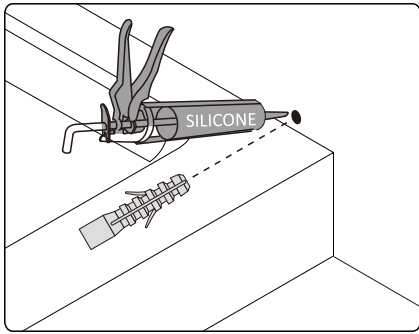
DOOR BOTTOM PROFILE INSTALLATION



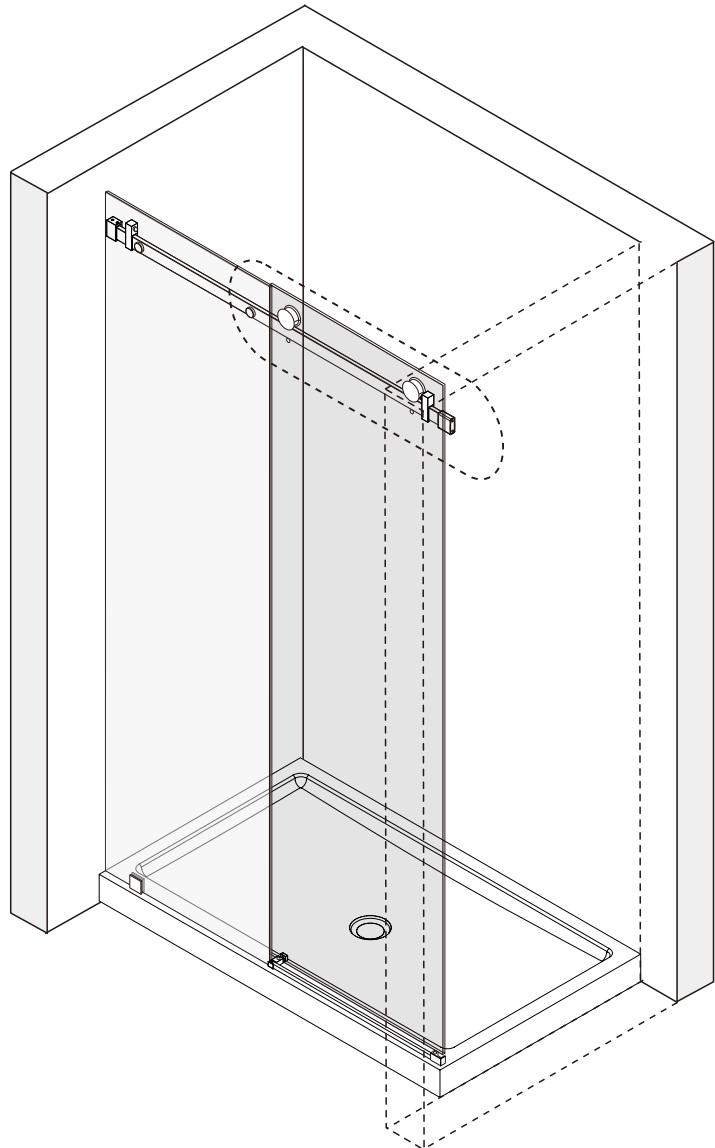
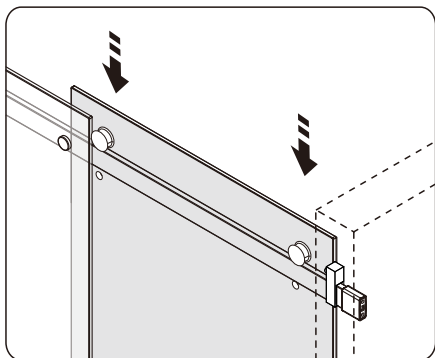
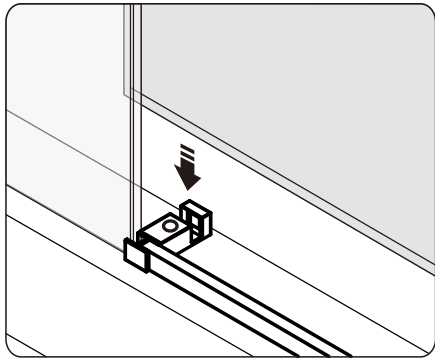
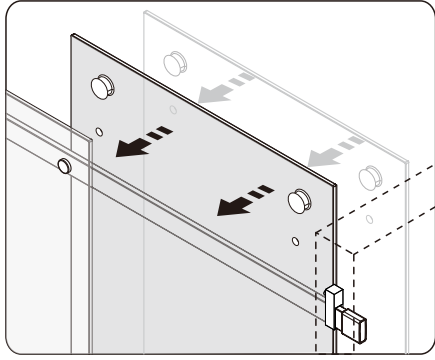
When necessary, cut the door bottom profile length to ensure it can fit inside properly.



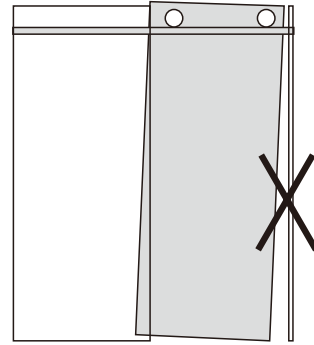
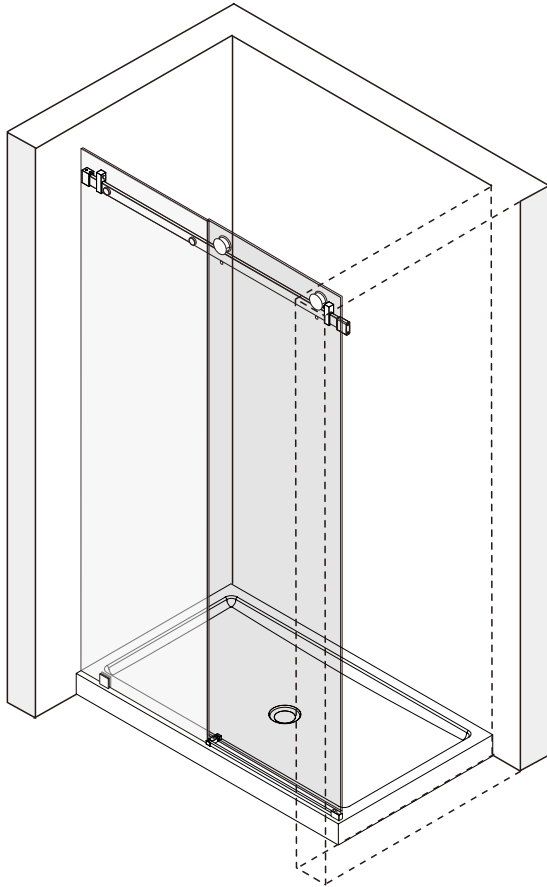
DOOR BOTTOM PROFILE INSTALLATION



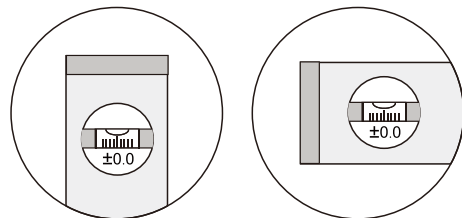
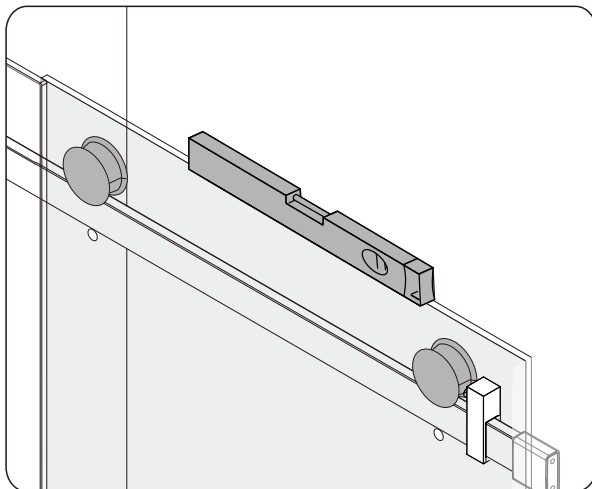
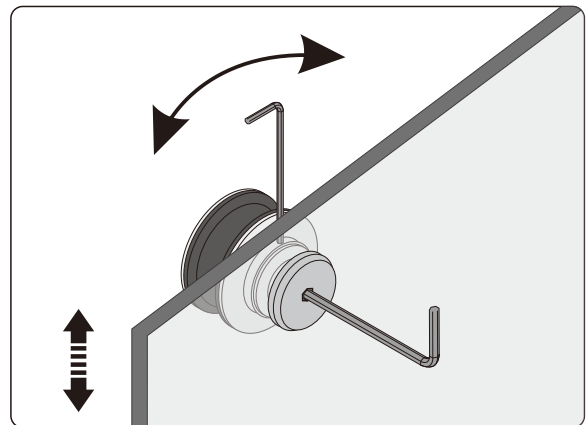
GLASS DOOR PANEL INSTALLATION



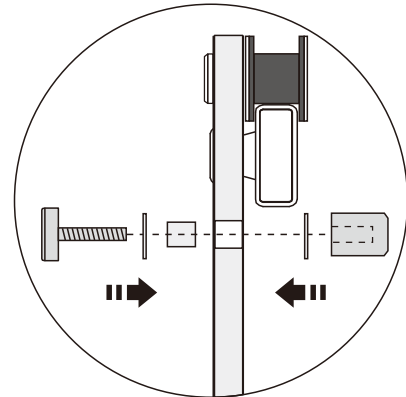
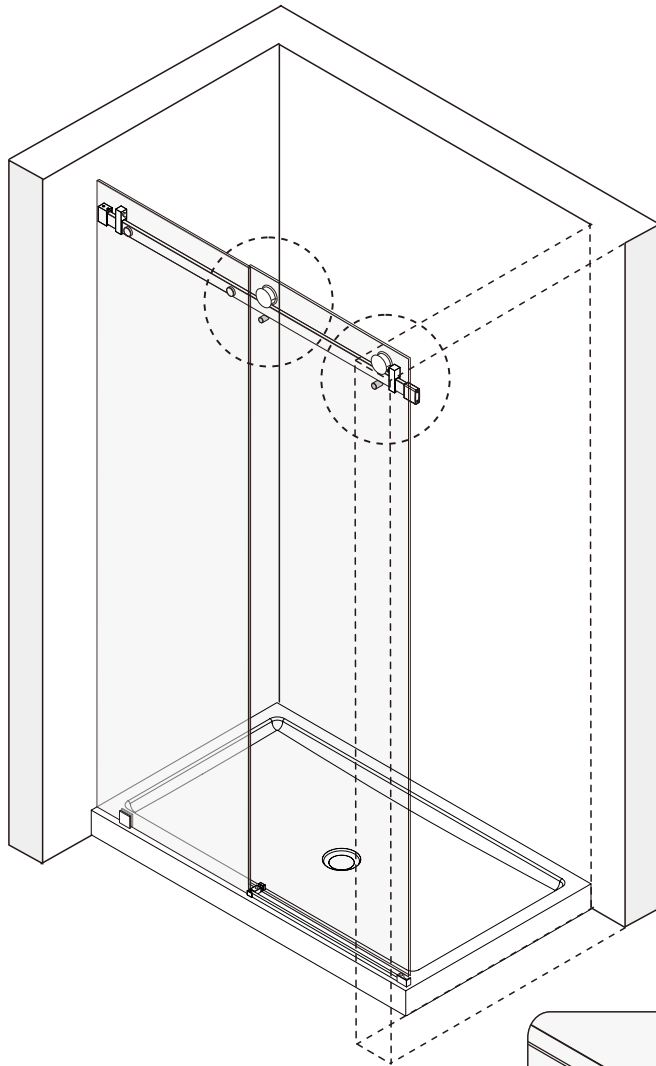
DOOR HEIGHT ADJUSTMENT



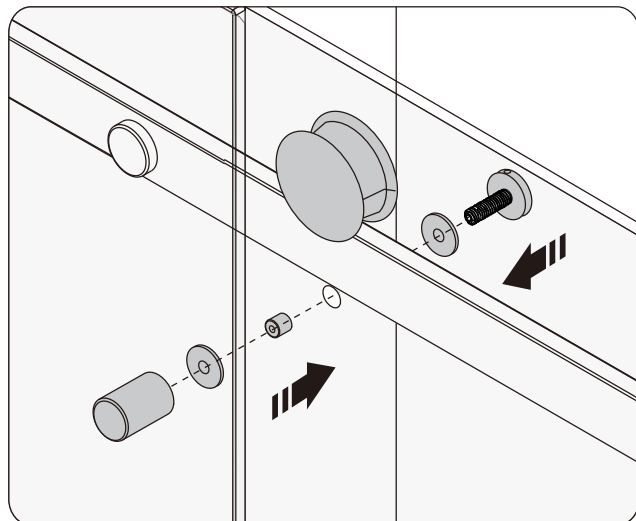
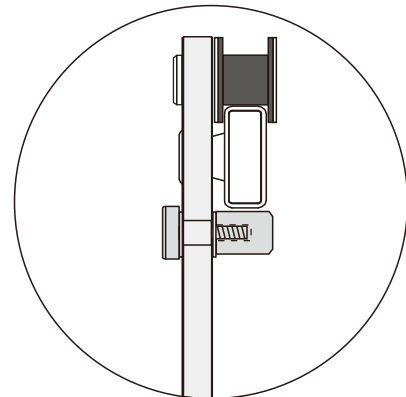
Carefully slide the door toward the wall and check the door closing, if it's unvertical, Make the adjustment by using offset in rollers, so that the sliding door is parallel to the tray.



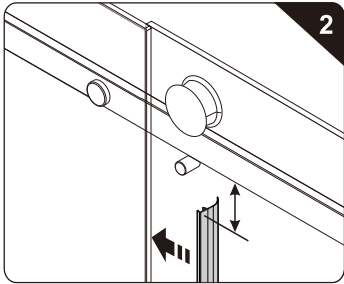
LOCK IN KNOB SETS INSTALLATION



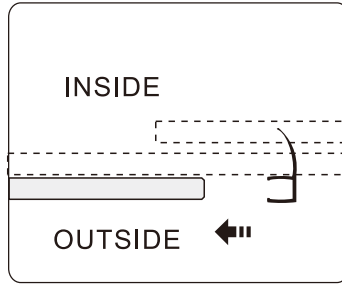
Install upwards to get close to top rail



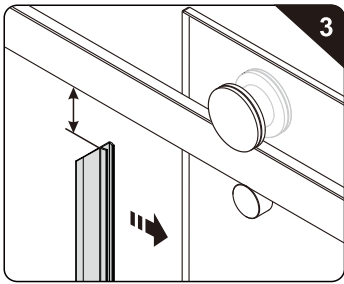
SEAL STRIPES INSTALLATION



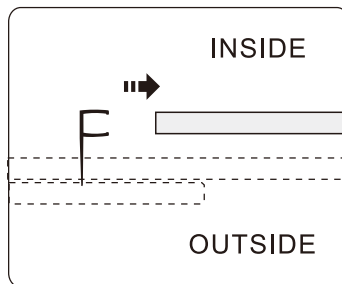
Recommended cutting length
4.33" (110mm) to avoid scratches



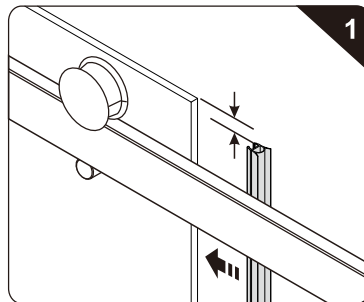
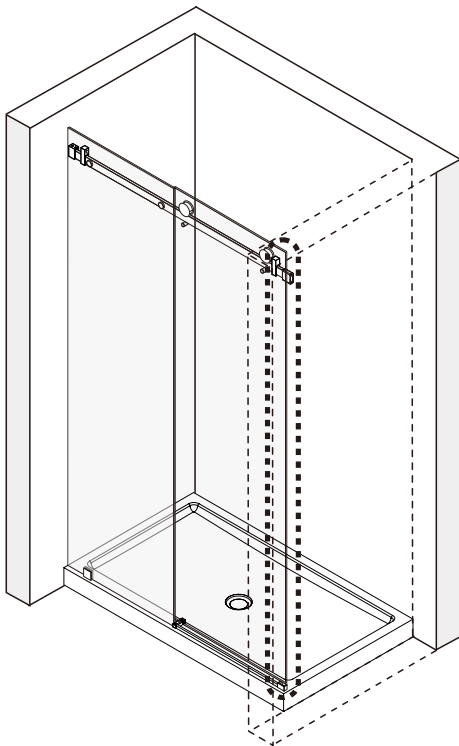
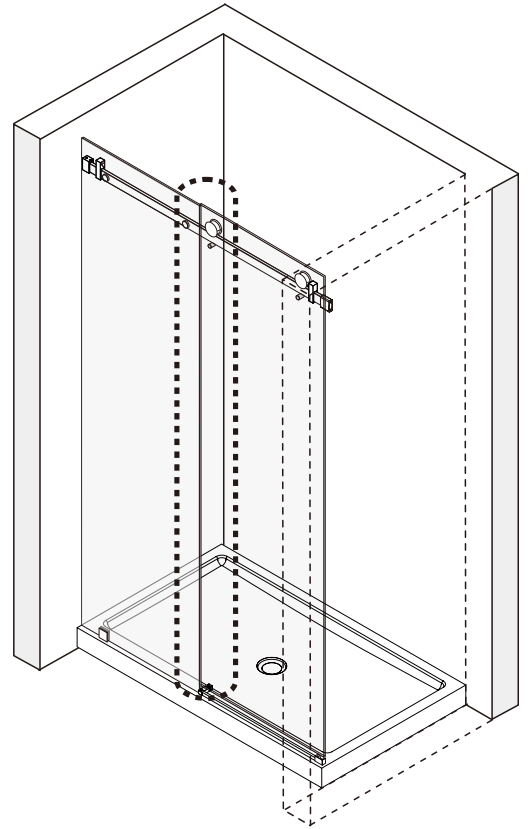
Curved edge seals
for fix panel



Recommended cutting length
4.33" (110mm) to avoid scratches

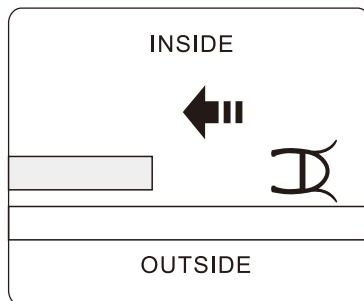


Straight edge seals
for door panel

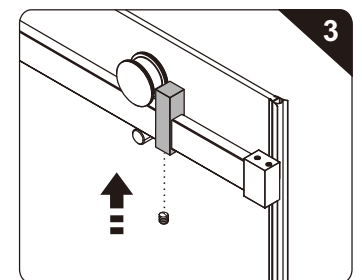
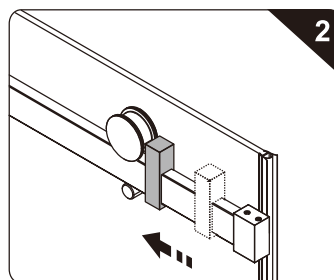
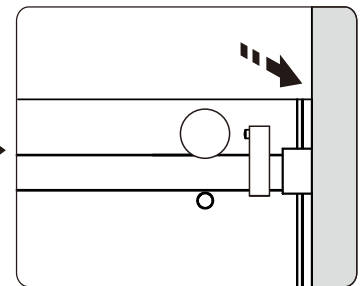
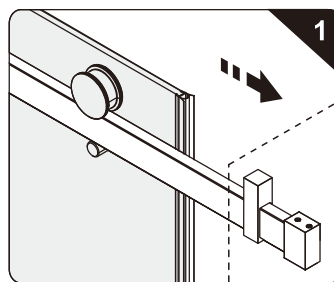
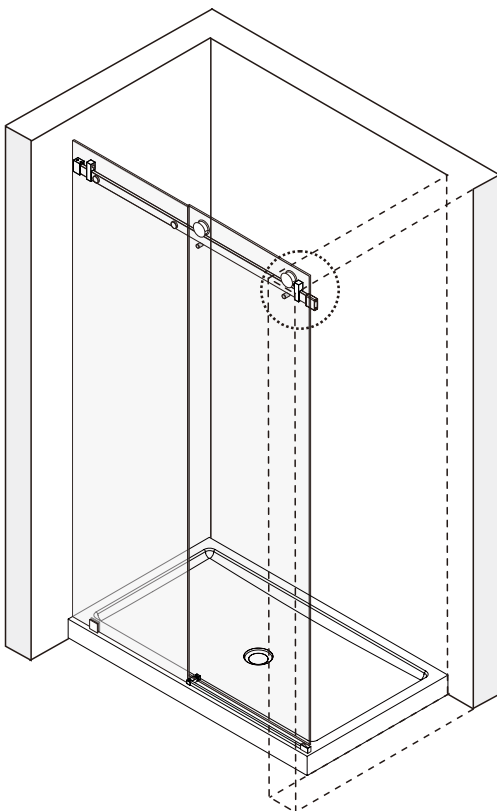
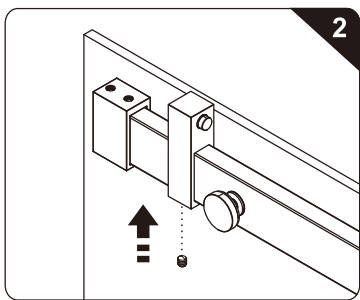
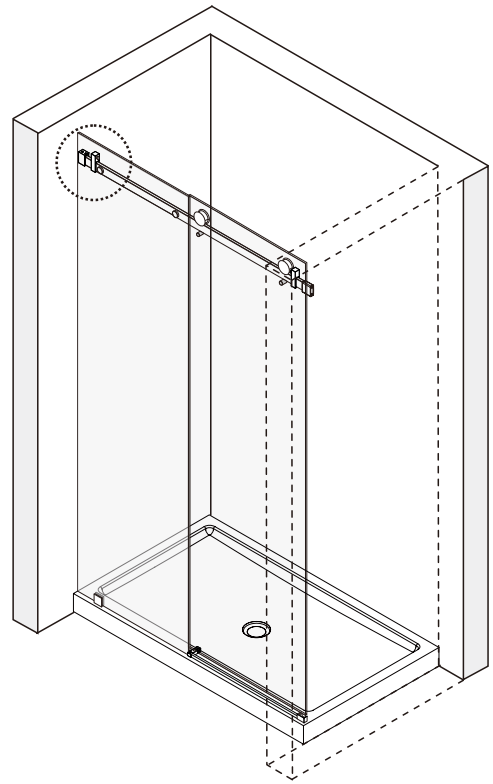
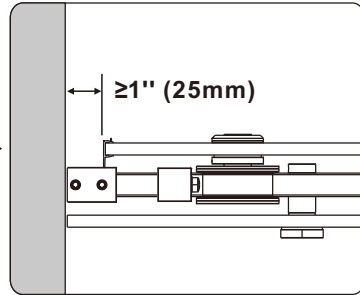
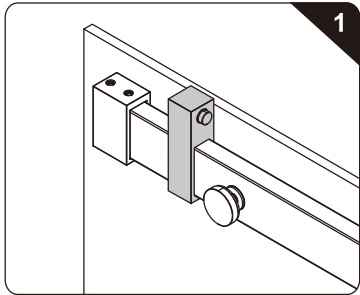


Recommended cutting
length 0.35" (9mm) to
avoid scratches

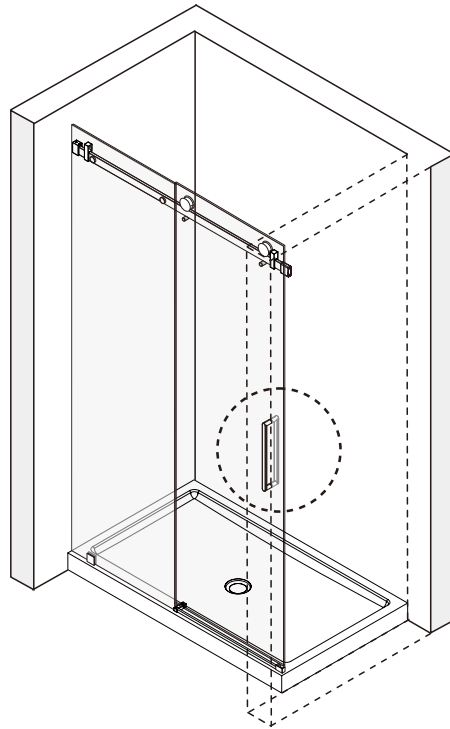
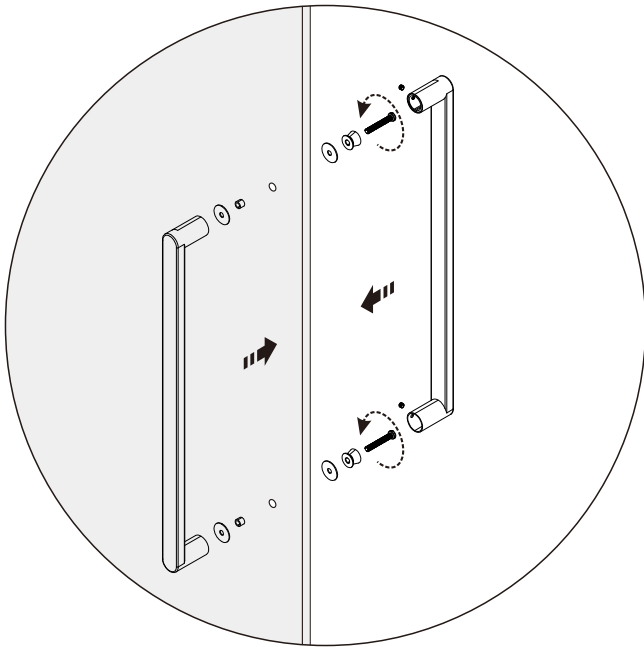
Seal stripes for door panel



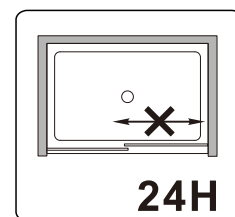
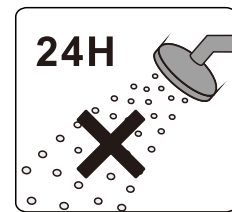
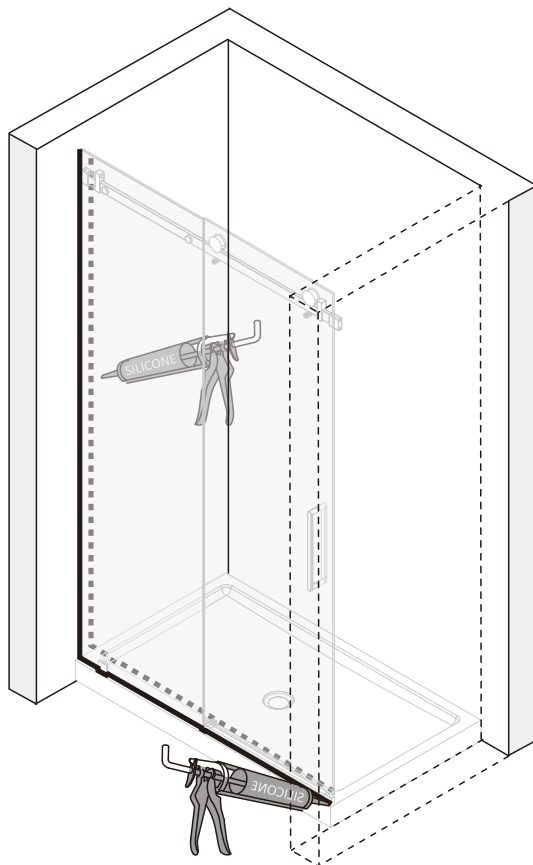
ADJUSTMENT FOR STOPPER



HANDLE INSTALLATION



CAULKING SILICONE



FOR YOUR SAFETY, PLEASE OBEY THE FOLLOWINGS!

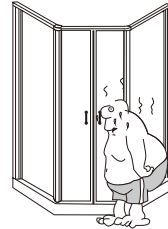
In order to avoid any safety problems and accidental injuries, please read the "Safety Notices" carefully before using this product. Please refer to the conditions listed below and use this product correctly to avoid accidents (Highly recommended to keep this manual for future reference) .

Below are some examples of risky behavior, please avoid such dangerous behavior



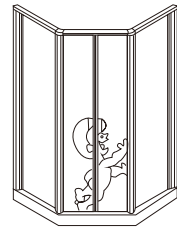
FORBIDDEN

Please do not let the children or the disabled enter the shower room alone, otherwise they may be hurt.



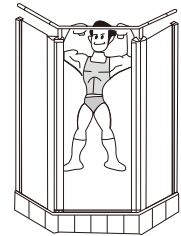
FORBIDDEN

Please do not let children play inside.



FORBIDDEN

Please do not hanging heavy objects.



ATTENTION

Please note, bathroom floors are slippery, please pay attention to the threshold when enter and exit to avoid slipping.

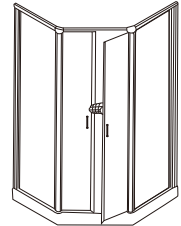


FOR YOUR SAFETY, PLEASE OBEY THE FOLLOWINGS!



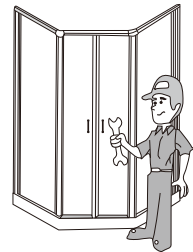
FORBIDDEN

Please do not place your hands between the gaps to prevent crushing.



Caution Points

- To avoid damage, please do not rub or hit the door.
- Worn caulk may cause water leaks, please check and re-caulk promptly.



- The following items may cause physical harm and may damage the shower. Please do not use them in your bathroom.

Acid and alkaline solvents, medicine (e.g hydrochloric acid), acetone thinner, solvents, cleanser, polishers, nylon brooms or sand paper.

