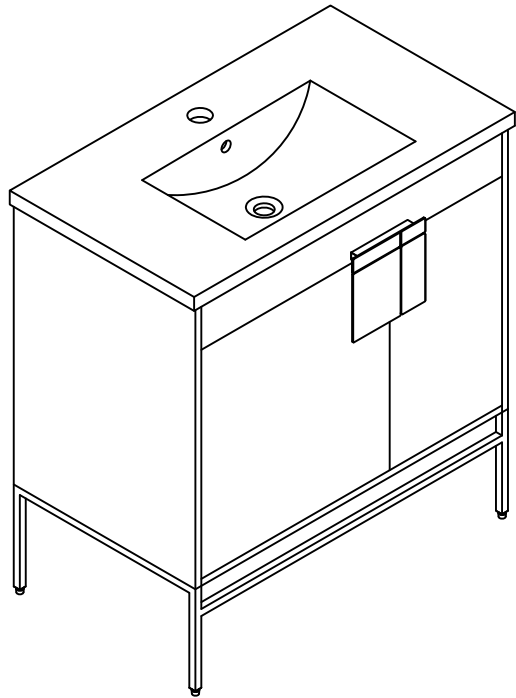

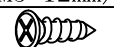
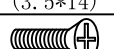
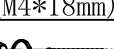




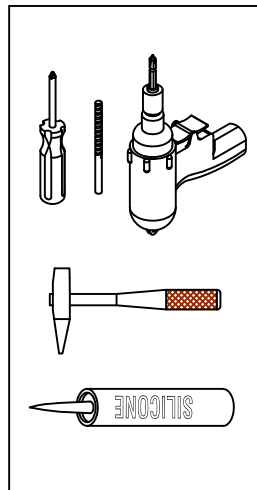
Assembly Instruction



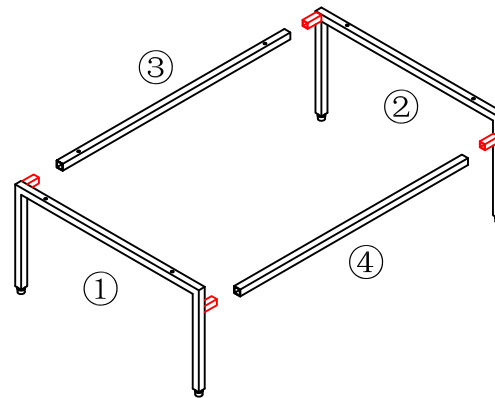
Hardware

NO.	Draw	QTY
A	 (M5*12mm)	8
B	 (3.5*14)	6
C	 (M4*18mm)	6
D		2
E		2
F		2

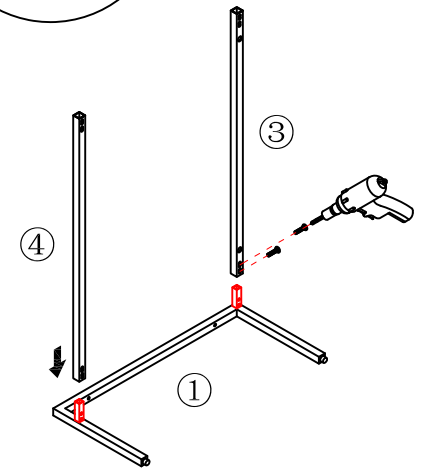
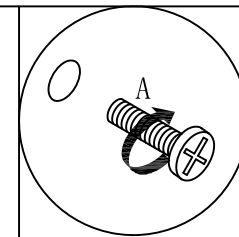
Tools



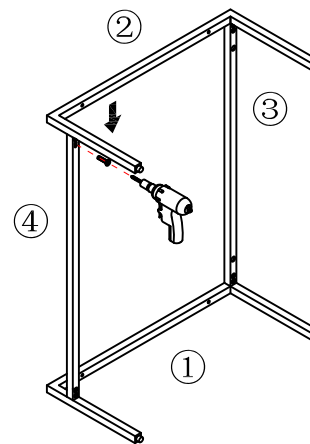
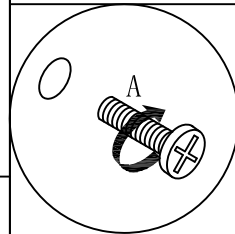
Step 1



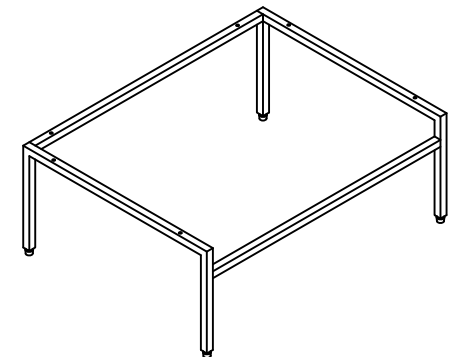
Step 2



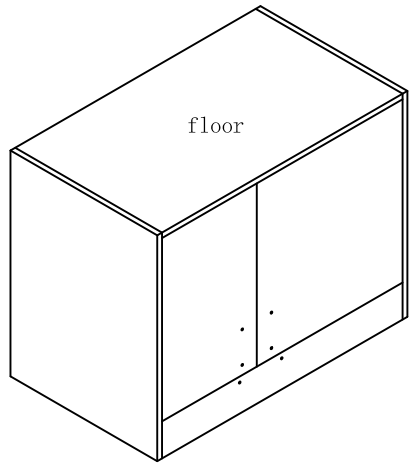
Step 3



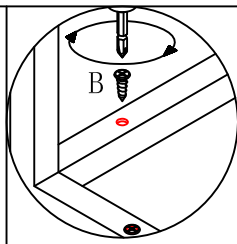
Step 4



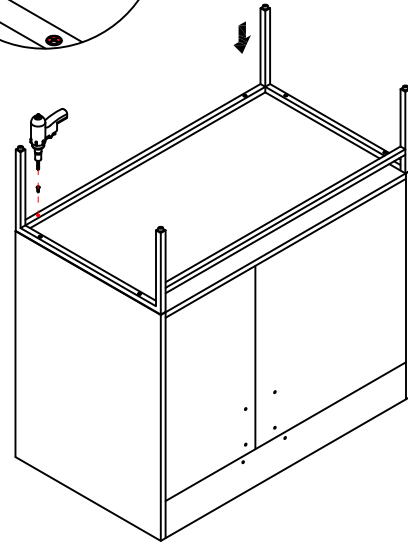
Step 5



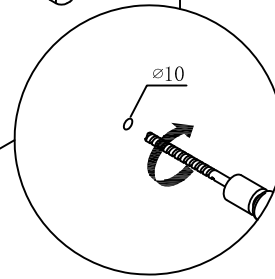
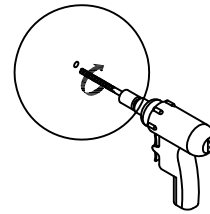
Cabinet handstand



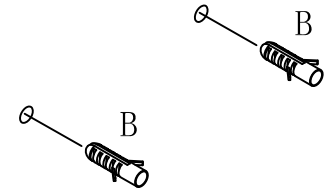
Step 6



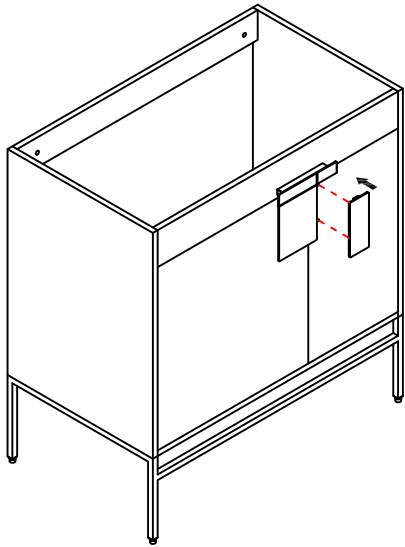
Step 9



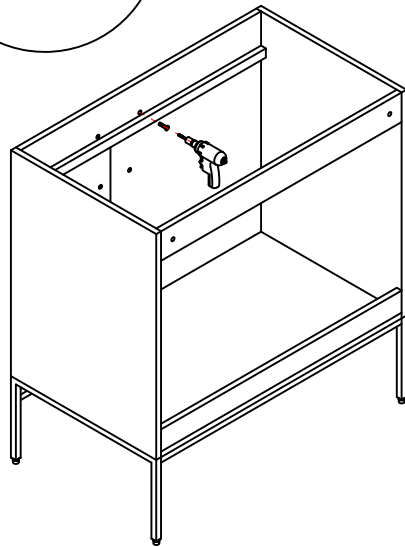
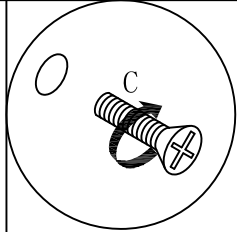
Step 10



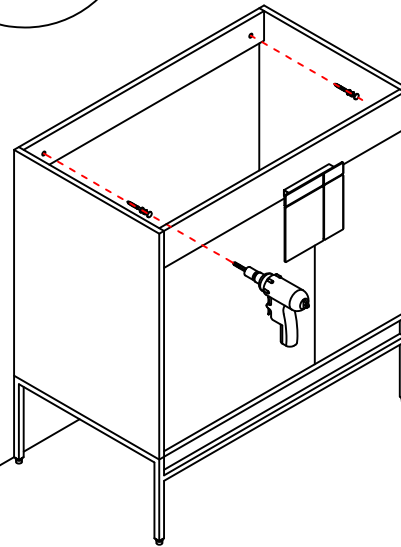
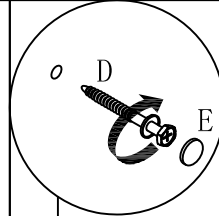
Step 7



Step 8



Step 11



Finished

