

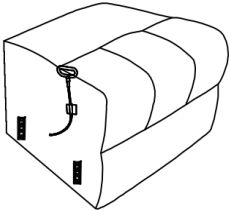



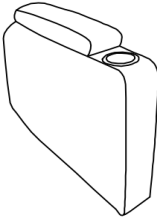

Assembly Instructions

CAUTION

DO NOT use any sharp objects to open plastic wrapped components as this may result damage to product or components .

The product (sectional) comes packaged in **two** kinds of packages. Carefully remove all of components from the packaging and set aside for assembly.

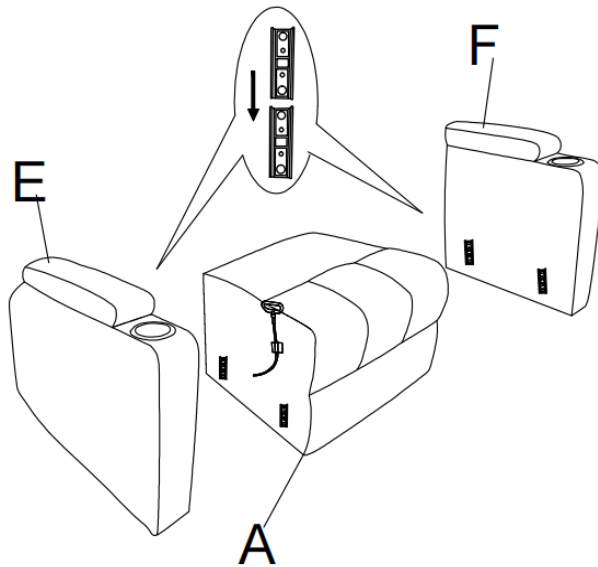
Package Contents

BOX 1				
	A*1 Seat Frame	B*1 Left Ear	C*1 Right Ear	
BOX 2				
	D*1 Backrest	E*1 Left Armrest	F*1 Right Armrest	

1 SECTIONAL ASSEMBLY - BODY SETUP

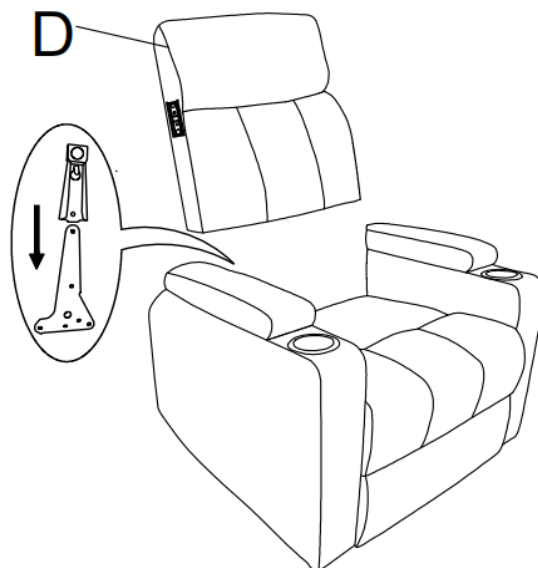
Step 1:

Attach the Left Armrest(when facing the chair)(E) and Right Armrest(when facing the chair)(F) to the Seat Frame(A) by the metal slider. Ensure the armrest is fully inserted to the bottom along the metal slider to avoid tilting or moving.



Step 2:

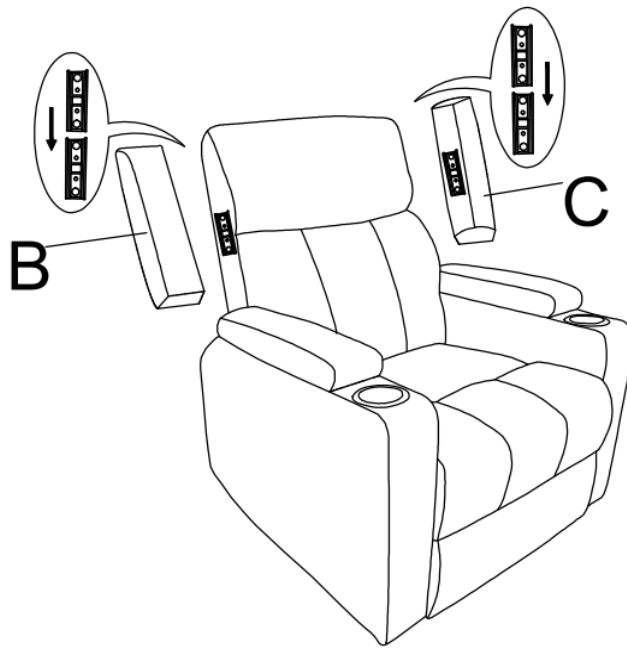
Assemble the Backrest(D) to its Seat Frame(A), making sure it is securely installed before using.



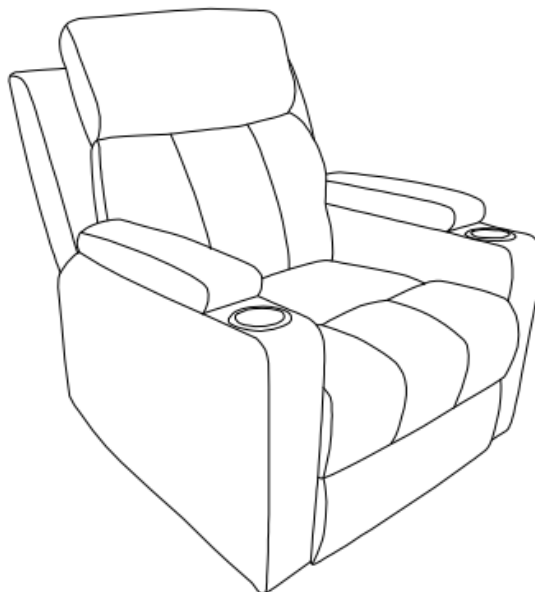
2 SECTIONAL ASSEMBLY - BODY SETUP

Step3:

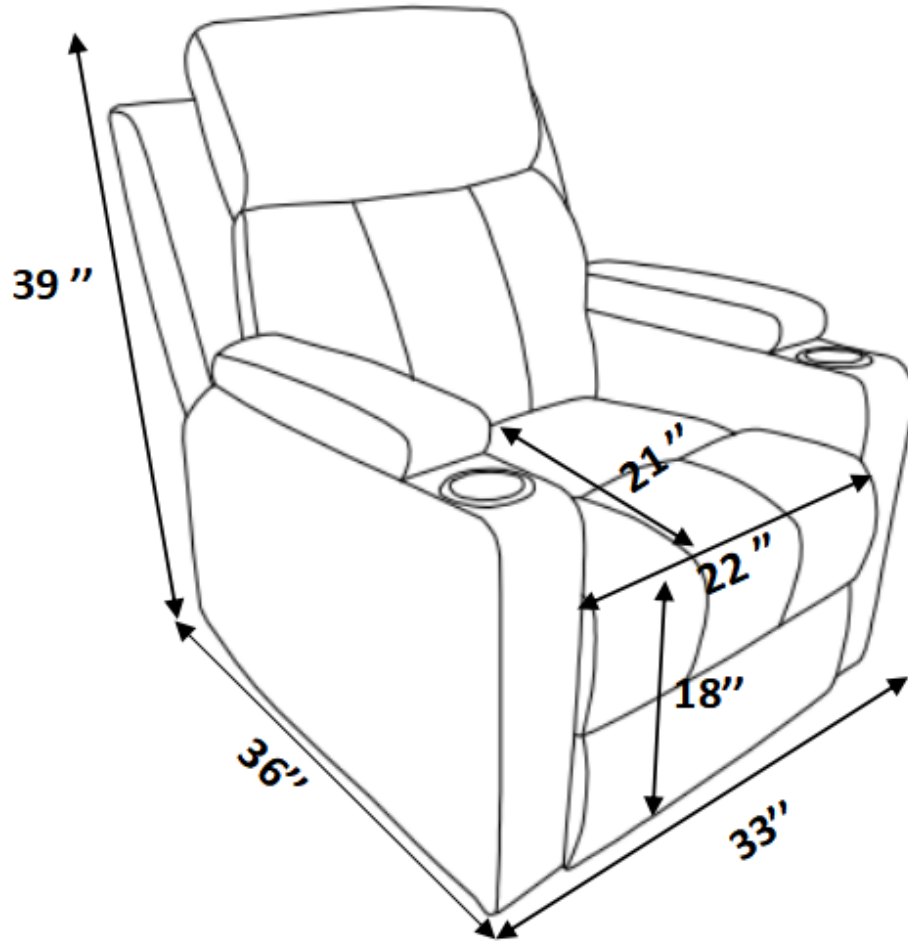
Attach the Left Ear (when facing the chair) (B) and Right Ear (when facing the chair) (C) to the Seat Frame (D) by the metal slider. Ensure the armrest is fully inserted to the bottom along the metal slider to avoid tilting or moving.



ASSEMBLY COMPLETED



3 INSTRUCTIONS FOR USE - SIZE DIMENSIONS



Manual Recliner

⚠️ WARNINGS

1. Please check if the components of the chair are all included and can be used normally.
2. Assemble all components according to the instruction correctly before you connect the chair to the power.
3. Please DO NOT sit on the armrests or footrest to eliminate the risk of tipping over.
4. If the chair is damaged or doesn't match the website description, please send clear pictures of the product and label of the carton to our service team for further help.
5. If the recliner doesn't work, you may try the following measures for self-checking firstly:
 - a) check if all the cables are connected;
 - b) check if the light of transformer is on.

If the chair still doesn't work, please feed the information back to our customer service in time and we will help you solve the matter as soon as possible.

