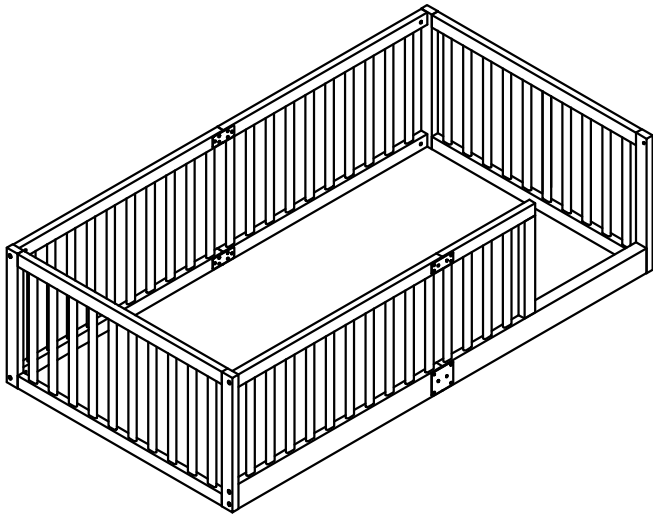
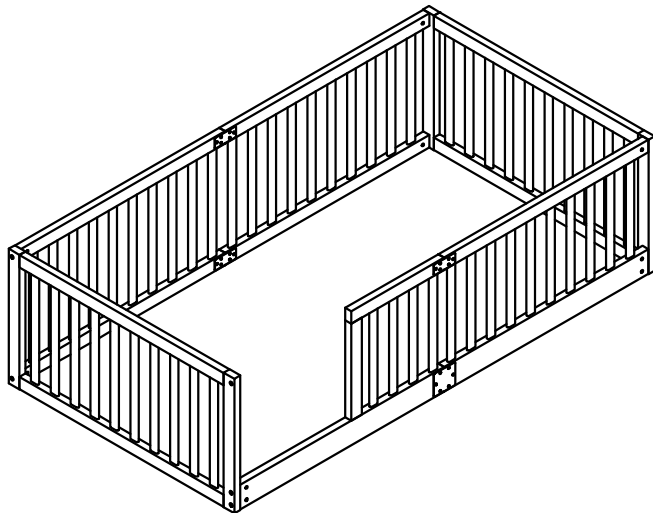


ASSEMBLY INSTRUCTIONS

TWIN FLOOR BED - NO SLATS AND NO DOOR



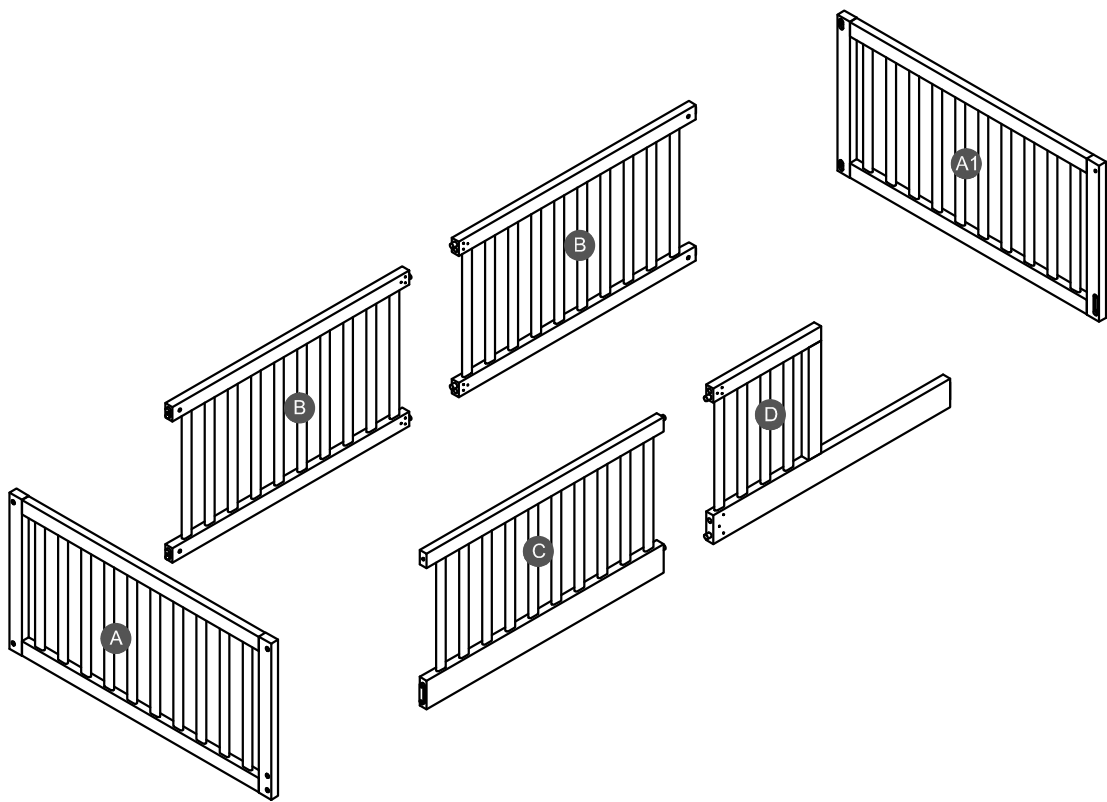
OR



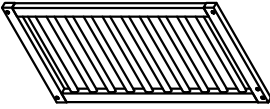
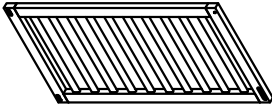
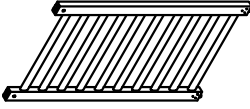
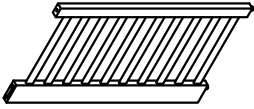
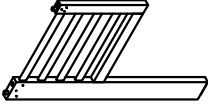
BED092TC08/BED092TC15/BED092TC77

Contact us: vipservice2024@yeah.net

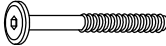

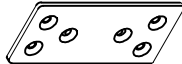
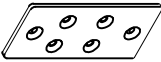
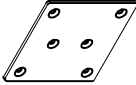
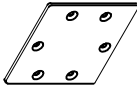


Detail View



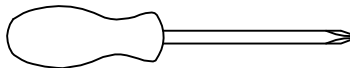
Part List

A  Guard rail (Left) - 1pc	A1  Guard rail (Right) - 1pc	B  Guard rail (Back) - 2pcs
C  Guard rail (Left Front) - 1pc	D  Guard rail (Right Front) - 1pc	

Hardware List

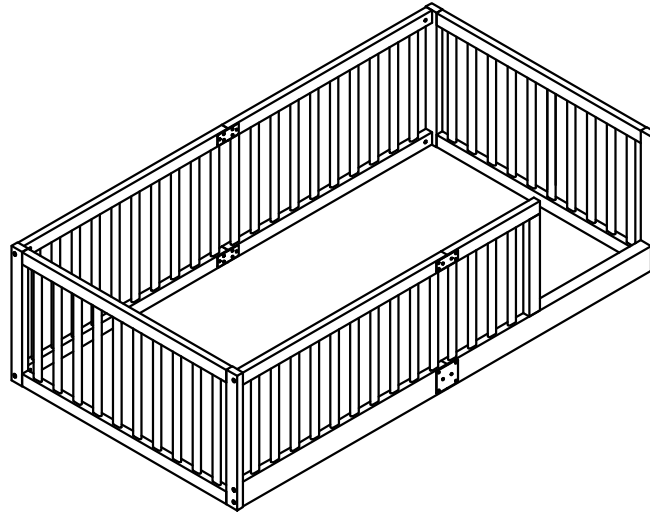
1  (Ø12)1/4"*70mm Hex-Head bolts (9pcs)	2  1/4"*15 (9.5mm) Horizontal-Hole bolts(9pcs)	3  100*44*1.5 mm Metal bracket (3pcs)
4  100*44*1.5 mm Metal bracket (3pcs)	5  100*94*1.5 mm Metal bracket (1pc)	6  100*94*1.5 mm Metal bracket (1pc)
7  (1/4")4.5*58mm Allen key (1pc)	8  Ø4*19mm Wood screws (48pcs)	

ASSEMBLY TOOLS REQUIRED (NOT INCLUDED)

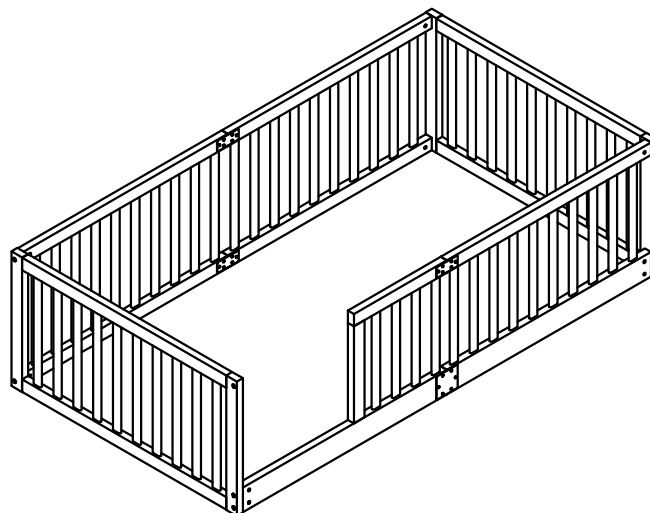


PLEASE BE CAREFUL DO NOT DAMAGE THE HOLE POSITION WHEN YOU USE POWER TOOLS !

Depending on the room layout, choose the open side to be installed on the right or left.

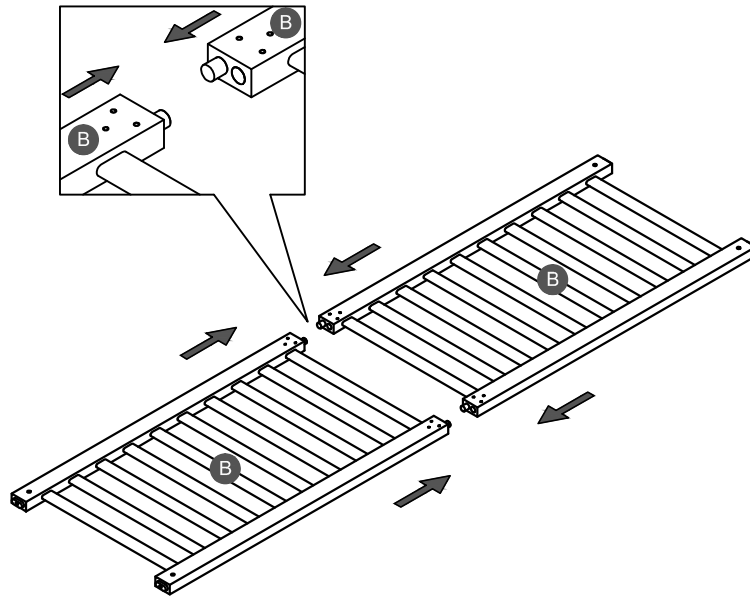


If you choose to install the open side on the right, please follow the installation step 1, 2, 3, 4, 5, 6, 7.

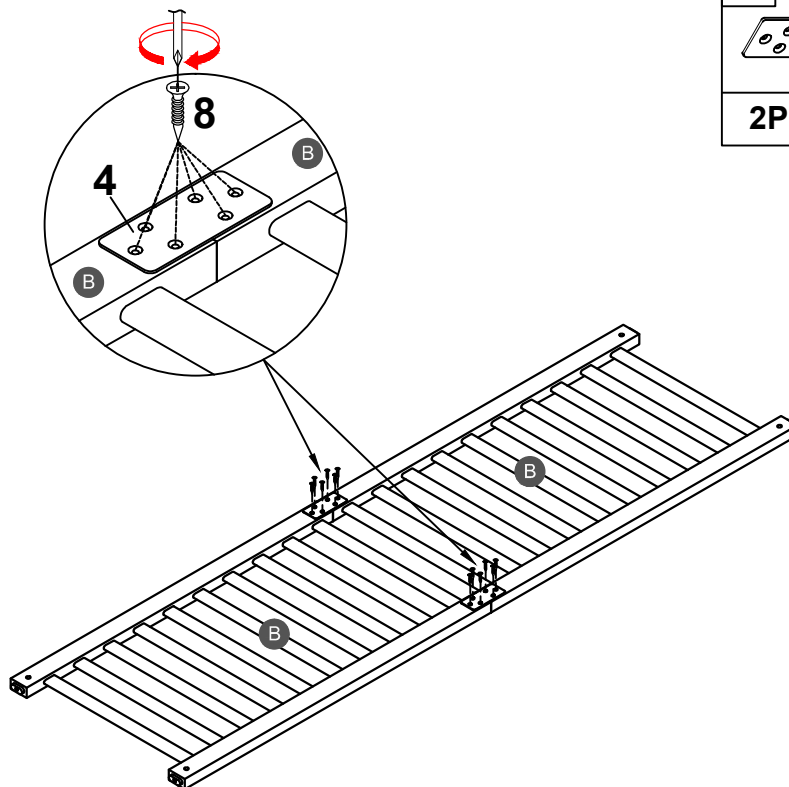


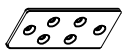

If you choose to install the open side on the left, please follow the installation step 1, 2, 3, 4, 5, 6, 8.

STEP 1:



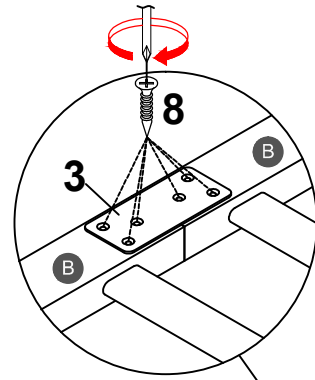
STEP 2:

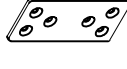



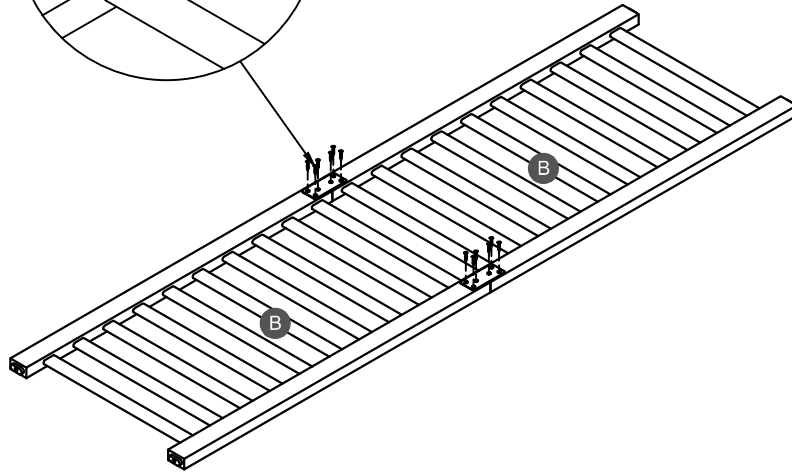
4 	8 
2PCS	12PCS

Note : The hole location of the fixed pin for each installation step is different.

STEP 3:

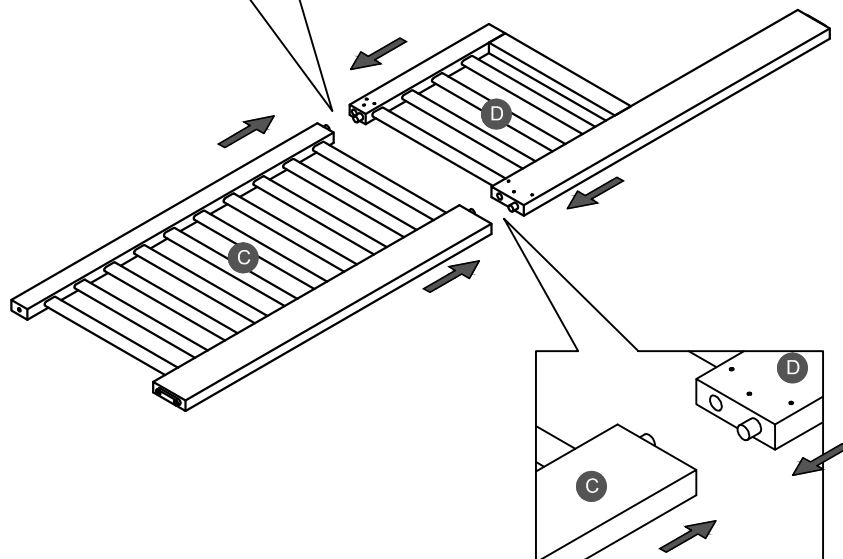
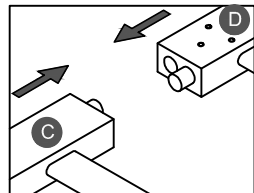


3	8
	
2PCS	12PCS

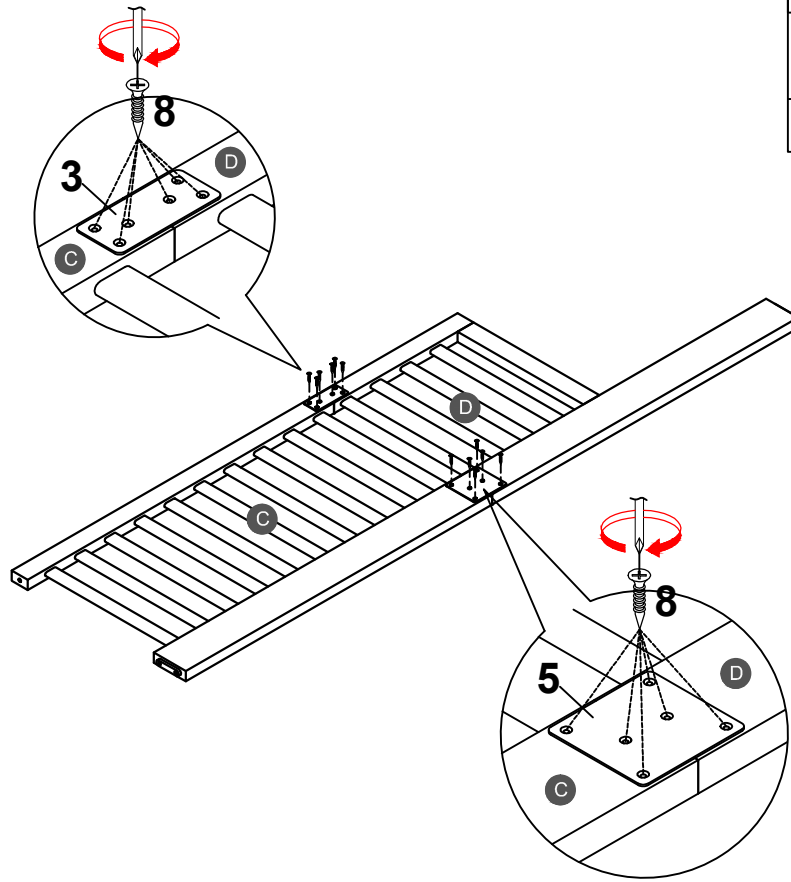


After completing the installation of step 2, please flip to the other side.

STEP 4:

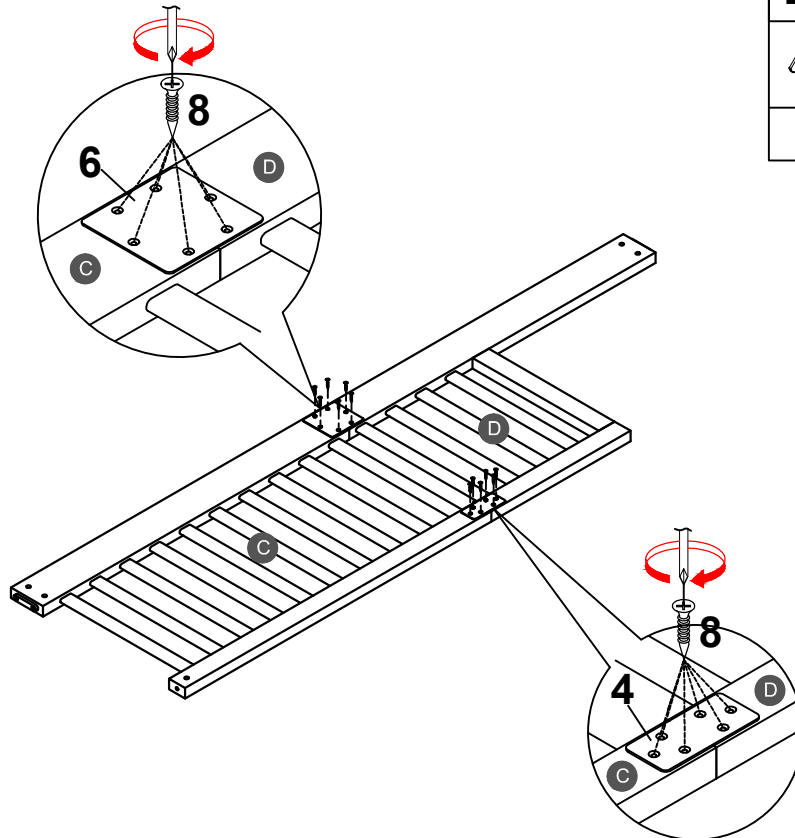


STEP 5:



3	5
1PC	1PC
8	
12PCS	



STEP 6:

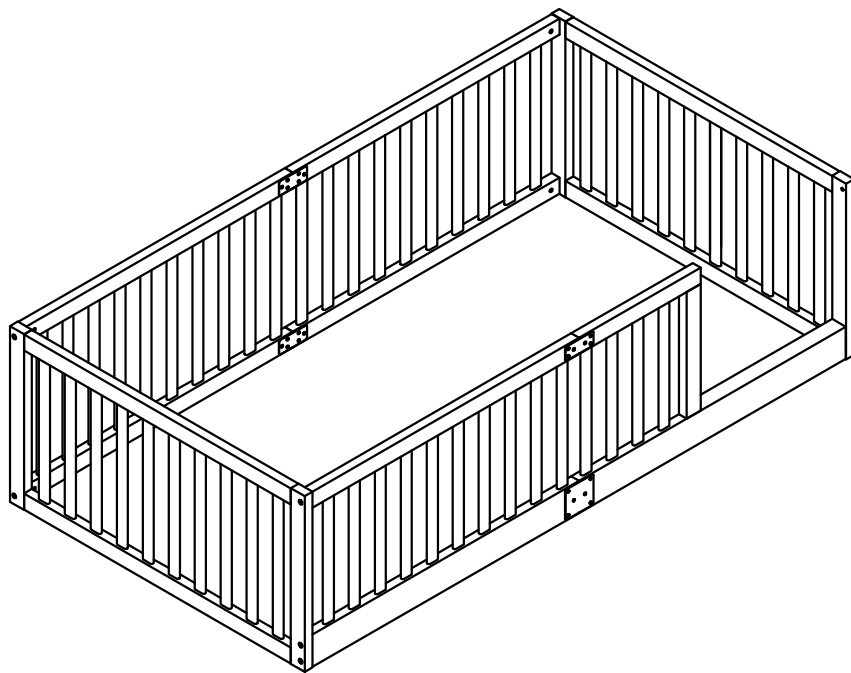
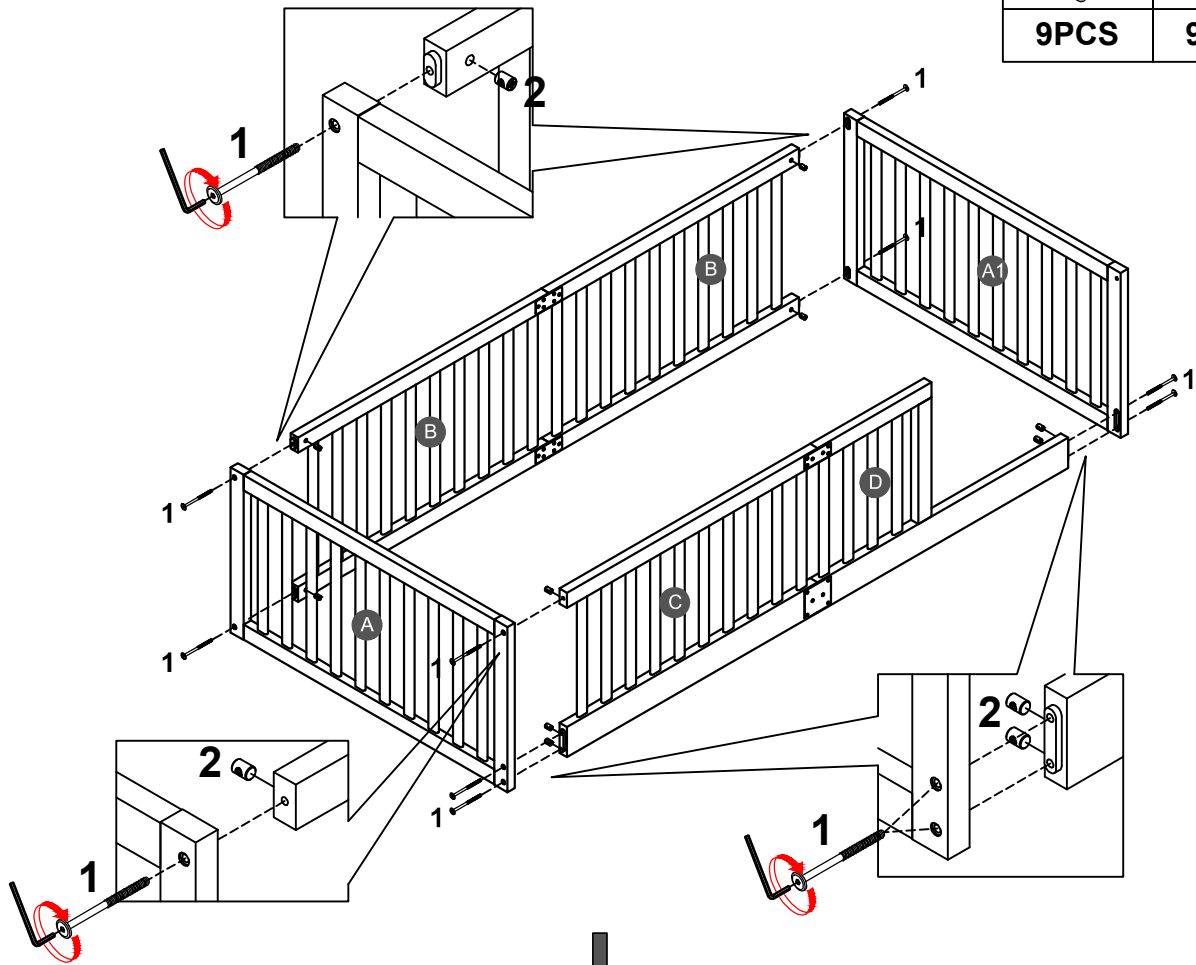


4	6
1PC	1PC
8	
12PCS	



STEP 7:

The open side installed on the right side.

1		2	
9PCS		9PCS	



STEP 8: The open side installed on the left side.

1		2	
9PCS		9PCS	

