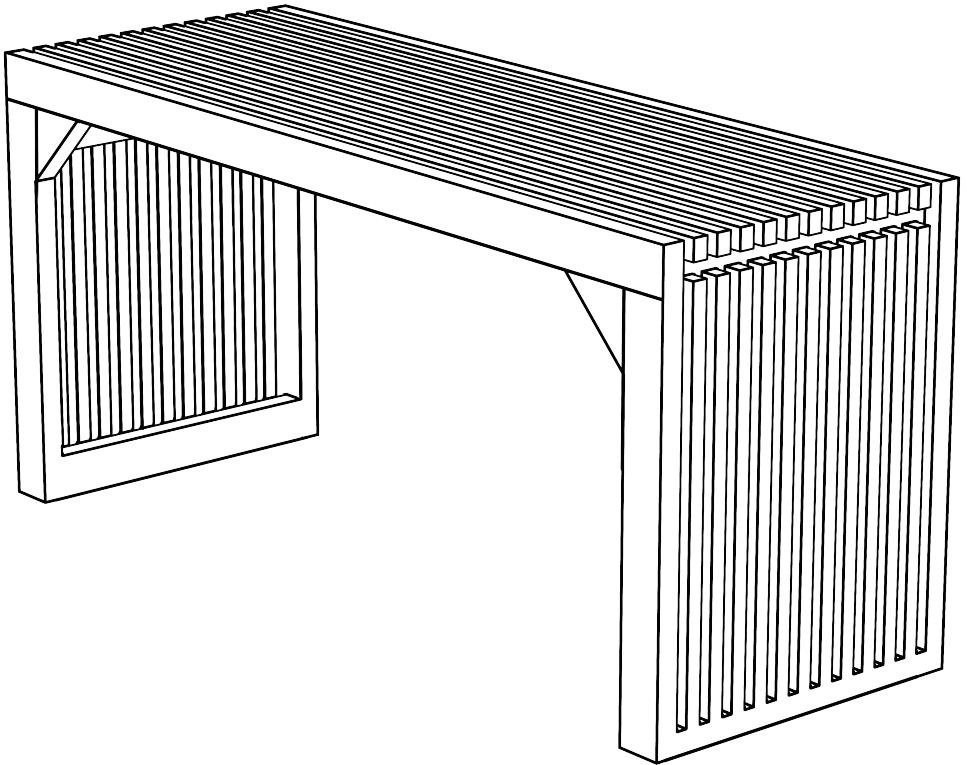








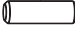

# Instruction Manual








## Wood Bench & Console Table



# PARTS LIST

- Carefully remove all the parts from the carton and place them individually on a soft cloth to prevent scratches or other damage.
- Carefully and strictly follow these assembly&installation instructions to ensure a completed product as designed.
- Do not tighten all the screws until each part is properly assembled.
- If the product is damaged, please contact our customer service.

Number	Parts	Quantity
A	 Panel	1pc
B	 Table leg	2pcs
C	 triangular fixation	4pcs
D	 Non Slip Furniture Pads	4pcs
E	 Screw Ø8*70mm	4pcs
F	 Screw Ø6*30mm	8pcs
G	 Wooden Dowel Ø8mm	4pcs
H	 Spring gasket Ø8mm	4pcs

Number	Parts	Quantity
I	 Gasket Ø8mm	4pcs
J	 Spring gasket Ø6mm	8pcs/12pcs
K	 Spring gasket Ø6mm	8pcs/12pcs
L	 Screw Ø6*25mm	4pcs
M	 Console Table triangular fixation	2pcs
O	 Allen Wrench Ø5mm	1pcs
P	 Allen Wrench Ø4mm	1pcs

Tip: The 'J' 'K' fittings are configured in different quantities depending on the size, or the latter quantity if you are purchasing the 'Console Table' style.

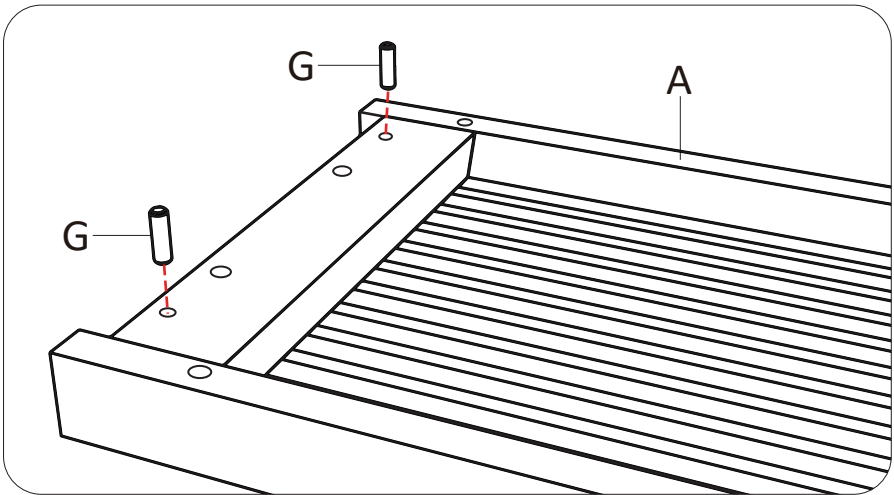
The 'L' and 'M' accessories are only available for the 'Console Table' model.

# Installation step

## STEP 1

 Don't fully tighten the screws here yet.

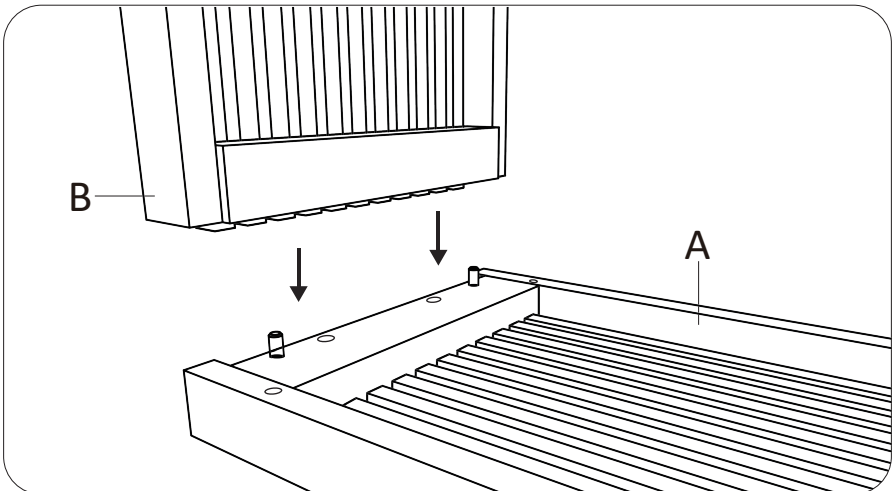
Insert "G" into the locating hole of "A".



## STEP 2

 Don't fully tighten the screws here yet.

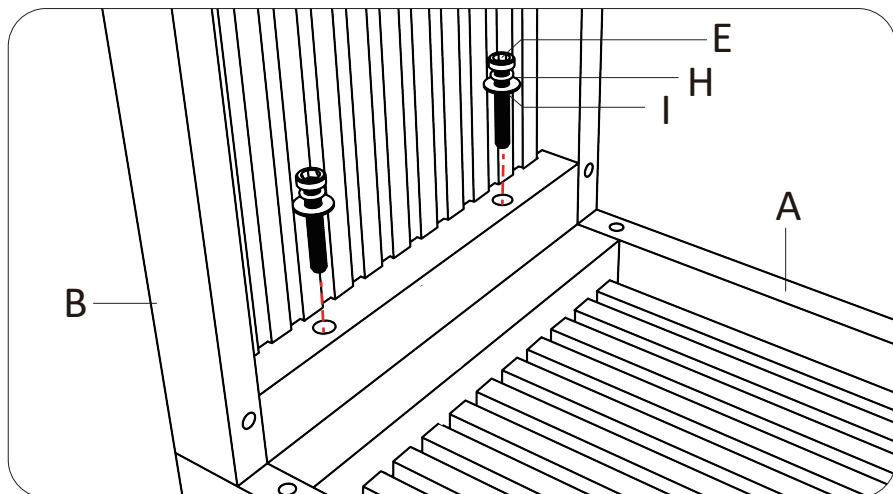
Attach "B" to the board "A".



**STEP 3**

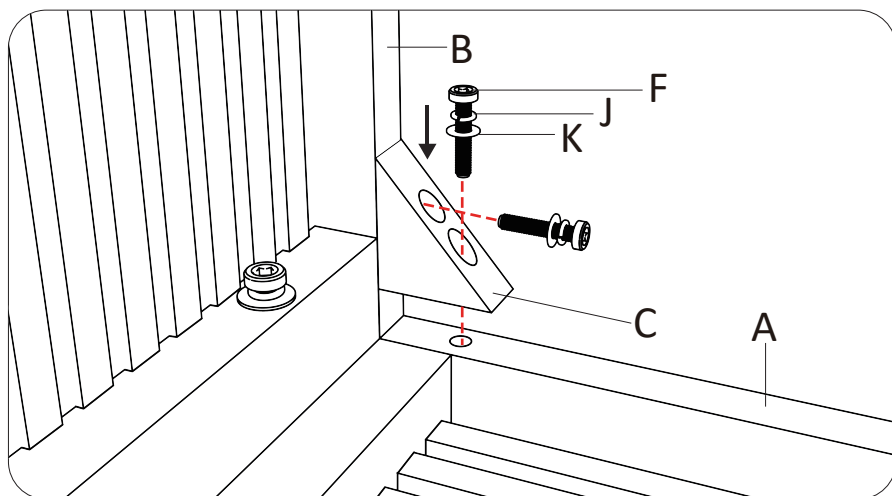
 Don't fully tighten the screws here yet.

Fixing "A" and "B" with screw connections.

**STEP 4**

 Don't fully tighten the screws here yet.

Fixed with triangular blocks.

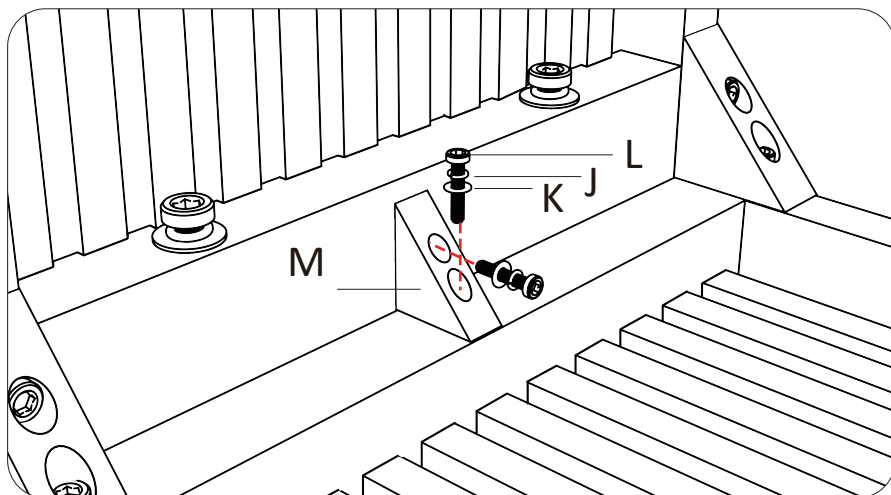


**STEP 5**

 Don't fully tighten the screws here yet.

Fixed with triangular blocks

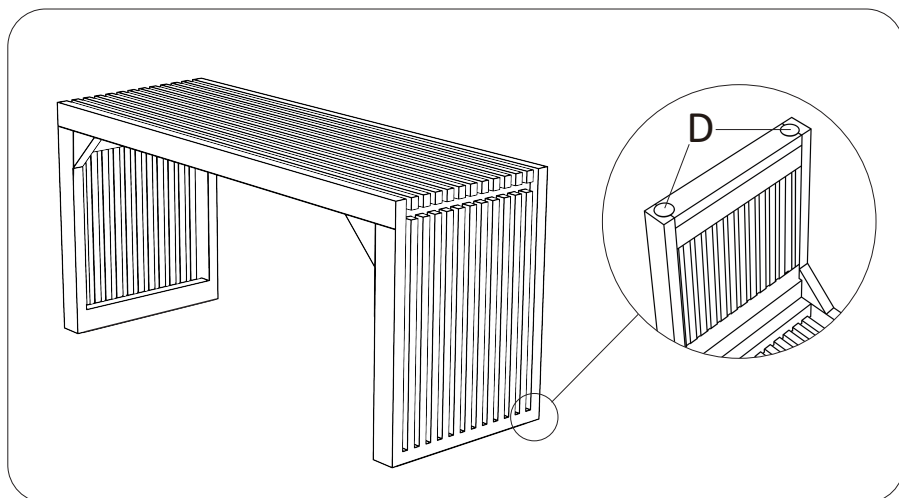
(If you are purchasing 'Console Table' model, you will also need to complete the following steps.)

**STEP 6**

 Tighten all screws.

After the installation is complete, check whether product are secured to ensure future use and safety.

We have non-slip spacers (D) that you can attach to the bottom after installation.



# AFTER-SALES SERVICE CARD

We sincerely thank you for trusting our service and our products, and may this product add enrichment to your home. We guarantee that the product has undergone strict quality inspection and meticulous packaging. If you encounter any issue regarding either shipping or the product, please feel free to contact us at any time. We'd be more than happy to serve you wholeheartedly.

Yours Sincerely

- Please avoid harsh, corrosive and abrasive cleaners.
- Keep dry and avoid damp environments.

---

If you have any questions or concerns please feel free to contact us. We're committed to providing our customers with the quality service.