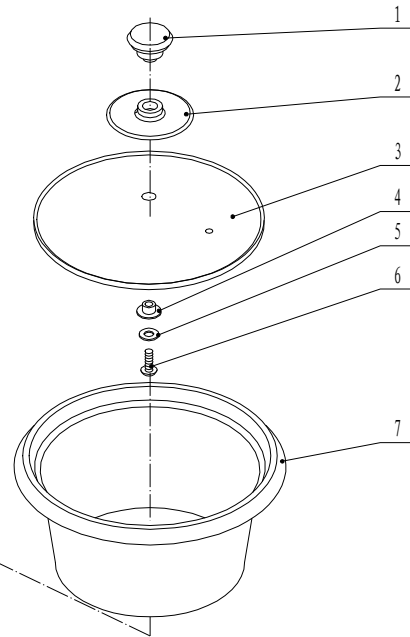
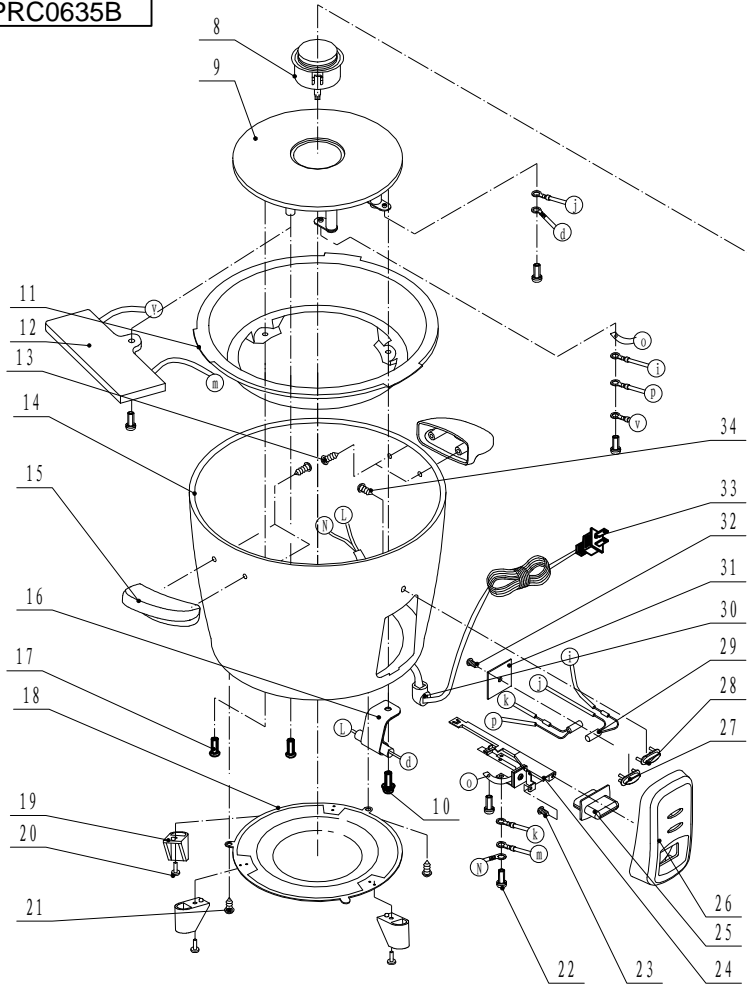


PRC0635B



34	ST4 × 8	Screw	1	Nickel plated steel		
33	HL-PC-002UL-00	Power cord	1	SPT-2/105°C/18AWGX2C		

32	ST3 × 6	Screw	1	Nickel plated steel		
31	RC-10-023	Indicator clamp	1	Glass fiber epoxy board		
30	RC-8/SC-35. UL	Cord buckle	1	Nylon		
29	RC-10-122	Indicator Lamp assembly	2			
28	RC-4-013	Lamp cover	1	PC/Orange		
27	RC-4-013	Lamp cover	1	PC/Red		
26		Panel	1	PP		
25	RC-10-012	Switch knob	1	PP		
24		Switch assembly	1			
23	ST3 × 8	Screw	2	Nickel plated steel		
22	M4 × 8	Screw assembly	3	Nickel plated steel		
21	ST4 × 10C	Screw	3	Nickel plated steel		
20	φ3 × 8	Rivet	3	Aluminum		
19	RC-10-018	Base foot	3	PP		
18	RC-3-017	Base cover	1	08F		
17	M4 × 8	Screw	3	Nickel plated steel		
16	SC-25D-R-023	Fuse clip	1	Stainless Steel		
15	RC-5-010	Handles	2	PP		
14	RC-3-009-00	Outer housing	1	08F		
13	ST4 × 12	Screw	4	Nickel plated steel		
12	RC-10L-021	Keep warm plate	1			
11	RC-3-015	Middle housing	1	08F		
10	M4 × 10	Screw assembly	2	Nickel plated steel		
9	RC-3-116 (UL)	Heating plate	1	300W		
8		Thermostat	1			
7	RC-3-008	Inner Pot	1	Aluminum alloy		
6	M6 × 18	Knob screw	1	Aluminum		
5	SC-65-0N01-01-03	Knob screw washer	1	Stainless Steel		
4	RC-10-004	Silicon	1	Silicon		
3	RC-3-003-6	Glass lid	1			
2	RC-8E003-002	Covering	1	PP		
1	RC-8E003-001	Lid knob	1	PP		

序号	代号	名称	数量	材料	单件重量	总计重量	备注
PRC0635							
Explored Drawing							
PRC0635B				比例			
共 1 张				第 1 张			