



ASSEMBLY INSTRUCTIONS

Pour le français, voir la page 2. Para el español, ver la página 3.

FRONT ADJUST® BASKETBALL SYSTEM

MODEL 90599

BEFORE ASSEMBLY:

- Requires at least 493 lb (224 kg) of cement mix to fill a volume of 3.7 ft³ (0,105 m³).
- Requires, at least, 3 days for concrete to cure, plus 3–4 hours to complete assembly steps.
- At least 2 people recommended for setup.



WATCH THE INSTRUCTIONAL VIDEO ON YOUTUBE




Scan the code, or visit go.lifetime.com/90599-fullassembly

YouTube® and the YouTube logo are trademarks of Google, LLC.

Save this instruction in the event that the manufacturer must be contacted for replacement parts.

TOOLS REQUIRED













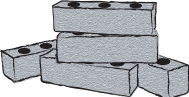



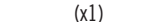
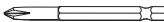
 1/2" (≈13mm) (x2)	 7/16" (≈11mm) (x1)	 9/16" (≈14mm) (x2)	 3/4" (≈19mm) (x2)	 (x1)
 (x1)	 (x1)	 (x1)	 (x1)	 (x1)
 (x1)	 Concrete mix 493 lb (≈224kg)	 Bricks (x8–10)	 (x1)	 (x1)
 (x1)	 (x1)	 (x1)		

TABLE OF CONTENTS

Icon legend.....	2
Warnings & notices.....	3
Initial setup.....	4
Pole assembly.....	10
Backboard-to-rim assembly.....	14
Backboard-to-pole assembly.....	18
Parts identifier.....	i–iv
Handle assembly.....	23
Final assembly.....	30
Maintenance.....	35
Warning sticker.....	36
Registration.....	38
Warranty.....	39

QUESTIONS?

Dial 1-800-225-3865

CONTACT LIFETIME CUSTOMER SERVICE:

Live Chat:
www.lifetime.com/customerservice/home
(Click on the "LIVE CHAT" tab)

For Customer Service in Mainland Europe
and the United Kingdom,
E-mail: csinternational@lifetime.com

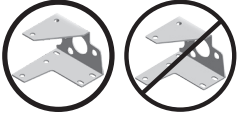
Model Number: 90599
Product ID:



ICON LEGEND



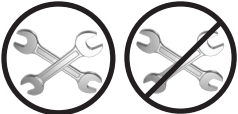
- Indicates special heed should be taken when reading.



- Indicates the parts to be used for a section or that no parts will be required for a specific section.



- Indicates the hardware to be used for a section or that no hardware is required for a specific section or page.



- Indicates the tools to be used for a section or that no tools are required for a specific page.



- Indicates to use an electric drill or to not use an electric drill for a specific step.



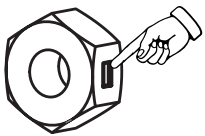
- These nuts are centerlock nuts. The rectangular indent prevents the nut from loosening on its own. They are designed to be tight; therefore, they will be harder to tighten. Tighten only until flush with the metal or plastic.



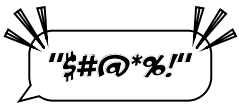
- Indicates the number of adults required for a specific step, i.e., 2, 3, 4, etc.



- Indicates to repeat a step or an action.



- Indicates the use of a centerlock nut. A nut with this marking will require some effort to tighten. This hardware was designed with this feature in order to prevent loosening later.



- Indicates a specific step is harder to perform.



- Indicates to tighten the hardware only by hand until instructed otherwise.



WARNINGS & NOTICES



SAFETY INSTRUCTIONS



FAILURE TO FOLLOW THESE WARNINGS MAY RESULT IN SERIOUS INJURY OR PROPERTY DAMAGE AND WILL VOID WARRANTY.

Owner must ensure that all players know and follow these rules for safe operation of the system.

To ensure safety, do not attempt to assemble this product without following the instructions carefully. Check entire box and inside all packing material for parts and/or additional instruction material. Before beginning assembly, read the instructions and identify parts using the hardware identifier and parts list in this document. Proper and complete assembly, use and supervision are essential for proper operation and to reduce the risk of accident or injury. A high probability of serious injury exists if this product is not installed, maintained, and operated properly.

- If using a ladder during assembly, use extreme caution.
- Two capable adults are recommended for this operation.
- Check base daily for leakage. Leaks will cause system to fall.
- Assemble the pole sections properly. Failure to do so could cause the pole sections to separate during play or transport.
- Minimum operational height is 6 ft 6 in (1.98m) to the bottom of the backboard.

Most injuries are caused by misuse and/or not following instructions. Use caution when using this product.

1

INITIAL SET UP

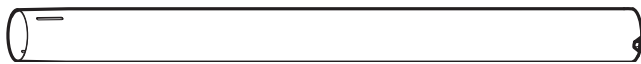


HARDWARE REQUIRED



PARTS REQUIRED

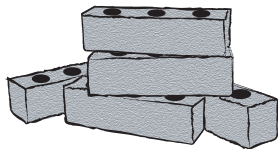
Metal Parts



ALE (x1)



TOOLS REQUIRED



Bricks
(x8-10)



60-lb bags (≈x9)
(493 lb) (≈223,6 kg)

Concrete mix



(x1)



(x1)



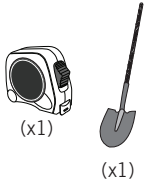
(x1)



(x1)

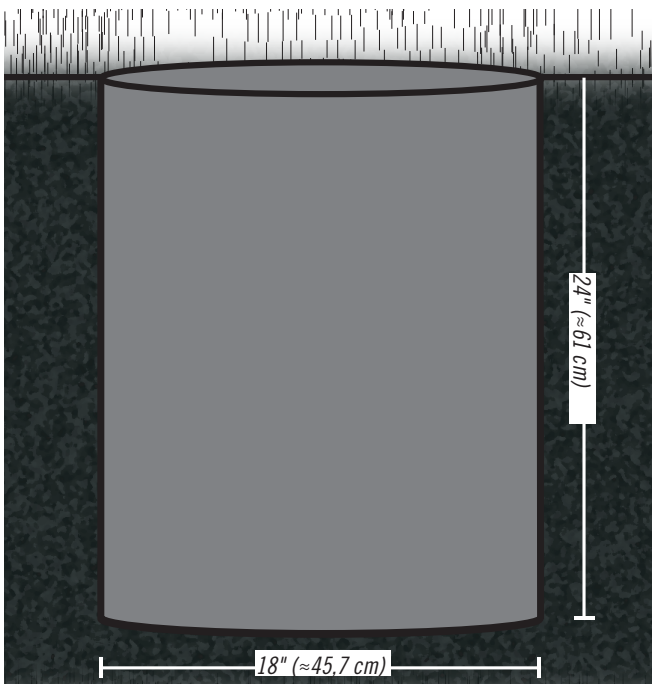
► SECTION 1 (CONTINUED)

TOOLS AND HARDWARE REQUIRED



1.1

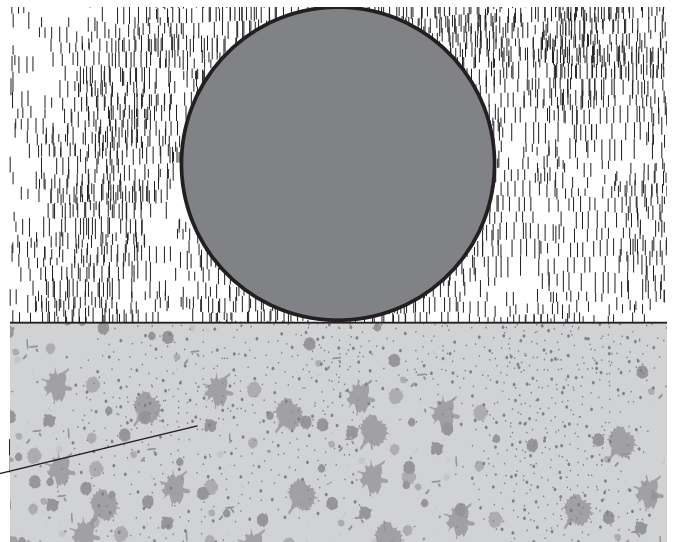
- **IMPORTANT!** Dig a round hole 24" (≈ 61 cm) deep and 18" (≈ 45.7 cm) in diameter. If you live in an area where frost heaves may pose a problem, consult your local building inspector to determine the proper hole depth. **The edge of the hole should be flush with the edge of the playing surface.**



Side view



- The edge of the 18" (≈ 45.7 cm) diameter hole should touch the edge of the playing surface.



Top view



CAUTION

- Before digging, call to locate any buried utility lines.
- Avant de creuser, appelez pour localiser des utilités publiques enterrées.
- Antes de cavar, llame para localizar las conexiones de servicios públicos subterráneas.



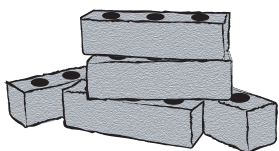
- A ground sleeve is available as an alternative to cementing the pole into the ground. Please contact Customer Service for more information.

SECTION 1 (CONTINUED)

TOOLS AND HARDWARE REQUIRED



(x1)



Bricks (x8-10)



1.2

- Stack bricks or patio blocks in the hole so the top of the stack measures 9.5" ($\approx 24,1$ cm) from the bottom of the hole (Fig. 1). The edge of the bricks should be about 2 1/2" (≈ 7 cm) from the playing surface (Fig. 2).

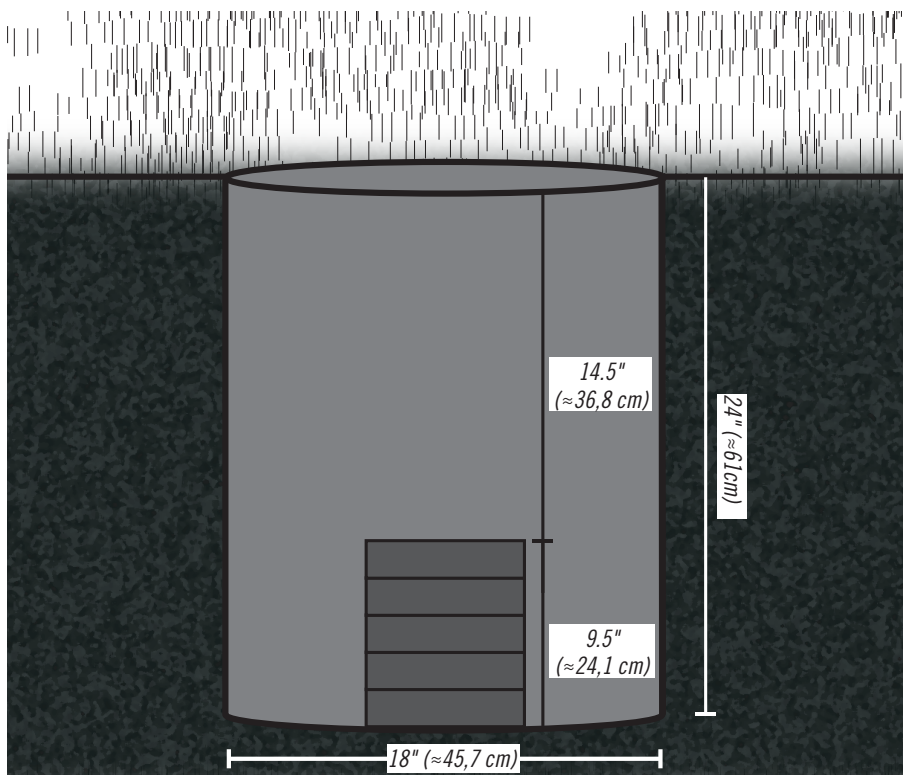


Fig. 1

Side view

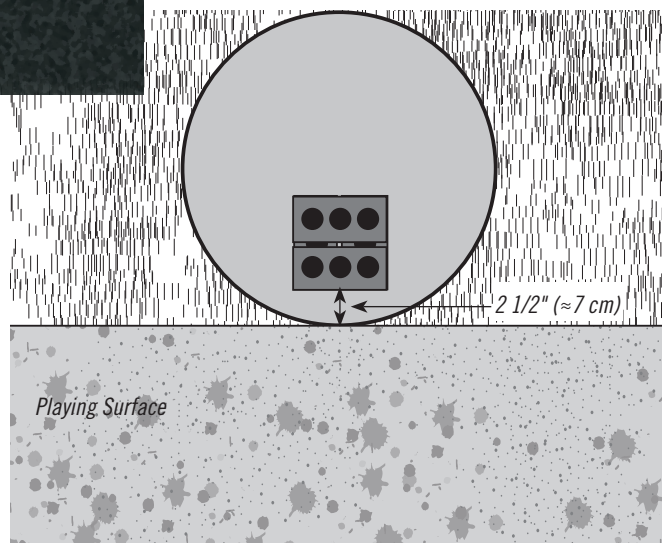


Fig. 2

Top view

► SECTION 1 (CONTINUED)

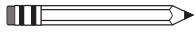
TOOLS AND HARDWARE REQUIRED



(x1)



420 lb (191 kg)



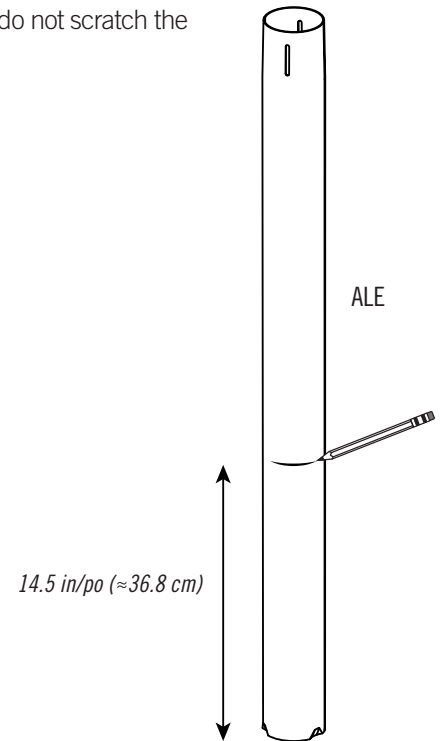
(x1)

Concrete mix



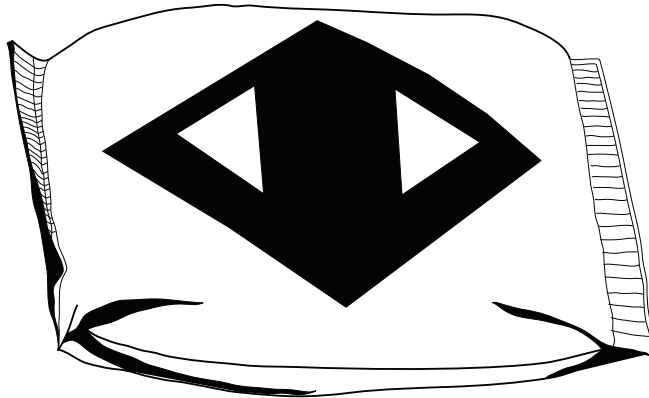
1.3

- Make a mark 14.5" (≈ 36.8 cm) from the dimpled end of the **bottom pole (ALE)** (do not scratch the powder coating). **Please, keep in mind this step when performing the next.**



1.4

- Mix the concrete, following the directions on the bag.



60-lb bag ($\approx x9$)
(493 lb ($\approx 223,6$ kg))
Concrete mix

SECTION 1 (CONTINUED)

TOOLS AND HARDWARE REQUIRED



(x1)



(x1)



1.5



- Set the bottom of the bottom pole onto the bricks or patio blocks. The 14.5" (≈ 36.8 cm) mark on the pole should be flush with the playing surface (Fig. 1). If it is not flush, the system will not adjust to the correct heights. The edge of the pole should be 4" (≈ 10.2 cm) from the playing surface (Fig. 2) to ensure the backboard overhangs the playing surface. If it is not, adjust it.

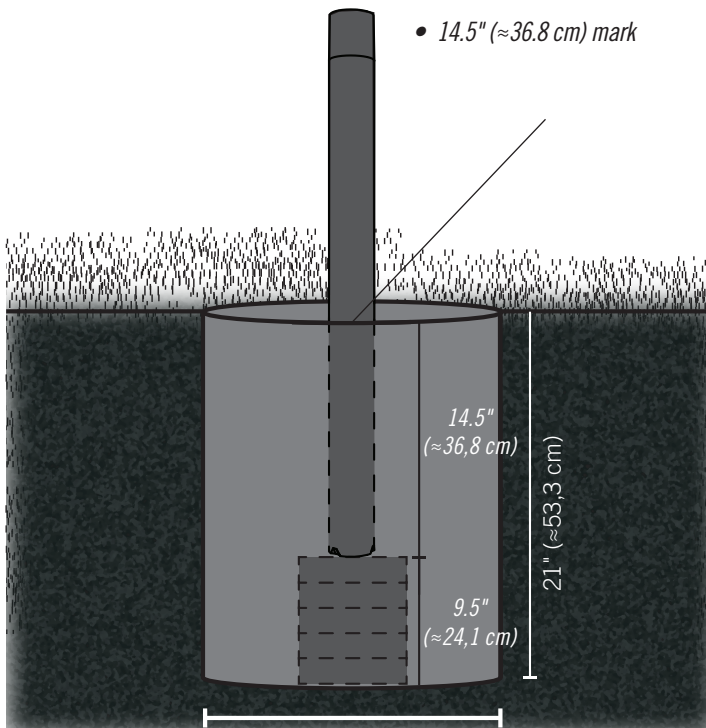


Fig. 1

18" ($\approx 45,7$ cm)

Side view

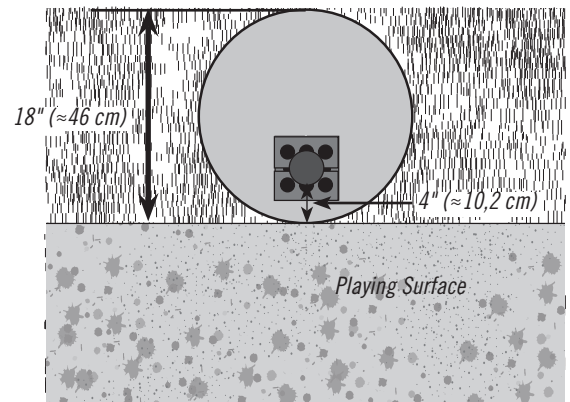


Fig. 2



- Use a level to ensure the bottom pole is standing vertical. Form the cement into a downward slope away from the pole to allow water runoff. Failure to do so may result in premature rusting of the pole.



► SECTION 1 (CONTINUED)

TOOLS AND HARDWARE REQUIRED



(x1)



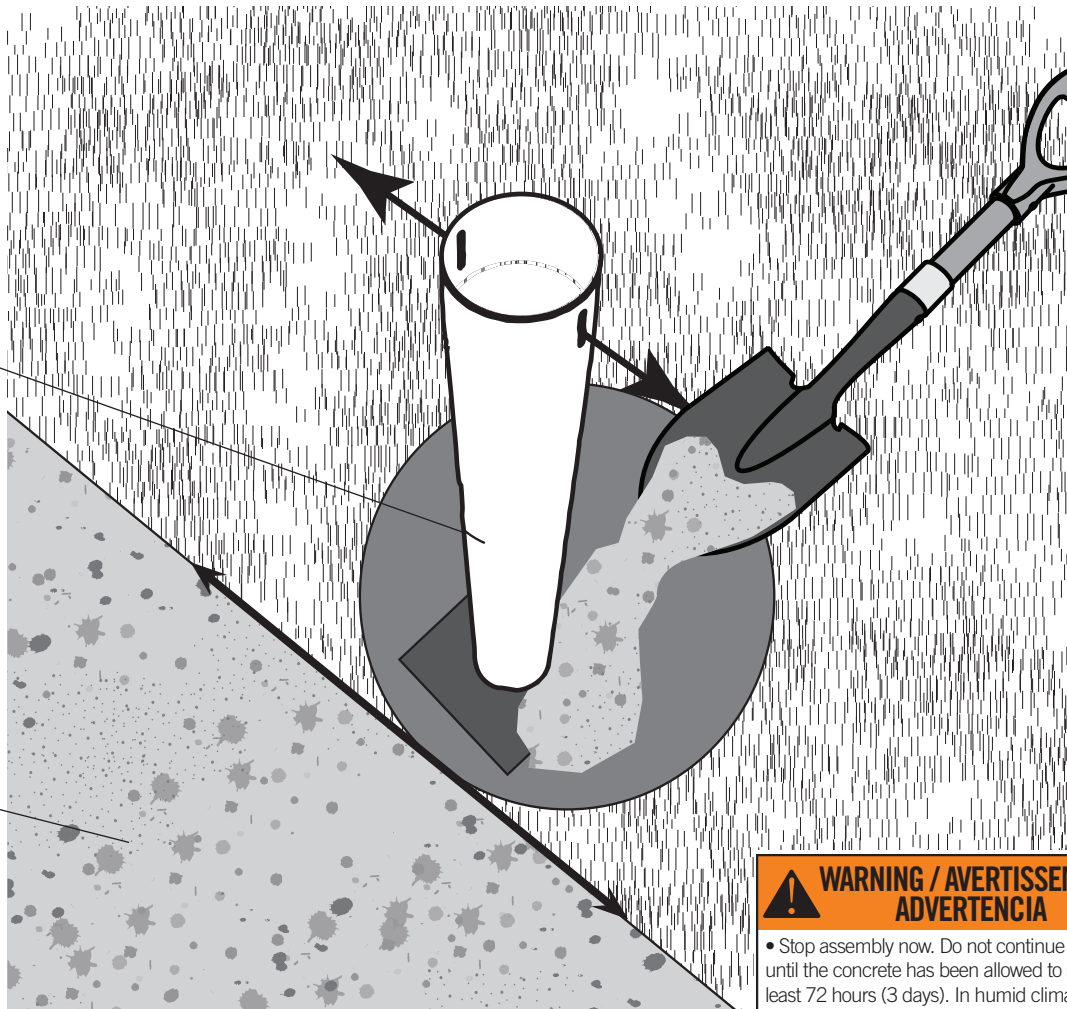
1.6



- The slots at the top of the bottom pole must be parallel to the playing surface. Turn the pole, if necessary. Pour the mixed concrete into the hole until it is filled to the level of the playing surface and the 14.5" ($\approx 36,8$ cm) mark on the pole. Form the concrete into a downward slope away from the pole to allow for runoff. Allow the concrete to cure for 72 hours.

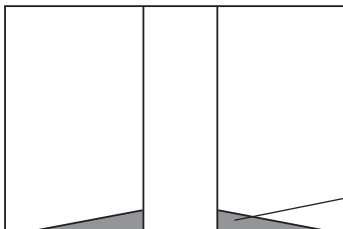
14.5" ($\approx 36,8$ cm) mark

Playing surface



⚠ WARNING / AVERTISSEMENT ⚠ ADVERTENCIA

- Stop assembly now. Do not continue the assembly until the concrete has been allowed to set for at least 72 hours (3 days). In humid climates or wet weather, allow more time for the concrete to cure. Do not proceed until the curing process is complete.
- Ne pas continuer l'assemblage jusqu'à ce que le béton ait été permis durcir, au moins, 72 heures (3 jours). Sous les climats humides, laisser plus de temps pour que le béton durcisse. Ne pas continuer jusqu'à ce que le durcissement soit complète.
- Pausar el ensamblaje ahora. No continuar el ensamblaje hasta que el concreto haya sido permitido curar, por lo menos, 72 horas (3 días). En climas húmedos, dejar más tiempo a que el concreto se cure. No continuar hasta que el endurecimiento se termine.



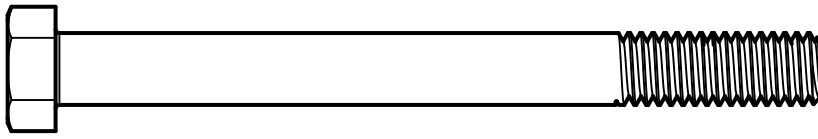
Downward slope

2

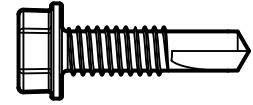
POLE ASSEMBLY



HARDWARE REQUIRED



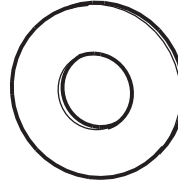
ABE (x2)



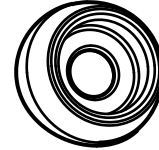
ABZ (x2)*



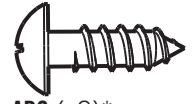
ABR (x2)



AAF (x2)



CIH (x2)*



ADS (x2)*

*Note: Only one #14 x 1" self-tapping screw (ABZ), one domed countersink washer (CIH) and one 1/4" x 3/4" pan-head screw (ADS) will be used for this section. Save the remaining hardware for later in the assembly.

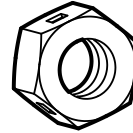


ABB (x2)

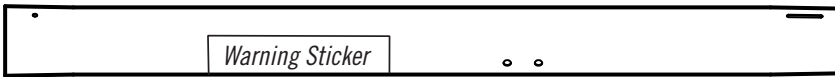


PARTS REQUIRED

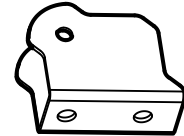
Metal Part



ALH (x1)



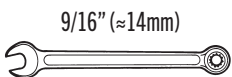
ALF (x1)



ALL (x1)



TOOLS REQUIRED



9/16" (≈14mm)

(x2)

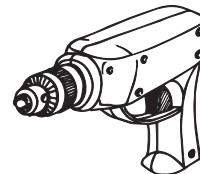


(x1)

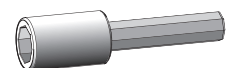


Scrap Wood

(x1)



(x1)

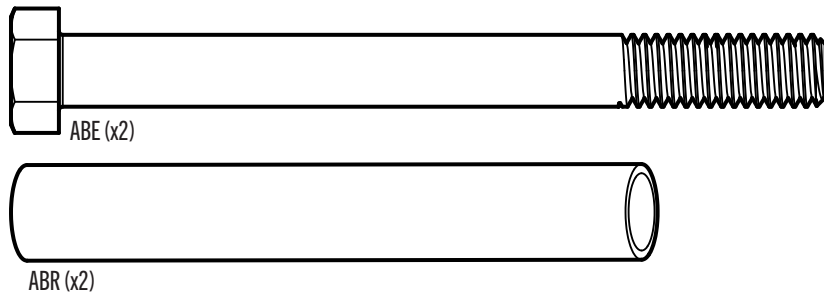


3/8" Nut Driver

(x1)

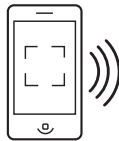
▶ SECTION 2 (CONTINUED)

TOOLS AND HARDWARE REQUIRED



- In case of any troubles with this section, scan the code below to view a video on its assembly.

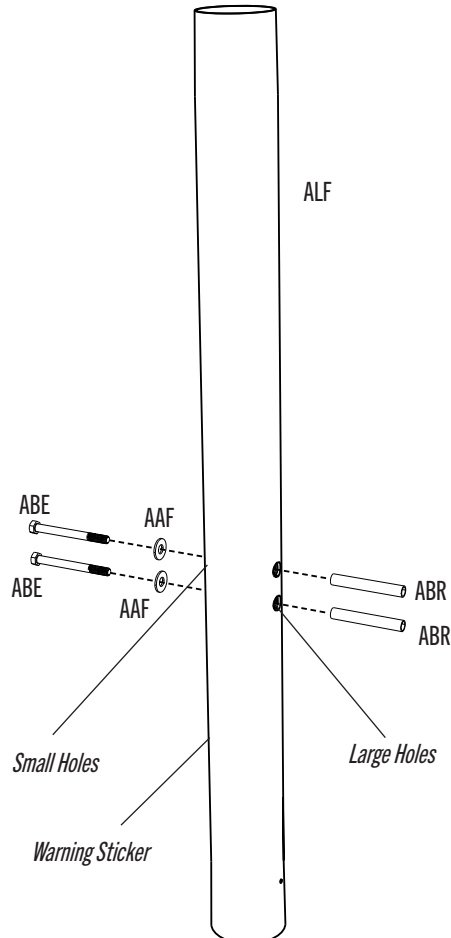
 YouTube



- <http://go.lifetime.com/90599-section2>

2.1

- Insert the **bolts (ABE)** with the **washers (AAF)** into the **middle pole (ALF)** as shown. Then slide the **spacers (ABR)** onto the hex bolts.



SECTION 2 (CONTINUED)

TOOLS AND HARDWARE REQUIRED

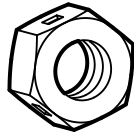
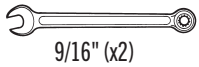
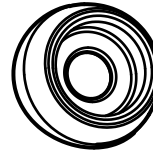


ABB (x2)



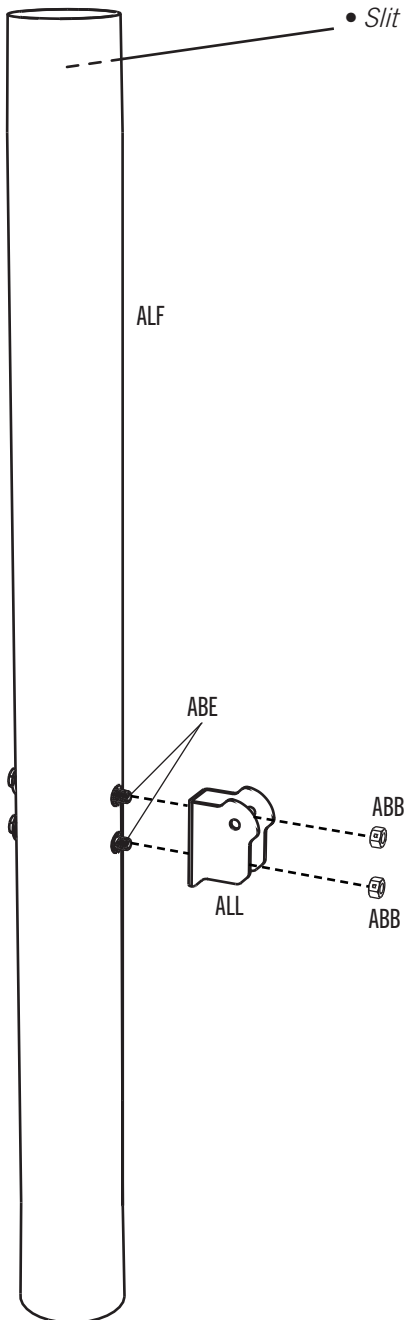
ADS (x1)



CIH (x1)

2.2

- Place the **pole bracket (ALL)** onto the **bolts (ABE)**, and attach it to the **middle pole (ALF)** with the hardware shown. **The slit is at the top of the pole.**

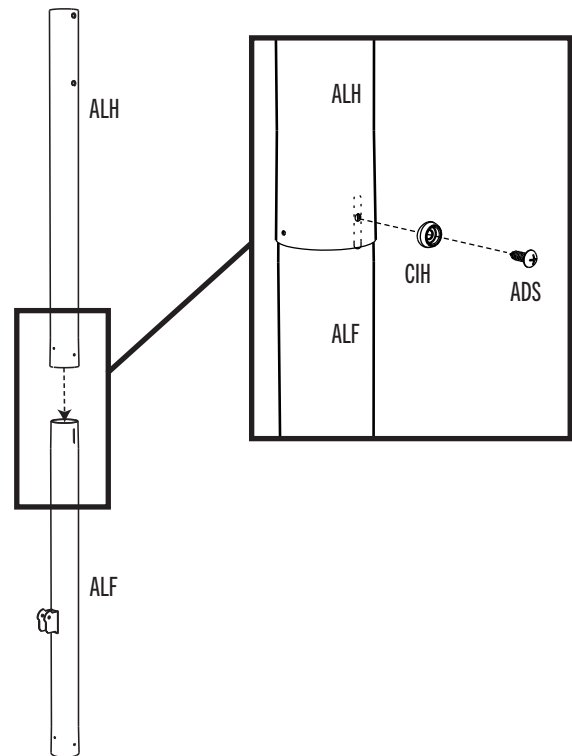


2.3

- Align the hole in the **top pole (ALH)** with the slot in the **middle pole (ALF)** and slide the top pole over the middle pole. Insert a **screw (ADS)** through a **domed countersink washer (CIH)**, into the small hole in the top pole, and into the slot in the middle pole as shown. The screw head should fit into the countersink washer.

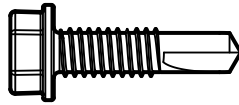
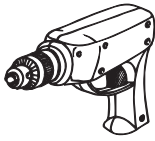


- This screw is used only to keep the poles aligned in a specific way so the system assembles properly. The screw should be flush with the domed countersink and the domed countersink with the pole. The screw will spin freely once installed. The screws in steps 2.5 and 6.6 keep the poles from separating. **Do not jam the poles together until instructed.***



► SECTION 2 (CONTINUED)

TOOLS AND HARDWARE REQUIRED



ABZ (x1)

2.4

ATTENTION: THIS STEP CANNOT BE REVERSED!

- In order to seat the poles, strike each end of the pole very hard five to six times on a piece of scrap wood or cardboard. This must be done even if the top pole covers the slot in the middle pole before seating has occurred. If the **top pole (ALH)** does not completely cover the slot on the **middle pole (ALF)** after seating, **DO NOT COMPLETE ASSEMBLY**. Call our Customer Service Department.



- *Do not hit your feet with the pole sections, as serious injury could occur.*



WARNING

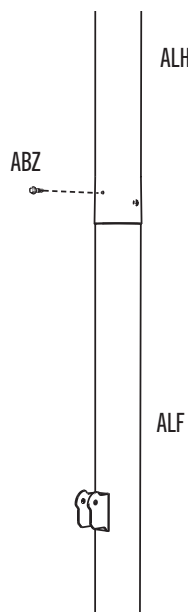
The poles must be seated together! Even if the poles cover the slots before seating, they still must be struck on a hard surface five to six times! Failure to seat the poles correctly could allow the poles to separate during use, leading to serious personal injuries or property damage.

2.5

- After the poles have been seated, insert a **self-tapping screw (ABZ)** into the back of the pole as shown.



- **THE SCREWS (ABZ) ARE DESIGNED TO DRILL INTO THE METAL OF THE UNDERLYING POLE.** For ease of installation, chuck the self-drilling screws directly into the drill, or use a 3/8 in. (10 mm) hex driver.



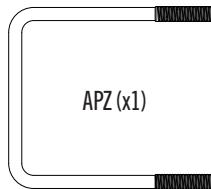
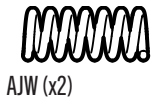
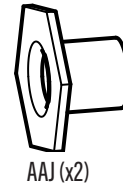
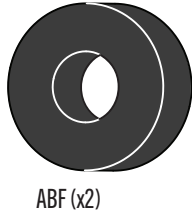
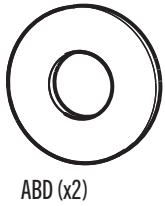
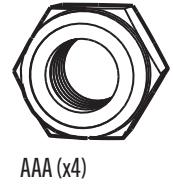
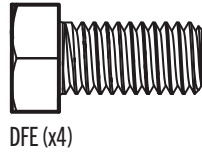
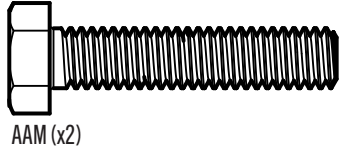
3

BACKBOARD-TO-RIM ASSEMBLY



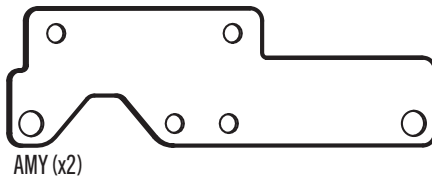
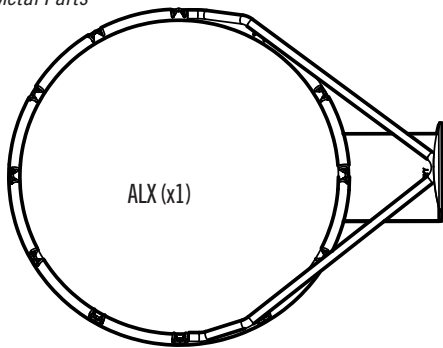
HARDWARE REQUIRED

Hardware Bag

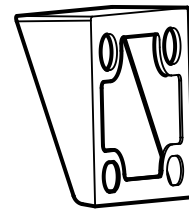
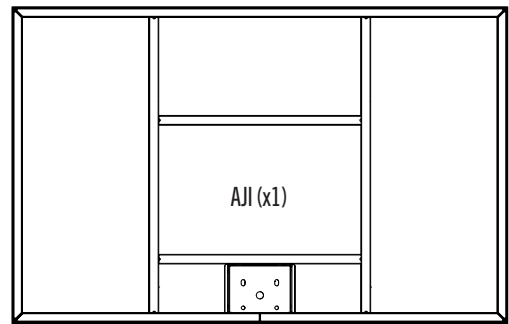


PARTS REQUIRED

Metal Parts

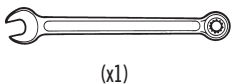


Plastic Parts



TOOLS REQUIRED

1/2" (≈13mm)



(x1)

9/16" (≈14mm)

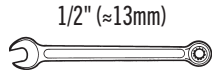


(x2)



SECTION 3 (CONTINUED)

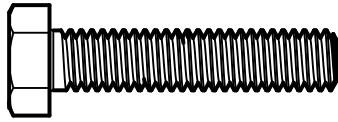
TOOLS AND HARDWARE REQUIRED



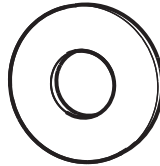
(x2)



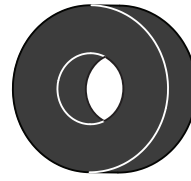
(x1)



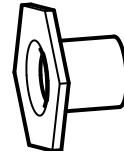
AAM (x2)



ABD (x2)



ABF (x2)

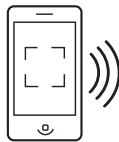


AAJ (x2)



- In case of any troubles with this section, scan the code below to view a video on its assembly.

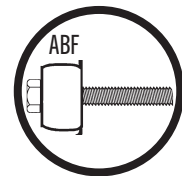
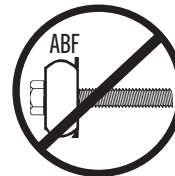
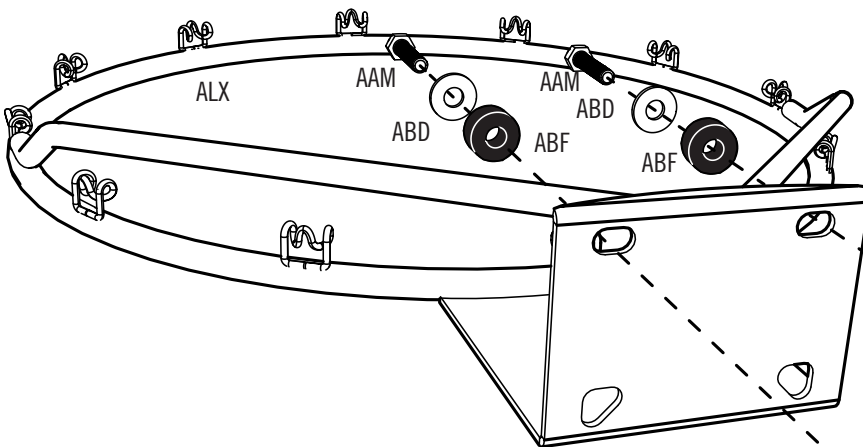
 YouTube



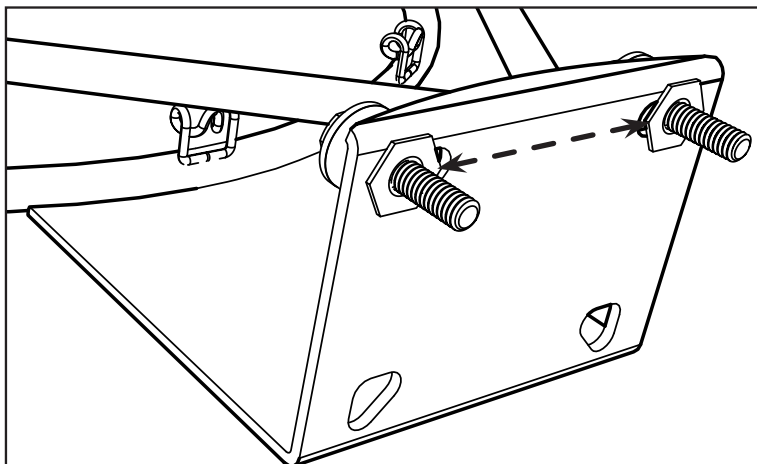
- <http://go.lifetime.com/90599-section3>

3.1

- Insert two bolts (AAM) with washers (ABD) and rubber washers (ABF) through the holes indicated in the back of the rim (ALX) as shown. Secure the hardware with two T-nuts (AAJ).



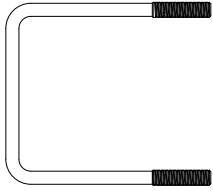
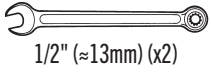
- Do not overtighten the hardware so much that the rubber washers bulge as shown.



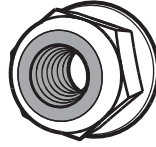
- Ensure that the tap bolts (AAM) are positioned on the outside edge of the holes as shown.

► SECTION 3 (CONTINUED)

TOOLS AND HARDWARE REQUIRED



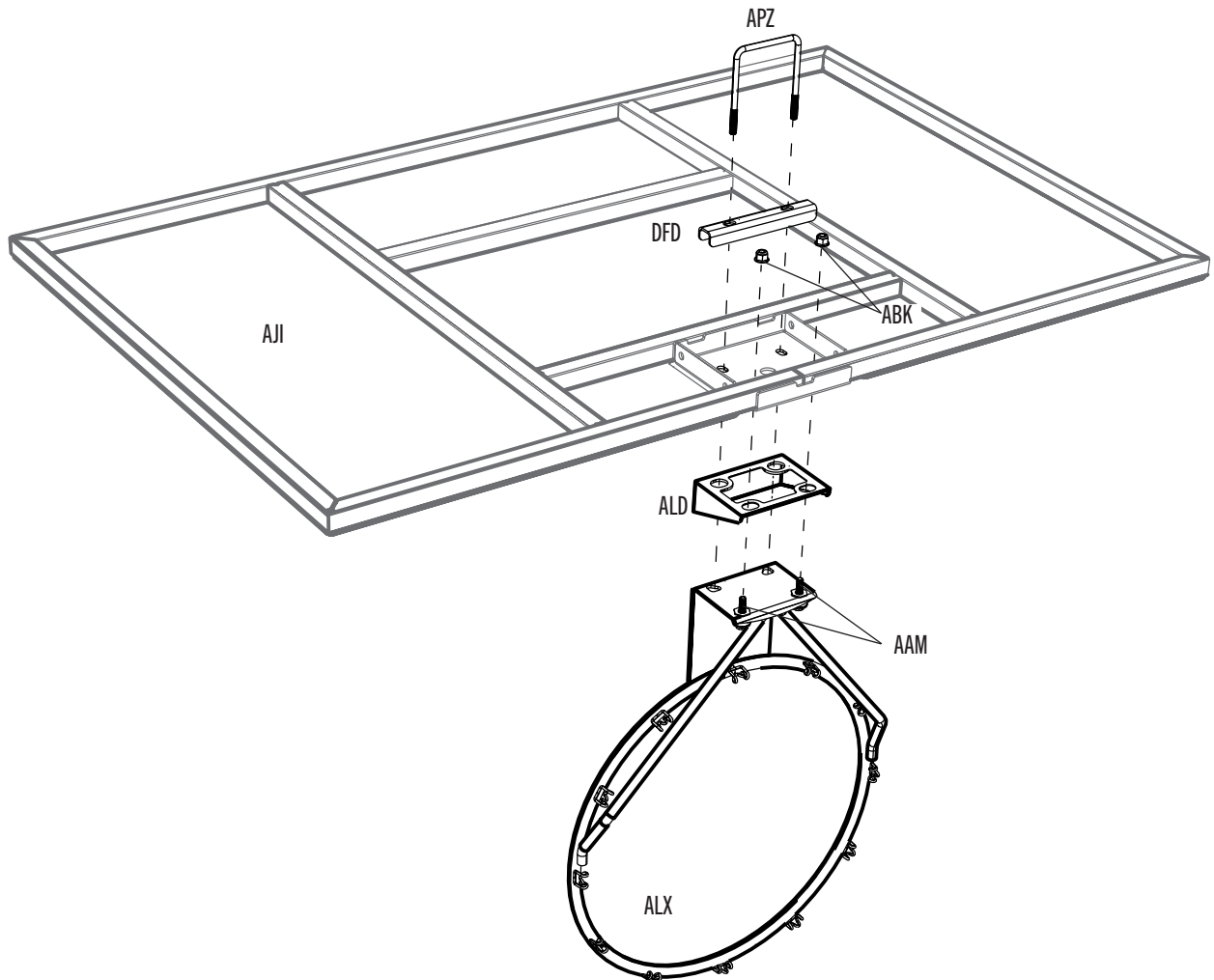
APZ (x1)



ABK (x2)

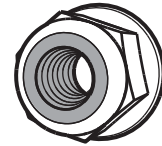
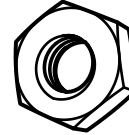
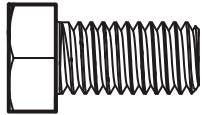
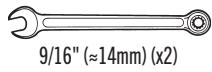
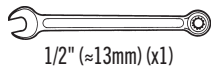
3.2

- It's easier to perform the steps in this section with a table underneath the backboard. Connect the rim (ALX) and plastic guard (ALD) to the backboard (AJI) with the part and hardware indicated. Secure the flange nuts (ABK) onto the tap bolts (AAM).



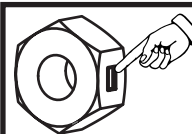
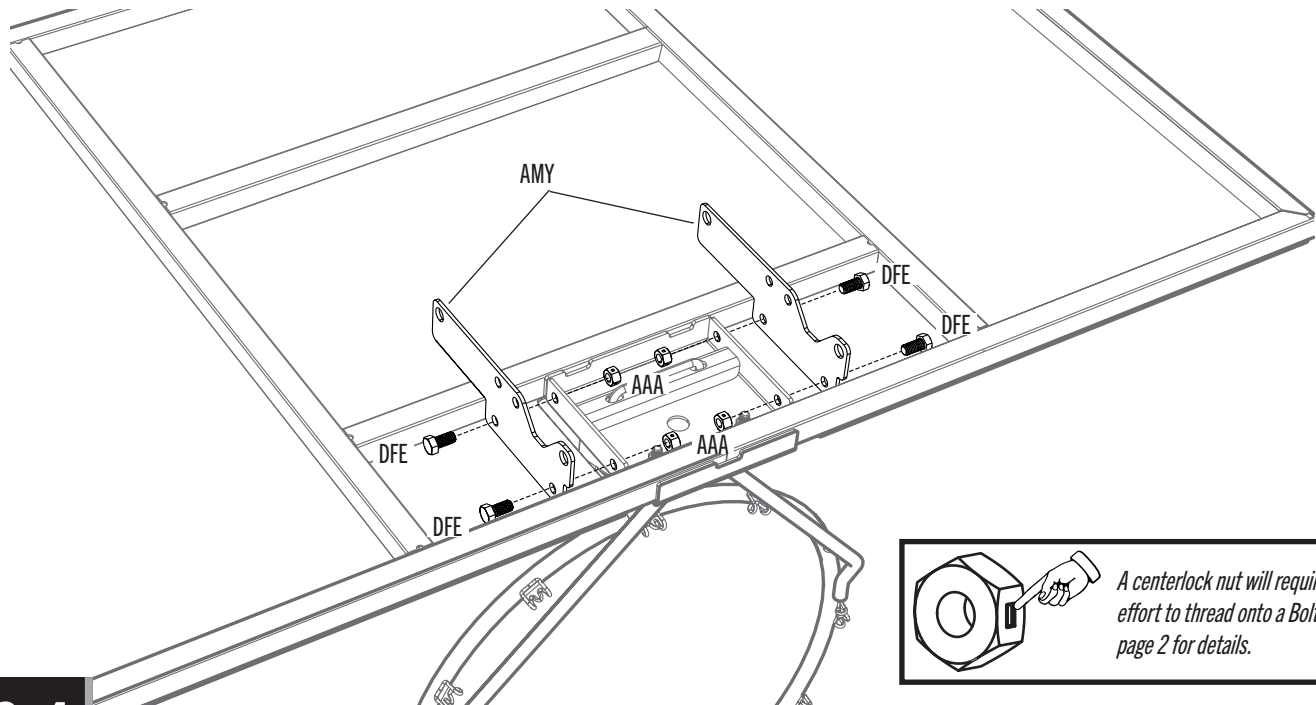
SECTION 3 (CONTINUED)

TOOLS AND HARDWARE REQUIRED



3.3

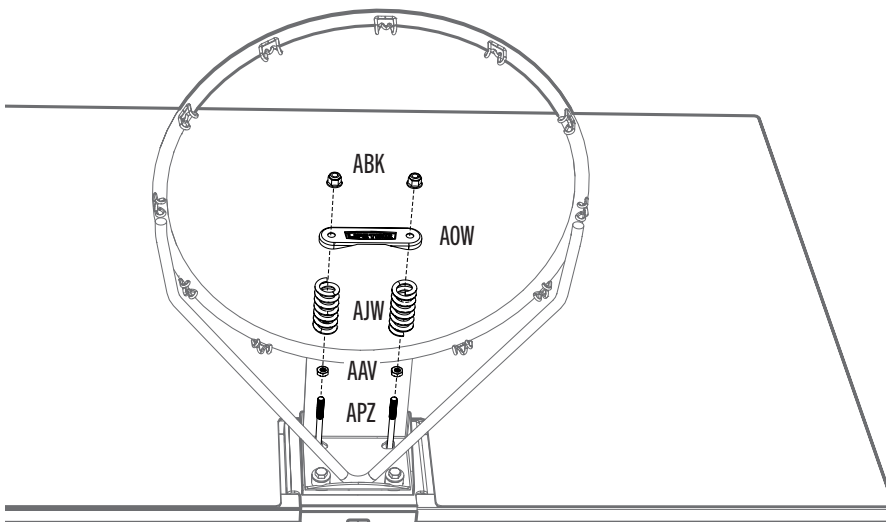
- Attach the **backboard brackets (AMY)** to the backboard using the hardware indicated.



A centerlock nut will require some effort to thread onto a Bolt. See page 2 for details.

3.4

- Turn the backboard assembly over. Thread the **jam nuts (AAV)** onto each end of the **U-bolt (APZ)** as far as they will go. Slide the **compression springs (AJW)** onto the U-bolt, and place the **spring retainer plate (AOW)** over the compression springs. Secure the plate to the springs with the hardware shown.



- **DO NOT COMPLETELY TIGHTEN THE NUTS (ABK) IN THIS STEP!** Only tighten the nuts until the rim does not wobble. Tightening the nuts will adjust the rim tension.

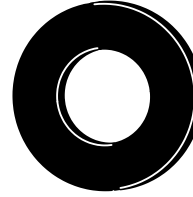
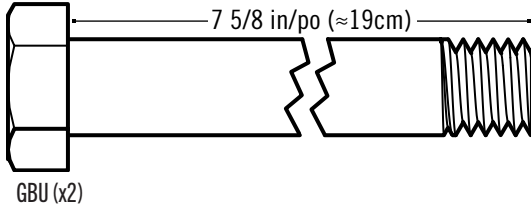
4

BACKBOARD-TO-POLE ASSEMBLY

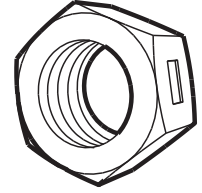


HARDWARE REQUIRED

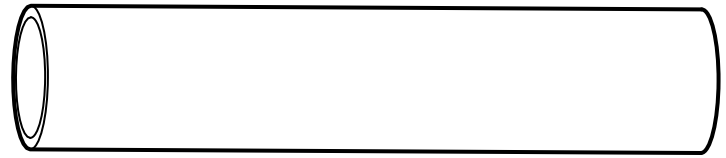
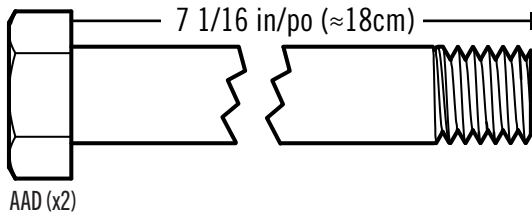
Hardware Bag



ABN (x8)



AAX (x4)



DGA (x2)

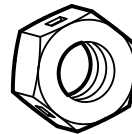
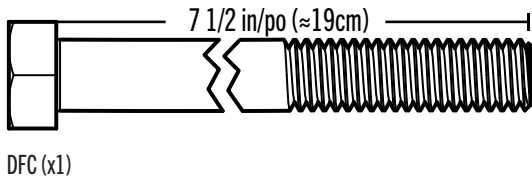
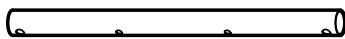


ABB (x1)

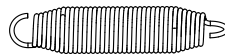


PARTS REQUIRED

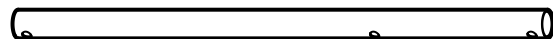
Metal Parts



AKC (x2)



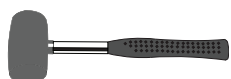
AJY (x2)



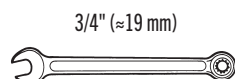
AKB (x2)



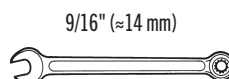
TOOLS REQUIRED



(x1)



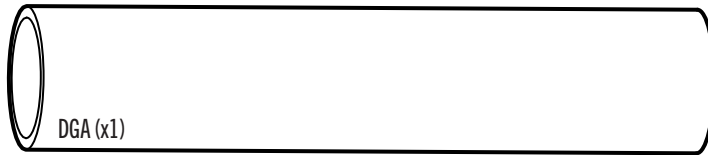
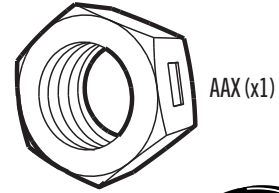
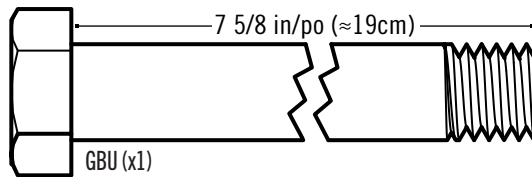
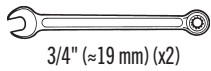
(x2)



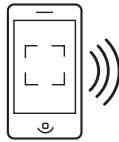
(x2)

SECTION 4 (CONTINUED)

TOOLS AND HARDWARE REQUIRED



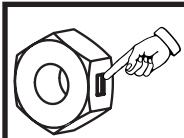
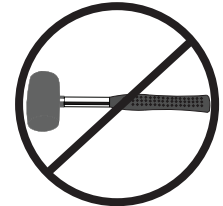
• In case of any troubles with this section, scan the code below to view a video on its assembly.



• <http://go.lifetime.com/90599-section4>

4.1

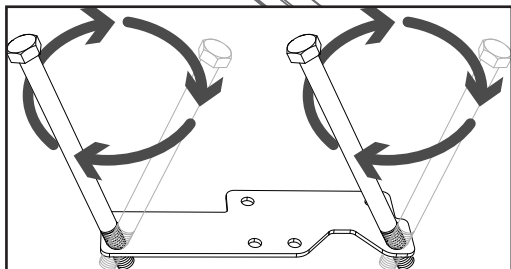
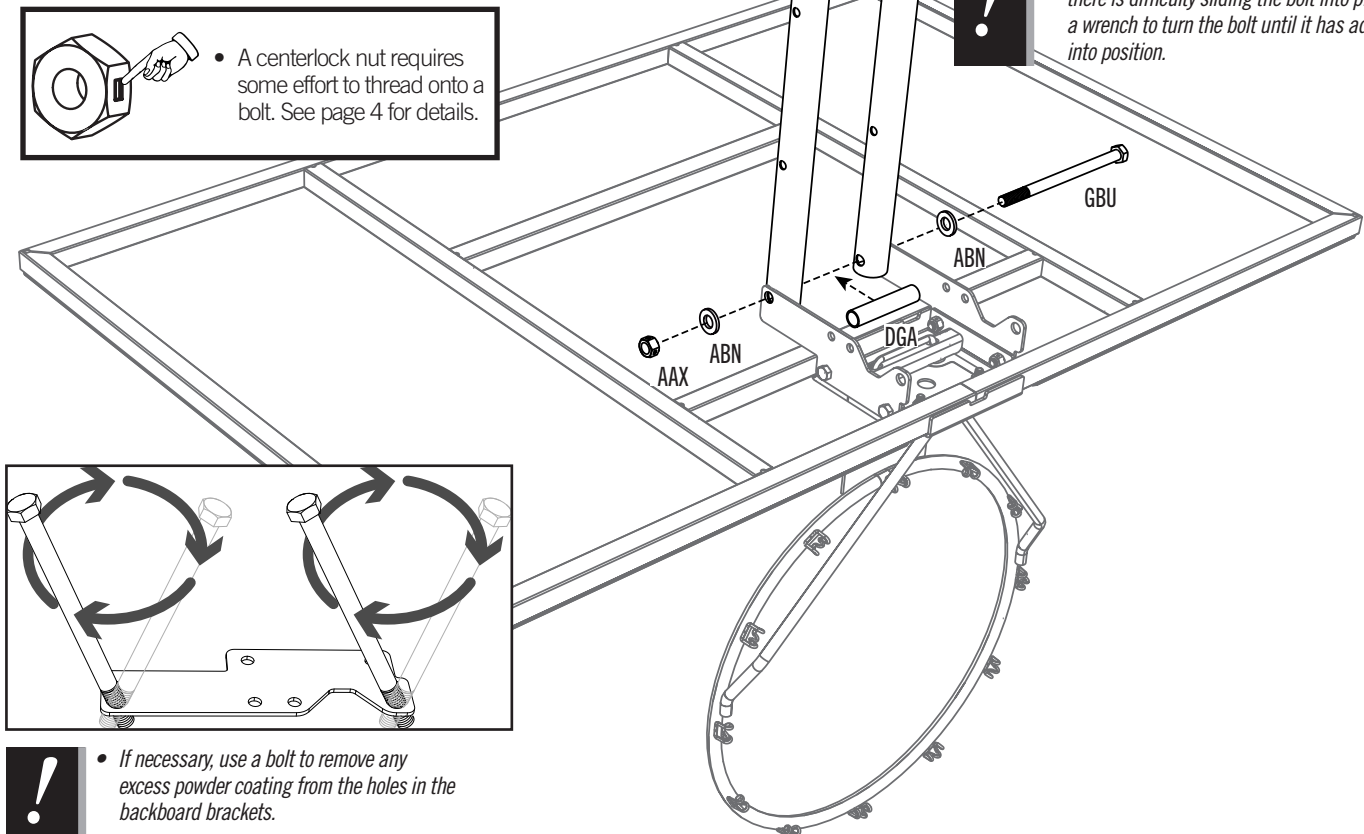
- It's easier to perform many of the steps in this section when using a table or the grass as a work surface. Attach the **short extension arms (AKC)** to the backboard brackets in the location shown with the hardware indicated. **Secure only by hand at this point. DO NOT use a mallet for this step.**



- A centerlock nut requires some effort to thread onto a bolt. See page 4 for details.



- **DO NOT** strike this bolt (GBU) with a mallet! If there is difficulty sliding the bolt into place, use a wrench to turn the bolt until it has advanced into position.



- If necessary, use a bolt to remove any excess powder coating from the holes in the backboard brackets.

SECTION 4 (CONTINUED)

TOOLS AND HARDWARE REQUIRED

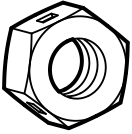
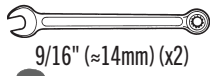
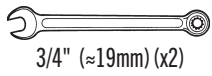
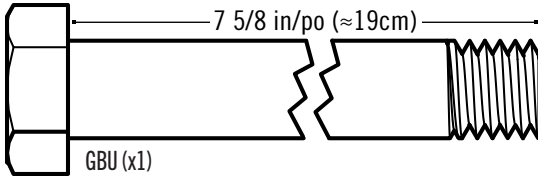


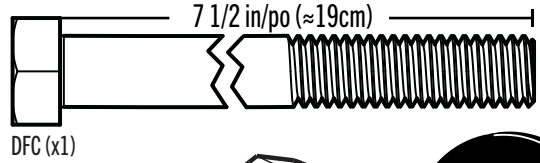
ABB (x1)



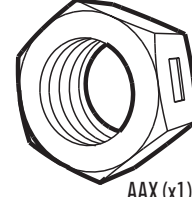
GBU (x1)



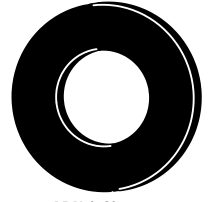
DGA (x1)



DFC (x1)



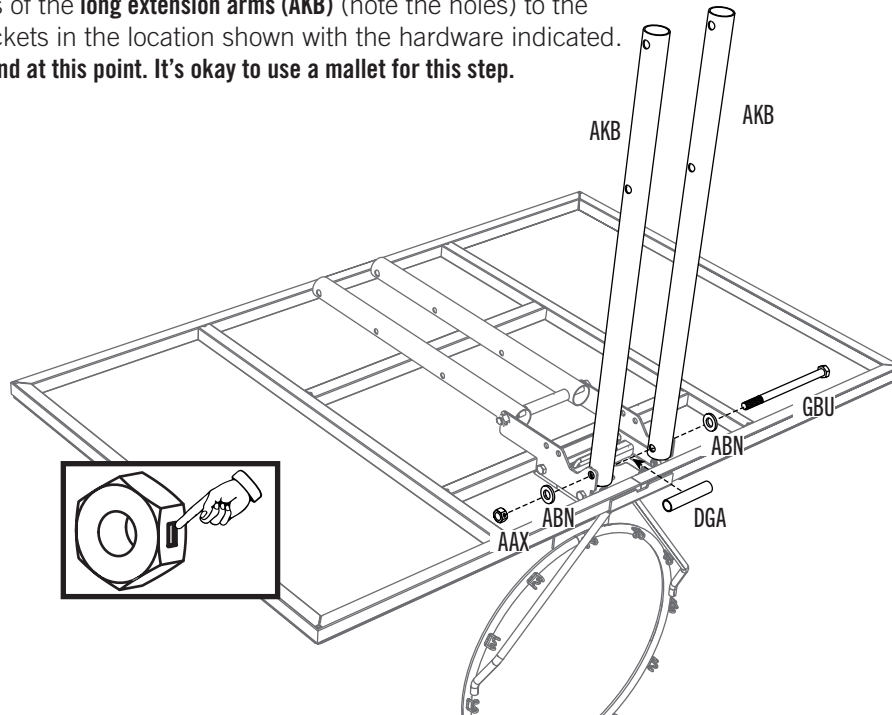
AAX (x1)



ABN (x2)

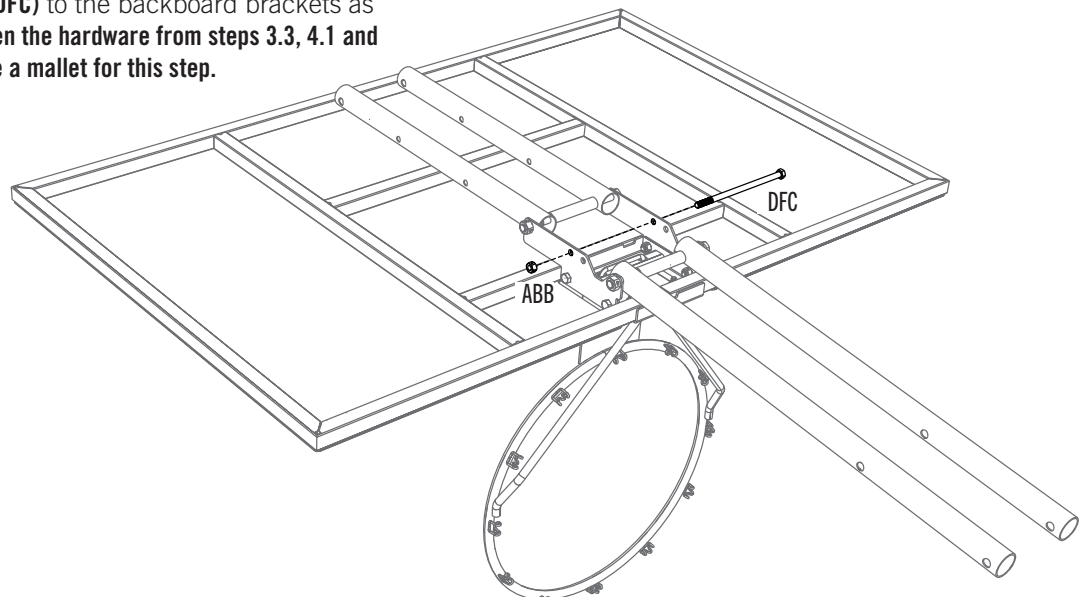
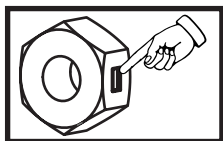
4.2

- Attach the ends of the **long extension arms (AKB)** (note the holes) to the backboard brackets in the location shown with the hardware indicated. **Secure only by hand at this point. It's okay to use a mallet for this step.**



4.3

- Secure the **bolt (DFC)** to the backboard brackets as shown. **Now tighten the hardware from steps 3.3, 4.1 and 4.2. It's okay to use a mallet for this step.**





This page intentionally left blank

Detach this yellow section for use as a quick reference

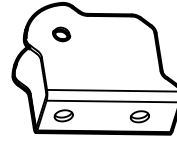


PARTS IDENTIFIER

Metal Parts



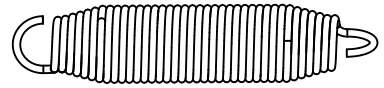
ALH (x1)



ALL (x1)



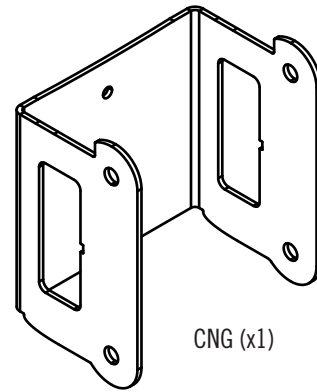
ALF (x1)



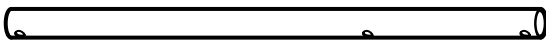
AJY (x2)



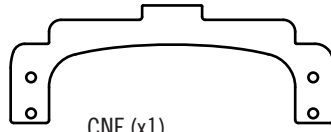
ALE (x1)



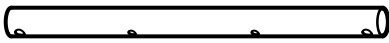
CNG (x1)



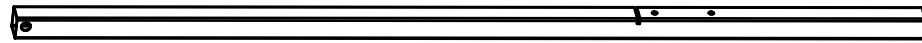
AKB (x2)



CNF (x1)



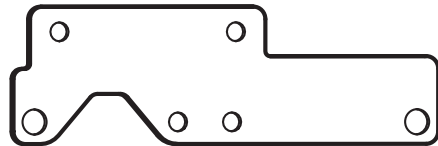
AKC (x2)



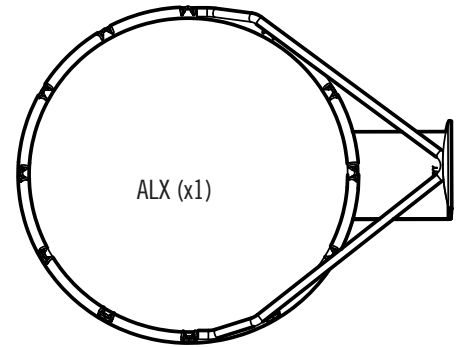
ALB (x1)



AKQ (x1)



AMY (x2)



ALX (x1)



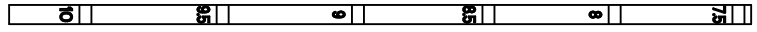
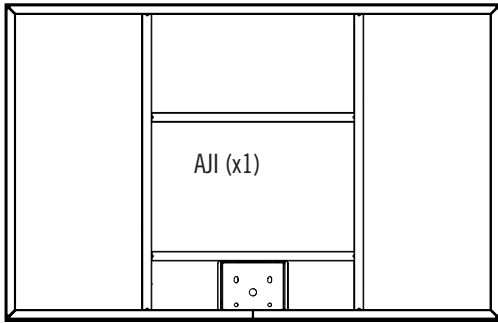
DFD (x1)

Detach this yellow section for use as a quick reference

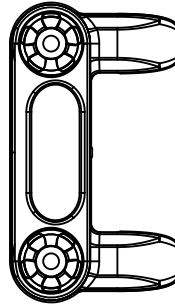


PARTS IDENTIFIER

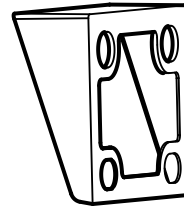
Plastic Parts



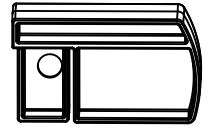
AKP (x1)



AKI (x2)



ALD (x1)



AJS (x1)



AJQ (x1)



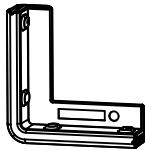
AMN (x2)



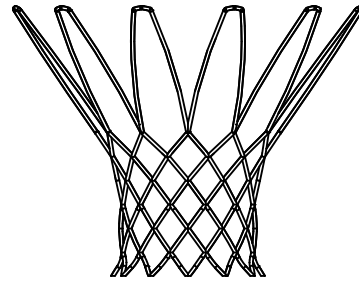
CNJ (x1)



ALM (x1)



AJX (x2)



AKZ (x1)

Detach this yellow section for use as a quick reference



HARDWARE REQUIRED



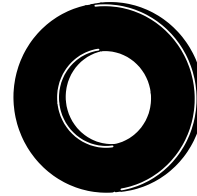
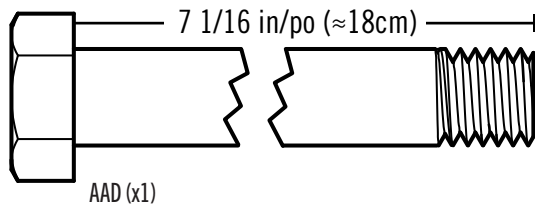
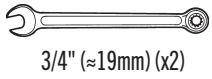


Detach this yellow section for use as a quick reference

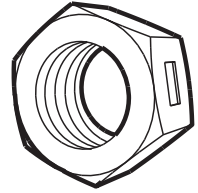
This page intentionally left blank

SECTION 4 (CONTINUED)

TOOLS AND HARDWARE REQUIRED



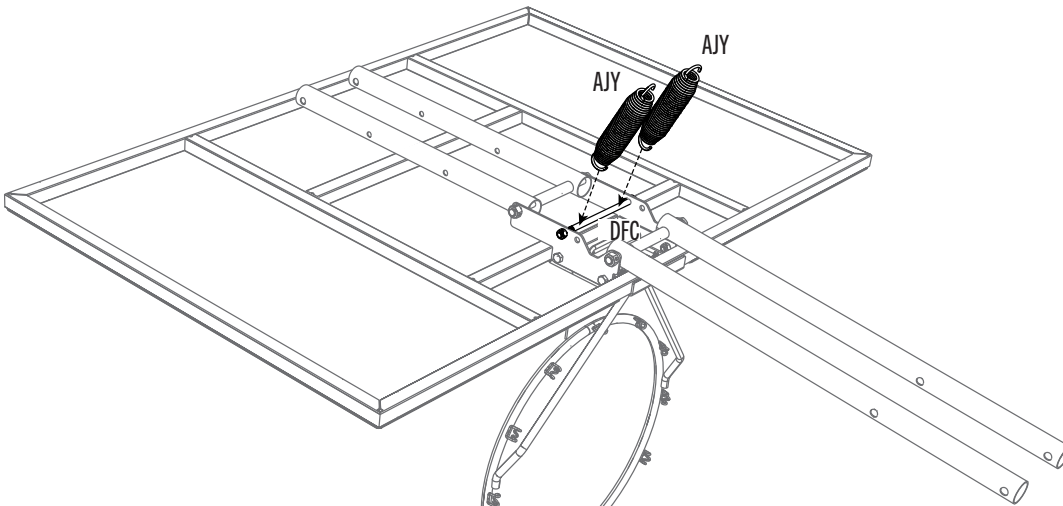
ABN (x2)



AAX (x1)

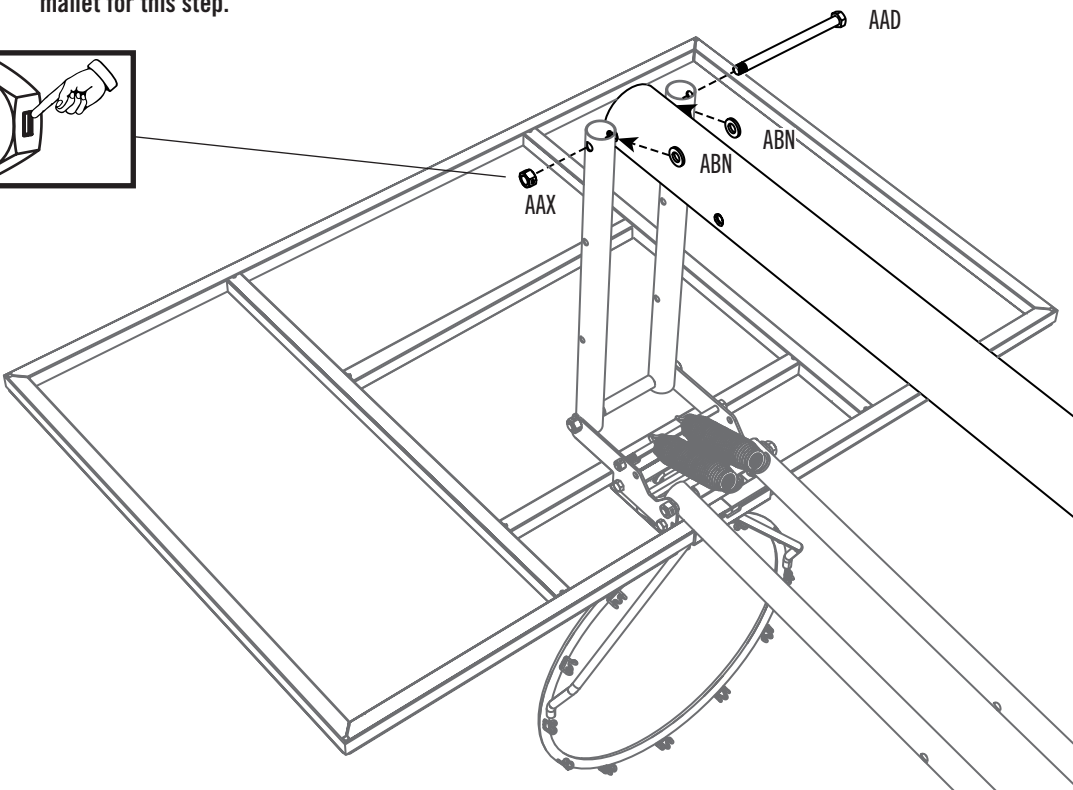
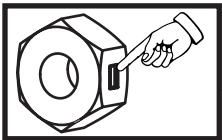
4.4

- Attach both **counterbalance springs (AJY)** to the **bolt (DFC)** as indicated.



4.5

- Lay the backboard assembly next to the pole assembly. Rest the rim on cardboard to prevent scratching. Then secure the short extension arms to the top pole with the hardware shown. **DO NOT completely tighten the nut until instructed. It's okay to use a mallet for this step.**

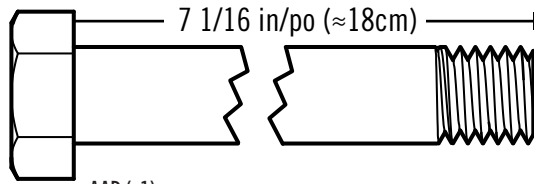


► SECTION 4 (CONTINUED)

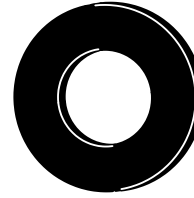
TOOLS AND HARDWARE REQUIRED



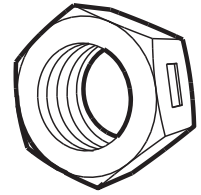
3/4" (≈19mm) (x2)



AAD (x1)



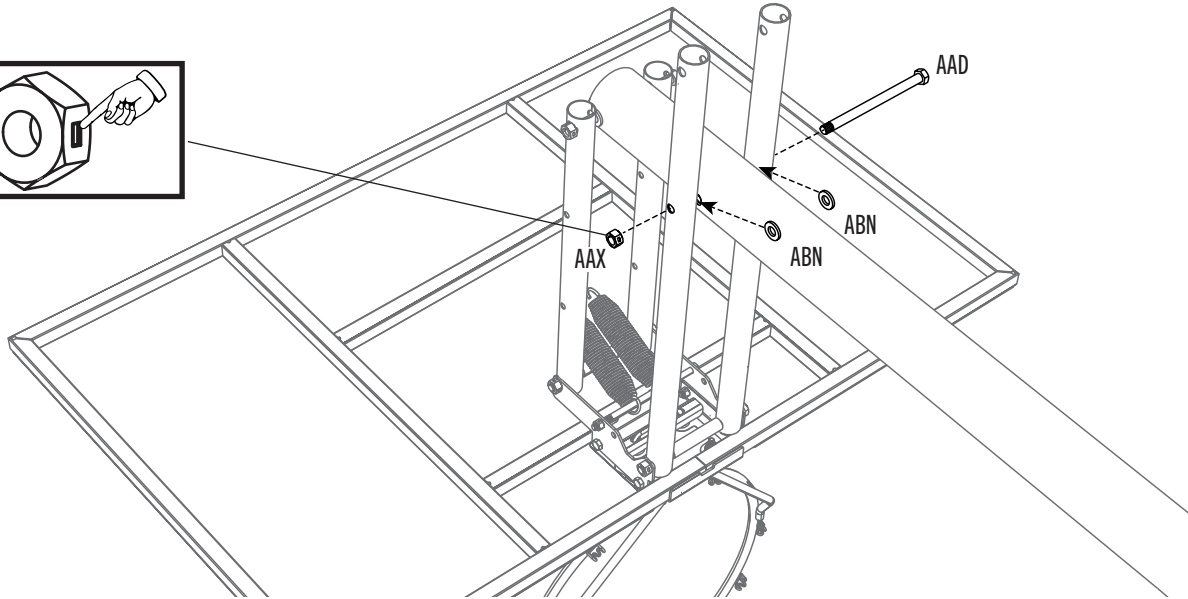
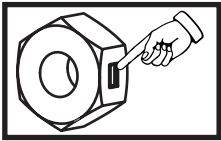
ABN (x2)



AAX (x1)

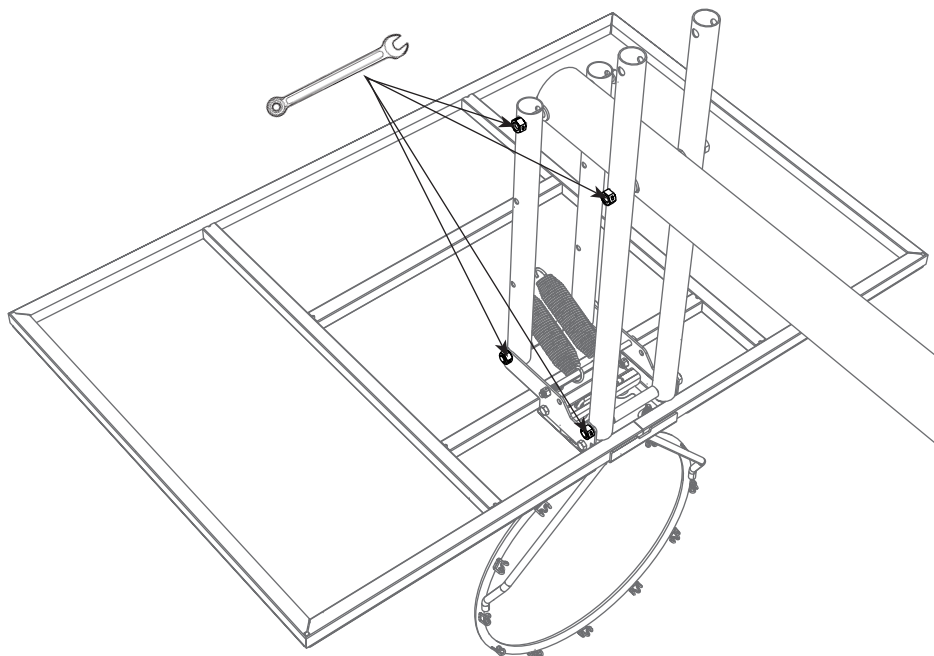
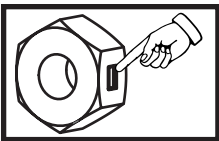
4.6

- Secure the long extension arms to the **top pole (ALH)** with the hardware indicated. **DO NOT completely tighten the nut until instructed.** It's okay to use a mallet for this step.



4.7

- Now tighten the nuts **ONLY** until they are flush with the end of each bolt.

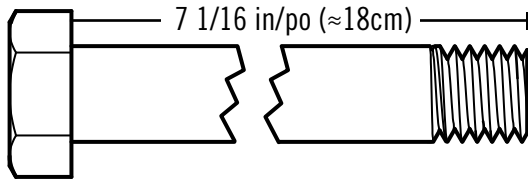


5

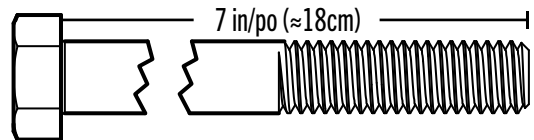
HANDLE ASSEMBLY



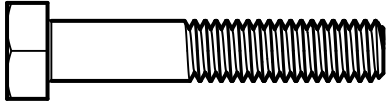
HARDWARE REQUIRED



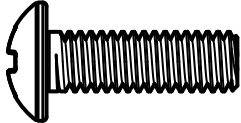
AAAD (x1)



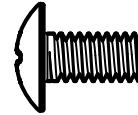
AAZ (x1)



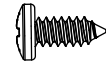
AAC (x1)



CNI (x4)



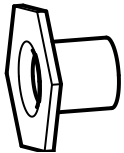
CNH (x2)



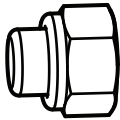
ADR (x4)



ABO (x2)



AAJ (x4)



AAN (x1)

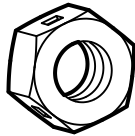
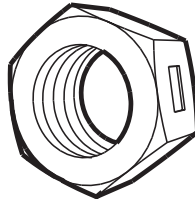


ABB (x1)



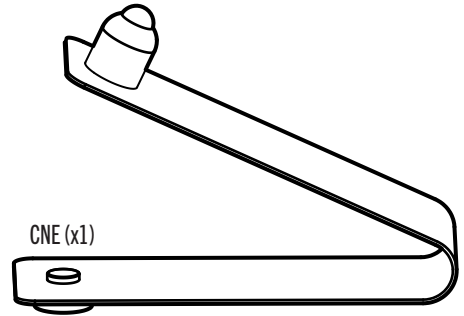
AAX (x1)



AQH (x2)



AZP (x2)

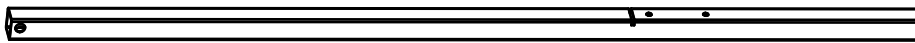


CNE (x1)



PARTS REQUIRED

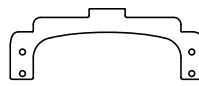
Metal Part



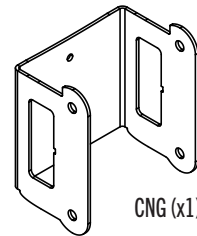
ALB (x1)



AKQ (x1)

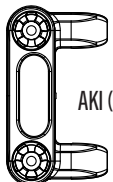


CNF (x1)

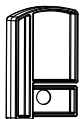


CNG (x1)

Plastic Parts



AKI (x2)



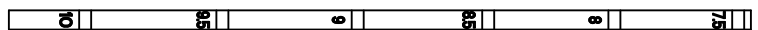
AJS (x1)



AMN (x2)



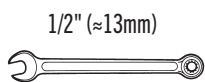
CNJ (x1)



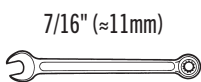
AKP (x1)



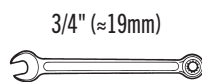
TOOLS REQUIRED



(x2)



(x2)



(x2)



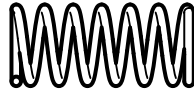
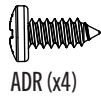
(x1)



(x1)

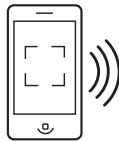
► SECTION 5 (CONTINUED)

TOOLS AND HARDWARE REQUIRED



- In case of any troubles with this section, scan the code below to view a video on its assembly.

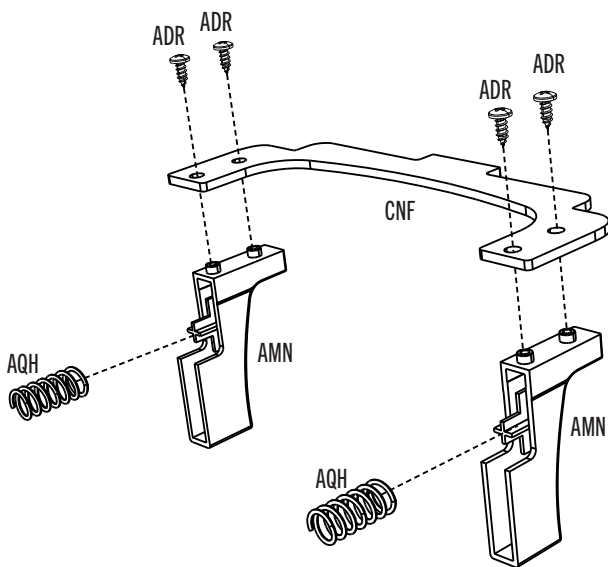
 YouTube



- <http://go.lifetime.com/90599-section5>

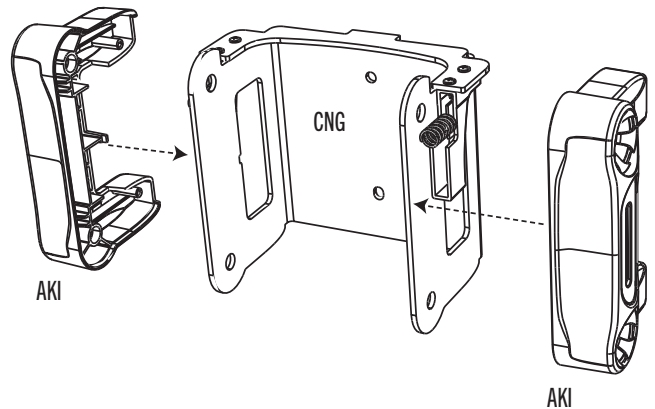
5.1

- It's easier to perform many of the steps in this section when using a table or the grass as a work surface. Attach the **lock tab (CNF)** to the **triggers (AMN)** with the hardware shown, and slide the **trigger spring (AQH)** onto the triggers in the locations shown.



5.2

- Position the trigger assembly onto the **handle brace (CNG)** as indicated. Place the **handle grips (AKI)** on the handle brace over the triggers.

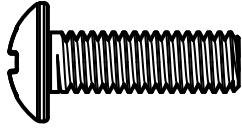


► SECTION 5 (CONTINUED)

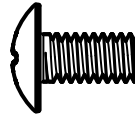
TOOLS AND HARDWARE REQUIRED



7/16" (≈11mm) (x1)



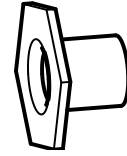
CNI (x4)



CNH (x2)



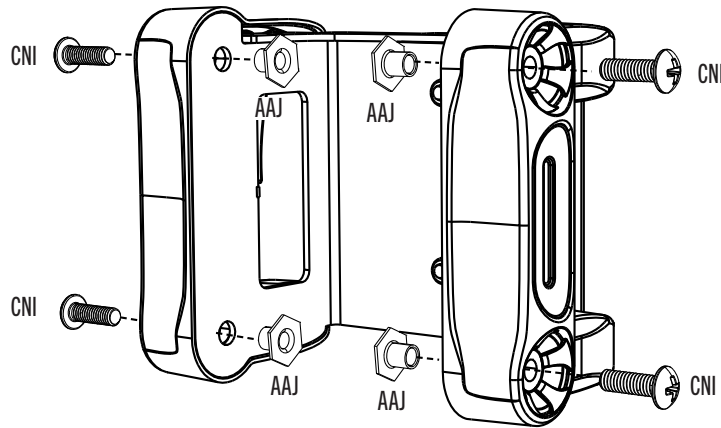
AZP (x2)



AAJ (x4)

5.3

- Secure the handle grips to the handle assembly with the hardware shown.

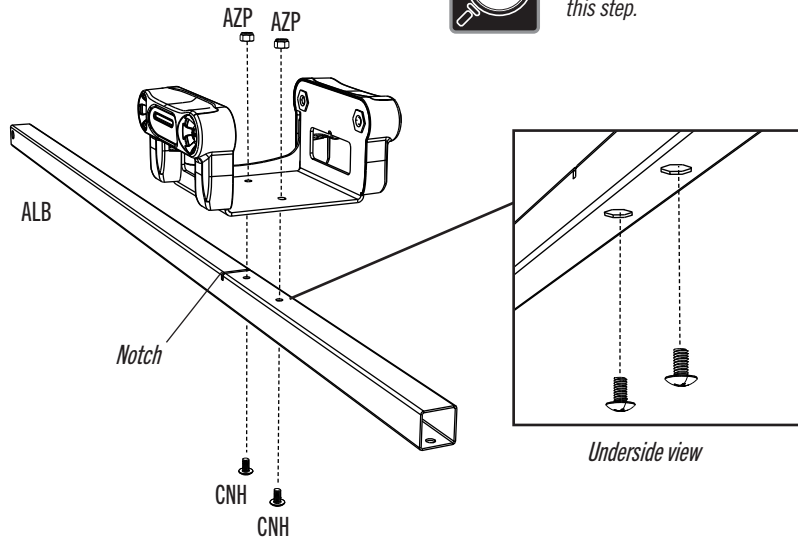


5.4

- Remove the **inner channel (AKQ)** (not shown) from the **outer tube (ALB)**. Attach the handle assembly to the **outer tube (ALB)** with the hardware shown. Fit the **lock tab (CNF)** into the notch on the outer tube.

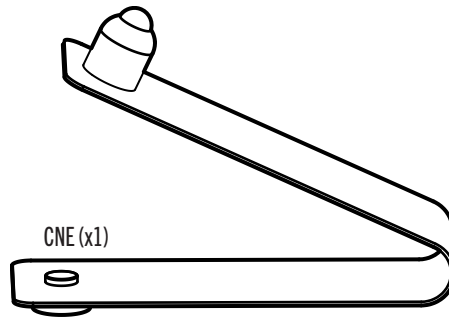


- Ensure that the inner channel (AKQ) has been removed from the outer tube before performing this step.



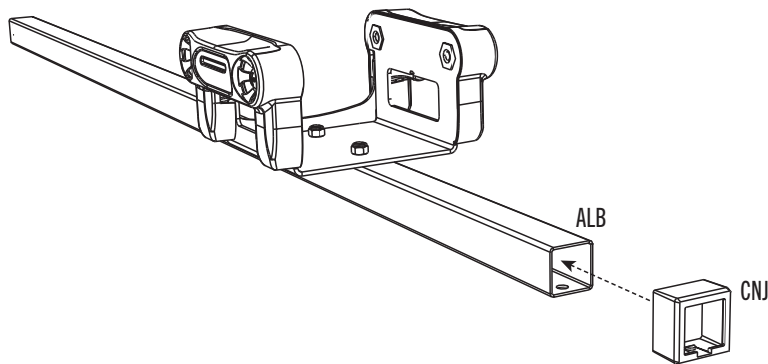
► SECTION 5 (CONTINUED)

TOOLS AND HARDWARE REQUIRED



5.5

- Attach the **outer tube bushing (CNJ)** to the outer tube.

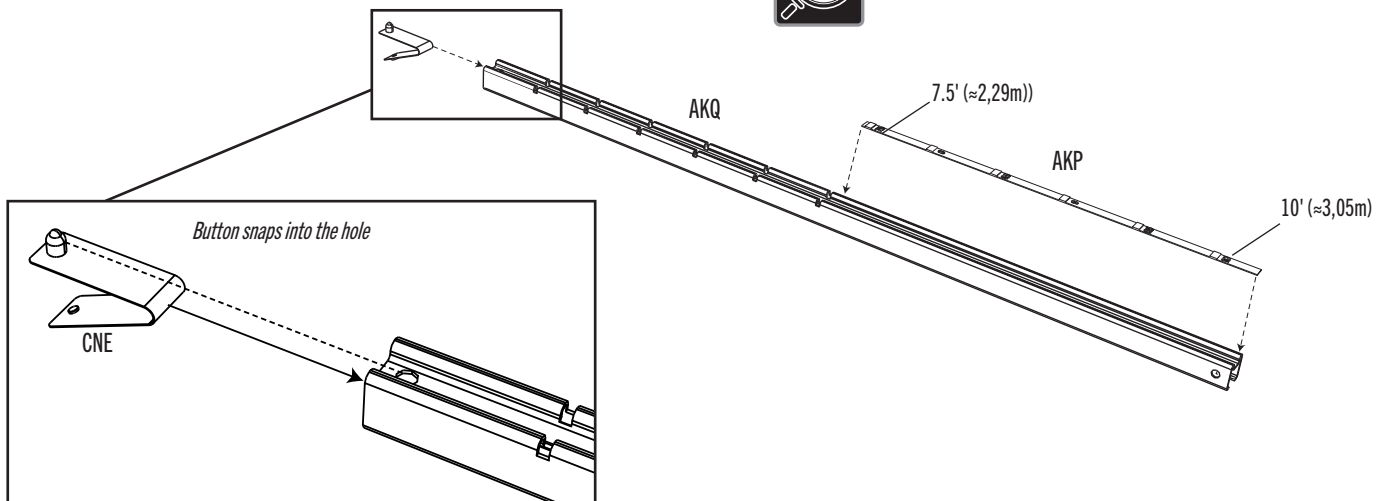


5.6

- Slide the **two-headed snap button (CNE)** into the hole at the top of the **inner channel (AKQ)**. Orient the **height sticker (AKP)** as shown and place it within the grooves of the inner channel. Align the bottom end of the sticker with the edge of the inner channel.



- Wipe off any grease that may be on the inner channel before attaching the height sticker.



► SECTION 5 (CONTINUED)

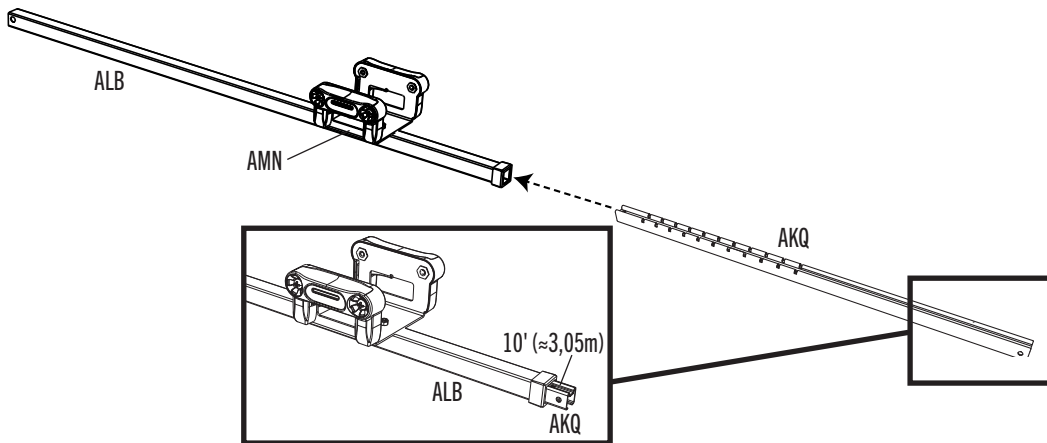
TOOLS AND HARDWARE REQUIRED



5.7

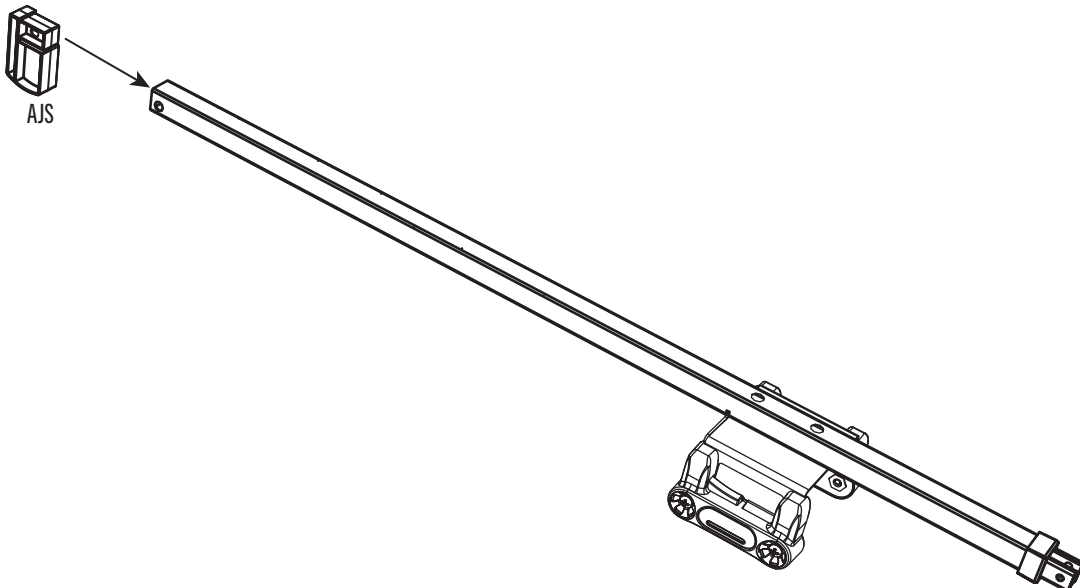


- While squeezing both **triggers (AMN)**, insert the notched end of the **inner channel (AKQ)** into the **outer tube (ALB)** as shown. Slide the inner channel into the outer tube until the 10' ($\approx 3,05\text{m}$) mark has been reached. Then release the trigger so it clicks into place.



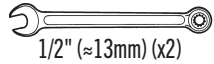
5.8

- Insert the **channel stop (AJS)** into the top of the outer tube as indicated.

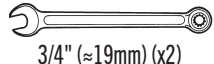


SECTION 5 (CONTINUED)

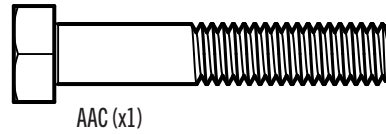
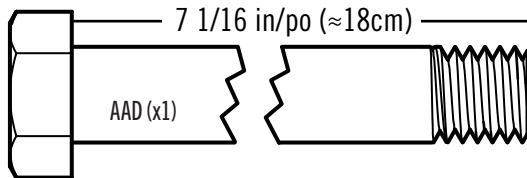
TOOLS AND HARDWARE REQUIRED



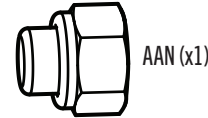
1/2" (≈13mm) (x2)



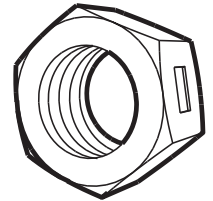
3/4" (≈19mm) (x2)



AAC (x1)



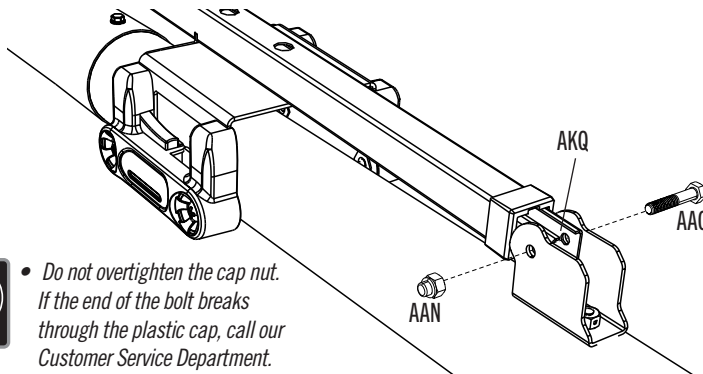
AAN (x1)



AAX (x1)

5.9

- Attach the inner channel to the pole bracket with the hardware indicated.



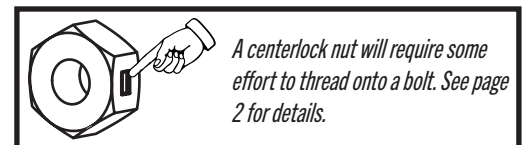
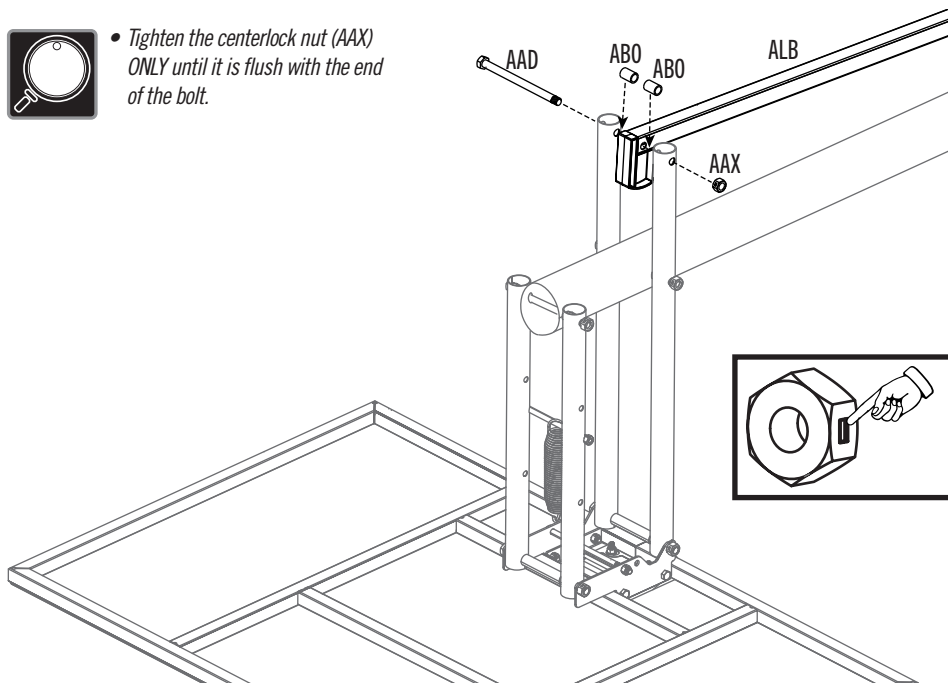
- Do not overtighten the cap nut. If the end of the bolt breaks through the plastic cap, call our Customer Service Department. Exposed threads on the end of the bolt may cause serious injuries.

5.10

- Secure the outer tube to the long extension arms with the hardware shown. If needed, use a rubber mallet to tap the hardware into place. **It's okay to use a mallet for this step.**



- Tighten the centerlock nut (AAX) ONLY until it is flush with the end of the bolt.



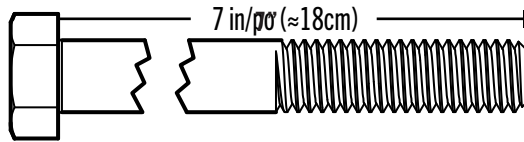
A centerlock nut will require some effort to thread onto a bolt. See page 2 for details.

► SECTION 5 (CONTINUED)

TOOLS AND HARDWARE REQUIRED



9/16" (≈14mm) (x2)



AAZ (x1)

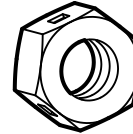
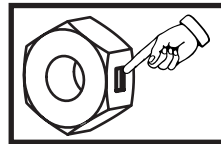


ABB (x1)

5.11

- Insert the **bolt (AAZ)** through the holes in the short extension arms that are closest to the pole. Secure the bolt with a **centerlock nut (ABB)**.



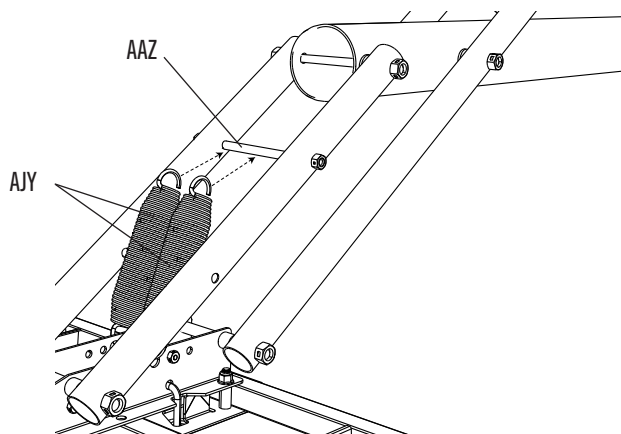
- *Tighten the centerlock nut (ABB) ONLY until it is flush with the end of the Bolt.*

AAZ

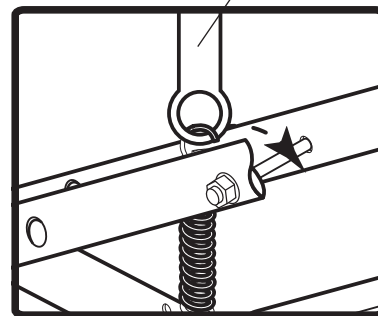
ABB

5.12

- Raise the backboard to the highest position. Using the closed end of a wrench, stretch the **springs (AJY)** up and over the **bolt (AAZ)** one at a time as indicated.



Any large wrench



6

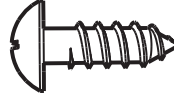
FINAL ASSEMBLY



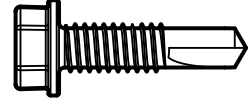
HARDWARE REQUIRED



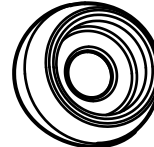
ADP (x10)*
#10 x 7/8"



ADS (x1)



ABZ (x1)



CIH (x1)

(*This Hardware taken from the hardware bag used in Section 2.)

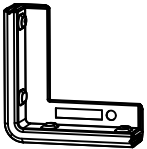


PARTS REQUIRED

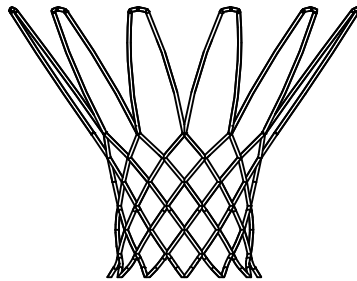
Plastic Parts



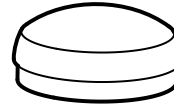
AJQ (x1)



AJX (x2)



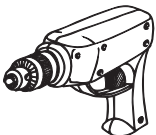
AKZ (x1)



ALM (x1)



TOOLS REQUIRED



(x1)



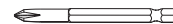
(x1)



(x1)



(x1)



(x1)



(x1)

► SECTION 6 (CONTINUED)

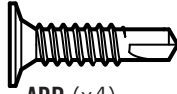
TOOLS AND HARDWARE REQUIRED



(x1)



(x1)

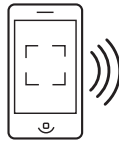


ADP (x4)



- In case of any troubles with this section, scan the code below to view a video on its assembly.

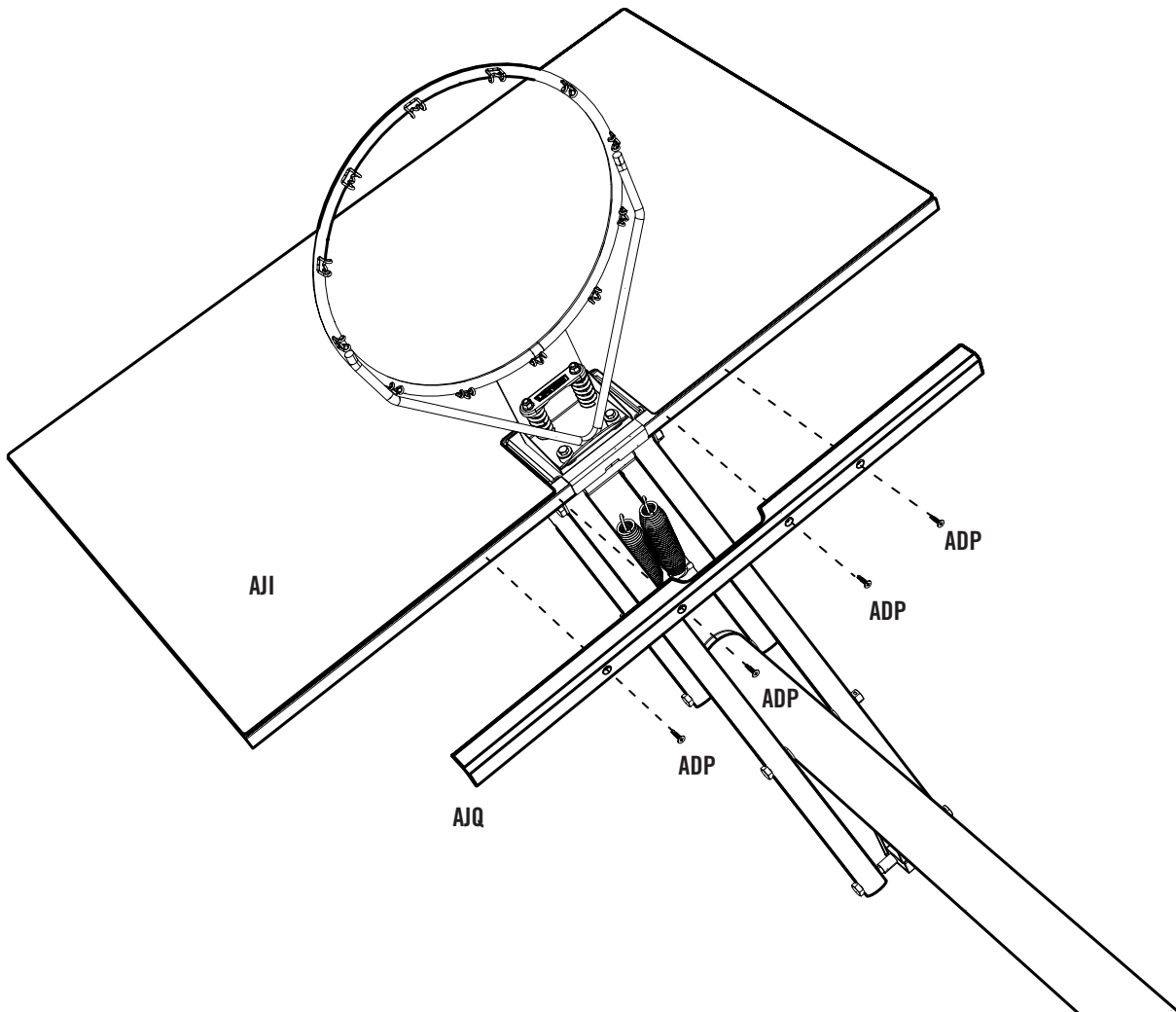
 YouTube



- <http://go.lifetime.com/90599-section6>

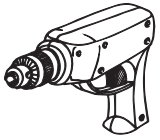
6.1

- Remove the plastic film from the **backboard (AJI)**, and attach the **center frame Pad (AJQ)** to the backboard in the location shown with the hardware indicated. Ensure that the center frame pad is centered on the metal piece of the backboard as shown.



SECTION 6 (CONTINUED)

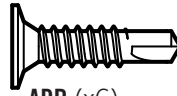
TOOLS AND HARDWARE REQUIRED



(x1)



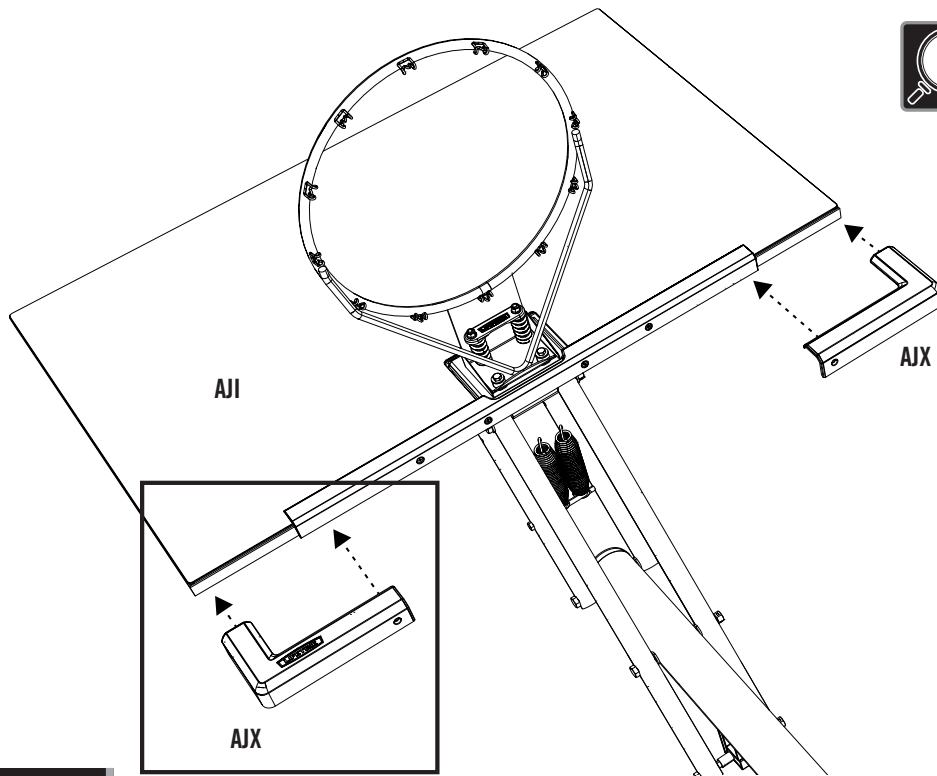
(x1)



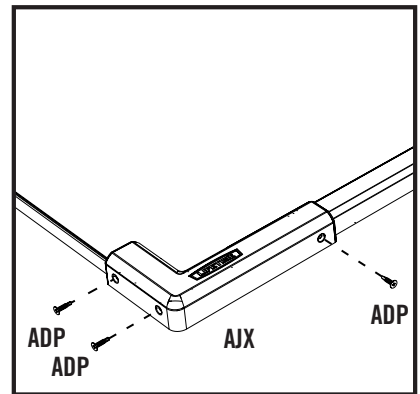
ADP (x6)

6.2

- Attach the **corner frame pads (AJX)** to the **backboard (AJI)** in the locations shown with the hardware indicated.

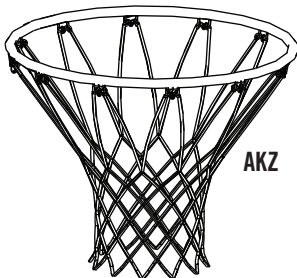


- The corner frame pads (BAA and BAB) will overlap the center frame pad (AJQ).

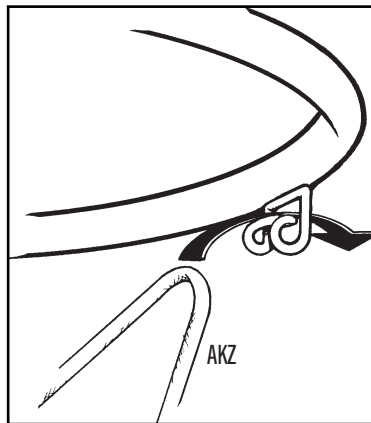


6.3

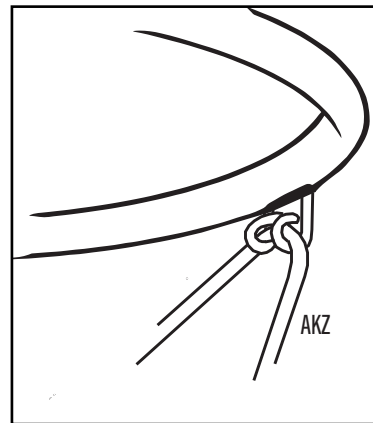
- Attach the **net (AKZ)**.



AKZ



AKZ



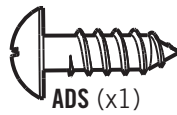
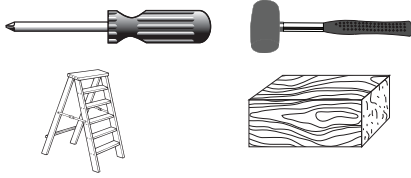
AKZ



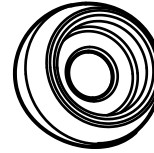
Note: If a replacement net is needed, please call our Customer Service Department. Our Nets are shorter than average to reduce the risk of entanglement.

SECTION 6 (CONTINUED)

TOOLS AND HARDWARE REQUIRED



ADS (x1)

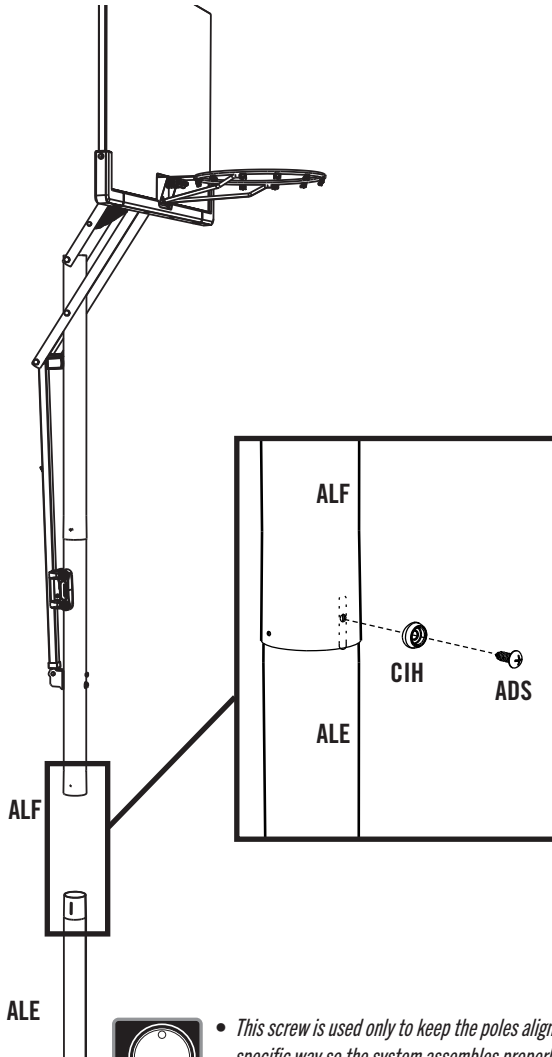


CIH (x1)

6.4

To prevent serious injuries, two adults are required to complete assembly.

- Ensure the backboard faces the playing surface and align the small hole in the **middle pole (ALF)** with the correct slot in the **bottom pole (ALE)**. Slide the middle pole over the bottom pole. Insert the remaining **1/4" x 3/4" screw (ADS)** through the **countersink washer (CIH)** and into the small hole in the middle pole.



- *This screw is used only to keep the poles aligned in a specific way so the system assembles properly. The screw should be flush with the domed countersink and the domed countersink with the pole. The screw will spin freely once installed. The screws in steps 2.5 and 6.6 keep the poles from separating. Do not jam the poles together until instructed.*

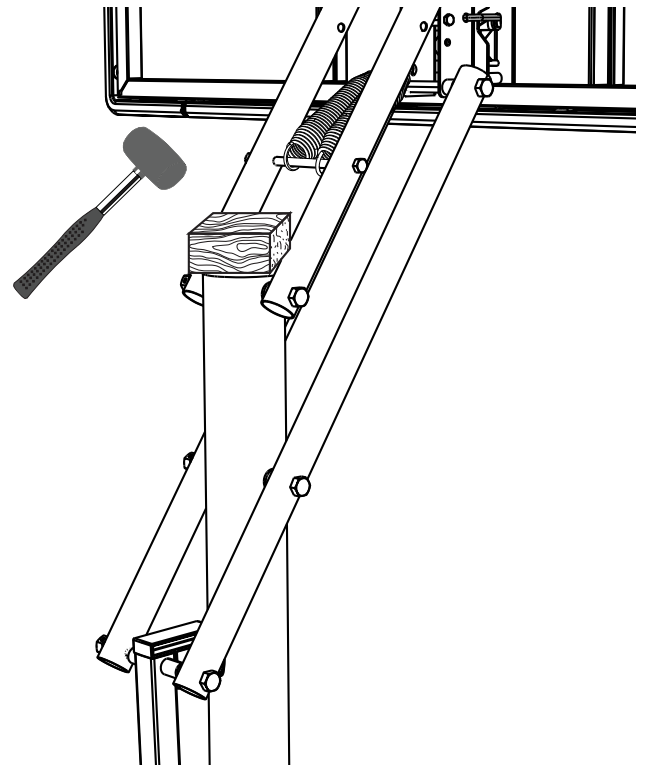
6.5

ATTENTION: THIS STEP CANNOT BE REVERSED!

- In order to seat the poles, place the scrap wood on top of the pole and strike it very hard five to six times with a rubber mallet. This must be done even if the poles cover the slots before seating has occurred.



- *If the middle pole does not completely cover the slot on the bottom pole after seating, DO NOT COMPLETE ASSEMBLY. Call our Customer Service Department.*

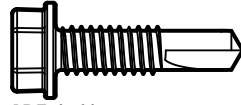
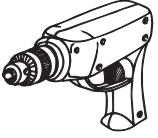


WARNING

The poles must be seated together! Even if the poles cover the slots before seating, they still must be struck on a hard surface five to six times! Failure to seat the poles correctly could allow the poles to separate during use, leading to serious personal injuries or property damage.

► SECTION 6 (CONTINUED)

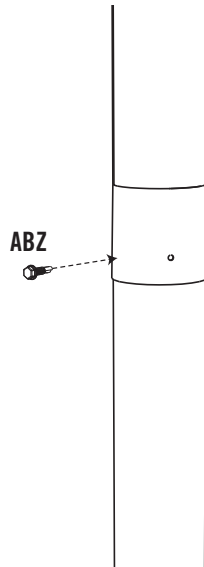
TOOLS AND HARDWARE REQUIRED



ABZ (x1)

6.6

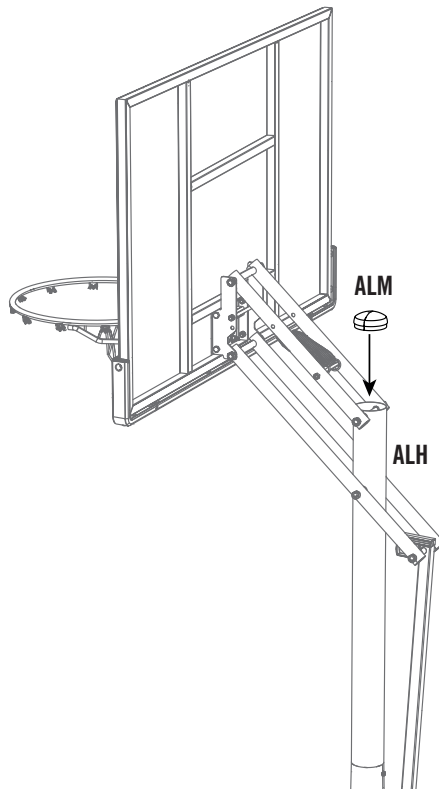
- After the poles have been seated, insert a **#14 x 1" self-tapping screw (ABZ)** directly into the back of the middle pole just above where it meets the Bottom Pole.



- *Chuck the #14 x 1" self-tapping screw directly into an electric drill for easy installation, or use a 3/8" hex driver.*

6.7

- Insert the **pole cap (ALM)** into the **top pole (ALH)** as shown.





MAINTENANCE

The life of your basketball system depends on many variables. The climate, exposure to corrosives such as salt, pesticides, or herbicides, and excessive use or misuse can all contribute to Pole failure, which may cause property damage or personal injury.

Check your basketball system frequently for loose hardware, excessive wear, and signs of corrosion. For safety reasons, and to prolong the life of your basketball system, you must take the following preventive measures.

- a. Check all Nuts and Bolts. If any are loose, tighten them.
- b. Check all parts for excessive wear and tear. If necessary, replace any parts that have been worn or damaged through usage. Contact our Customer Service Department for replacement parts.
- c. Inspect the Warning Sticker on the Pole. If it is ripped, faded, or illegible, call our Customer Service Department to request a replacement Sticker.
- d. Check all Pole sections for visible rust or chipped or cracked paint. If either are present, do the following:
 1. Use an emery cloth to completely remove any rust or chipped paint.
 2. Clean the area with a damp cloth and allow it to dry.
 3. Apply two coats of a rust preventative, high gloss enamel paint to the area. Allow the paint to dry between coats.

IF RUST HAS PENETRATED THROUGH THE POLE ANYWHERE, REPLACE IT IMMEDIATELY!



WARNING STICKER

WARNING	
<p>FAILURE TO FOLLOW THESE WARNINGS MAY RESULT IN SERIOUS INJURY AND/OR PROPERTY DAMAGE.</p> <p>Owners must ensure that all players know and follow these rules for safe operation of the system.</p> <ul style="list-style-type: none"> • Only hang from the rim briefly to regain balance or avoid injuring others. Release the rim as soon as safely possible. • During play, especially when performing dunk type activities, keep player's face away from the backboard, rim, and net. Serious injury could occur if teeth/face come in contact with the backboard, rim, or net. Player should wear a mouth guard during play. • Do not slide, climb, or play on base or pole. • When adjusting height or moving system, keep hands and fingers away from moving parts. • Do not allow children to move or adjust system. • Do not wear jewelry (rings, watches, necklaces, etc.) during play. Objects may entangle in net. • Keep water and organic material away from pole base. grass, litter, etc. could cause corrosion and/or deterioration. • Never play on damaged equipment. • Once a month check pole and all metal parts for signs of corrosion (rust, pitting, chipping). Completely remove rust and repaint with exterior enamel. If rust has penetrated any steel part, replace that part immediately. 	<ul style="list-style-type: none"> • Check system before each use for proper ballast, loose hardware, excessive wear, instability, and signs of corrosion and repair before use. • Do not use the system to lift or hoist anything. The mechanism is designed to lift only the weight of the backboard and rim. Do not hang anything from the handle, rim, backboard, or lifter arms as this will damage the system and void the warranty. 
AVERTISSEMENT	ADVERTENCIA
<p>FAUTE DE NE PAS SUIVRE CES AVERTISSEMENTS, VOUS RISQUEZ DE CAUSER DES BLESSURES GRAVES ET/OU DES DOMMAGES À L'ÉQUIPEMENT.</p> <p>Le propriétaire doit s'assurer que tous les joueurs connaissent et appliquent les règles suivantes afin d'utiliser l'équipement en toute sécurité.</p> <ul style="list-style-type: none"> • Ne pas se suspendre à l'anneau plus que nécessaire pour retrouver l'équilibre ou éviter de blesser les autres joueurs. Relâchez l'anneau aussitôt que possible. • Lors d'un match, particulièrement dans le cas des smashes, le visage du joueur ne doit pas faire face au panneau, à l'anneau, ni au filet. Le joueur risque de graves blessures si ses dents ou son visage entrent en contact avec le panneau, l'anneau, ou le filet. Les joueurs doivent toujours porter un protège-dents lorsqu'ils jouent. • Ne pas glisser, ne pas grimper, et ne pas jouer sur la base ou le poteau. • Lors du réglage de la hauteur ou lorsque du déplacement de l'équipement, garder les mains et doigts loin des pièces mobiles. • Ne permettre pas aux enfants de déplacer ou d'ajuster l'équipement. • Ne pas porter de bijoux (bagues, montres, colliers, etc.) pendant le jeu. Ces objets pourraient s'accrocher au filet. • Garder de l'eau et autre matière organique loin de la base. Le gazon, les déchets, etc. pourraient provoquer la corrosion et/ou la détérioration. • Une fois par mois, vérifier que le poteau et toutes les pièces en métal ne montrent pas de signes de corrosion (rouille, piqûres, écaillage). Enlever toute la rouille et repeindre complètement avec une peinture pour extérieur. Si la rouille a pénétré une des pièces en acier, il faut remplacer immédiatement la pièce en question. • A chaque utilisation de l'équipement, vérifier d'abord l'équilibre, la possibilité de pièces desserrées ou usées, la stabilité de l'équipement et tout signe de corrosion ou réparation nécessaire avant utilisation. • Ne jamais jouer avec un équipement endommagé. • Ne pas utiliser l'équipement pour lever ou soulever quoique ce soit. Son mécanisme a été conçu uniquement pour soutenir le poids du panneau et de l'anneau. Ne rien accrocher au manche, à l'anneau, au panneau ni aux leviers sous peine d'endommager l'équipement et d'annuler la garantie. 	<p>SI NO SE OBEDECEN ESTAS ADVERTENCIAS PUEDEN PRODUCIRSE GRAVES LESIONES Y/O DAÑOS A LA PROPIEDAD.</p> <p>El propietario del sistema debe asegurarse de que todos los jugadores conozcan y respeten estas reglas para que el sistema se use en forma segura.</p> <ul style="list-style-type: none"> • Cuélguese del aro sólo en forma breve, para recuperar el equilibrio o evitar lesionar a otros jugadores. Suéltese del aro lo más pronto que pueda hacerlo con seguridad. • Durante el juego, especialmente al embocar violentamente de alto, la cara de los jugadores debe mantenerse alejada del tablero, el aro y la red. Pueden producirse lesiones graves si los dientes o la cara entran en contacto con el tablero, el aro o la red. Los jugadores deben usar un protector bucal durante el juego. • No se deslice, no trepe ni juegue sobre la base o el poste. • Mantenga las manos y los dedos alejados de las piezas móviles cuando regule la altura o desplace el sistema. • No deje que los niños regulen ni desplacen el sistema. • No use joyas (anillos, relojes, collares o gargantillas, etc.) durante el juego. Estos objetos pueden engancharse en la red. • Guarde agua y materia orgánica. Césped, basura, etc., podrían causar corrosión et/o deterioros. • Controle el poste y todas las piezas metálicas una vez al mes en busca de signos visibles de corrosión (oxidación, picaduras, escamado). Elimine todo rastro de óxido y vuelva a pintar con esmalte para exteriores. Si el óxido ha penetrado cualquier pieza de acero, reemplace esa pieza de inmediato. • Inspeccione el sistema antes de cada uso para verificar que esté adecuadamente contrapesado, que los elementos de fijación no estén flojos, que no haya desgaste excesivo, inestabilidad ni signos de corrosión. Si encuentra irregularidades, repárelas antes de usar el sistema. • Nunca juegue con un equipo dañado. • No use el sistema para levantar ningún objeto. El mecanismo está diseñado para elevar solamente el peso del tablero con el aro. No cuelgue nada de la agarradera, el aro, el tablero ni los brazos de elevación, ya que esto puede dañar el sistema y anular la garantía.
Lifetime Products, Inc., Clearfield, UT 84016 1-800-225-3865	www.lifetime.com
	7/12/2016 # 1176611



NOTES



REGISTER YOUR PRODUCT ONLINE AT WWW.LIFETIME.COM

At Lifetime®, we are committed to providing innovative and quality products. While registering, you will have the opportunity to give us your feedback. Your input is valuable to us.

- You can also opt in to receive new product notifications or promotions.
- In the unlikely event of a product recall or safety modification, your registration provides the information we need to notify you directly.
- Registration is fast, easy, and completely voluntary.

LIFETIME'S PROMISE TO YOU:

Maintaining your privacy is our long-standing policy at Lifetime®. And you can rest assured that Lifetime® will not sell or provide your personal data to other third parties, or allow them to use your personal data for their own purposes.

We invite you to read our privacy policy at www.lifetime.com

REGISTER today!



ENREGISTRER CE PRODUIT EN LIGNE À WWW.LIFETIME.COM

Chez Lifetime®, nous nous engageons à fournir des produits innovateurs de qualité. Lors de votre inscription, vous aurez l'occasion de nous faire parvenir vos commentaires. Votre opinion est importante pour nous.

- On peut également choisir de recevoir des avis ou des promotions dans le cadre de nouveaux produits.
- Dans l'éventualité peu probable d'un rappel ou d'un avis de sécurité, l'inscription fournit les renseignements nécessaires nous permettant de communiquer avec vous.
- L'inscription est rapide, facile et complètement volontaire.

LA PROMESSE DE LIFETIME :

Conserver votre confidentialité est notre politique de longue date chez Lifetime®. Vous pouvez donc être rassuré par le fait que Lifetime® ne vendra pas ou ne fournira pas vos données personnelles à des tiers, et ne leur permettra pas d'utiliser vos données personnelles à leurs propres fins.

Nous vous invitons à lire notre politique de confidentialité à www.lifetime.com (en anglais seulement)

ENREGISTRER CE PRODUIT aujourd'hui!



REGISTRAR EL PRODUCTO EN LÍNEA EN WWW.LIFETIME.COM

En Lifetime®, estamos comprometidos a ofrecer productos innovadores y de calidad. Al registrarse, usted tendrá la oportunidad de darnos su retroalimentación. Su información es valiosa para nosotros.

- También puede optar por recibir nuestras notificaciones o promociones.
- En el caso improbable de que el producto deba ser retirado del mercado o que sufra alguna modificación, su registro provee la información que necesitamos para notificarle directamente.
- El registro es rápido, fácil y completamente voluntario.

LA PROMESA DE LIFETIME® PARA USTED:

Mantener privacidad es nuestra política permanente en Lifetime®. Y puede estar seguro que Lifetime® no venderá ni dará datos personales a terceros, ni les permitirá usar datos personales para sus propios fines.

Lo invitamos a leer nuestra política de privacidad en www.lifetime.com (sólo en inglés)

¡REGISTRARSE hoy mismo!



5-YEAR LIMITED FACTORY WARRANTY

THE MANUFACTURER RESERVES THE RIGHT TO MAKE SUBSTITUTIONS TO WARRANTY CLAIMS IF PARTS ARE UNAVAILABLE OR OBSOLETE.

1. Lifetime basketball systems are warranted to the original purchaser to be free from defects in material or workmanship for a period of five years (60 months) from the date of original retail purchase. The word “defects” is defined as imperfections that impair the use of the product. Defects resulting from misuse, abuse or negligence will void this warranty. This warranty does not cover defects due to improper installation, alteration or accident. This warranty does not cover damage caused by vandalism, rusting, “acts of nature” or any other event beyond the control of the manufacturer.
2. This warranty is nontransferable and is expressly limited to the repair or replacement of defective product. If the product is defective within the terms of this warranty, Lifetime Products, Inc. will repair or replace defective parts at no cost to the purchaser. Shipping charges to and from the factory or distribution center are not covered and are the responsibility of the purchaser. Labor charges and related expenses for removal, installation or replacement of the product or its components are not covered under this warranty.
3. This warranty does not cover scratching or scuffing of the product that may result from normal usage. In addition, defects resulting from intentional damage, negligence, unreasonable use or hanging from the rim will void this warranty.
4. Liability for incidental or consequential damages is excluded to the extent permitted by law. While every attempt is made to embody the highest degree of safety in all equipment, freedom from injury cannot be guaranteed. The user assumes all risk of injury resulting from the use of this product. All merchandise is sold on this condition, and no representative of the company may waive or change this policy.
5. This product is not intended for institutional or commercial use; Lifetime Products, Inc. does not assume any liability for such use. Institutional or commercial use will void the warranty.
6. Our goods come with guarantees that cannot be excluded under the Australian Consumer Law. You are entitled to a replacement or refund for a major failure and for compensation for any other reasonably foreseeable loss or damage. You are also entitled to have the goods repaired or replaced if the goods fail to be of acceptable quality and the failure does not amount to a major failure.
7. This warranty is expressly in lieu of all other warranties, expressed or implied, including warranties of merchantability or fitness for use to extent permitted by Federal and state law. Neither Lifetime Products, Inc., nor any representative assumes any other liability in connection with this product. This warranty gives you specific legal rights, and you may also have other rights which vary from state to state.

PLEASE INCLUDE YOUR DATED SALES RECEIPT AND PHOTOGRAPHS OF DAMAGED PARTS.

REPORT PRODUCT DEFECTS IN WRITING TO:

Lifetime Products, Inc., PO Box 160010 Clearfield, UT 84016-0010 or dial 1-800-225-3865.

REGISTER YOUR PRODUCT FOR QUICKER CUSTOMER SERVICE.

Visit www.lifetime.com or dial 1-800-225-3865 to register your product today.

FOR INTERNATIONAL WARRANTY CLAIMS:

All warranty claims must be accompanied by a sales receipt. Report all warranty claims in writing to your regional sales support representative. Please include your dated sales receipt and photographs of damaged parts.

To identify the representative for your region, please visit: www.lifetime.com/international



www.lifetime.com

ENHANCE YOUR LIFETIME® PURCHASE BY ADDING ACCESSORIES OR OTHER GREAT PRODUCTS

To purchase accessories or other Lifetime® products, visit us at:

www.lifetime.com
Or dial 1-800-424-3865



www.lifetime.com

