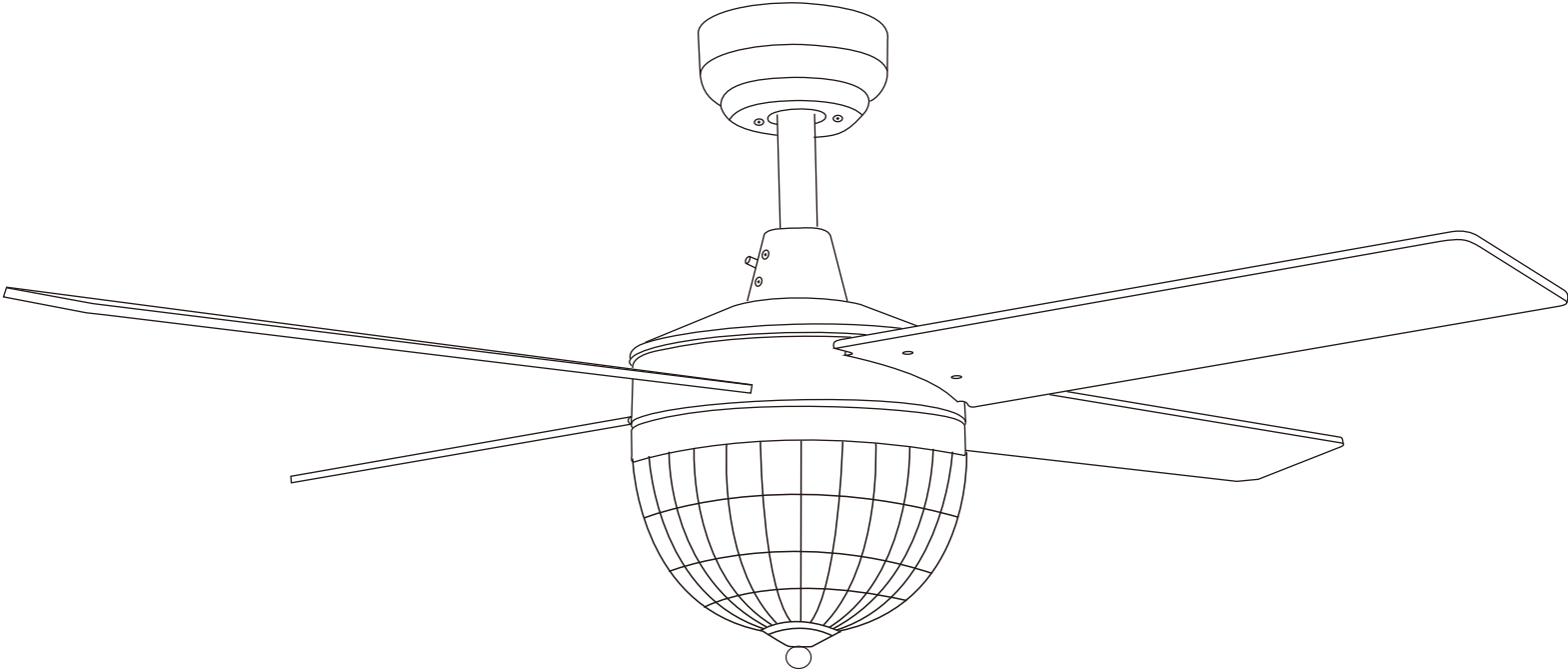


# CEILING FAN INSTRUCTION MANUAL

SIZE: 52"L X 52"W X 15"-20"-25"H



# TABLE OF CONTENTS

3	Safety instructions
4	Warning
4	Preparation
5	Part List and Hardware List
6	Installation of the hanging bracket
7	Hanging the fan
9	Attaching the fan blades and lights
10	Attaching the shade & operation
11	Use of remote control & making the electrical connections
12	Install remote control & fan balance
13	Care and cleaning & Trouble shooting

# SAFETY INSTRUCTIONS

1. To reduce the risk of electric shock, ensure the electricity has been turned off at the circuit breaker or fuse box before you begin.
2. All wiring must be in accordance with the National Electrical Code ANSI/NFPA 70-1999 and local electrical codes. Electrical installation should be performed by a qualified licensed electrician.
3. The outlet box and support structure must be securely mounted and capable of reliably supporting 35 lbs. (15.9 kg). Use only UL Listed outlet boxes marked "Acceptable for Fan Support of 35 lbs. (15.9 kg) or less".
4. The fan must be mounted with a minimum of 7 ft. (2.1 m) clearance from the trailing edge of the blades to the floor.
5. Do not operate the reversing switch while the fan blades are in motion. You must turn the fan off and stop the blades before you reverse the blade direction.
6. Do not place objects in the path of the blades.
7. To avoid personal injury or damage to the fan and other items, use caution when working around or cleaning the fan.
8. Electrical diagrams are for reference only. Light kits that are not packed with the fan must be UL-listed and marked suitable for use with the model fan you are installing. Switches must be UL General Use Switches. Refer to the instructions packaged with the light kits and switches for proper assembly.
9. After making electrical connections, spliced conductors should be turned upward and pushed carefully up into the outlet box. The wires should be spread apart with the grounded conductor and the equipment-grounding conductor on one side of the outlet box.
10. All set screws must be checked and re-tightened where necessary before installation.



**WARNING:** To reduce the risk of personal injury, do not bend the blade brackets (also referred to as flanges) during assembly or after installation. Do not insert objects in the path of the blades.



**WARNING:** To reduce the risk of fire or electric shock, this fan is NOT suitable for use with solid-state speed controls.



**WARNING:** To avoid possible electrical shock, make sure that the electricity is turned off at the main power box before starting work. If you feel you do not have enough electrical wiring knowledge or experience, contact a licensed electrician.



**WARNING:** Electrical diagrams are for reference only. Optional use of any light kit shall be UL-listed and marked suitable for use with this fan



**WARNING:** To reduce the risk of fire, electrical shock or personal injury, ensure that the fan mounting bracket is supported directly from the building structure or the outlet box marked "Acceptable for Fan Support of 35 lbs. (15.9 kg) or less". Use only the screws provided with the outlet box.

# WARNING

The supplier warrants the fan motor to be free from defects in workmanship and material present at the time of shipment from the factory for a lifetime after the date of purchase by the original purchaser. The supplier also warrants that all other fan parts, excluding any glass or acrylic blades, to be free from defects in workmanship and material at the time of shipment from the factory for a period of two years after the date of purchase by the original purchaser. We agree to correct such defects without charge or at our option to replace with a comparable or superior model if the product is returned.

To obtain warranty service, you must present a copy of the receipt as proof of purchase. All costs of removing and re-installing the product are your responsibility. Damage to any part such as by accident, misuse, improper installation, or by affixing any accessories, is not covered by this warranty.

Because of varying climatic conditions this warranty does not cover any changes in brass finish, including rusting, pitting, corroding, tarnishing, or peeling. Brass finishes of this type give their longest useful life when protected from varying weather conditions. A certain amount of "wobble" is normal and should not be considered a defect.

Servicing performed by unauthorized persons shall render the warranty invalid. There is no other express warranty. We hereby disclaims any and all warranties, including but not limited to those of merchant ability and fitness for a particular purpose to the extent permitted by law. The duration of any implied warranty which cannot be disclaimed is limited to the time period as specified in the express warranty. Some states do not allow a limitation on how long an implied warranty lasts, so the above limitation may not apply to you.

The retailer shall not be liable for incidental, consequential, or special damages arising out of or in connection with product use or performance except as may otherwise be accorded by law. Some states do not allow the exclusion of incidental or consequential damages, so the above exclusion or limitation may not apply to you. This warranty gives specific legal rights, and you may also have other rights which vary from state to state. This warranty supersedes all prior warranties. Shipping costs for any return of product as part of a claim on the warranty must be paid by the customer.

# PREPARATION

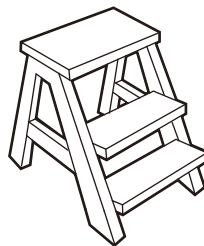
## TOOLS REQUIRED



⊕ Phillips screwdriver



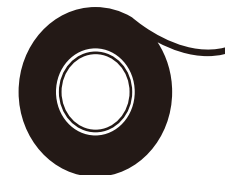
⊖ Flat blade screwdriver



Step ladder





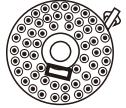
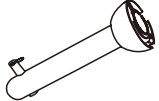
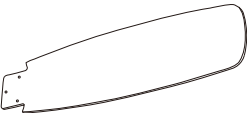



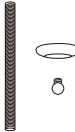
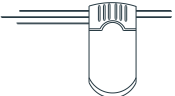
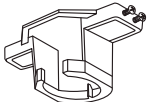

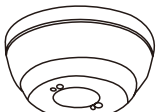
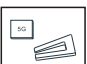
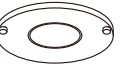

Wire stripper



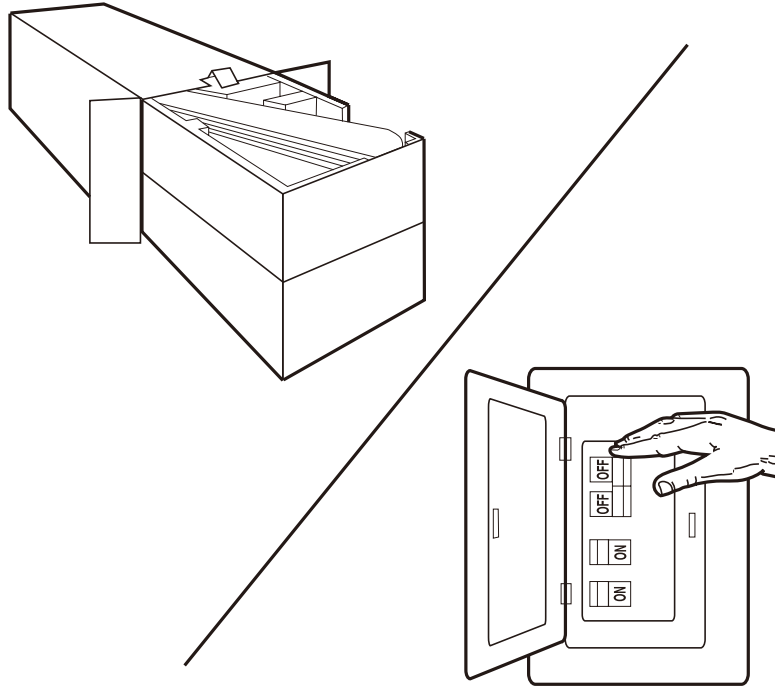
Electrical tape

- \* Before beginning assembly of product, make sure all parts are present. Compare parts with package contents list and hardware contents list.
- \* If any part is missing or damaged, do not attempt to assemble the product.
- \* Estimated Assembly Time: 30 minutes.
- \* If you are having difficulty, our friendly Customer Care team is always here to help.

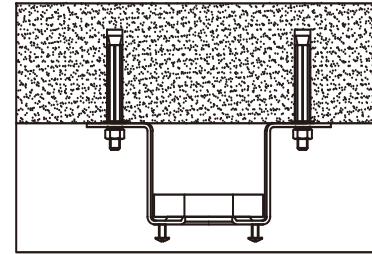
# Part List and Hardware List

PIECE	DESCRIPTION	PICTURE	QUANTITY	PIECE	DESCRIPTION	PICTURE	QUANTITY
A	Fan-Motor assembly		1X	I	Downrod assembly 25cm		1X
B	LED light kit		1X	J	Downrod assembly 12.5cm		1X
C	Fan Blade		4X	K	Coupling cover		1X
D	Lampshade		1X	L	Remote control (Transmitter)		1X
E	Light kit fitter assembly		1X	M	Remote control (Receiver)		1X
F	Mounting Bracket		1X	N	Wire nut		5X
G	Canopy		1X	O	Balanced package		1X
H	Canopy cover		1X	P	Screw package		1X

# STEP 1: INSTALLATION OF THE HANGING BRACKET

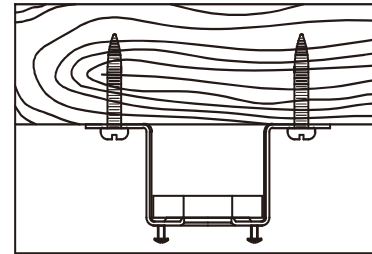


Unpack and inspect fan carefully to be certain all contents are included.  
Turn off power at fuse box to avoid possible electrical shock.



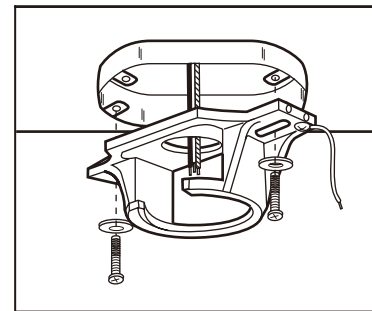
FOR CONCRETE CEILING

Make sure that the clearance between the door and the fan blade tips is at least 2.13 metres and at least 1 metre between tip of blades and walls or any objects.



FOR WOOD CEILING

Install the hanger with the correct screws as shown in the figure.



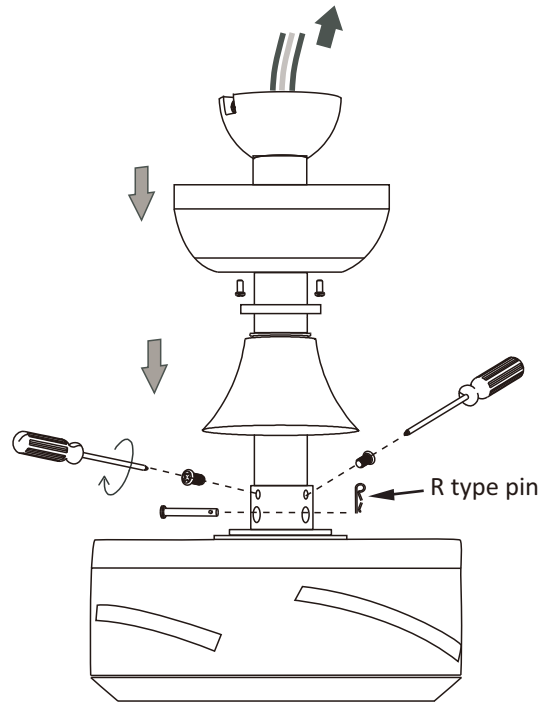
FOR OUTLET BOX

Install mounting bracket to outlet box in ceiling using the screws and washers provided with the outlet box.

# STEP 2: HANGING THE FAN

## 1. install downrod assembly

1. Thread the suspender through the suspended clock and coupling cover.
2. Then insert the tail of the suspender from the lifting head of the motor.
3. Remove the lateral pin out from the suspended head position, secure with R type pin(Clevis pin).
4. Tighten the lifting head screws. Tighten the 2 Set Screws on the Coupling to serve as a clamping force on the Downrod to prevent fan shaking during operation.
5. Route the Coupling cover, Canopy Ring, Canopy and Hanger Ball through the Downrod in turn, and then install the Lock pin through the hole on the Downrod. Fix it by Screw, then slip down the Coupling Cover in correct position.

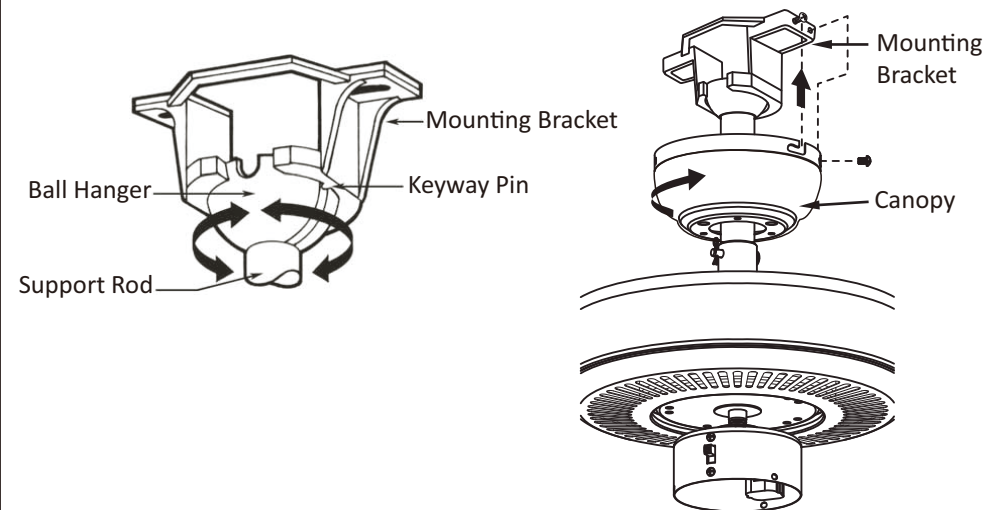


## 2. Suspended Installation

1. Notice the half ball on the end of the support rod is grooved down one side. This key way fits over the small keyway pin on the inside of the mounting bracket and keeps the ceiling fan from spinning on the mounting bracket.
2. Using your step ladder, lift the fan and place the half ball center of the mounting bracket with the key pin inserted into the keyway on the ball. Turn the fan left and right slightly to make sure it is seated on the bracket with the keyway.
3. Slide the canopy up into place over the ceiling mounting bracket. Loosen up the canopy screws on the side of the canopy screws. Press the canopy against the mounting bracket and turn it clockwise. Tighten screws on the J Slots and install the two screws in the remaining holes.

### ⚠ WARNING

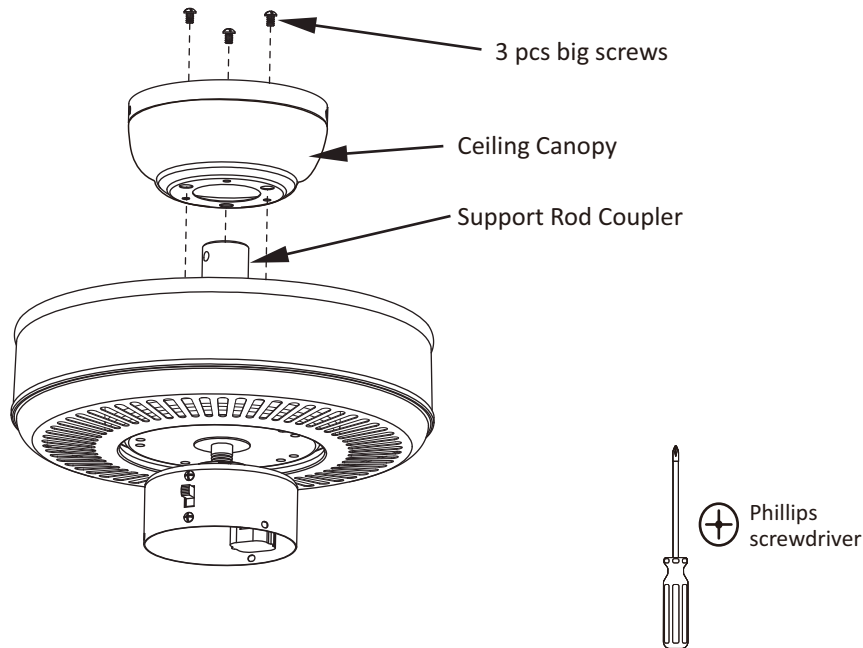
WARNING: Failure to properly install the locking pin could result in the fan becoming loose and possibly falling.



# HANGING THE FAN

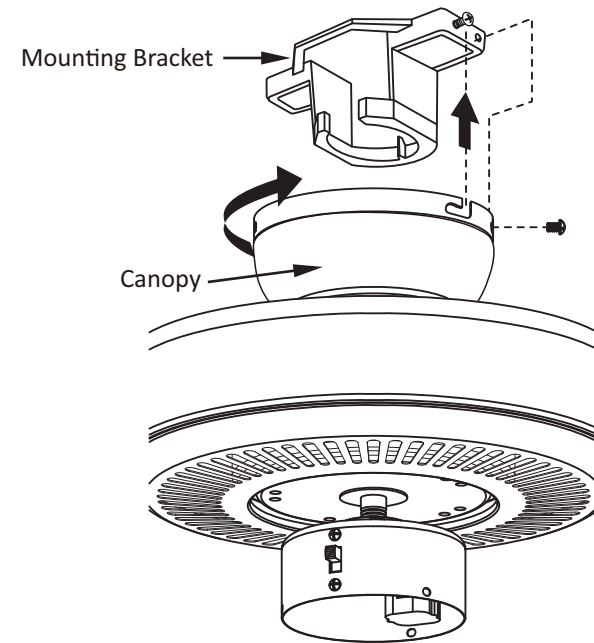
## 1. Install flushmount assembly Flushmount Installation Only

1. Loosen the set screws in the support rod coupler located on the top center of the motor housing until the inside channel is clear.
2. Remove and save the safety screw from the coupler.
3. Place the ceiling canopy on the top of the motor housing and secure with the three mounting screws.



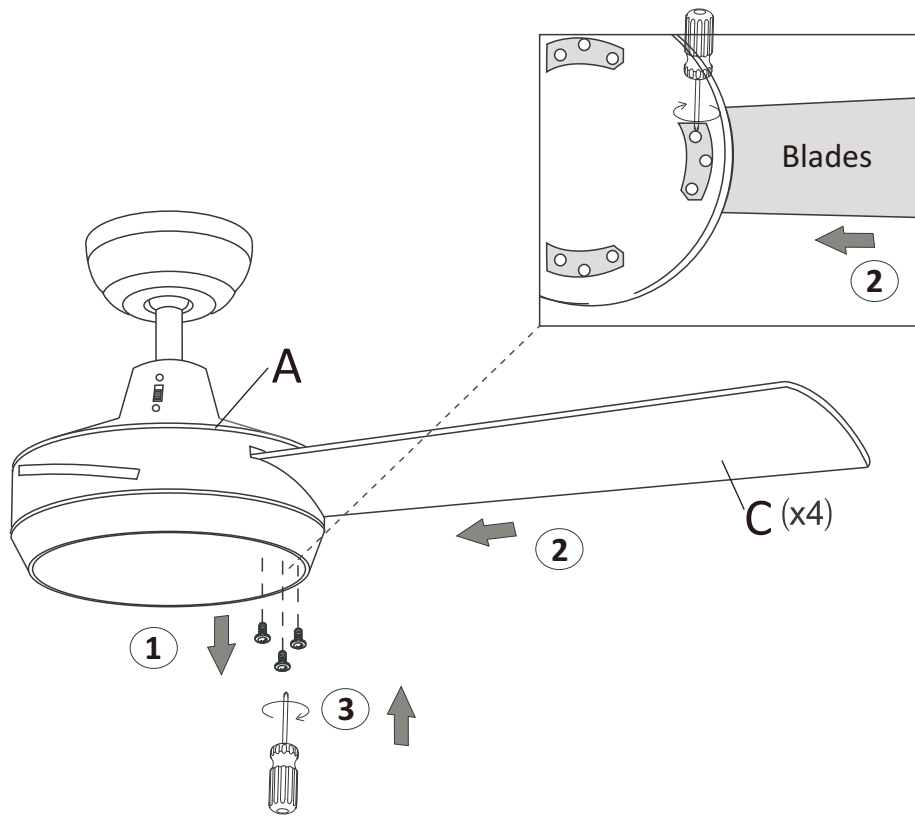
## 2. Flushmount Installation

Slide the canopy up into place over the ceiling mounting bracket. Loosen up the canopy screws on the side of the canopy. Press the canopy against the mounting bracket and turn it clockwise. Tighten screws on the J Slots and install the two screws in the remaining holes .

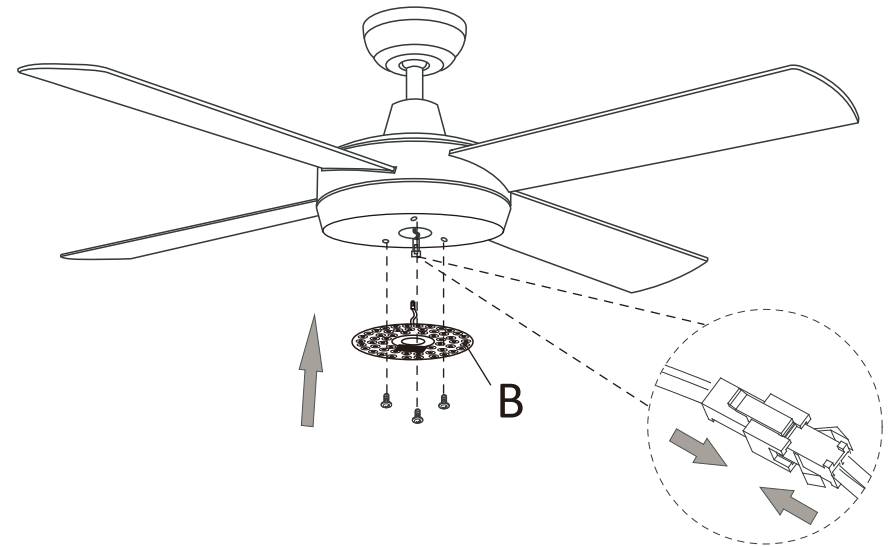


# STEP 3: ATTACHING THE FAN BLADES AND LIGHTS

## 1. Fastening the blade to the motor

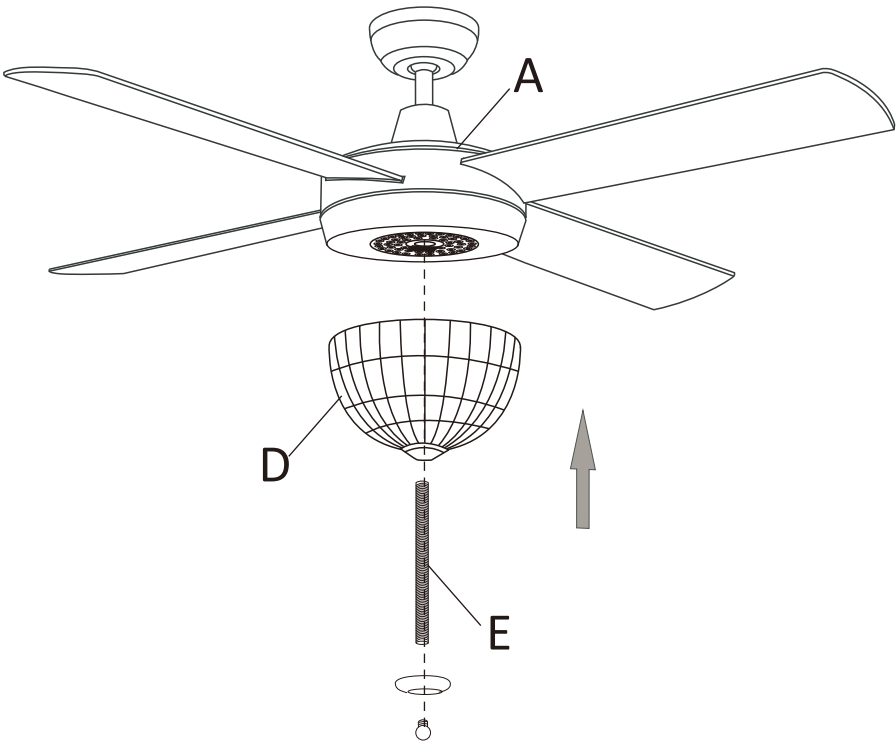


## 2. Connecting lamp wire

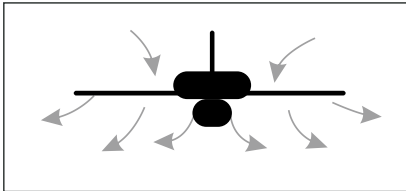
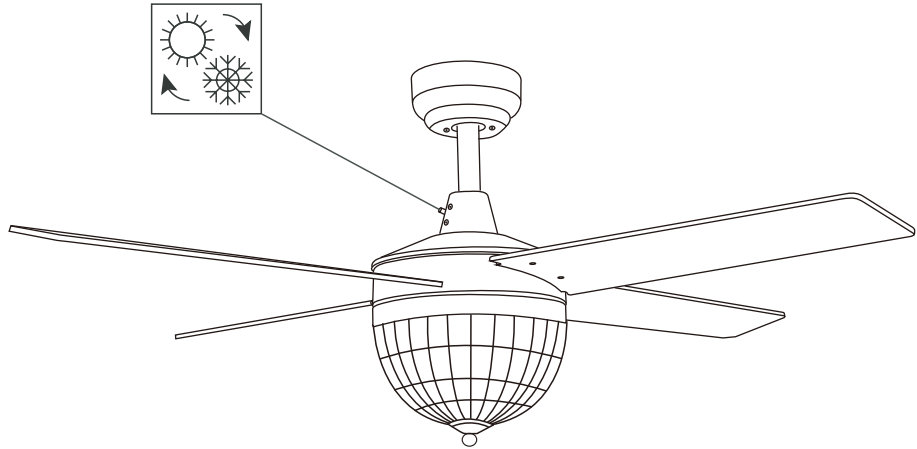


# STEP 4: ATTACHING THE SHADE & OPERATION

## 3. Install the lamp shade

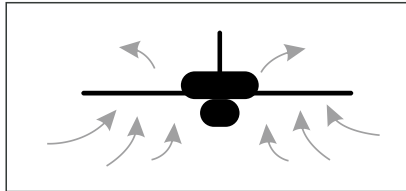


## Operating your fan



### SUMMER

Air is blown down  
Producing a cool breeze



### WINTER

An upward airflow  
will push warm air off the ceiling  
and circulate it downwards

# STEP 5: USE OF REMOTE CONTROL & MAKING THE ELECTRICAL CONNECTIONS



LIGHT NO / OFF



Auto off after 1hr



Auto off after 2hr



Auto off after 4hr



Auto off after 8hr



Fan speed Low Leve



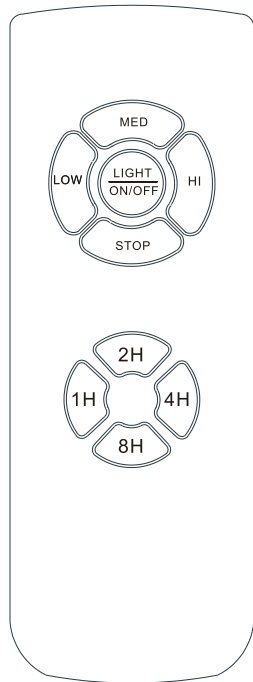
Fan speed Middle Leve



Fan speed High leve



FAN STOP



remote control <ONLY>



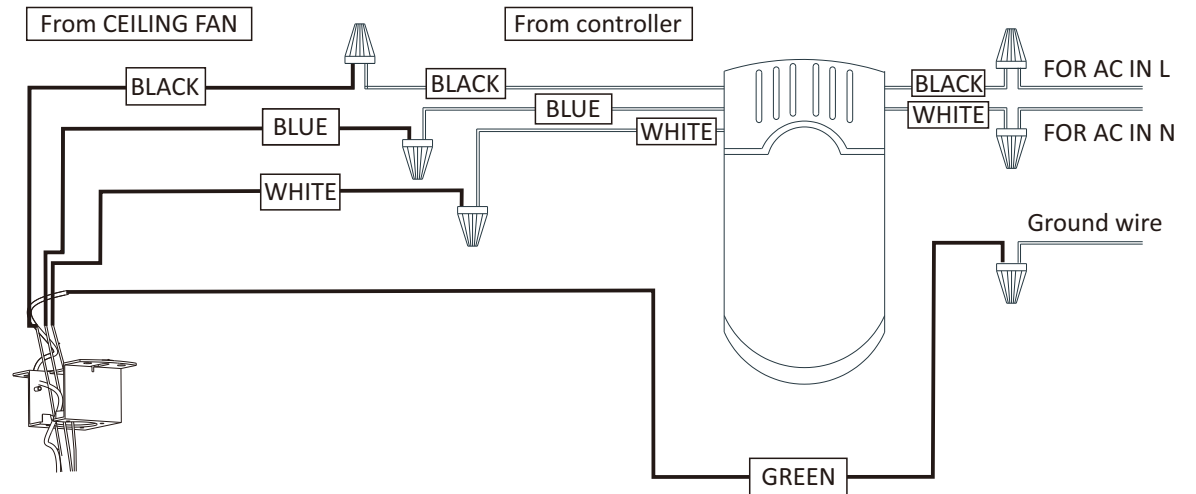
**WARNING:** Each wire not supplied with this fans is designed to accept up to one 12-gauge house wire and two wires from the fan .  
If you have larger than 12-gauge house wiring or more than one house wire to connect to the fan wiring , cnsult an electrician for the proper size wire nuts to use.



**IMPORTANT:** Use the plastic wire connectors supplied with your fan. Secure the connectors with electrical tape and ensure there are no loose strands or connections.



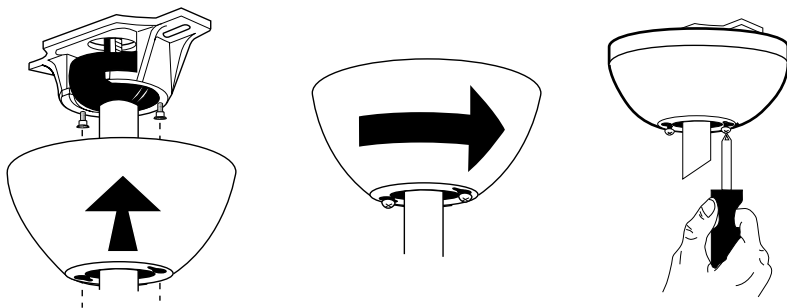
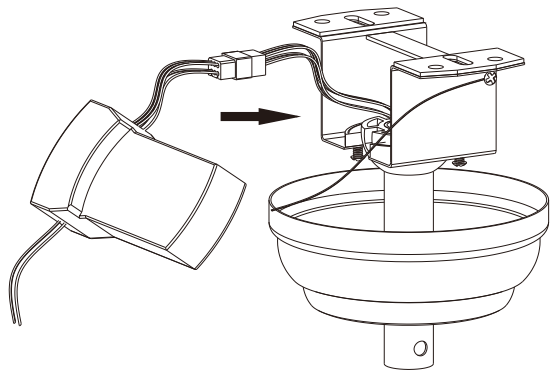
**NOTE :** The fan comes with 54in. Lead wires for use with an extended ball / downrod assembly If using the 4.5 in . Ball / downrod assembly provided youcan cut the lead wires to your desired length ( no sooner than 12 in )



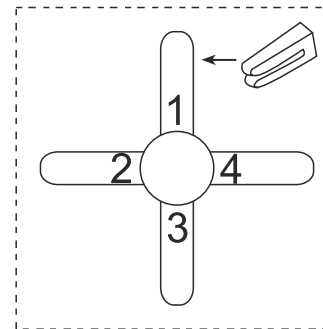
- The motor **white** wire to the **white** "To MOTOR N" wire from Recevier with a wire nut.
  - The motor **black** wire to the **black** "to motor L" wire from Receivc with a wire nutd.
  - c.The lamp **blue** wire to the **blue** "to Light" wire from Receiver with a wire nutd.
  - d.The **white** wire from Outlet Box to the red "AC in N" wire from Receiver with a wire nute.
  - e. The **black** wire from Outlet Box to the red "AC in L" from Receiver with a wire nut.
- Connect the supply ground wire to green ground wire from canopy and the green ground wire from nuts and wires carefully up into the Outlet Box.  
EXCEPT antenna which should remain outside Outlet Box.

# STEP 6: INSTALL REMOTE CONTROL & FAN BALANCE

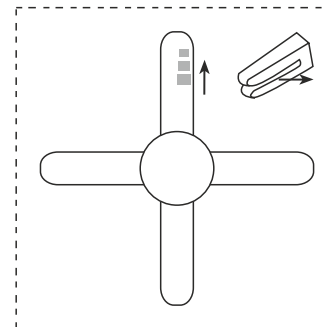
1. Carefully push the canopy to the bottom of the mounting bracket, make two sliding holes aligned to the two prominent screws on the mounting bracket, and then turn clockwise until tight.
2. Push the canopy ring to the bottom of the canopy, slide the inner holes aligned to the two prominent screws on the mounting bracket again, and turn the canopy ring clockwise until tight.



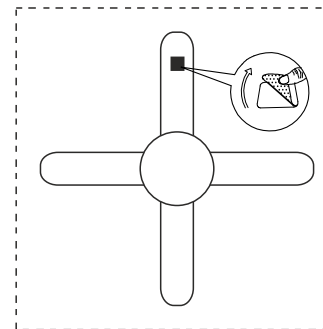
## ADJUSTING AND BALANCING YOUR CEILING FAN BLADES



Slide the balancing clip on the trailing edge of any blade, halfway between the holder and tip. Run the fan to check the wobble. If the wobble persists, repeat with each blade, noting which one most reduced the wobble.



Slide the clip in small increments away from the center of that blade. Move the clip, operate the fan, then move it again until you eliminate as much wobble as possible.



Stick the adhesive-backed balancing weight on the top center of the blade directly in line with the balancing clip. Add more weight if needed to get a smooth-running fan.

# CARE AND CLEANING & TROUBLE SHOOTING

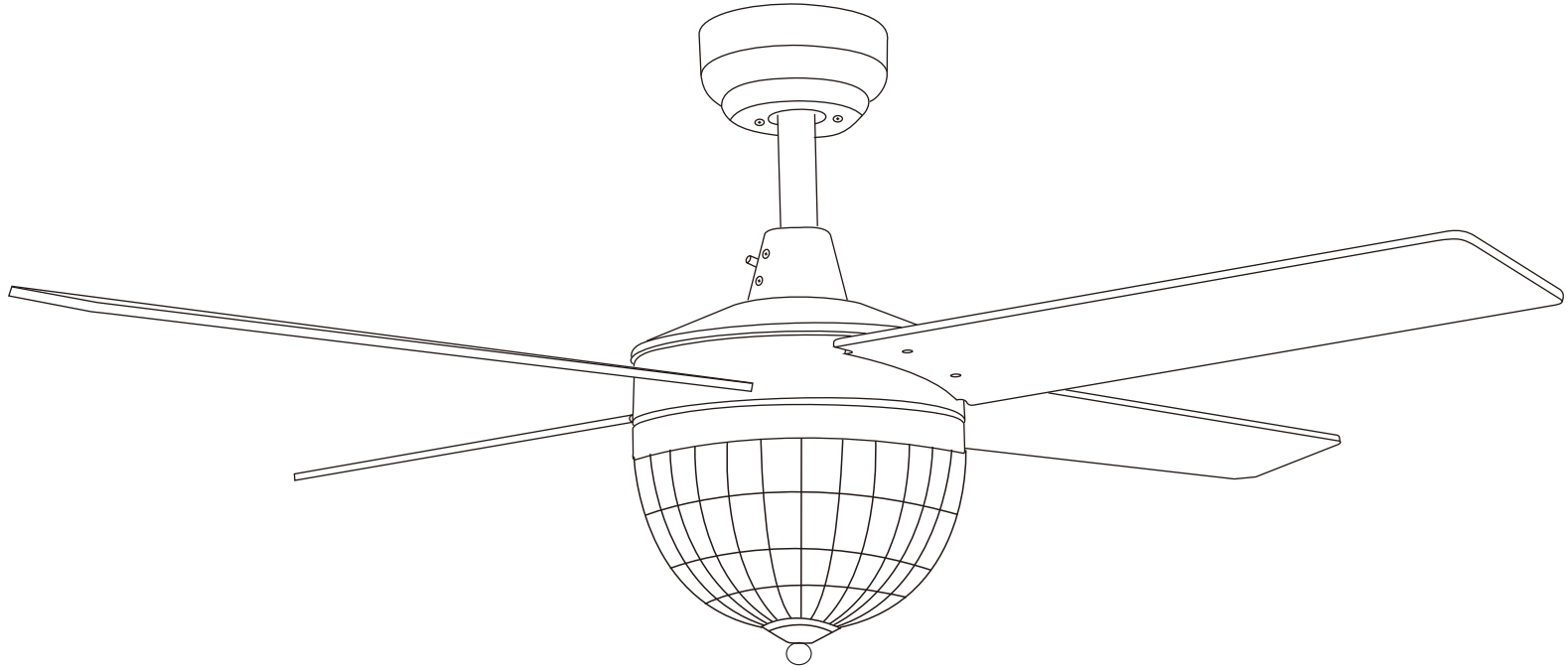


**WARNING :** Make sure the power is off before cleaning your fan.

- Because of the fan's natural movement, some connections may become loose. Check the support connections, brackets, and blade attachments twice a year. Make sure they are secure. It is not necessary to remove the fan from the ceiling.
- Clean your fan periodically to help maintain its new appearance over the years. Do not use water when cleaning, as this could damage the motor, or the wood, or possibly cause an electrical shock. Use only a soft brush or lint-free cloth to avoid scratching the finish. The plating is sealed with a lacquer to minimize discoloration or tarnishing.
- You can apply a light coat of furniture polish to the wood for additional protection and enhanced beauty. Cover small scratches with a light application of shoe polish.
- You do not need to oil your fan. The motor has permanently-lubricated sealed ball bearings.

Problem	Solution
The fan will not start	<ul style="list-style-type: none"> <li>□ Check the main and branch circuit fuses or breakers.</li> <li>□ Check the line wire connections to the fan and switch wire connections in the switch housing.</li> </ul>
The fan is noisy	<ul style="list-style-type: none"> <li>□ Ensure all motor housing screws are snug.</li> <li>□ Ensure the screws that attach the fan blade bracket to the motor hub are tight.</li> <li>□ Ensure the wire nut connections are not ratting against each other or the interior wall of the switch housing.</li> <li>□ Allow a 24-hour "breaking in" period . Most noises associated with a new fan disappear during this time.</li> <li>□ If you are using ceiling Fan light kit ensure the screws securing the glassware are tight . Check that the light bulbs are also secure.</li> <li>□ Ensure the canopy is a short distance from the ceiling . It should not touch the ceiling.</li> <li>□ Ensure your outlet box is secure and rubber isolator pads wereused between the mounting plate and outlet box.</li> </ul>
The fan wobbles	<ul style="list-style-type: none"> <li>□ Please check and follow the instructions: Chapitre Fan balance on page 12.</li> </ul>

Remote control fan



**USE AND CARE GUIDE**  
**52-INCH CEILING FAN**