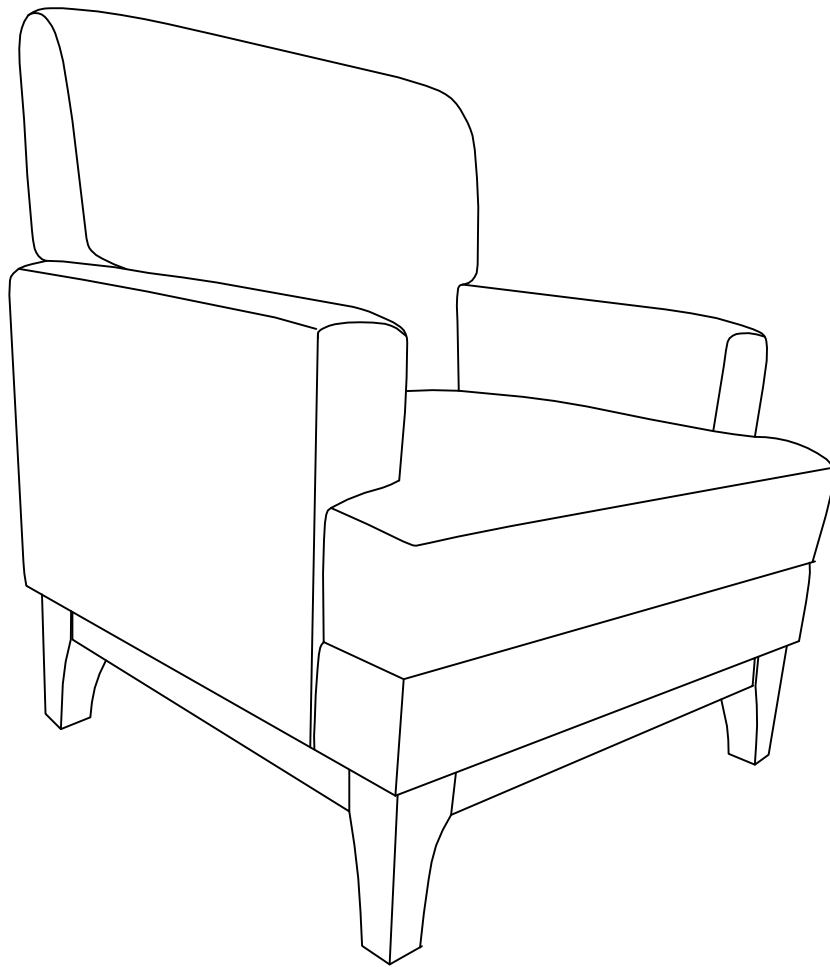
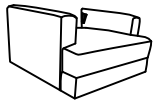


# ASSEMBLY INSTRUCTION



①	CHAIR BODY		1 PC
②	CHAIR BACK		1 PC
③	LEG		4 PCS



A Allen key\*1 (4mm)



B Bolt  $\text{\O}5/16''$ -50mm \*8

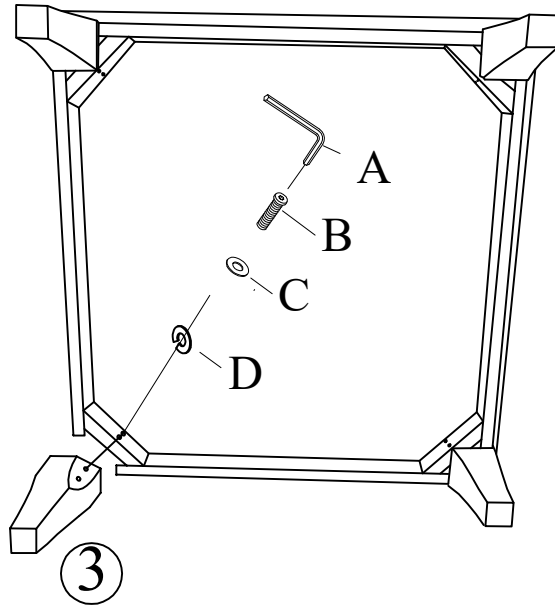


C Washer  $5/16''$ \*8



D Spring Washer  $5/16''$ \*8

## STEP 1



## STEP 2

