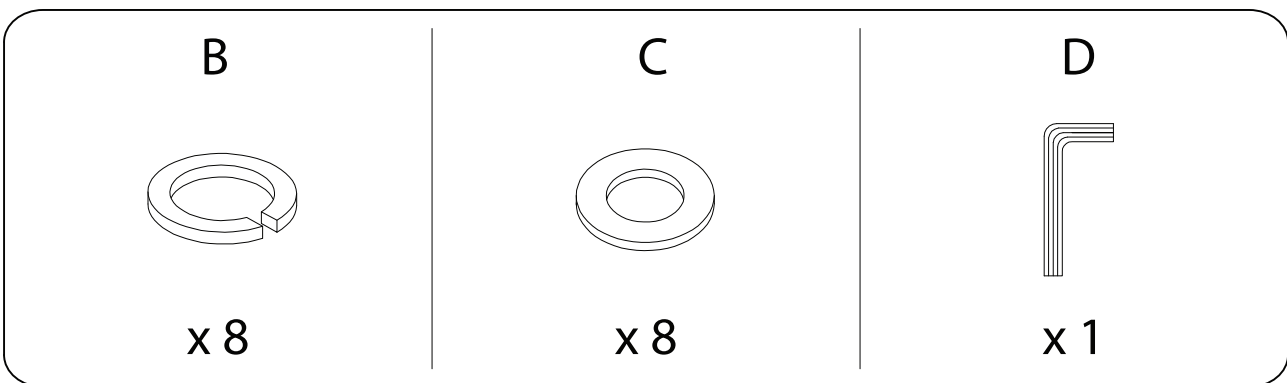
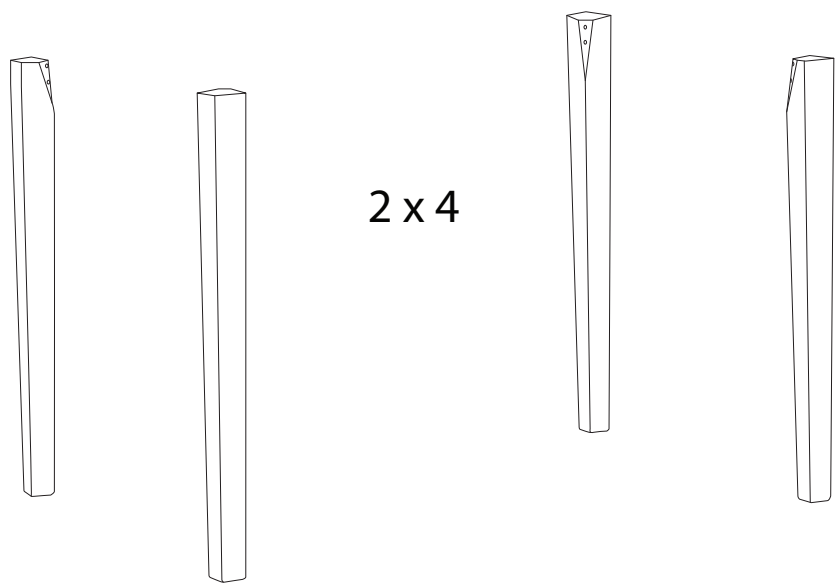
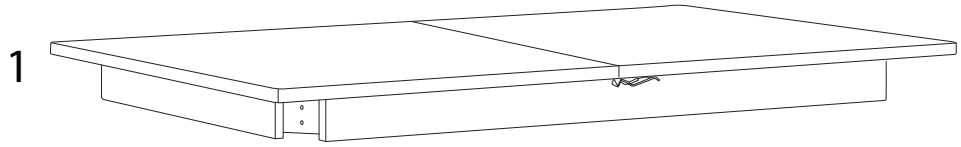
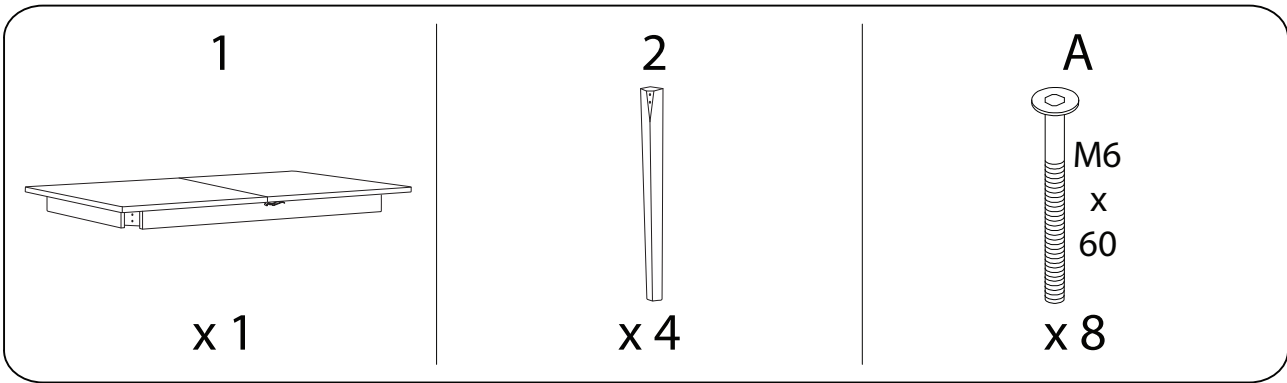
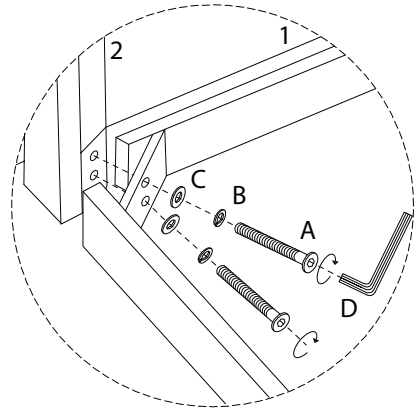
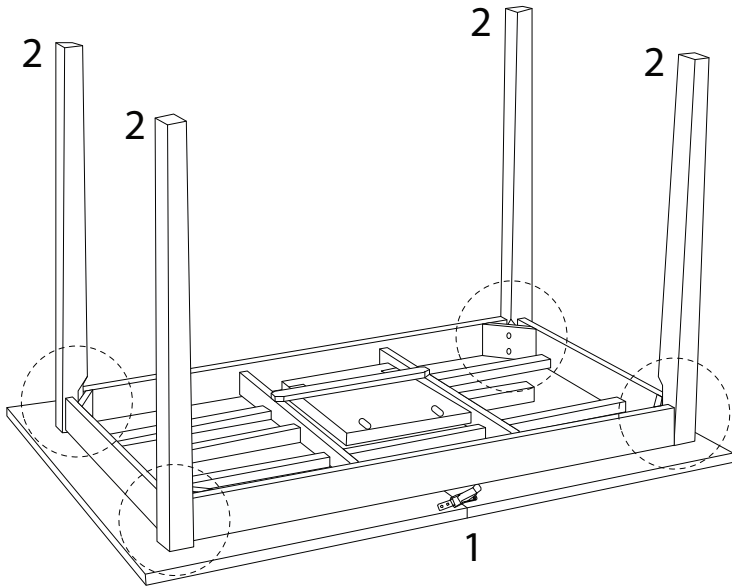
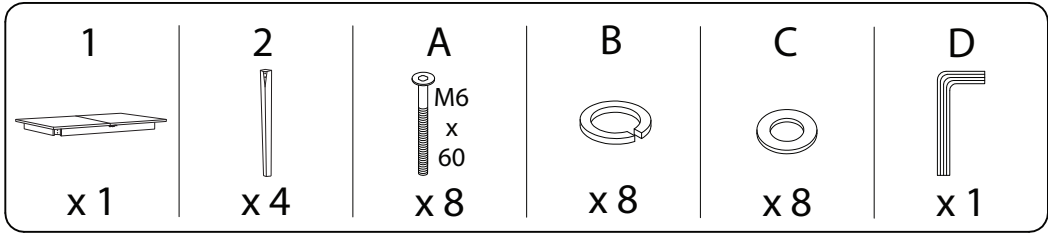


Diagram illustrating assembly instructions and safety warnings:

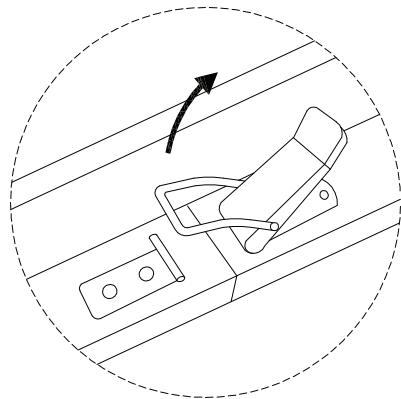
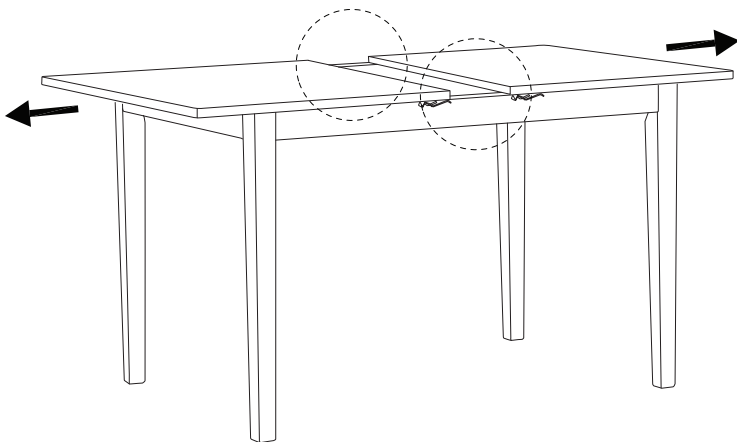
- Warning 1:** A triangle with an exclamation mark points to a box containing an L-shaped bracket and a power drill with a slash through it, indicating that a power drill should not be used for this step.
- Warning 2:** A triangle with an exclamation mark points to a box containing a rectangular block being placed on a surface and a diagram showing a block being secured with a screw from underneath, indicating a specific assembly method.
- Time:** A clock icon is positioned above the number "20'", indicating a 20-minute assembly time.
- Personnel:** A stick figure icon is positioned above the number "2", indicating that two people are required for assembly.



1



2



3

