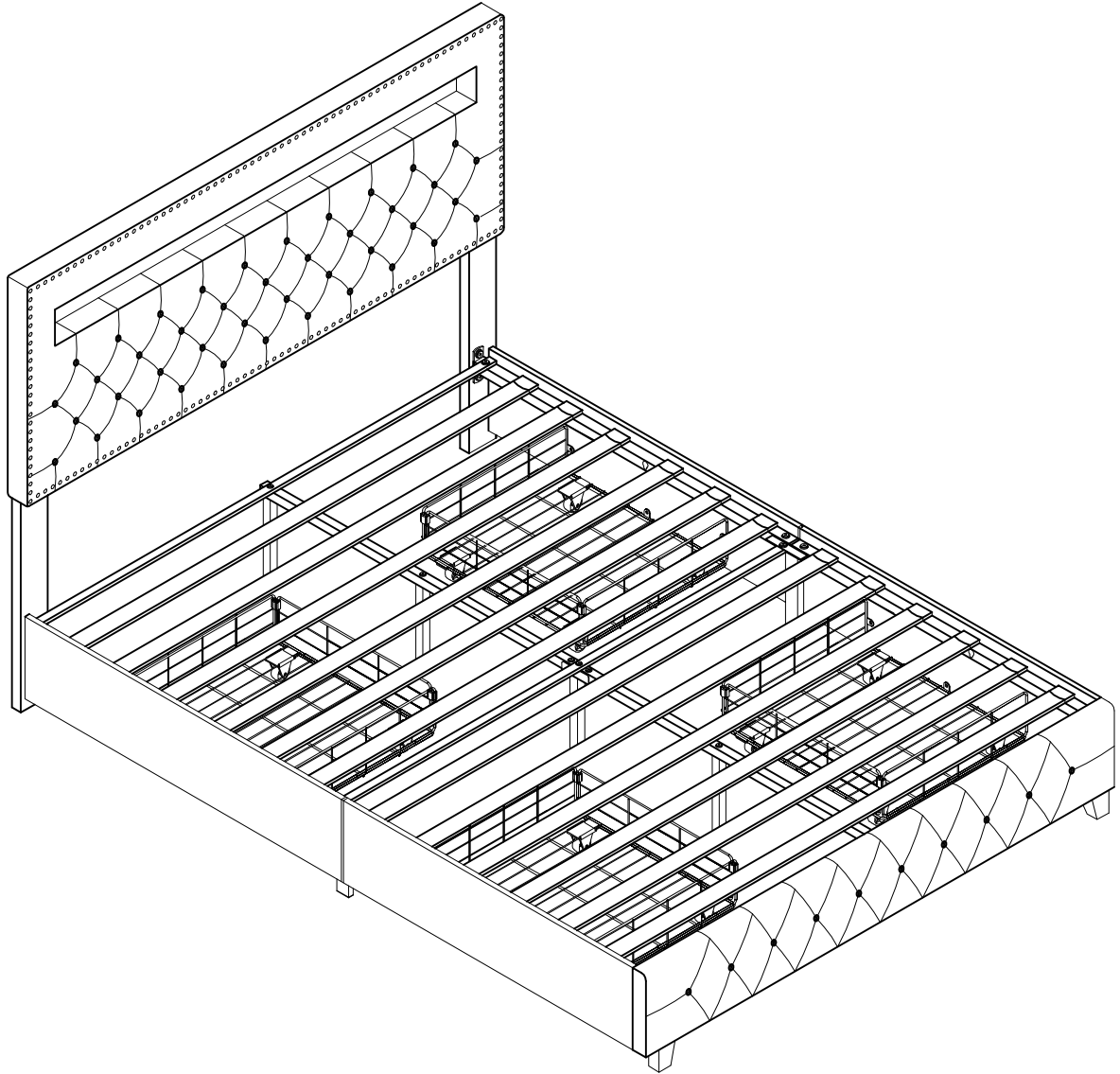
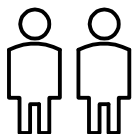


ASSEMBLY INSTRUCTION



Up to 2 hour approx
assembly time



Two person
assembly

Upholstered Bed Frame
FULL/QUEEN SIZE

FCC Warning Statement

Changes or modifications not expressly approved by the party responsible for compliance could void the user's authority to operate the equipment.

This equipment has been tested and found to comply with the limits for a Class B digital device, pursuant to Part 15 of the FCC Rules. These limits are designed to provide reasonable protection against harmful interference in a residential installation. This equipment generates uses and can radiate radio frequency energy and, if not installed and used in accordance with the instructions, may cause harmful interference to radio communications. However, there is no guarantee that interference will not occur in a particular installation. If this equipment does cause harmful interference to radio or television reception, which can be determined by turning the equipment off and on, the user is encouraged to try to correct the interference by one or more of the following measures:

- Reorient or relocate the receiving antenna.
- Increase the separation between the equipment and receiver.
- Connect the equipment into an outlet on a circuit different from that to which the receiver is connected.
- Consult the dealer or an experienced radio/TV technician for help.

This device complies with Part 15 of the FCC Rules. Operation is subject to the following two conditions:

- (1) This device may not cause harmful interference, and
- (2) This device must accept any interference received, including interference that may cause undesired operation.

This equipment complies with FCC radiation exposure limits set forth for an uncontrolled environment. This equipment should be installed and operated with minimum distance 20cm between the radiator & your body.

Important

Assembly Tip

Before you begin, it's best to identify all of the parts and fittings to build your bed frame. We advise laying these out on the floor to check you have everything, and to familiarise yourself with all of the parts and fittings before building.

Top Tip

We recommend that you build your new bed frame in the room you'd like it to be located. This will help prevent any risk of damage to the frame whilst moving it.

Safety and Care

It's important to ensure children and animals are kept away from the assembly area, as there are small components used in this bed frame which could present a choking hazard. All plastic and wrapping materials should also be kept away from children and animals to prevent any risk of suffocation.

Help and Support

Please contact our customer service team if you have any questions or issues with your purchase.

Recycling

Please ensure that packaging is disposed of in a safe environmentally friendly way, and recycle where possible. Please keep and your assembly instructions safe to refer back to in the future.

INTRODUCTION

Thank you for purchasing our products. Please read the instructions carefully before installation and keep it in a safe place for future reference. If you need any assistance or support, please feel free to contact our customer support team.

PRECAUTIONS

.1 There are many components and accessories in the package. Each component and accessory is labeled with a letter or a number, check carefully before using any of them. Keep them away from children to prevent accidents.

.2 Please install the product on a clean and soft underlay (such as carpet or cardboard) to avoid scratching or damaging the surface of the product.

.3 The main components of the product are relatively heavy. Please pay attention to safety during installation.

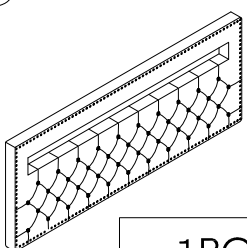
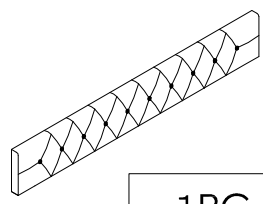
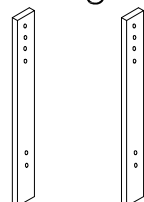
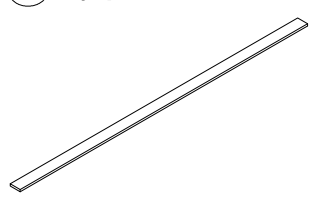
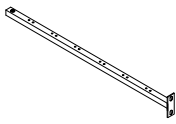
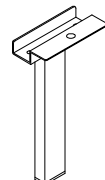


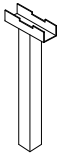
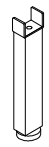
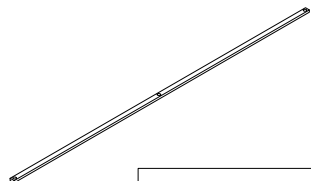
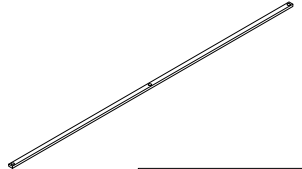
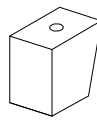
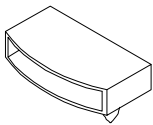
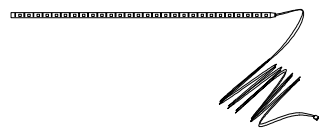
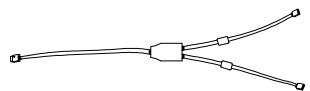
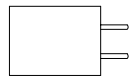
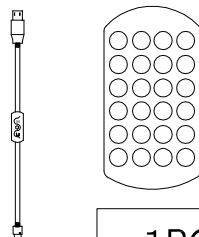
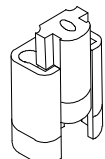
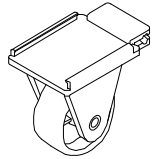

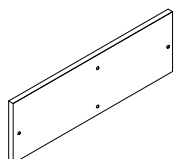

.4 The product is not stable during installation. Please do not move it randomly before it is completely installed.

.5 If you have any questions during installation, please contact the customer service in time.

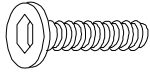
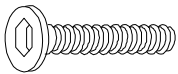
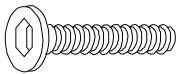


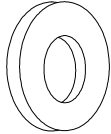
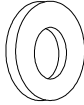



***PLEASE BE SURE TO FOLLOW THE INSTALLATION STEPS IN THE MANUAL TO AVOID UNNECESSARY LOSSES CAUSED BY IMPROPER INSTALLATION.**

***IF YOU NEED FURTHER ASSISTANCE, PLEASE CONTACT THE CUSTOMER SERVICE ONLINE.**

PARTS LIST

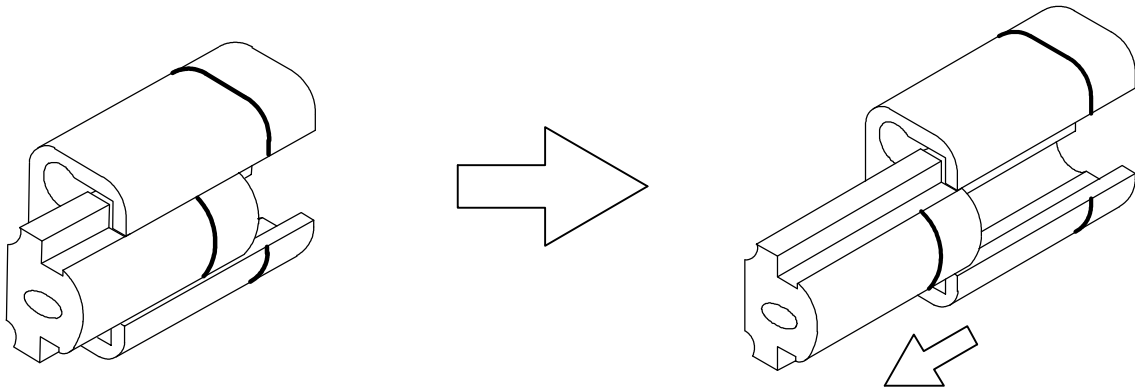
<p>① Headboard</p>  <p style="text-align: center; border: 1px solid black; padding: 2px;">1PC</p>	<p>② Footboard</p>  <p style="text-align: center; border: 1px solid black; padding: 2px;">1PC</p>	<p>③ HB Leg</p>  <p style="text-align: center; border: 1px solid black; padding: 2px;">2PCS</p>	<p>④ Slat</p>  <p style="text-align: center; border: 1px solid black; padding: 2px;">12PCS</p>
<p>⑤ Side cross beam</p>  <p style="text-align: center; border: 1px solid black; padding: 2px;">4PCS</p>	<p>⑥ Side Rail Feet</p>  <p style="text-align: center; border: 1px solid black; padding: 2px;">2PCS</p>	<p>⑦ Center support rail</p>  <p style="text-align: center; border: 1px solid black; padding: 2px;">1PC</p>	<p>⑧ Center support rail</p>  <p style="text-align: center; border: 1px solid black; padding: 2px;">1PC</p>
<p>⑨ Center Support Leg</p>  <p style="text-align: center; border: 1px solid black; padding: 2px;">1PC</p>	<p>⑩ Support Leg</p>  <p style="text-align: center; border: 1px solid black; padding: 2px;">3PCS</p>	<p>⑪ HB cross beam</p>  <p style="text-align: center; border: 1px solid black; padding: 2px;">1PC</p>	<p>⑫ Center cross bar</p>  <p style="text-align: center; border: 1px solid black; padding: 2px;">1PC</p>
<p>⑬ Bed Leg</p>  <p style="text-align: center; border: 1px solid black; padding: 2px;">2PCS</p>	<p>⑭ Edge slab</p>  <p style="text-align: center; border: 1px solid black; padding: 2px;">24+2PCS</p>	<p>⑮ LED light belt</p>  <p style="text-align: center; border: 1px solid black; padding: 2px;">1PC</p>	<p>⑯ USB WIRE</p>  <p style="text-align: center; border: 1px solid black; padding: 2px;">1PC</p>
<p>⑰ POWER</p>  <p style="text-align: center; border: 1px solid black; padding: 2px;">1PC</p>	<p>⑱ REMOTE CONTROL</p>  <p style="text-align: center; border: 1px solid black; padding: 2px;">1PC</p>	<p>⑲ Drawer connector</p>  <p style="text-align: center; border: 1px solid black; padding: 2px;">8+1PCS</p>	<p>⑳ Drawer wheel</p>  <p style="text-align: center; border: 1px solid black; padding: 2px;">16PCS</p>
<p>㉑ Drawer</p>  <p style="text-align: center; border: 1px solid black; padding: 2px;">4PCS</p>	<p>㉒ Drawer panel</p>  <p style="text-align: center; border: 1px solid black; padding: 2px;">4PCS</p>	<p>㉓ Ribbon</p>  <p style="text-align: center; border: 1px solid black; padding: 2px;">8PCS</p>	

HARDWARE LIST

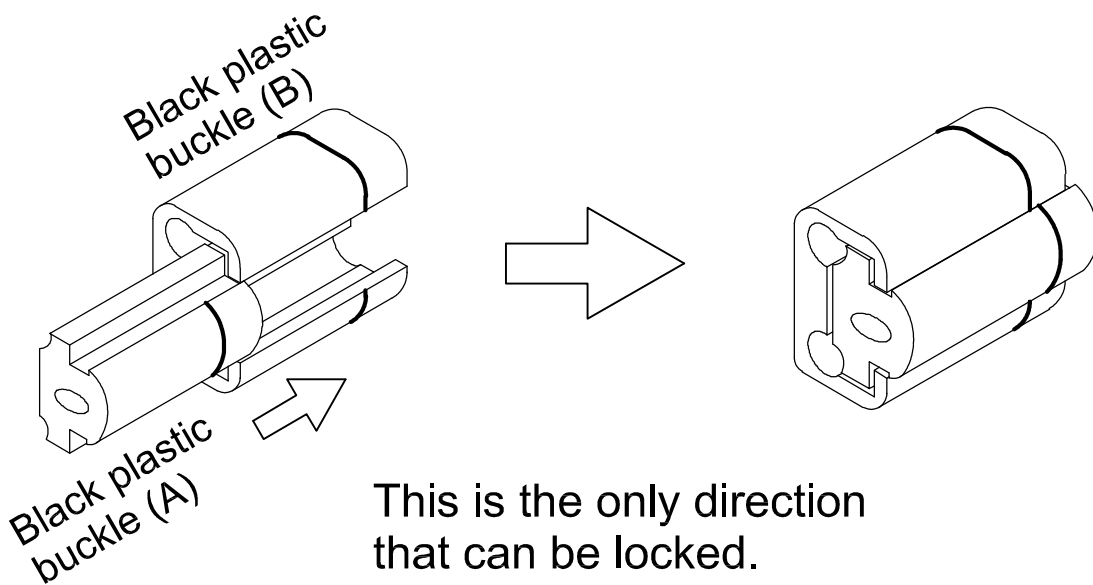
<p>A Screw</p>  <p>5/16"*30mm 10+1PCS</p>	<p>B Screw</p>  <p>5/16"*40mm 12+1PCS</p>	<p>C Screw</p>  <p>5/16"*55mm 6PCS</p>	<p>D Screw</p>  <p>1/4"*15mm 14+2PCS</p>
<p>E Screw</p>  <p>1/4"*20mm 4PCS</p>	<p>F Flat Washer</p>  <p>5/16"*19mm 28+2PCS</p>	<p>G Flat Washer</p>  <p>1/4"*16mm 14+2PCS</p>	<p>H Lock Washer</p>  <p>5/16"*13mm 28+2PCS</p>
<p>I Inner allen wrench</p>  <p>5/16"*100mm 1PC</p>	<p>J Inner allen wrench</p>  <p>1/4"*100mm 1PC</p>		

Assembly Steps

STEP 1:

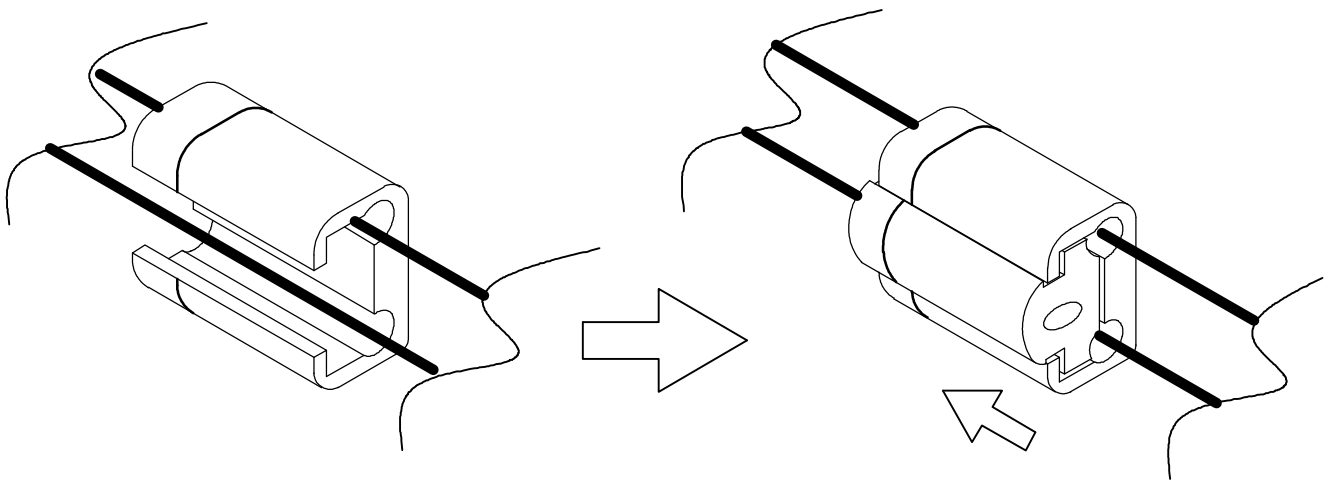


You can pull the buckle out by following the direction indicated by the arrow



This is the only direction that can be locked.

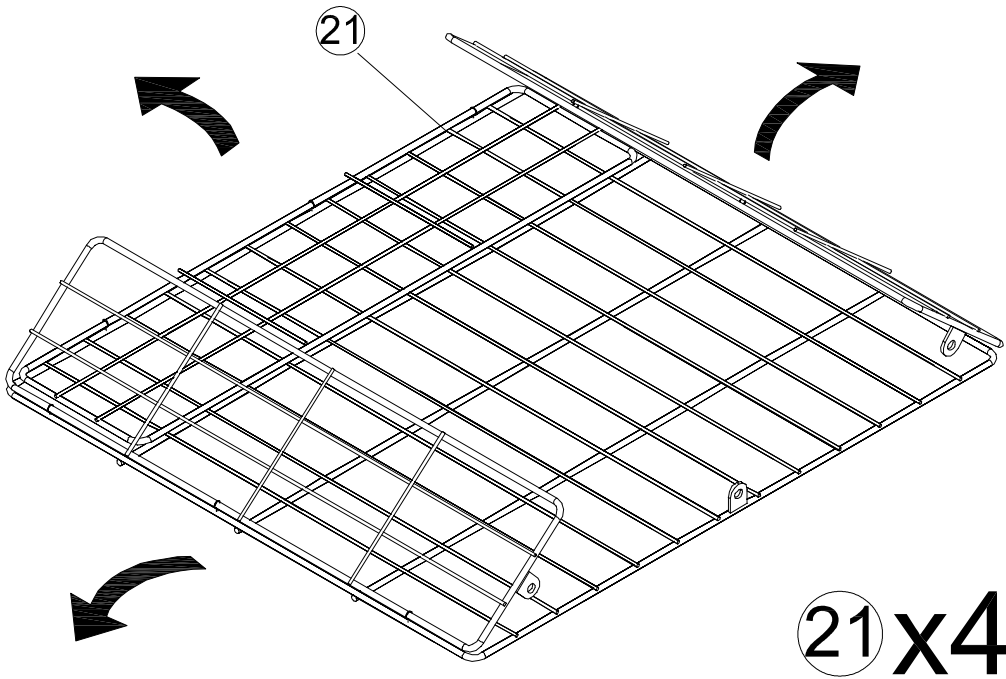
STEP 2:



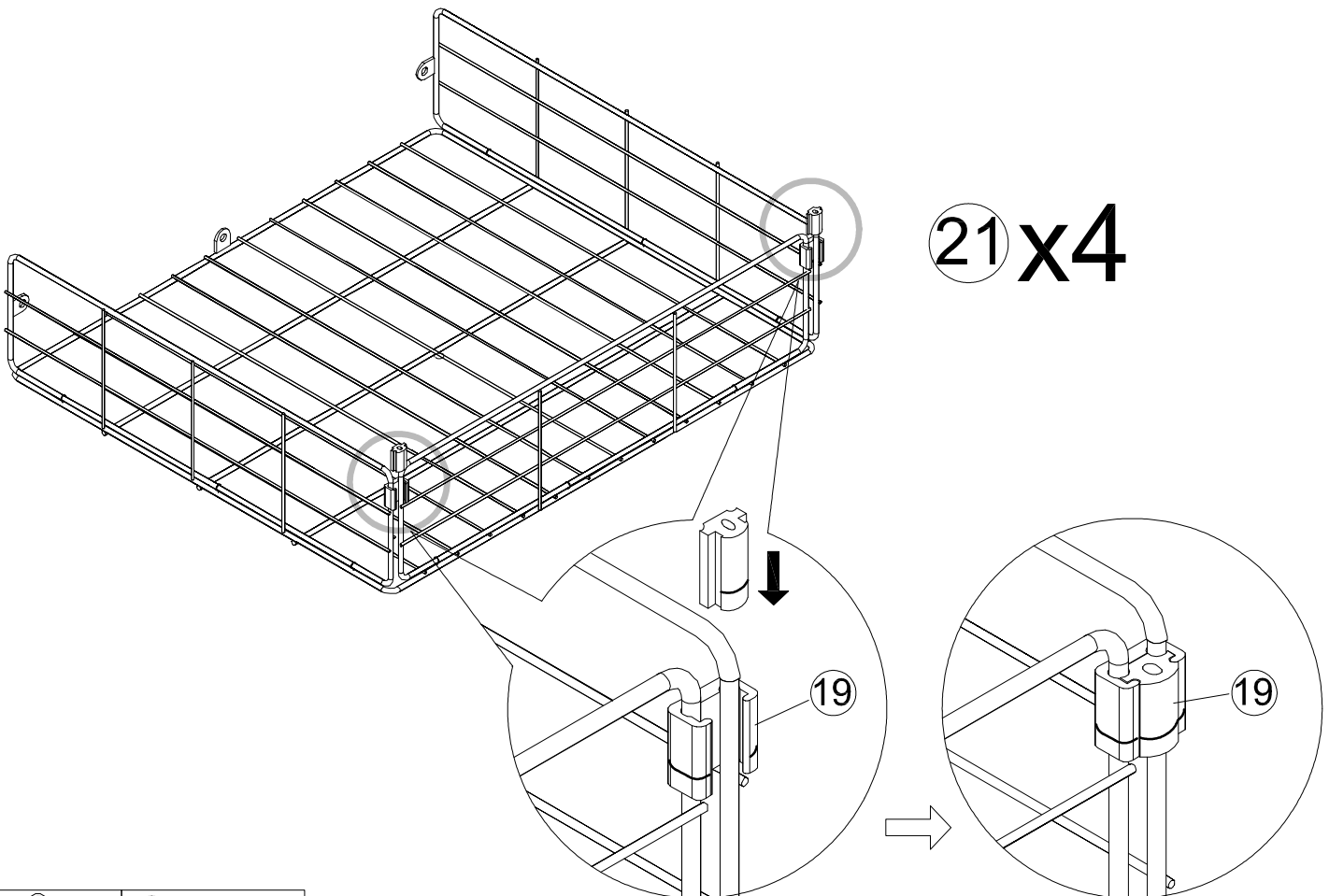
Place round iron tube as shown for better drawer assembly

Assembly Steps

STEP 3:



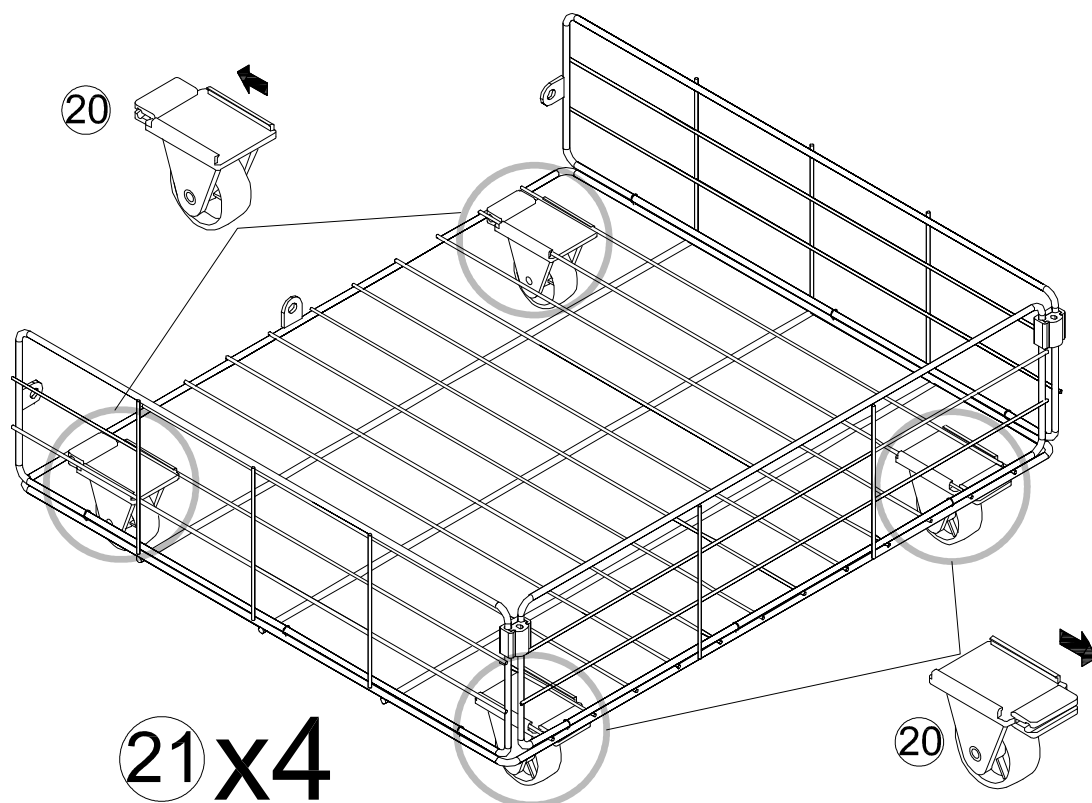
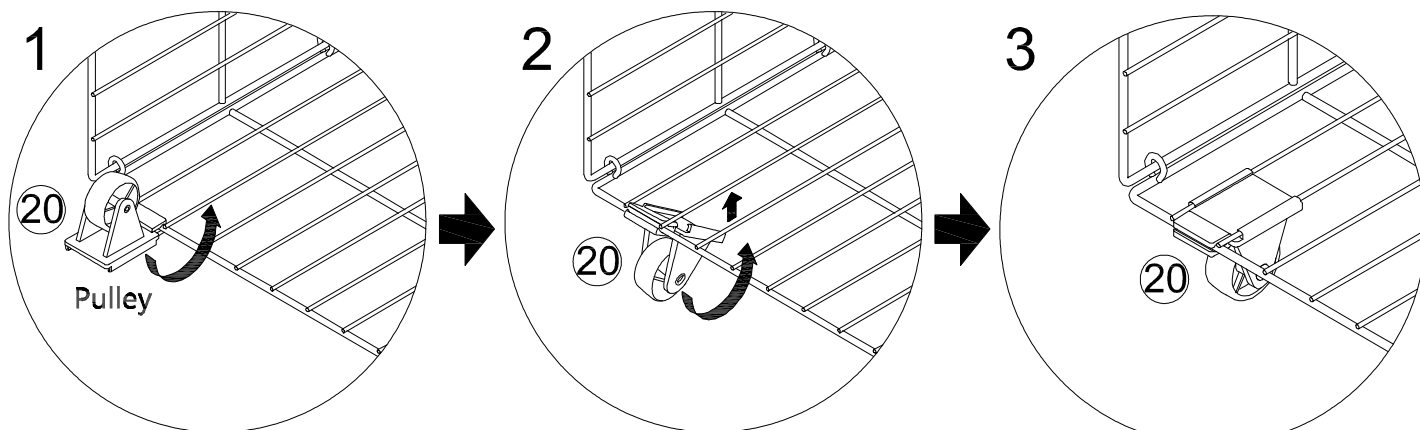
STEP 4:



(19) x 8PCS

Assembly Steps

STEP 5:



Place the round iron tubes as shown for better assembly of the drawers.

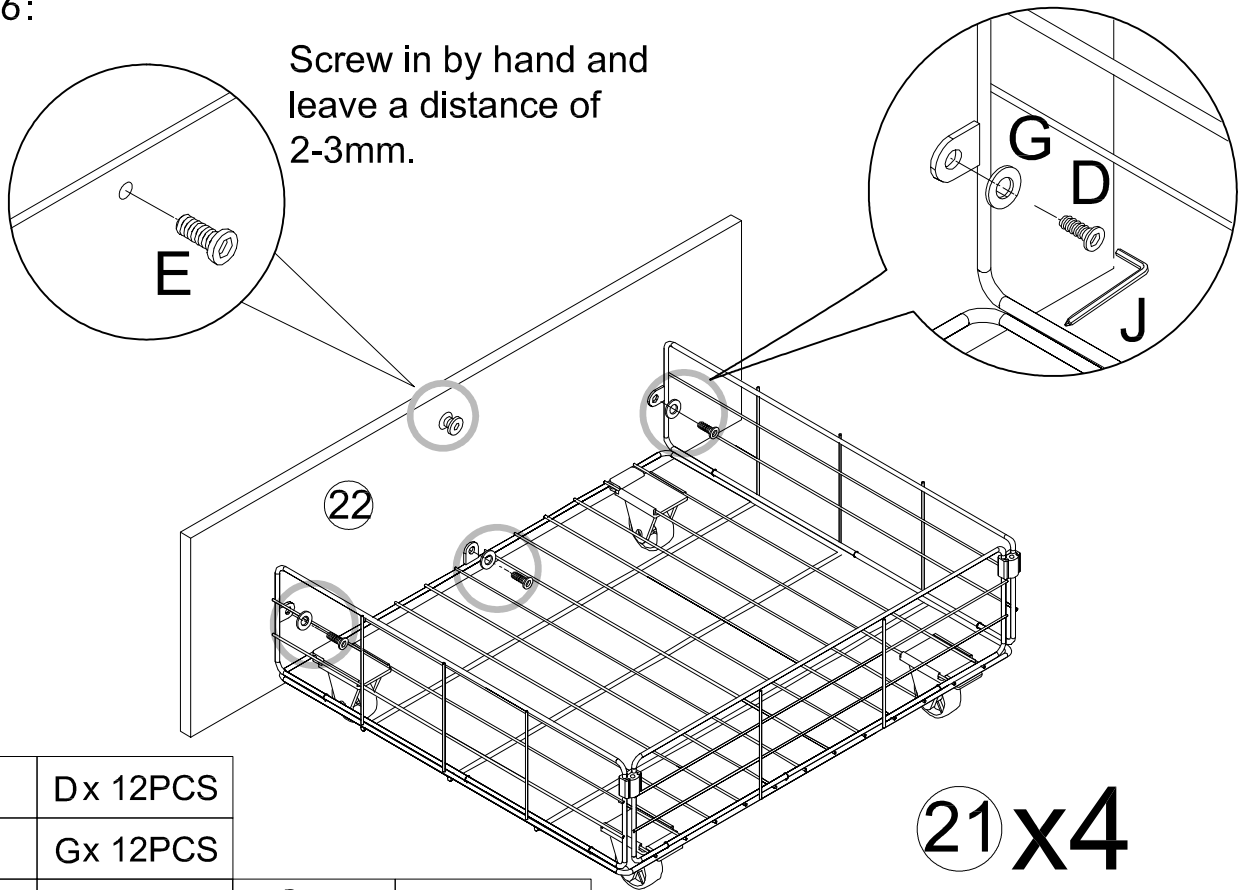





20x 16PCS

Assembly Steps

STEP 6:

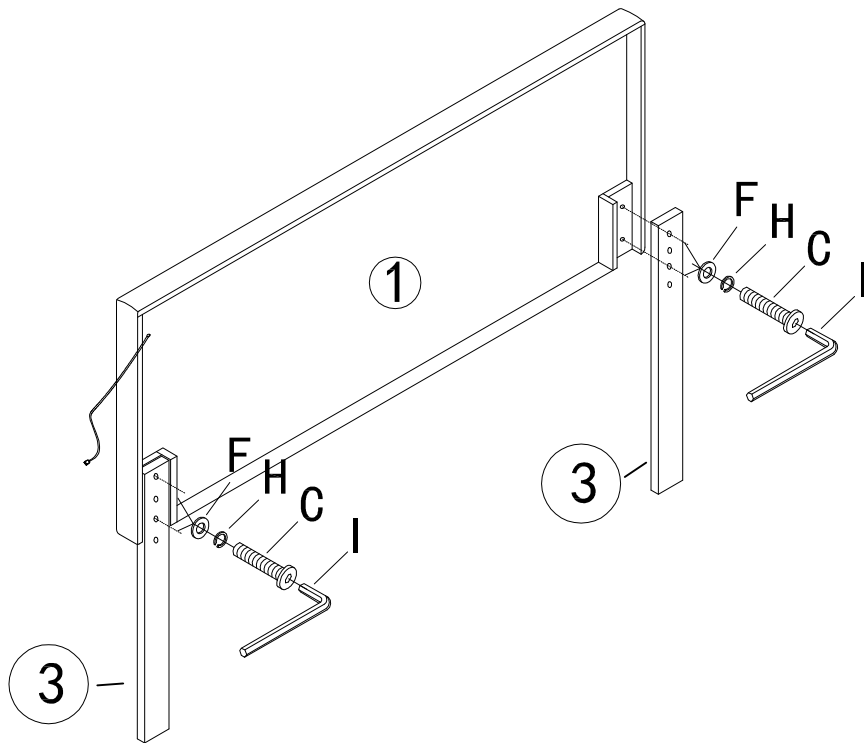
Screw in by hand and leave a distance of 2-3mm.







	D x 12PCS
	G x 12PCS
	J x 1PC

	E x 4PCS
---	----------

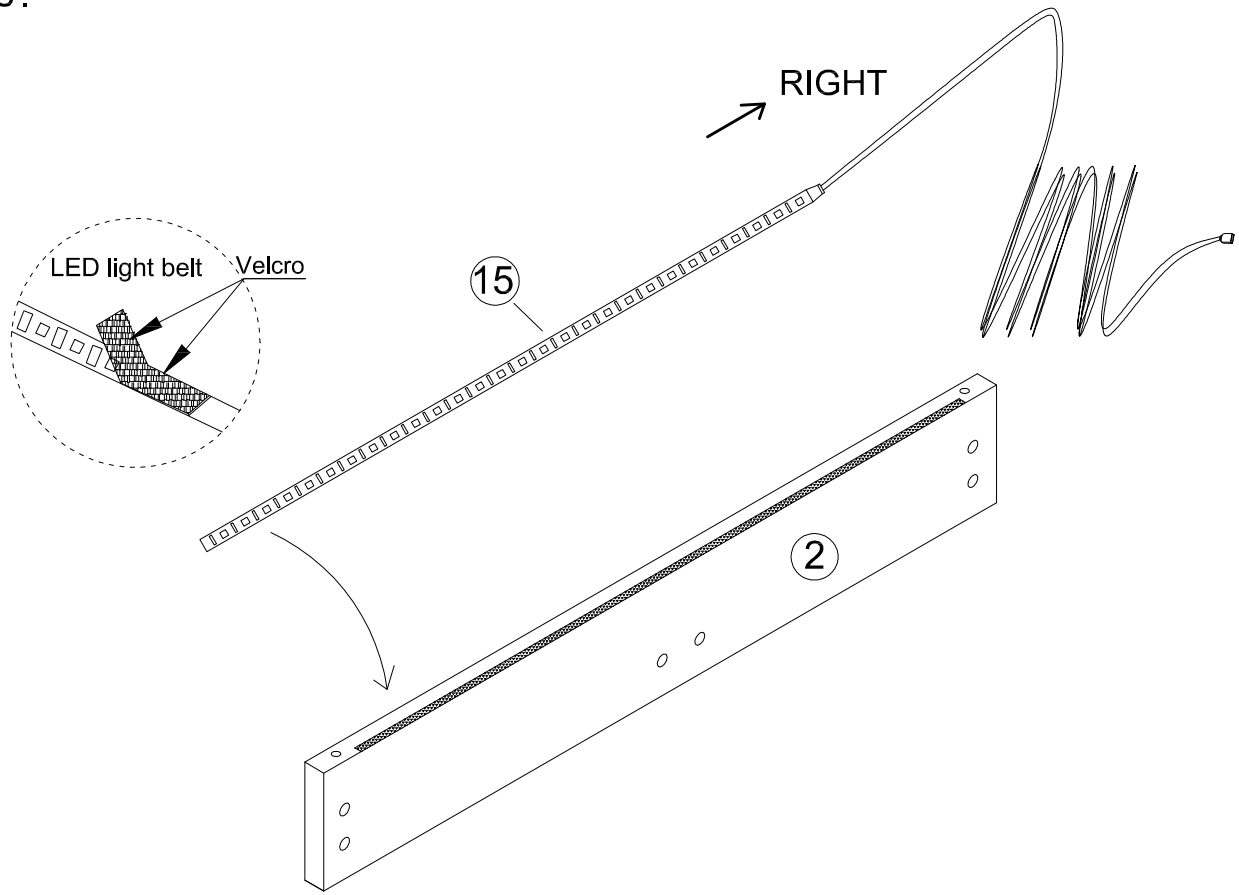
STEP 7:



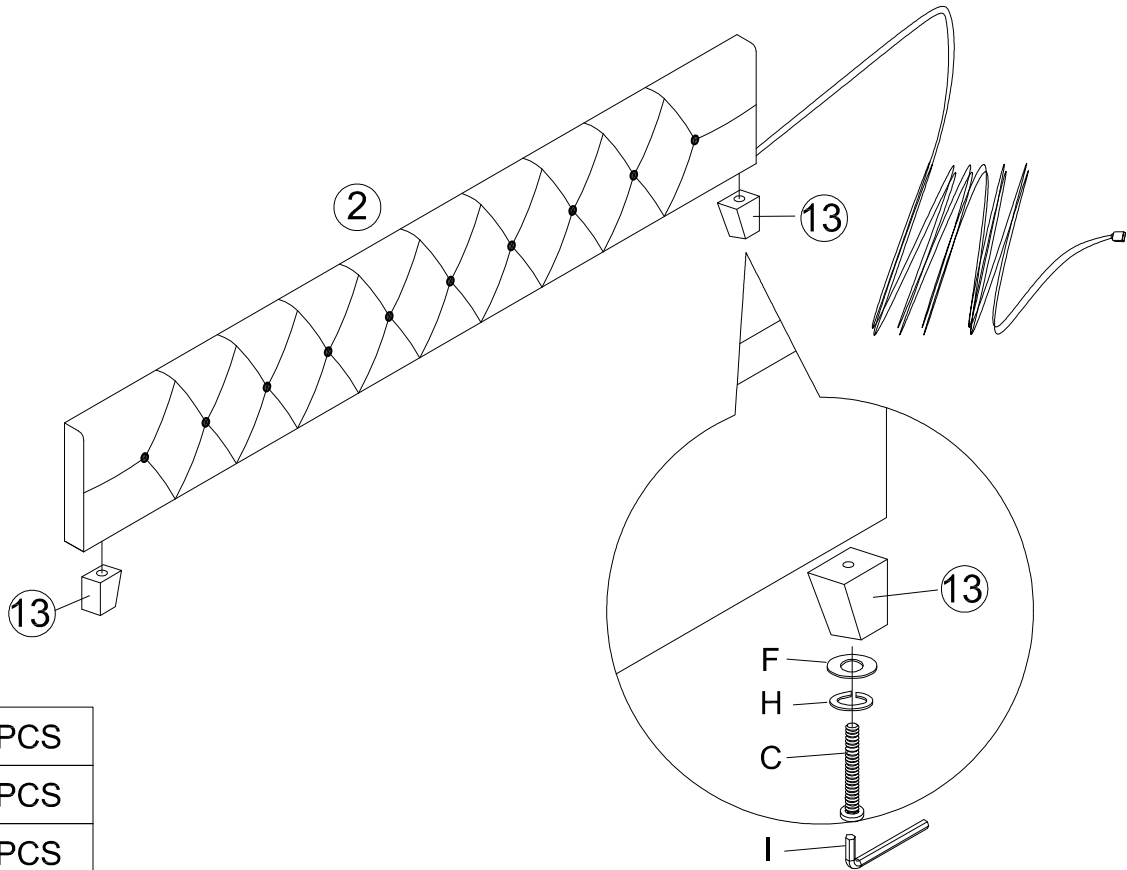
	C x 4PCS
	H x 4PCS
	F x 4PCS
	I x 1PC





Assembly Steps

STEP 8:



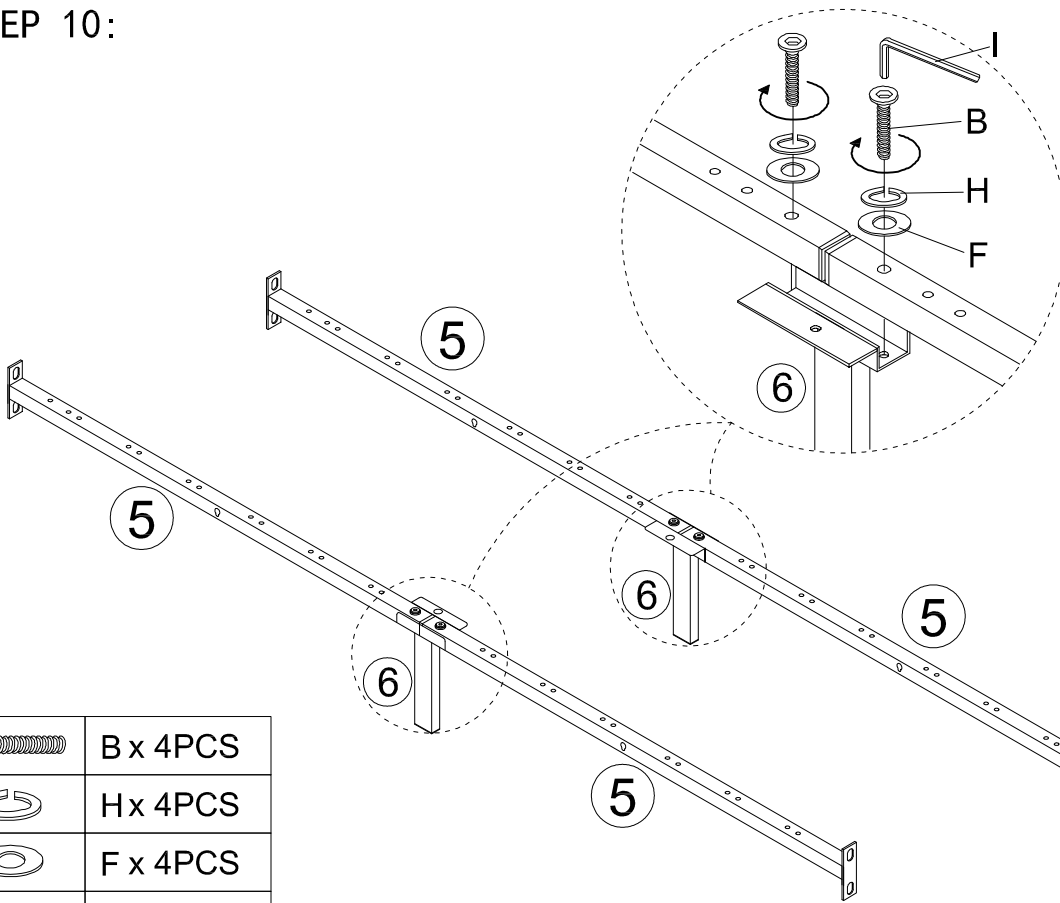
STEP 9:







	C x 2PCS
	H x 2PCS
	F x 2PCS
	I x 1PC

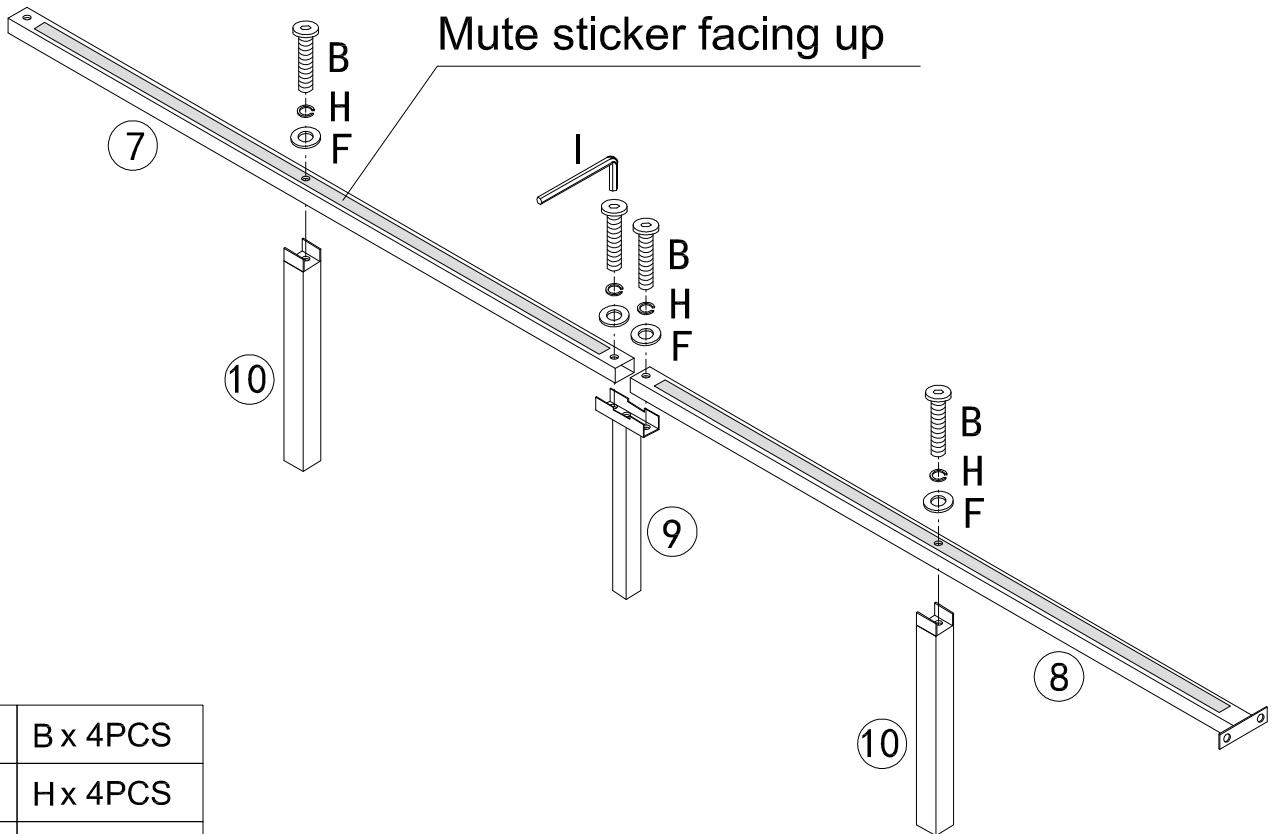
Assembly Steps





STEP 10:



	B x 4PCS
	H x 4PCS
	F x 4PCS
	I x 1PC

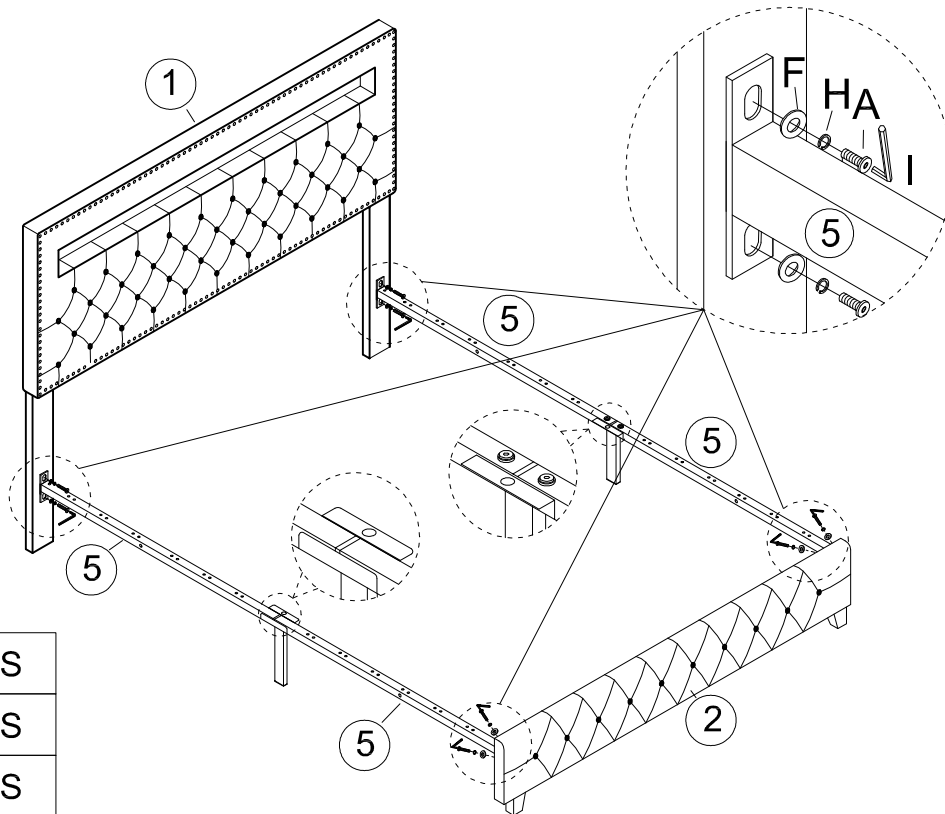
STEP 11:







	B x 4PCS
	H x 4PCS
	F x 4PCS
	I x 1PC

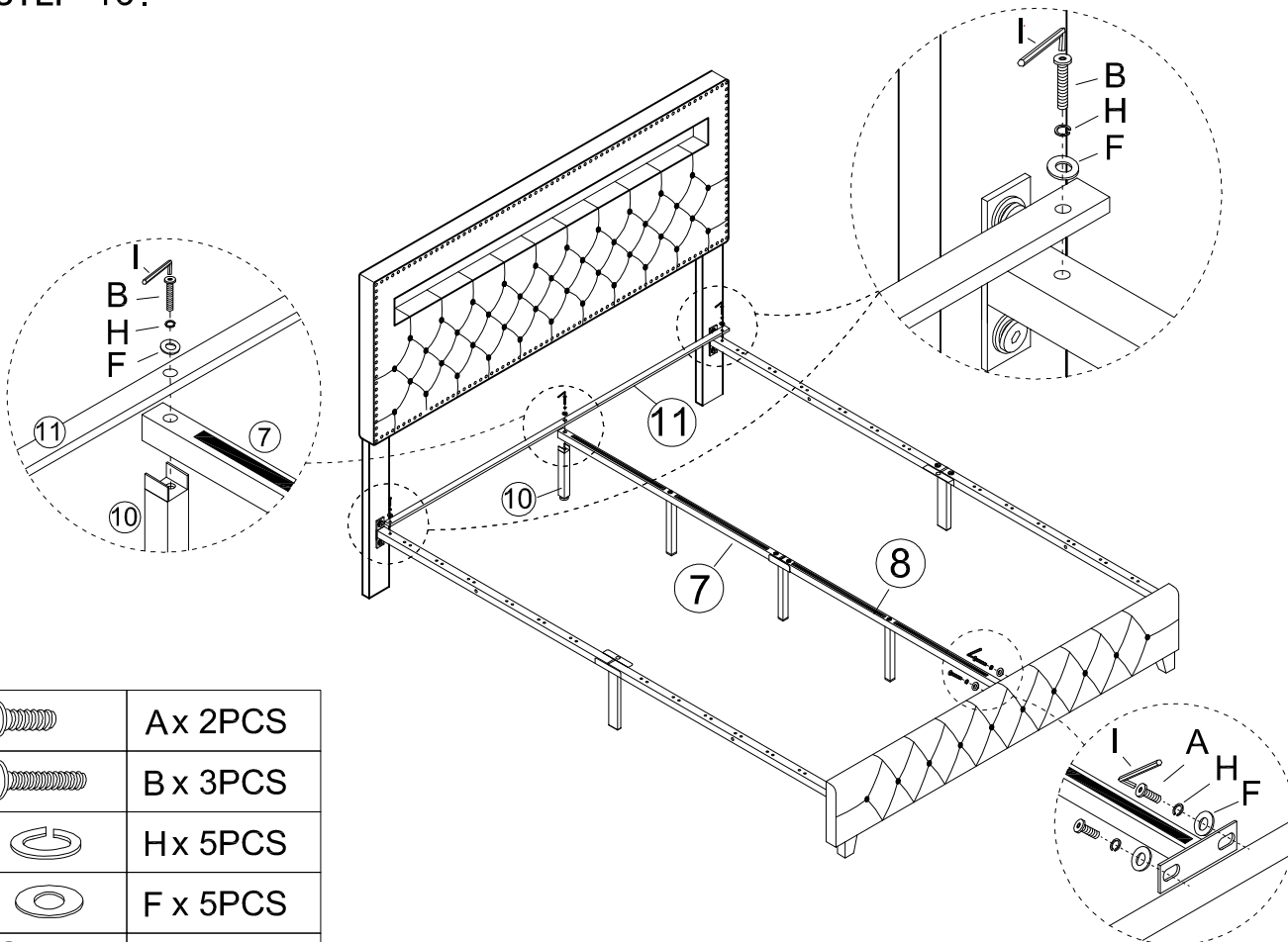
Assembly Steps






STEP 12:



	A x 8PCS
	H x 8PCS
	F x 8PCS
	I x 1PC

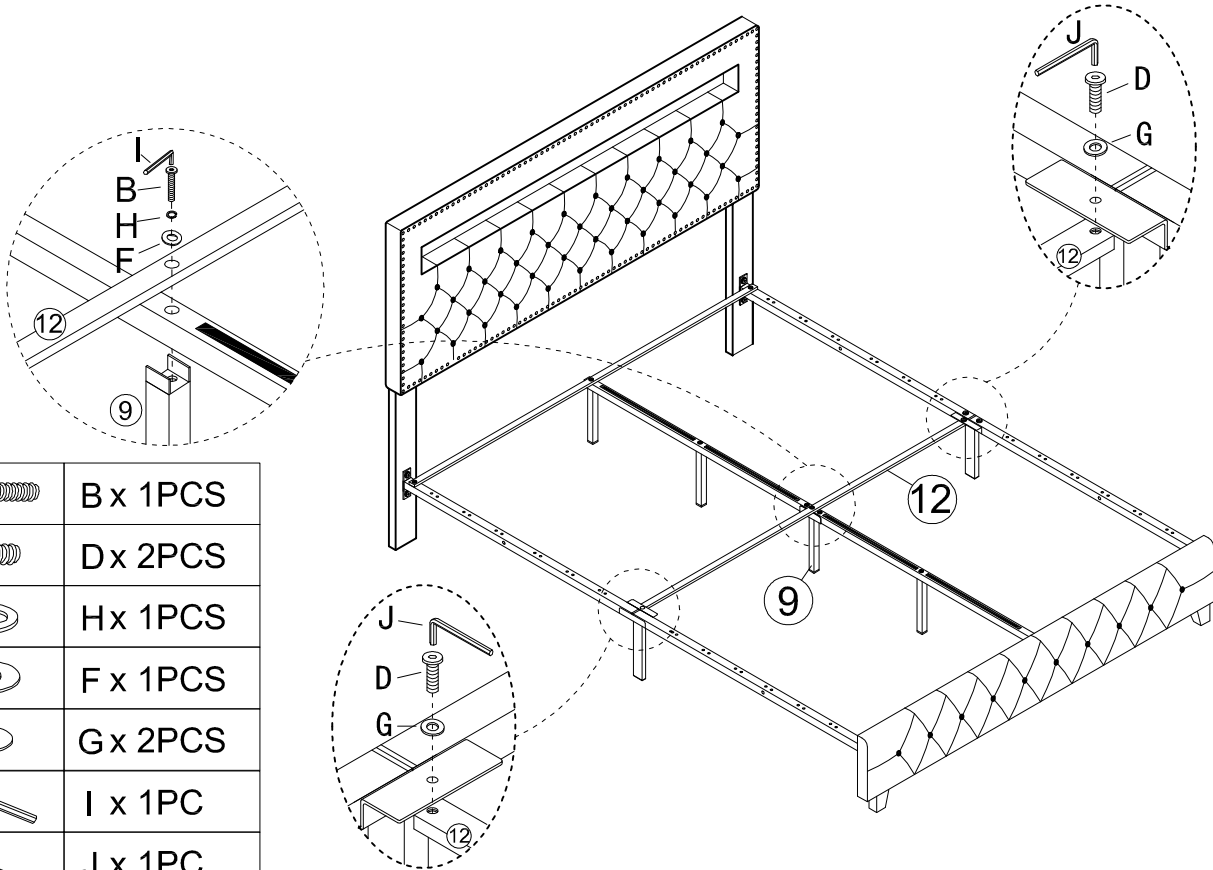
STEP 13:










	A x 2PCS
	B x 3PCS
	H x 5PCS
	F x 5PCS
	I x 1PC

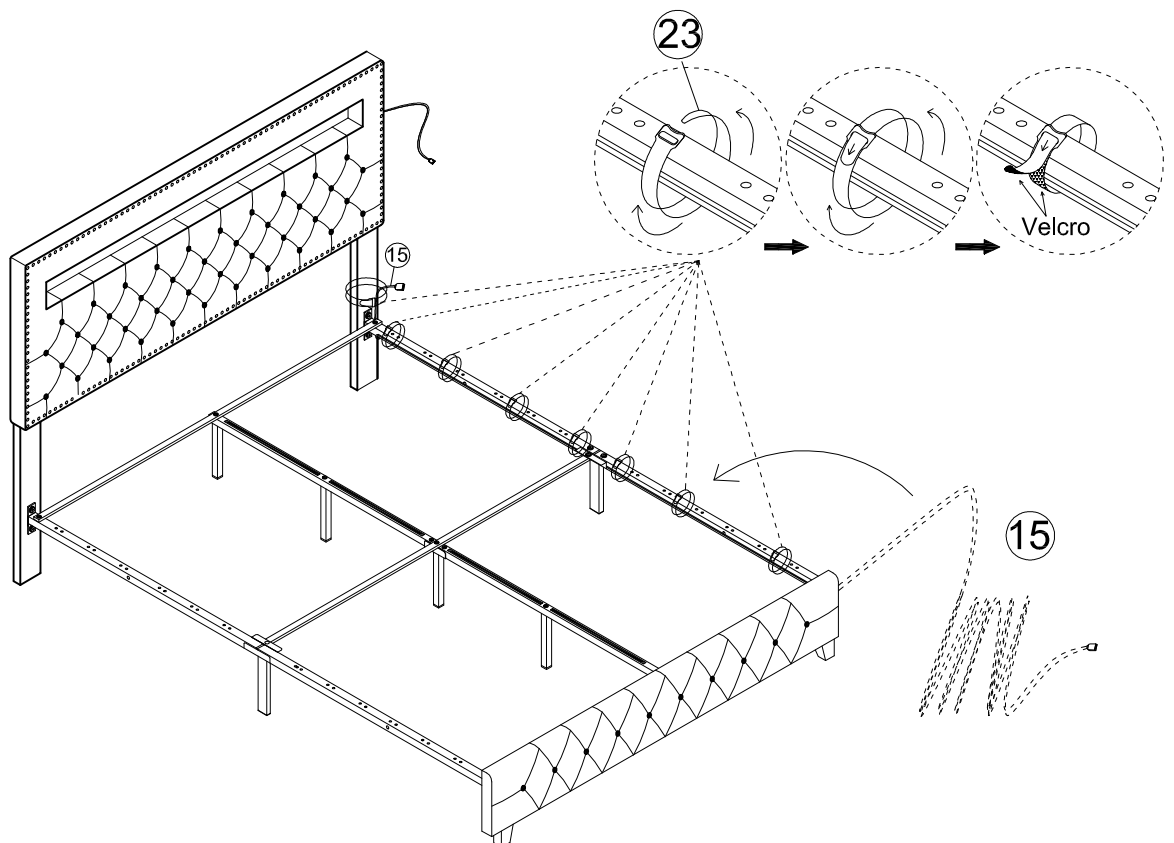
Assembly Steps

STEP 14:



	B x 1PCS
	D x 2PCS
	H x 1PCS
	F x 1PCS
	G x 2PCS
	I x 1PC
	J x 1PC

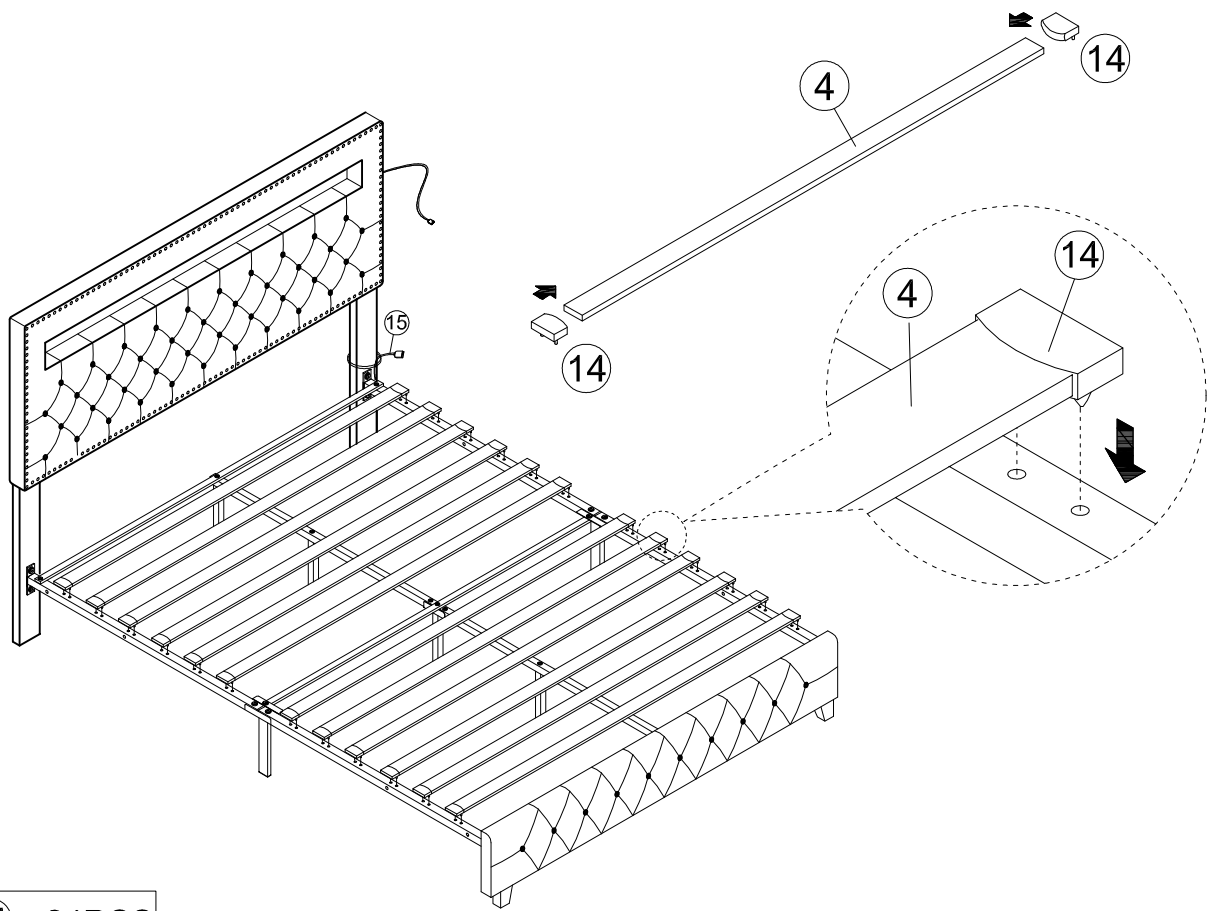
STEP 15: Install the LED light and it with a cable tie.



	23 x 8PCS
--	-----------

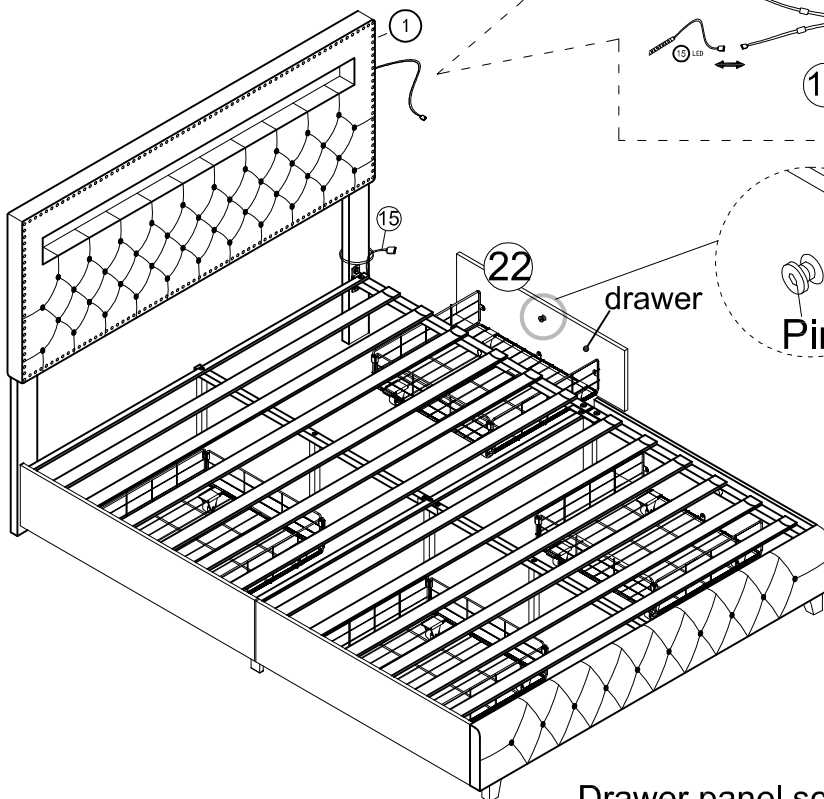
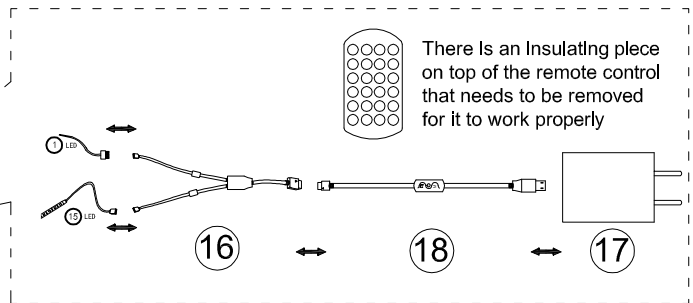
Assembly Steps

STEP 16:



14 x 24PCS

STEP 17:



Pin

Slot

There is a screw head on the drawer board. Hang them in the hole as shown in the figure.

Drawer panel screw hang into side cross beam hole.