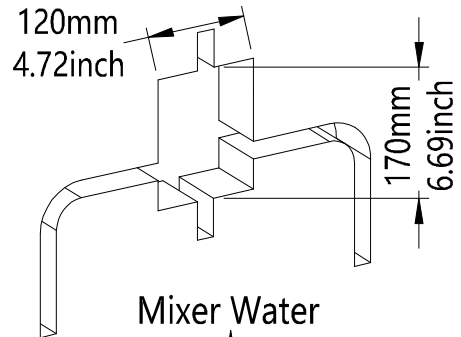




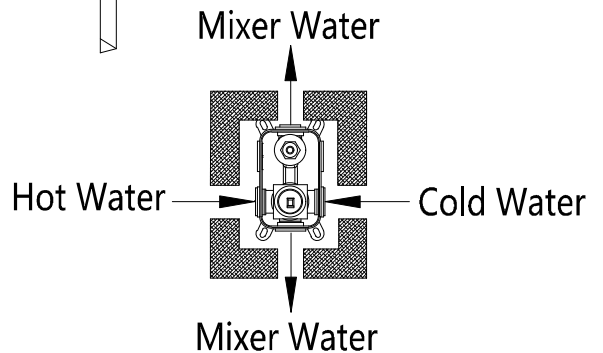
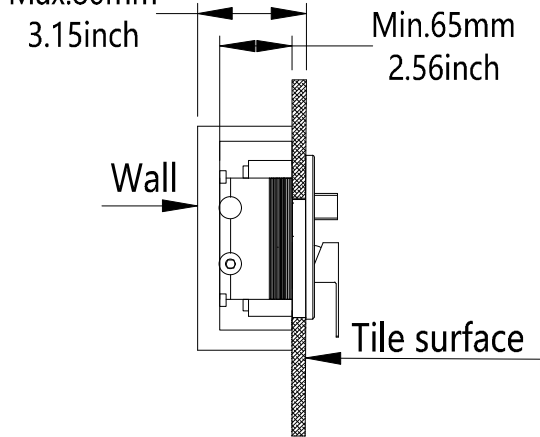
# Model:93108 Installation Instruction 2/5

## Installation of valve

1.The size of the embedded box that needs to be drilled is 4.72" \*6.69"

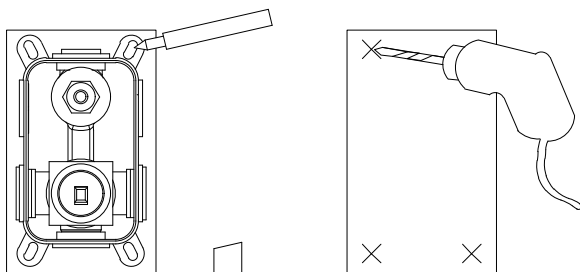


2.The depth of the embedded box is 2.56" - 3.15"  
It's better to drill the depth of 2.75"for blank wall  
Max.80mm

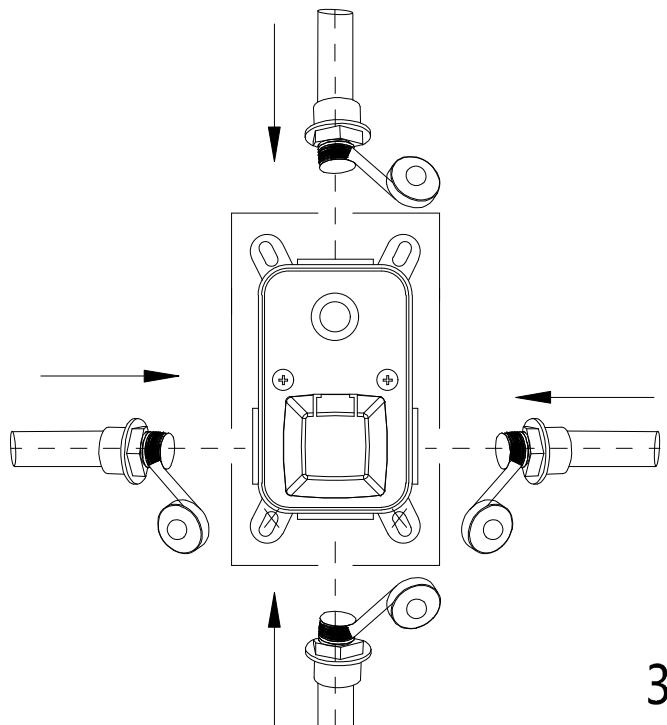


## Installation of Rough-in Valve

Stick the valve to the wall, mark the position of four wall mounting holes with a pencil, then install the valve in the hole.



Wrap the sealing tape around the thread of the water inlet pipe and screw it on.

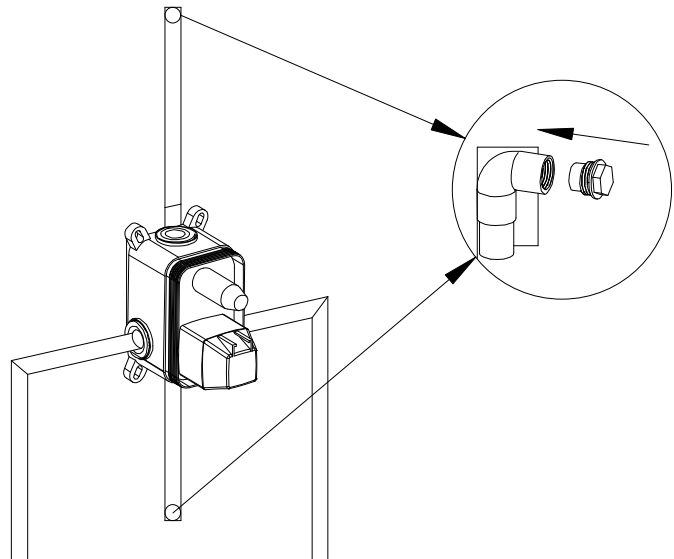
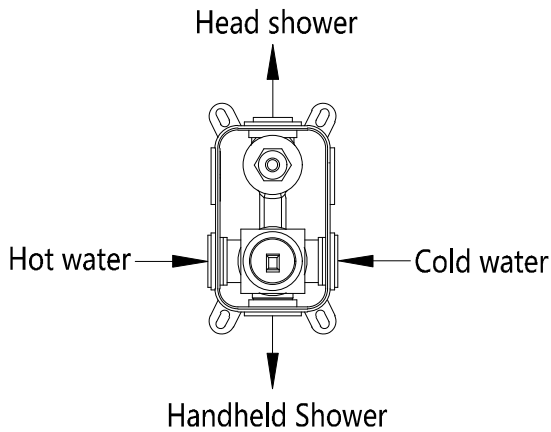


# Model:93108

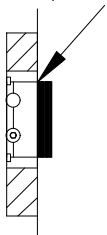
## Installation Instruction 3/5

### Water Testing And Sealing Testing

1. After the pipeline connection is completed, tighten the plug, open the switch to make the pipeline under pressure. Check the pressure resistance and sealing performance of the valve and pipeline to ensure that there is no leakage in the pipeline.
2. Close the switch, unscrew the plug to flush the impurities and sludge to avoid blockage and affect the water flow function; Make sure there is no problem with the pipeline. It can be connected to the head shower, hand-hold.

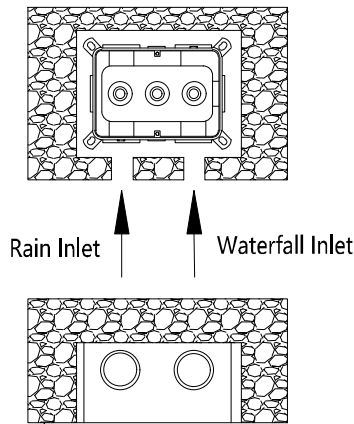


1. Cut away the part of the embedded box sticking out so that it is parallel with the wall.



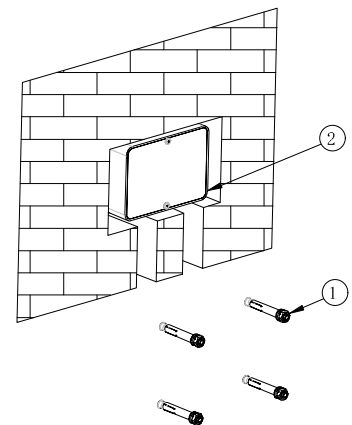
### Installation of the Head Shower

1. On the basis of plastic box, drill a hole on the wall according to the following photo, and pay attention to the connection between rain inlet and waterfall inlet.

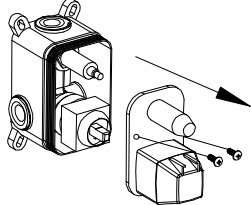


The tile surface is level with the plastic box surface, and the protective cover protrudes from the tile surface.

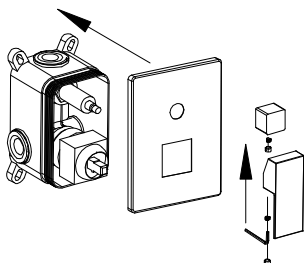
2. The fixed plastic box shall be level with reference to the level gauge, and the water pipe shall be connected for 24 hours to ensure sealing. Do not take off the protective cover when sealing the wall with cement to avoid cement splashing on the threads of copper parts.



2. Remove the screws and take out the protective cover.



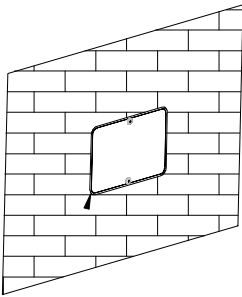
3. The panel and the handle are connected to the control valve.



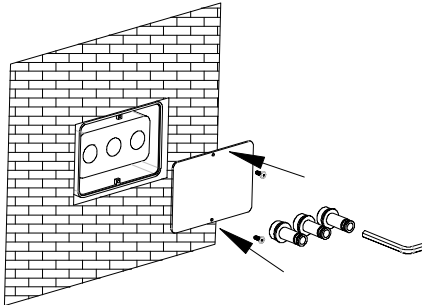
# Model:93108

## Installation Instruction 4/5

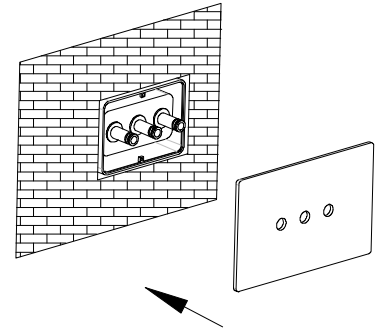
3.The tile surface is level with the plastic box surface, and the transparent protective cover protrudes from the tile surface.



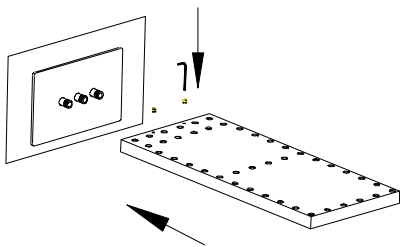
4.Install the main body of the shower head, take off the protective cover, twist off the baffle, and then lock the water inlet part. The middle rod is a support rod (no water would pass). Drain the garbage and dirt in the pipeline through water.



5.Install the decorative panel. Reminder: Before sealing the plastic box inside the wall, install the shower according to steps 4-5-6 to test the levelness, verticality, depth and sealing, so as to avoid the trouble of breaking the wall after finding problems after sealing the wall.

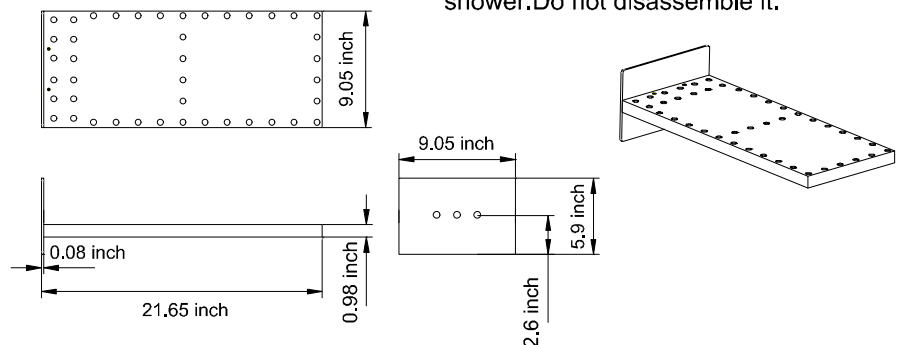


6.Insert the main body of the shower head according to the corresponding water inlet part.Lock the screws with Allen key, and the installation is completed.



Final finished product

Reminder: When installing this product,it is not necessary to loosen the hexagon screws on the back cover of the main body of the shower.Do not disassemble it.

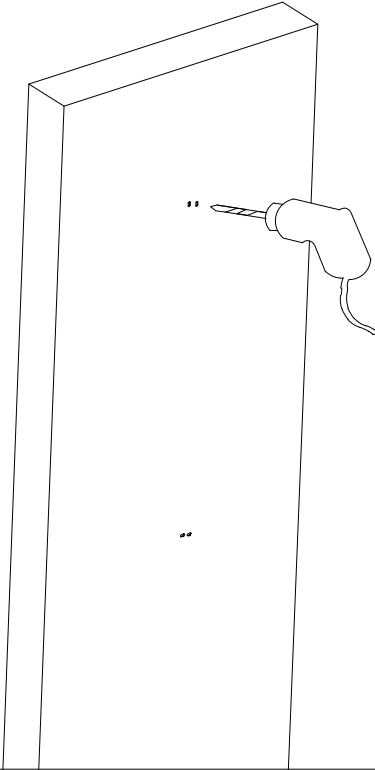


# Model:93108

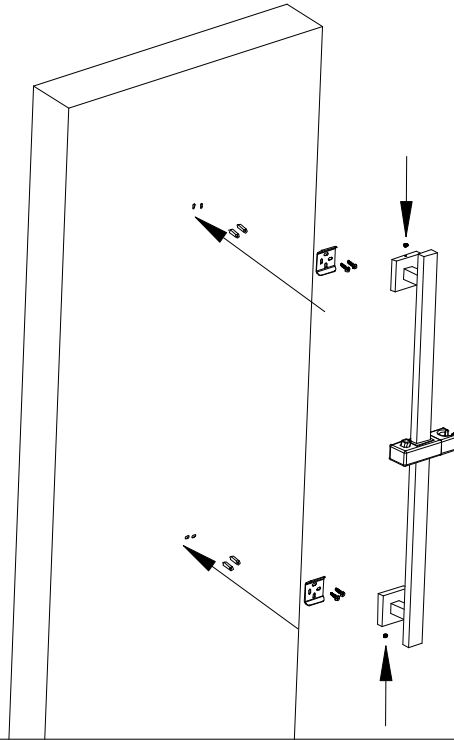
## Installation Instruction 5/5

### Sliding bar and shower seat installation

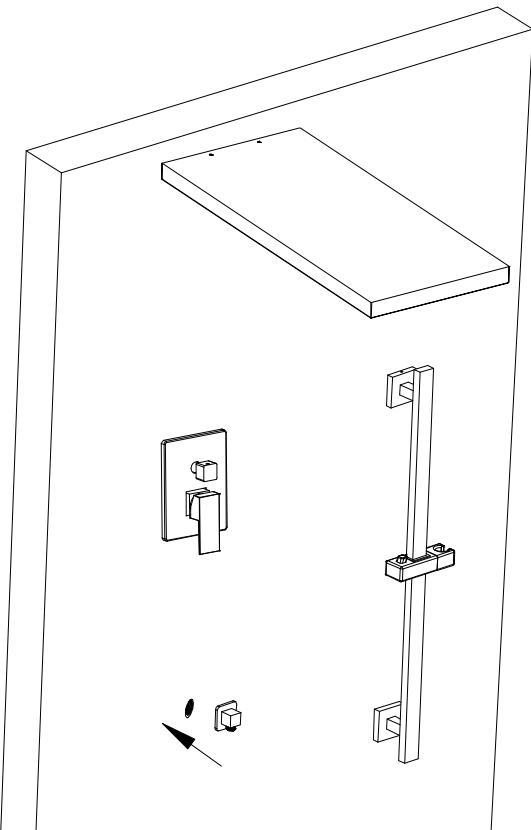
1. Mark 4 holes on the mounting wall, drill with an electric drill, and drive in 4 expansion screw sets with a hammer.



2. Place the fixed piece, tighten the 4 wall screws, then press the sliding bar horizontally against the wall, and tighten it with the small hexagon socket screws of the fixed seat.



3. Screw on the water outlet connector into the reserved pipe section



4. Connect the handheld shower and hose to the water outlet

