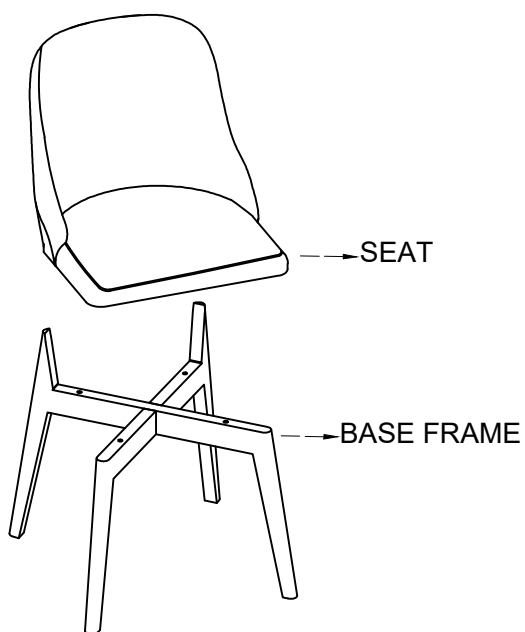
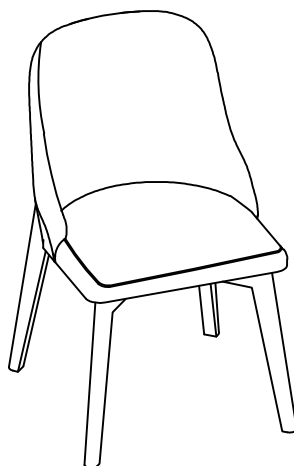
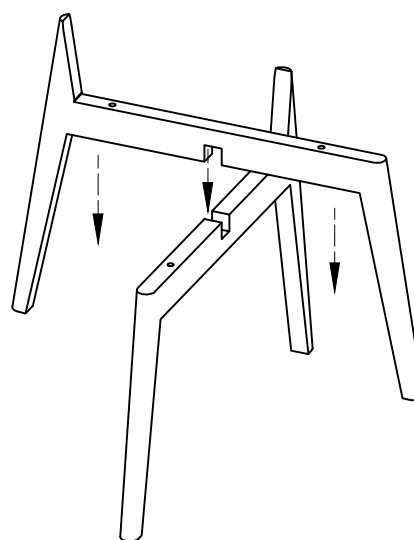


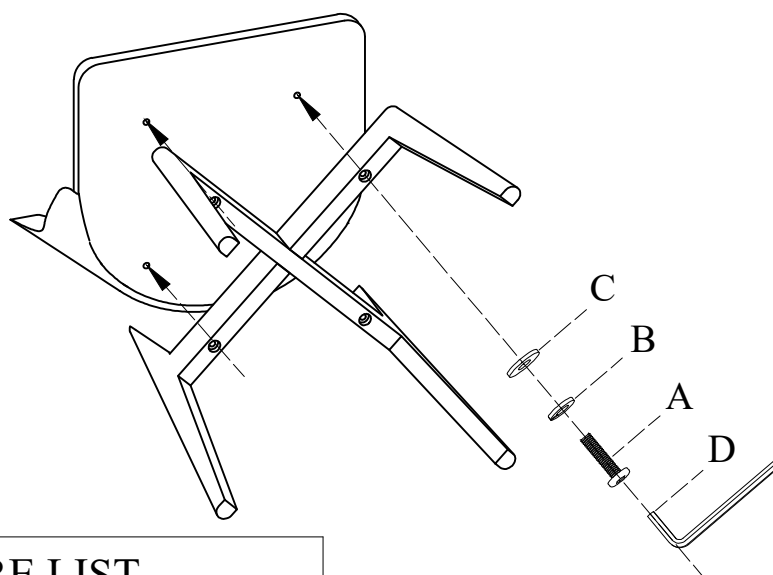
ASSEMBLY INSTRUCTIONS






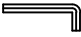
Step 1



Step 2



HARDWARE LIST

A		Bolt (Ø5/16"*2-1/2")	4pcs
B		Lock Washer (Ø5/16")	4pcs
C		Flat Washer (Ø5/16"*Ø3/4")	4pcs
D		Allen Wrench (5mm)	1pc